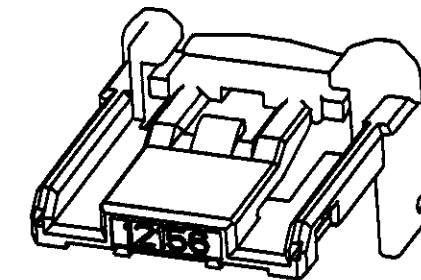
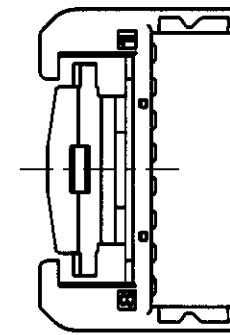
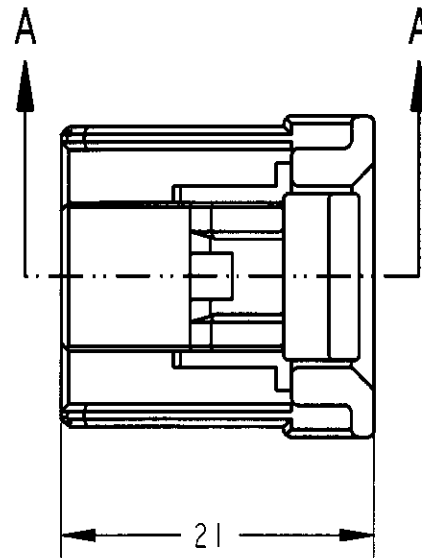
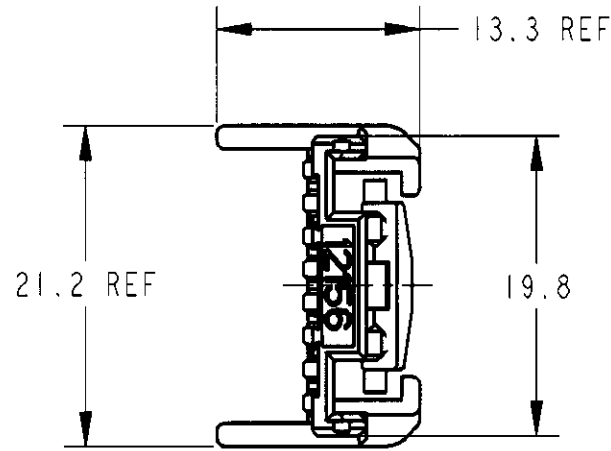
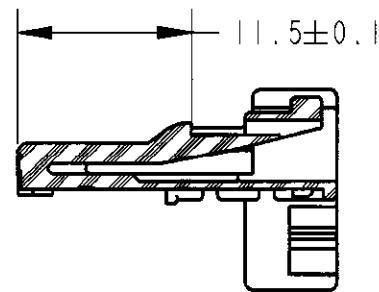


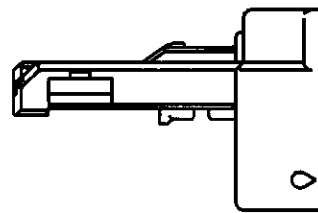
LOC	DIST	REVISIONS					
		P	LTR	DESCRIPTION	DATE	DWN	APVD
J		0		作成 RELEASED (FJ00-0314-00)	22FEB00	S.A	N.S



スケール 2:1



断面 A-A



- 1. 取扱説明書: 411-5912
- 2. 本品はプラグアッセンブリ型番 1318690 を装着して使用する。
- 3. 嵌合相手型番: 1318382

- 1. INSTRUCTION SHEET: 411-5912
- 2. LOCK HOUSING MUST BE USED WITH PLUG ASSEMBLY P/N: 1318690
- 3. PART NUMBER OF HOUSINGS TO BE MATED: 1318382

NATURAL	1318694-1
COLOR	PART NUMBER

THIS DRAWING IS A CONTROLLED DOCUMENT FOR AMP INCORPORATED. IT IS SUBJECT TO CHANGE AND THE CONTROLLING ENGINEERING ORGANIZATION SHOULD BE CONTACTED FOR THE LATEST REVISION.		DWN S. AMEMIYA 22FEB00	<b>AMP</b> Tyco Electronics AMP K.K. Kawasaki, Japan											
DIMENSIONS: 単位: mm		CHK N. SAI 22FEB00												
TOLERANCES UNLESS OTHERWISE SPECIFIED: 一般公差 = ±0.3		APVD N. SAI 22FEB00	NAME 名称											
<table border="1"> <tr><td>1 PLC</td><td>±</td></tr> <tr><td>2 PLC</td><td>±</td></tr> <tr><td>3 PLC</td><td>±</td></tr> <tr><td>4 PLC</td><td>±</td></tr> <tr><td>ANGLES</td><td>±3°</td></tr> </table>		1 PLC	±	2 PLC	±	3 PLC	±	4 PLC	±	ANGLES	±3°	PRODUCT SPEC 製品規格 108-5660	16POSITION LOCK HOUSING 025 IDC CONNECTOR	
1 PLC	±													
2 PLC	±													
3 PLC	±													
4 PLC	±													
ANGLES	±3°													
MATERIAL 材料	PBT	APPLICATION SPEC 取付適用規格 114-5276	SIZE A3	CAGE CODE 番号 00779										
FINISH 仕上		WEIGHT 1.5g	DRAWING NO C=1318694											
SEE TABLE		CUSTOMER DRAWING	SCALE 尺度	SHEET 1 OF 1										
				REV 0										