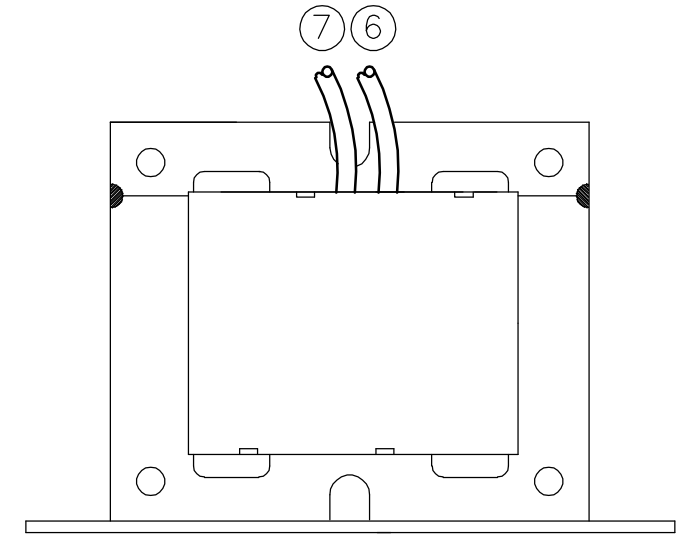
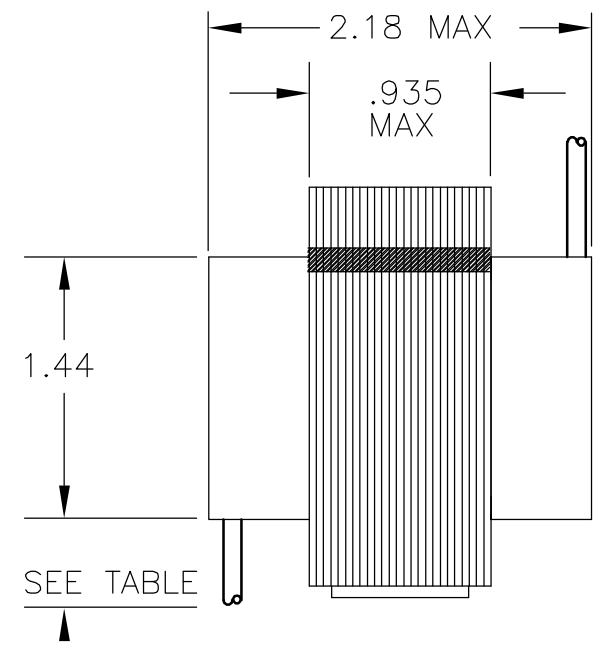
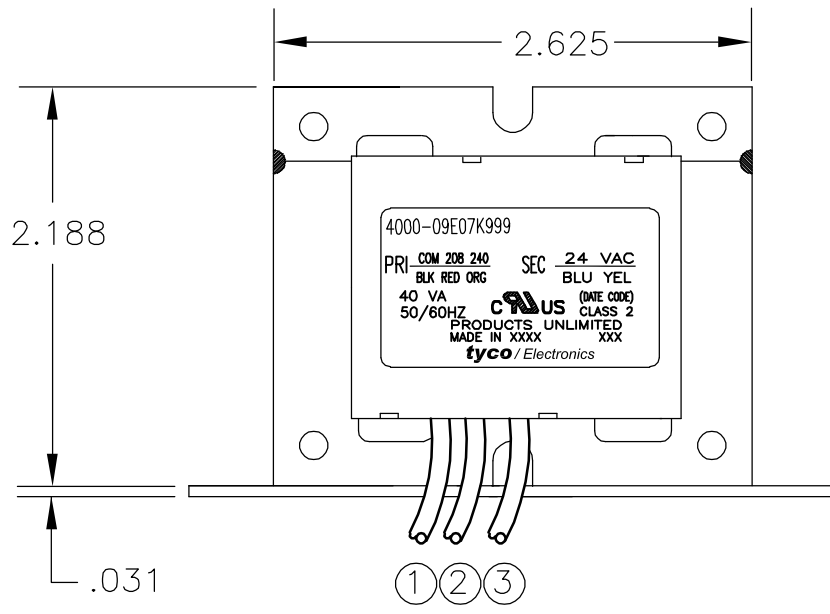
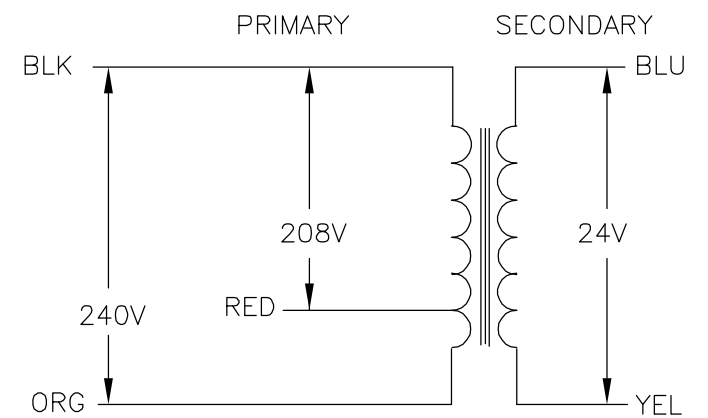
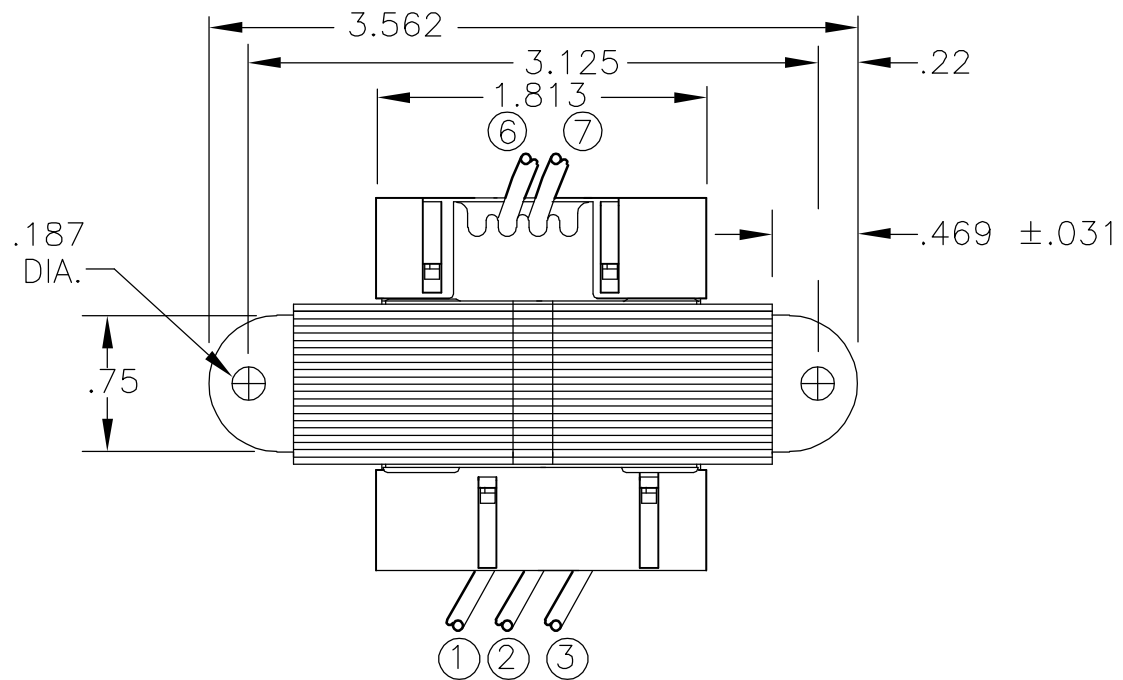


LOC	DIST	REVISIONS					
GZ	00	P	LTR	DESCRIPTION	DATE	DWN	APVD
		B		0611-0155-03	16MAY2003	TCS	KH

ALL LEADS 18AWG-UNLESS OTHERWISE SPECIFIED					NOTES: 1. DIMENSIONS FOR REFERENCE ONLY. 2. ALL LEADS +1"/-0" TOL. 3. STRIP TOL. ±1/32 4. WINDING PROTECTION-INHERENTLY LIMITING				CERTIFICATION: UL & CUL FILE NO. E87824				
PRIMARY LEAD COLOR CODE					SECONDARY LEAD COLOR CODE								
LEAD NO.	1	2	3	4	5	LEAD NO.	6	7	8	9			
VOLTAGE	COM	208	240			VOLTAGE	24	VAC					
COLOR	BLK	RED	ORG			COLOR	BLU	YEL					
LENGTH	12.0	12.0	12.0			LENGTH	12.0	12.0					
STRIP LENGTH	.50	.50	.50			STRIP LENGTH	.50	.50					



TYCO PART NUMBER
2-1611455-4

THIS DRAWING IS A CONTROLLED DOCUMENT.		DWN	2/11/97		Tyco Electronics Corporation		
		CHK	-		Harrisburg, PA 17105-3608		
DIMENSIONS: INCHES		APVD	-		NAME		
TOLERANCES UNLESS OTHERWISE SPECIFIED:		PRODUCT SPEC	-		-		
0 PLC ± -		APPLICATION SPEC	-		SIZE	CAGE CODE	DRAWING NO
1 PLC ± -		WEIGHT	-		A3	00779	C-4000-09E07K999
2 PLC ± -		CUSTOMER DRAWING		SCALE	SHEET	OF	REV
3 PLC ± -				NTS	1	1	B
4 PLC ± -							
ANGLES ± -							
MATERIAL							
FINISH							