



SNAP Switch

Remote Wireless Light Switch

SNAP® Switch (LP301-001) is a wall-mounted, wireless, on/off or dimmer switch for local control of an individual or group of lighting fixtures. SNAP Switch is part of Synapse's **SNAP Lighting Cloud Service**, an Internet-enabled, wireless remote control and monitoring service for secure indoor or outdoor lighting applications.

These low-cost, remote control switches are easy-to-install and can be grouped or invoked together, such as when an alarm event occurs. There is no latency from when you touch a switch to when the lighting system responds — it's instantaneous.

SNAP Switch installs into any existing USA type wall box, so it is easy to replace existing switches. SNAP Switch is wired for power by using the supplied Mini Power Adaptor and converting 100V-277V that is already present in the box to the 6V DC for the SNAP Switch. No special tools are needed, nor special training, and the installer does not have to commission the switch during installation.

SNAP LightSense Features

- Retro-fit design, direct replacement of conventional light switch or dimmer
- Remote control On/Off and dimming
- Local Up/Down dimming button
- LED indicator for status indication
- Fuse protection
- RoHS Compliant
- FCC, IC, CE Certified

For more information call or visit:

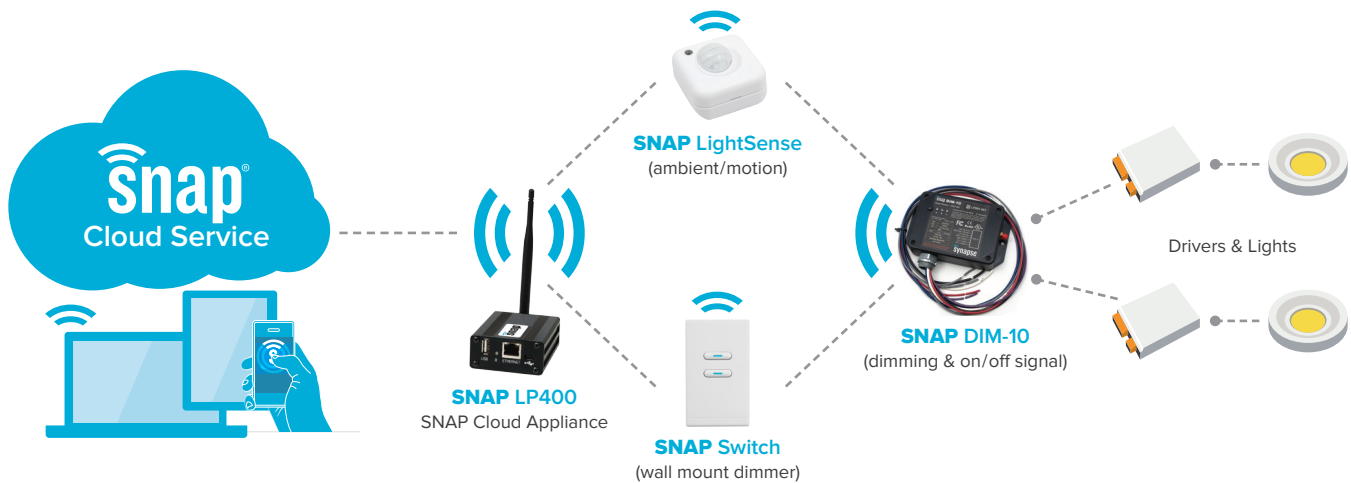
(877) 982-7888 // synapse-wireless.com

Proven Solutions for the
Internet of Everything

**synapse**®

SNAP Switch

SNAP Cloud Lighting Service

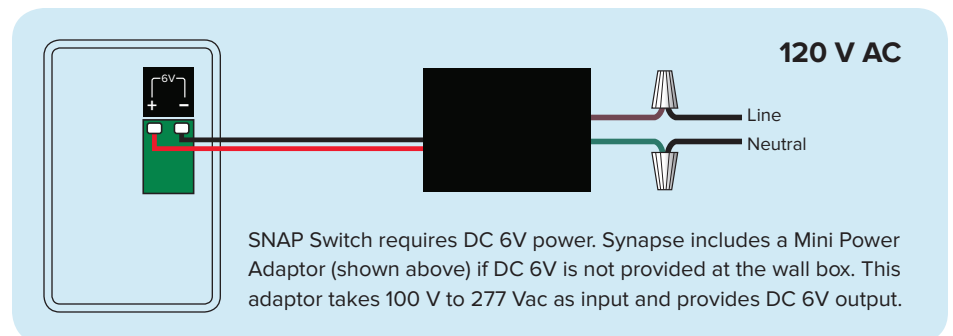


SNAP Switch Advantages:

- No wired network
- Unlimited control points
- Smooth full dimming control from 0% to 100%
- Supports multiple gang switches
- Silent
- Easy to install
- Perfect for renovation and new projects
- No drilling, no heavy work
- Economical
- Secured transmission
- Status control on all panels and remotes
- No embedded programming
- High speed
- Sleeping mode (no constant radio emissions)
- Unlimited deployment

SNAP Switch Specifications:

- Power Supply 110V – 277V +/- 10% (USA)
- Functions On/Off, dimming Up/Down control
- Size: 87 mm x 87 mm x 38 mm
- Operating temperature 0°C – 40°C
- SNAP Mesh Network
- LoS Range 100M (300 Feet)
- Compliance RoHS (2002/95/CE)
- Standard IEEE 802.15.4 – 2.4 Ghz /AES 128
- Warranty 3 Years



SNAP Switch is based on the award-winning Synapse SNAP network operating system. Since SNAP is a true, peer-to-peer mesh network, there is no single point of failure in the lighting system. All SNAP lighting products create a completely wireless system — no control wires need to be installed. This makes your SNAP Lighting Cloud Service a completely scalable system, ideal for new construction as well as renovation or additions. SNAP also uses network encryption to protect your lighting network.