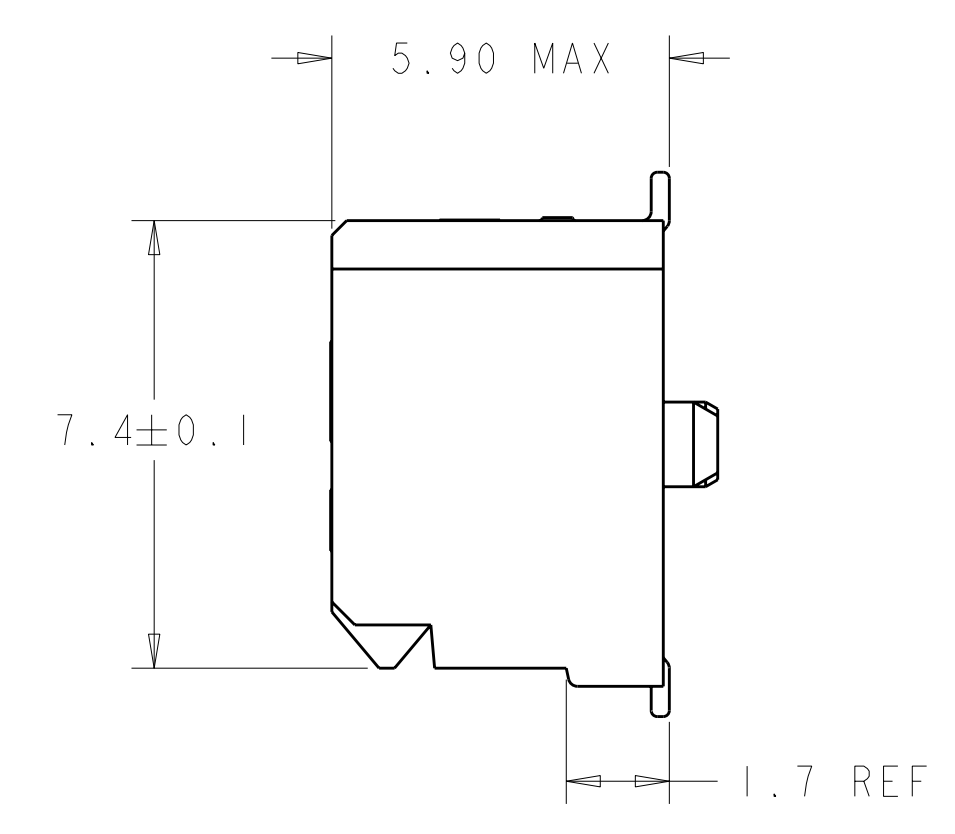
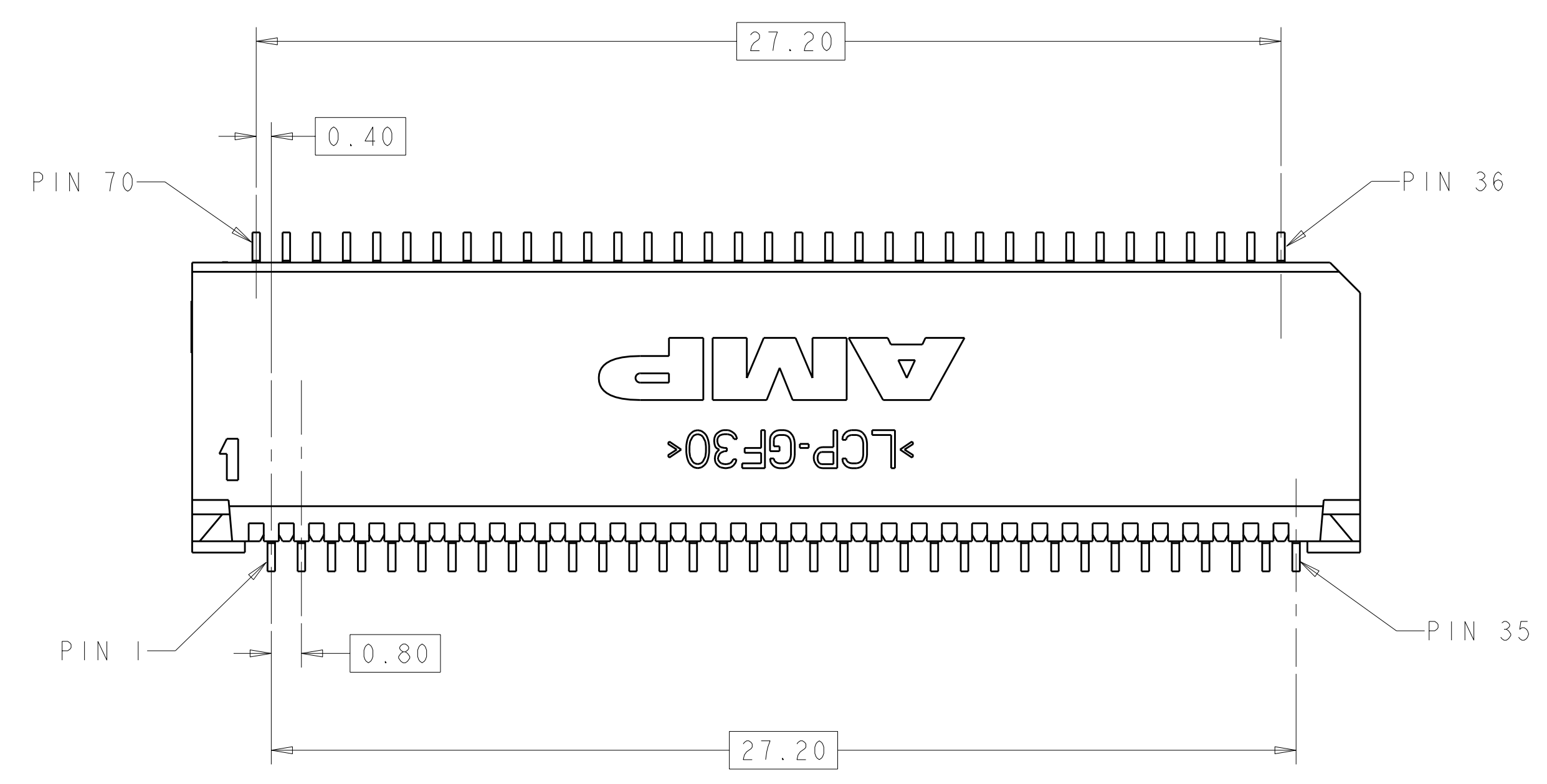
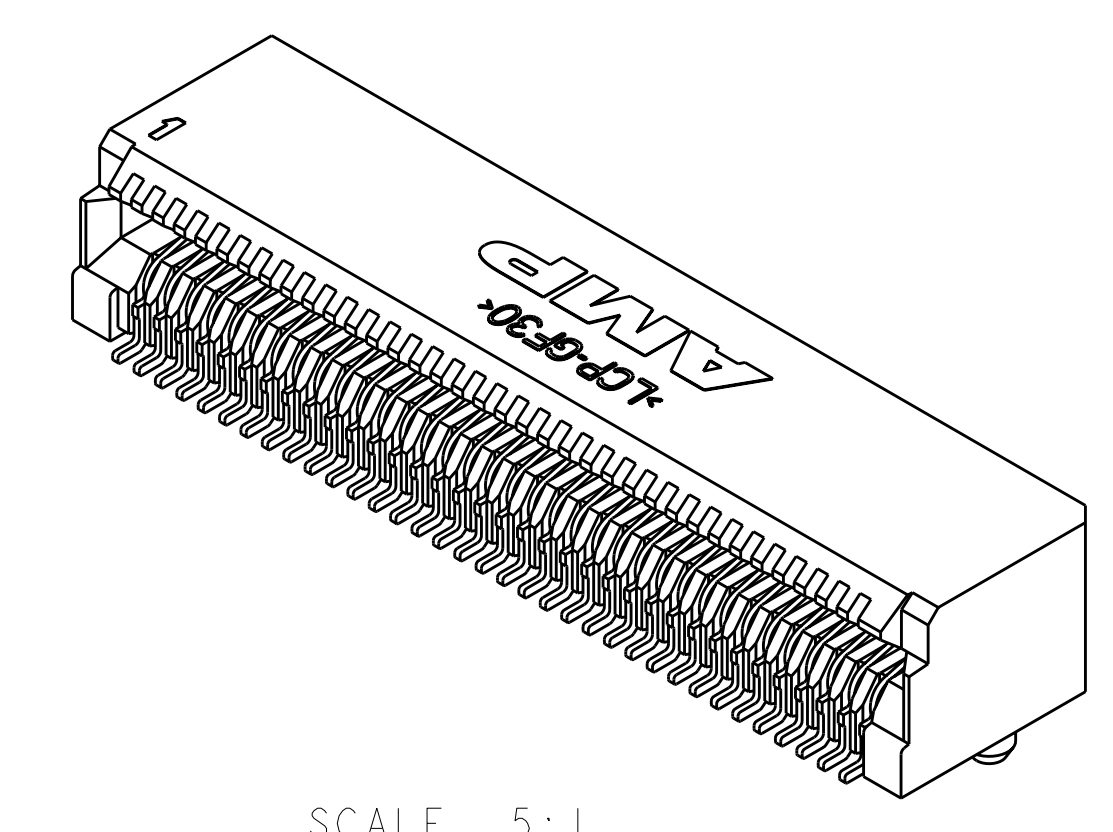


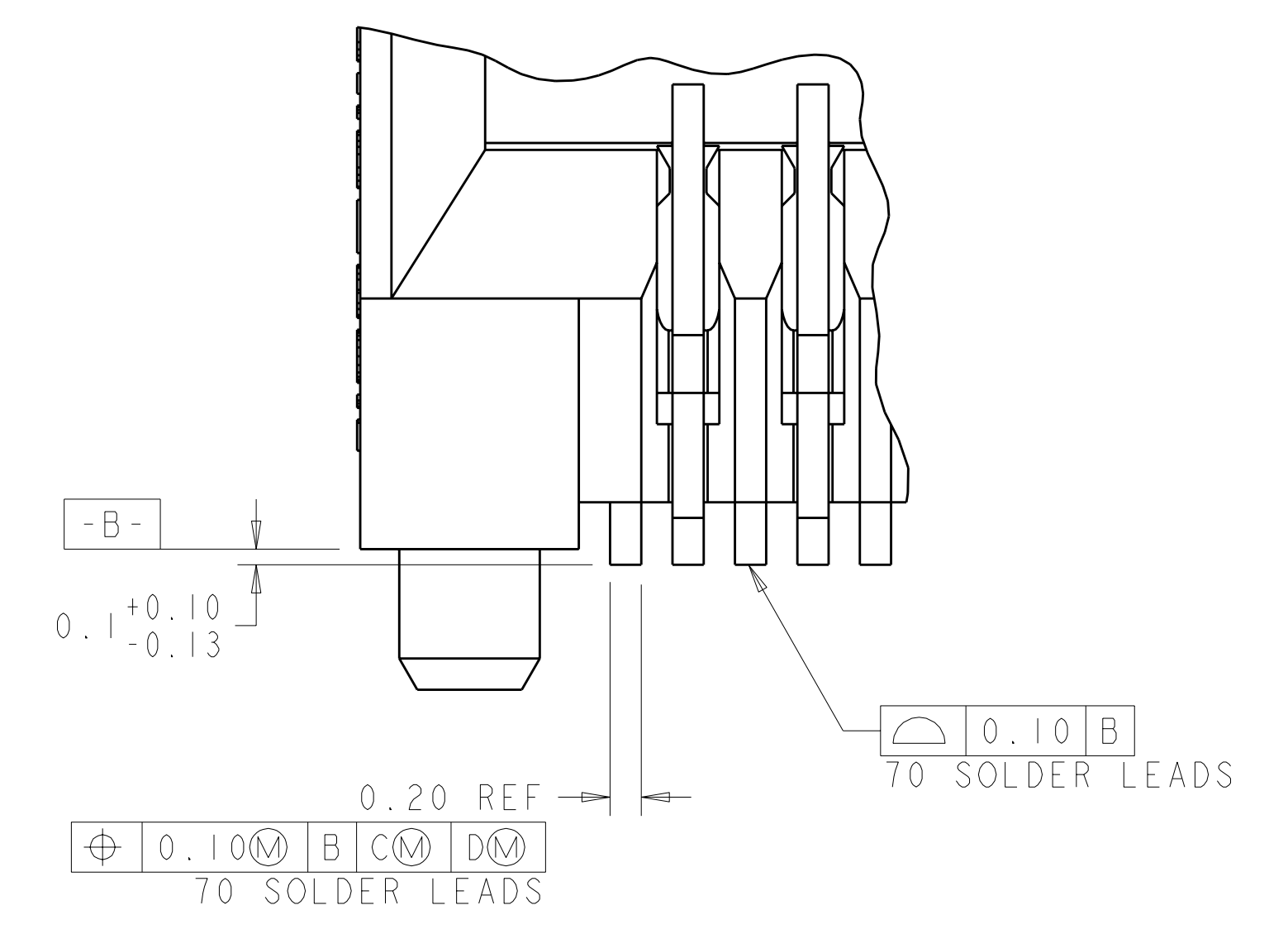
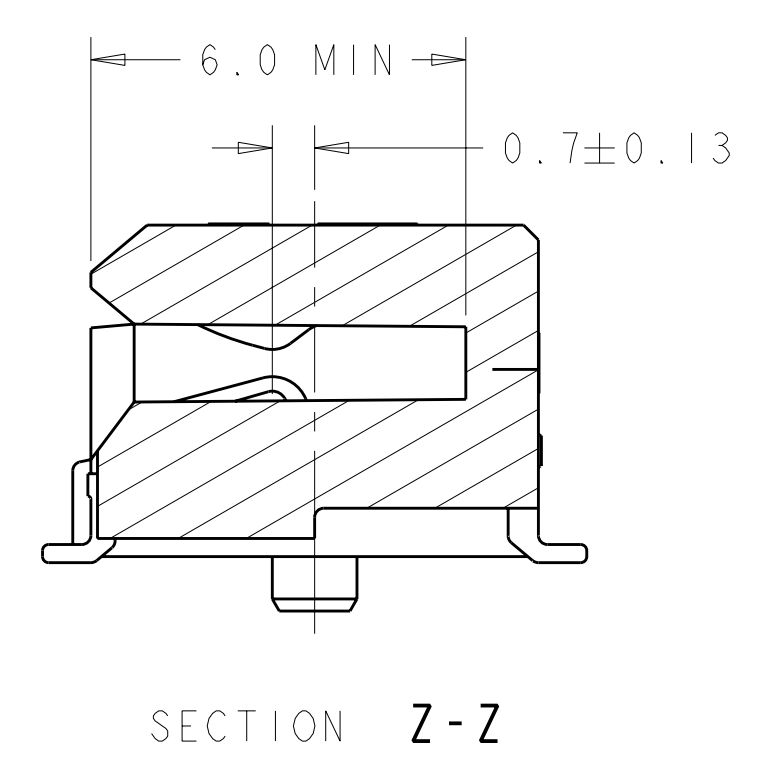
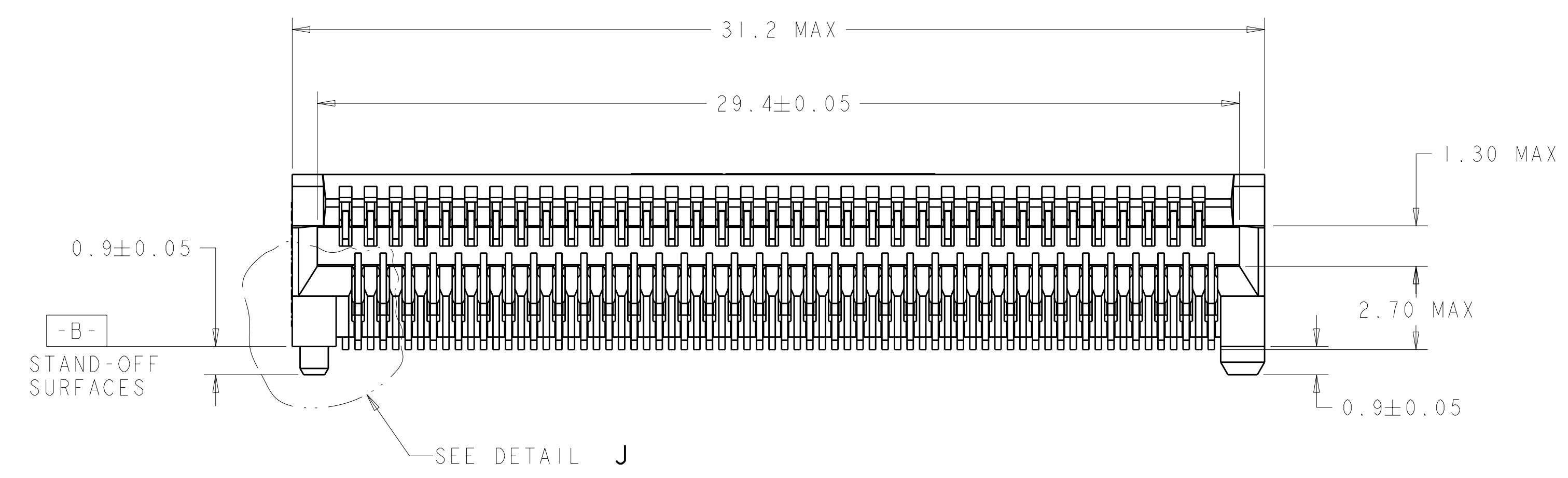
LOC	DIST	REV	DATE	BY	APPD
ES	00				
REVISIONS					
REV	DATE	DESCRIPTION	DATE	BY	APPD
A	22FEB06	REVISED PER EC 0513-0307-05	22FEB06	BM	SS
B	23FEB06	REVISED PER EC 0513-0220-05	23FEB06	BM	SS
C	15NOV06	REVISED PER ECO-06-011603	15NOV06	BM	SS
D	25OCT07	REVISED PER ECR-07-025522	25OCT07	LL	SY



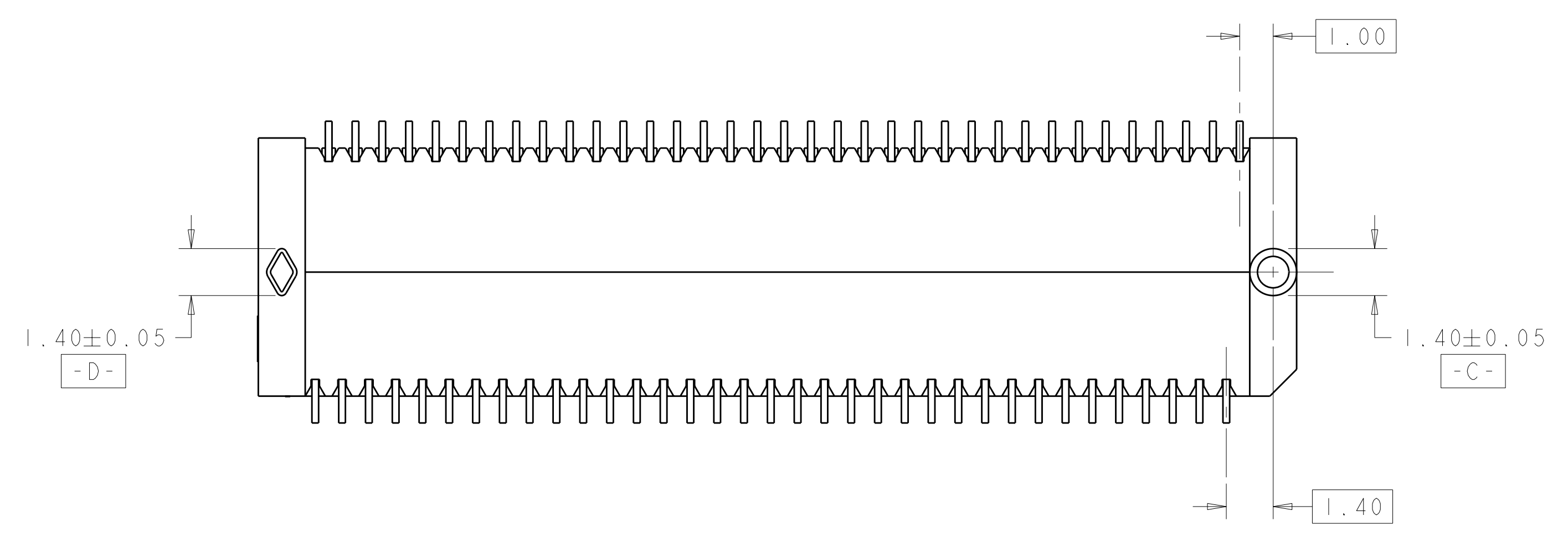
- PART COMPATIBLE WITH XENPAK & X2 MSA. REFER TO THESE MSA'S FOR DIMENSIONS NOT SHOWN ON THIS PRINT.
- HOUSING: HIGH TEMPERATURE LCP, UL 94V-0 RATED, BLACK. CONTACTS: PHOSPHOR BRONZE.
- CONTACTS: 0.00076 MIN GOLD IN CONTACT AREA, 0.00013 MIN GOLD ON SOLDER AREA, OVER 0.0038 MIN NICKEL UNDERPLATE ON ENTIRE CONTACT. LUBRICANT ON GOLD PLATE CONTACT AREAS.
- PACKAGED 480 PIECES PER REEL.
- GROUND, POWER AND SIGNAL PAD ARRANGEMENT TO BE DETERMINED BY CUSTOMER.



SCALE 5:1



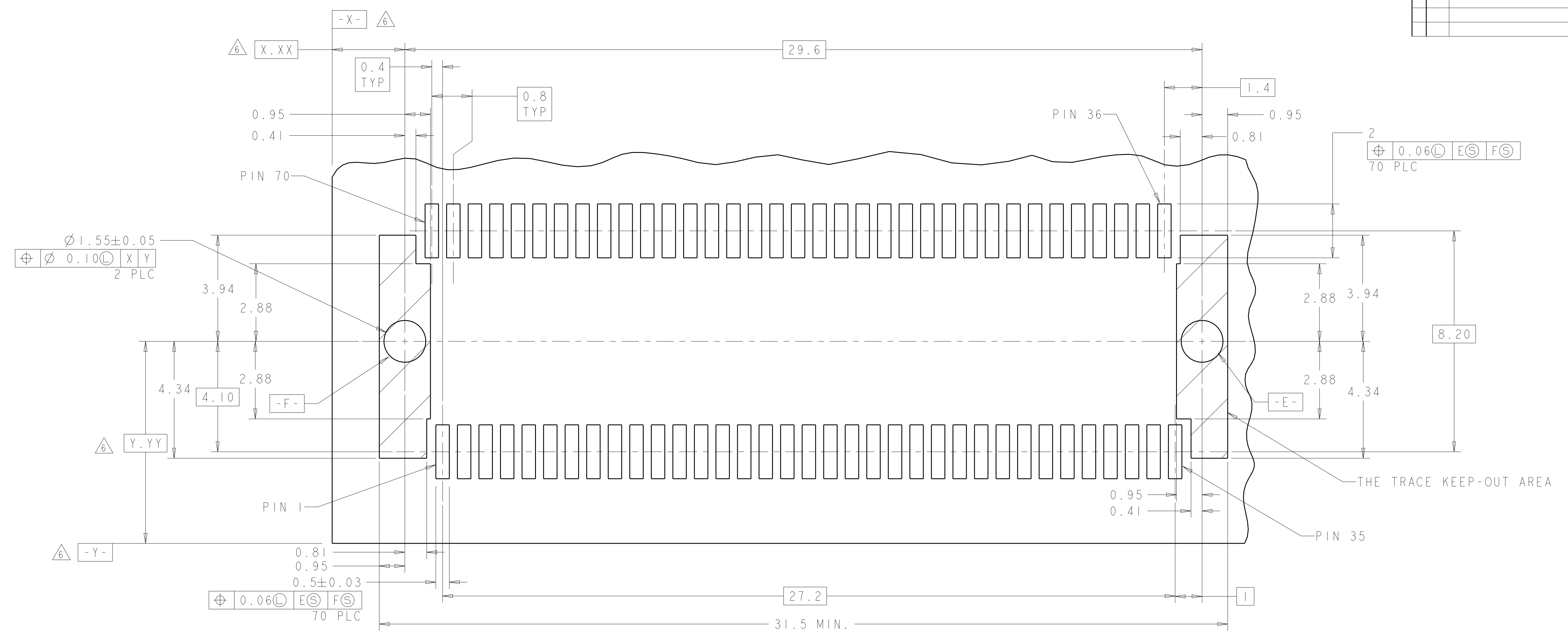
DETAIL J SCALE 25:1



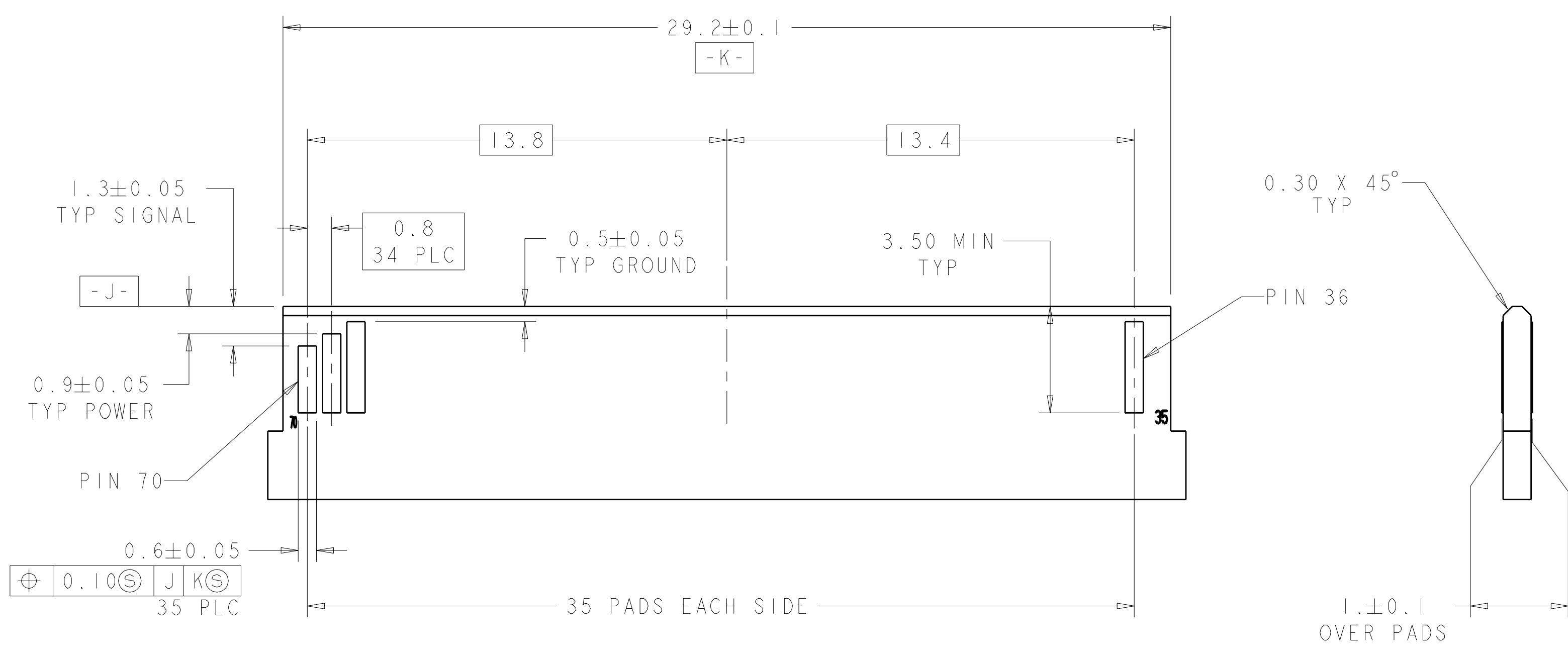
3	1658198-1
FINISH	PART NUMBER

DIMENSIONS: mm TOLERANCES UNLESS OTHERWISE SPECIFIED: 9 PLC ± 1 PLC ±0.10 5 PLC ± 4 PLC ± ANGLES ±		DWN J GERACE 25NOV02 CHK J KOPPENHEFFER APVD M WALMSLEY 02SEP03 PRODUCT SPEC 108-1949 APPLICATION SPEC 114-13017 WEIGHT CUSTOMER DRAWING		Tyco Electronics Corporation Shanghai, P.R.China. 200233 NAME PT CONNECTOR ASSEMBLY, ENHANCED PERFORMANCE, 70 POSITION, RIGHT ANGLE, 0.8MM PITCH SIZE CAGE CODE DRAWING NO. RESTRICTED TO A 00779 C-1658198 SCALE 8:1 SHEET 1 OF 2 REV D	
--	--	--	--	---	--

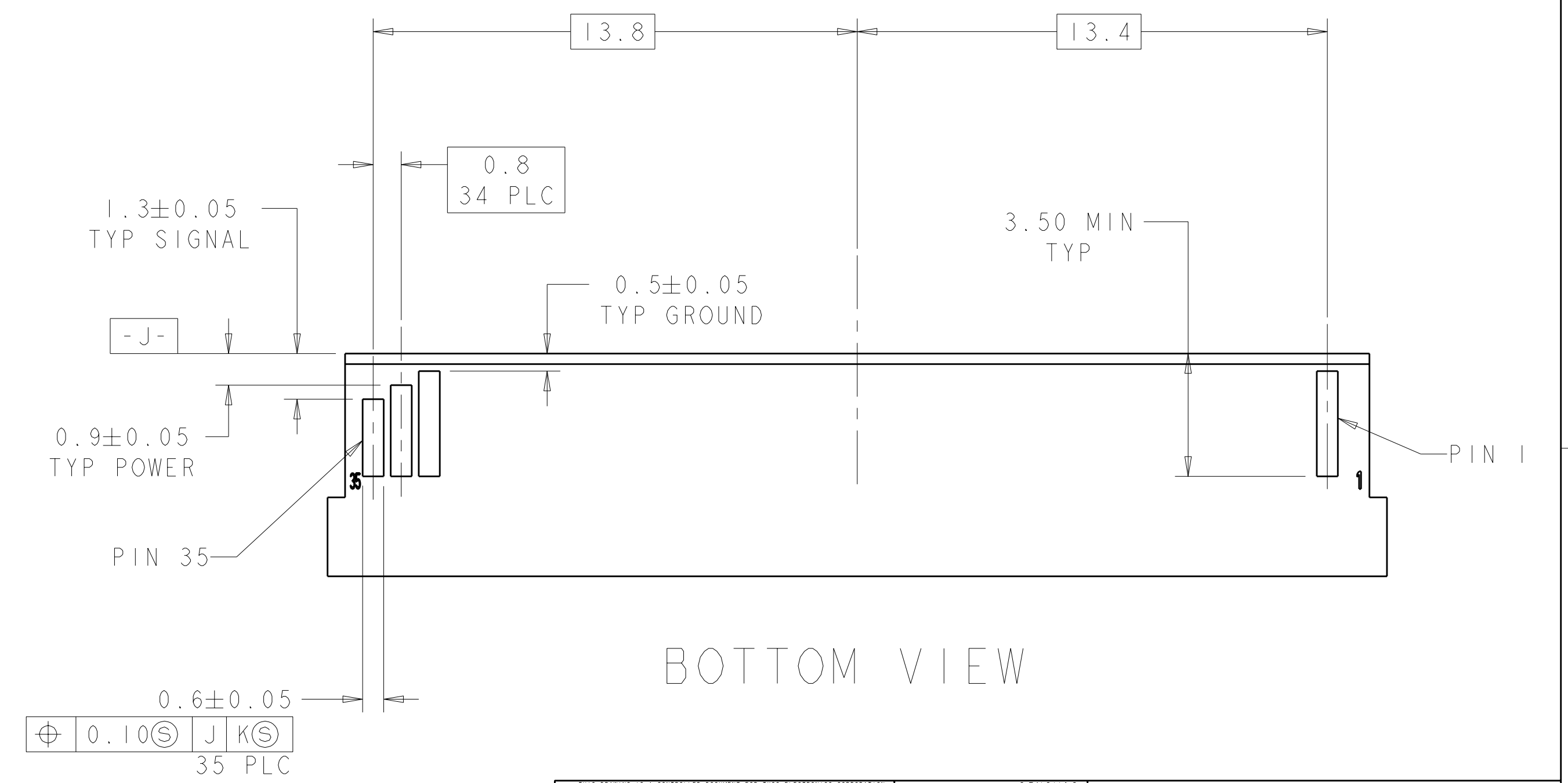
LOC		DIST		REVISIONS			
ES	00	P	LTR	DESCRIPTION	DATE	DWN	APVD
-	-	-	-	SEE SHEET 1	-	-	-



RECOMMENDED PCB LAYOUT DETAIL  
 CONNECTOR MOUNTING SIDE  
 SCALE 12:1



TOP VIEW



BOTTOM VIEW

RECOMMENDED LAYOUT DETAIL  
 MATING PCB

DIMENSIONS:		TOLERANCES UNLESS OTHERWISE SPECIFIED:		DWN		Tyco Electronics	
mm		mm		J.GERACE	25NOV02	Tyco Electronics Corporation Shanghai, P.R.China. 200233	
0 PLC	±	0 PLC	±	CHK	J.KOPPENHEFFER	NAME	
1 PLC	±	1 PLC	±	APVD	M.WALMSLEY	PT CONNECTOR ASSEMBLY, 70 POS, ENHANCED PERFORMANCE, RIGHT ANGLE, 0.8mm PITCH	
2 PLC	±	2 PLC	±	PRODUCT SPEC		SIZE	CAGE CODE
3 PLC	±	3 PLC	±	APPLICATION SPEC		A11	00779
4 PLC	±	4 PLC	±	WEIGHT		SCALE 8:1	
ANGLES	±	ANGLES	±	CUSTOMER DRAWING		SHEET 2 OF 2	
MATERIAL		FINISH		RESTRICTED TO		REV D	