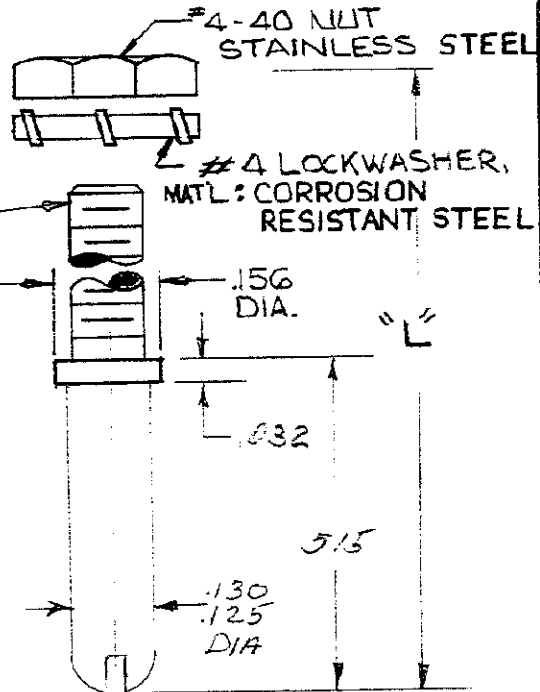


© 1967 BY AMP INCORPORATED. ALL RIGHTS RESERVED. AMP PRODUCTS COVERED BY PATENTS AND/OR PATENTS PENDING.

REVISIONS			
SYM	DESCRIPTION	DATE	APPD
F	REV PER ECN H-017	5-27-80	ELF JRE
G	ADDED -4 PER ECN J-128	3/15/82	TKH JRE
H	OBSOLETE -3 PER ECN DF-0364	11/5/10/88	JAM

- 203881-1 1. AS SHOWN, "L" = 1.110/1.095,
2. KEYING PIN - BRASS, ZINC PL.
- 203881-2 1. SAME AS -1 EXCEPT
2. KEYING PIN - SST
"L" = 1.110/1.095.
- OBSOLETE** AS -1 EXCEPT:
"L" = .875/.860.
- 203881-4 1. SAME AS -2 EXCEPT:
2. CUSTOMER PART NO. TO BE MARKED ON INNERMOST PACKAGE.
4-40 UNC-2A
MAT'L - SEE DASH N^o



COMPONENTS ARE PACKAGED UNASSEMBLED

AMP INFO

LCC PRINT

DFH CO

UNLESS OTHERWISE SPECIFIED
DIMENSIONS ARE IN INCHES

FRACTIONS	DECIMALS	ANGLES
= <i>n</i>	= .005	= <i>n</i>

MATERIAL:
SEE CALL OUT

HEAT TREAT
n

FINISH
n

SIGNATURE	DATE
DR <i>C. D. Hoover</i>	8-24-67
CHK <i>R. J. Mills</i>	2-9-68
DSGN ENGR	
APPD <i>M. Hoagwood</i>	2/9/68

AMP

AMP INCORPORATED
HARRISBURG, PENNSYLVANIA

PIN-KEYING ASS'Y.
HDR SERIES

DSGN APPD	CODE IDENT NO	SIZE	NUMBER
OTHER APPD <i>R. Hollyday 2/9/68</i>	00779	A	203881
SCALE <i>4x1</i>	WT	CALC	ACTUAL
			SHEET 1 OF 1