



PRODUCT DATASHEET

Lena series

last update 31/10/2016

DETAILS

Product Number	CN13170_LENA-WAS-DL
Family	Lena
Type	RefPack
Color	metal
Diameter	111 mm
Height	mm
Style	round
Optic Material	PC
Holder Material	
Fastening	screw
Status	production ready
ROHS Compliant	Yes
Date Updated	31/10/2016



OPTICAL PROPERTIES

LED	Viewing Angle	Light Beam	Efficiency	cd/lm	Connector
BXRA ES Rectangle	Asymmetric deg	Asymmetric	77 %	0.460	-

D

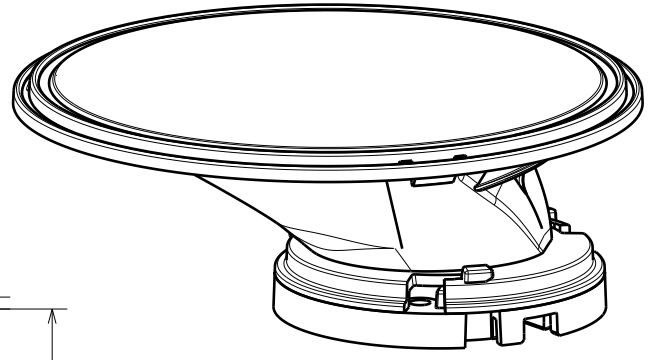
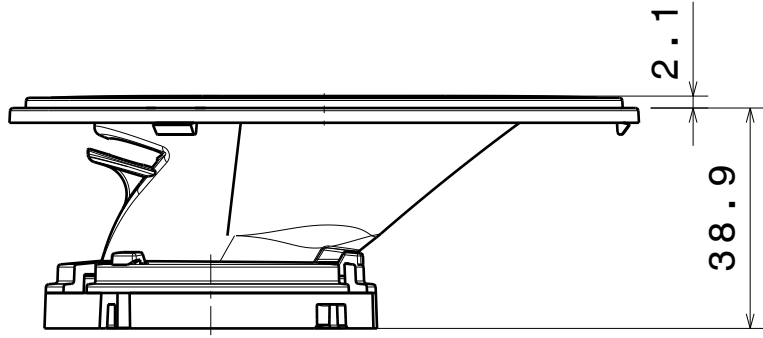
C

B

A

4

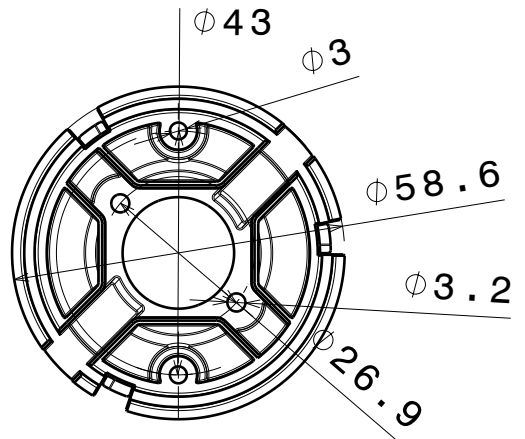
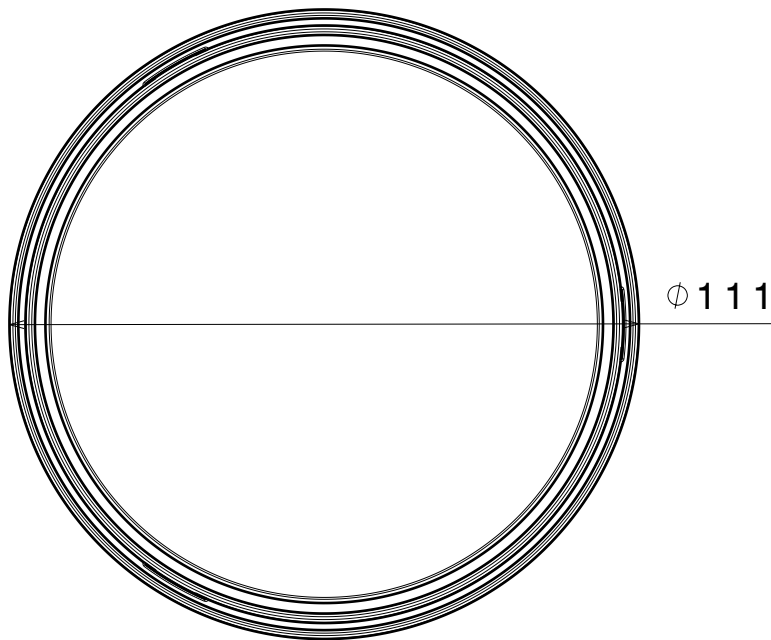
4



Isometric view

3

3



Materials

Reflector: PC
 Base part: PC
 Sublens: PC

Note: Using additional sublens add 2,1mm to total height.

2

2

This drawing is our property. It can't be reproduced or communicated without our written agreement.		 Ledil Oy Salorankatu 10 FIN 24240 SALO Finland		DRAWING TITLE		Mechanical drawing	
DRAWN BY	DATE			LENA-WAS			
as	26.9.2012	SIZE	PART NUMBER			REV	
CHECKED BY	DATE	A4				001	
VS	-	SCALE	1:4	WEIGHT	- mg	SHEET	1/1
DESIGNED BY	DATE						
-	-						

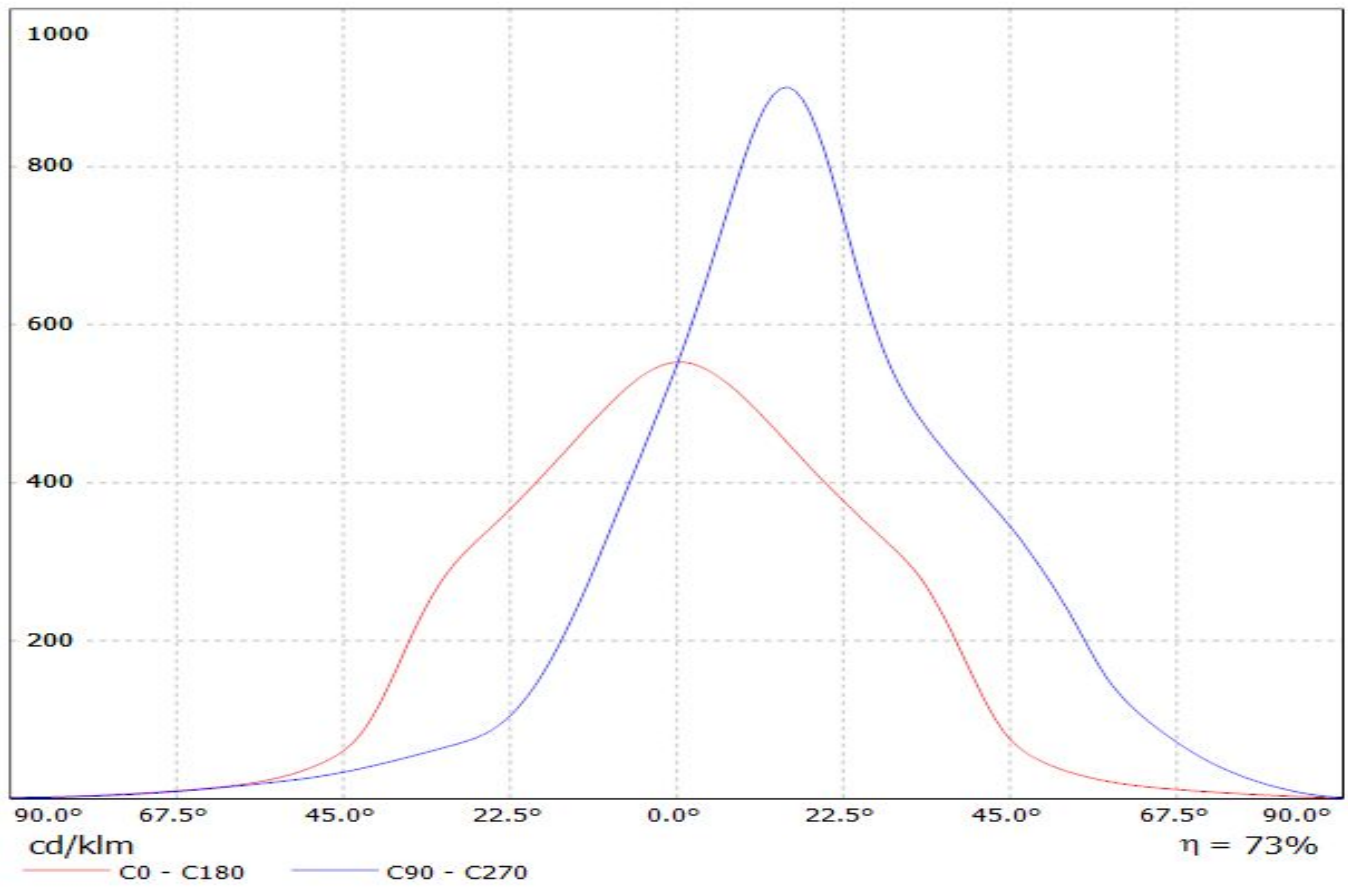
1

1

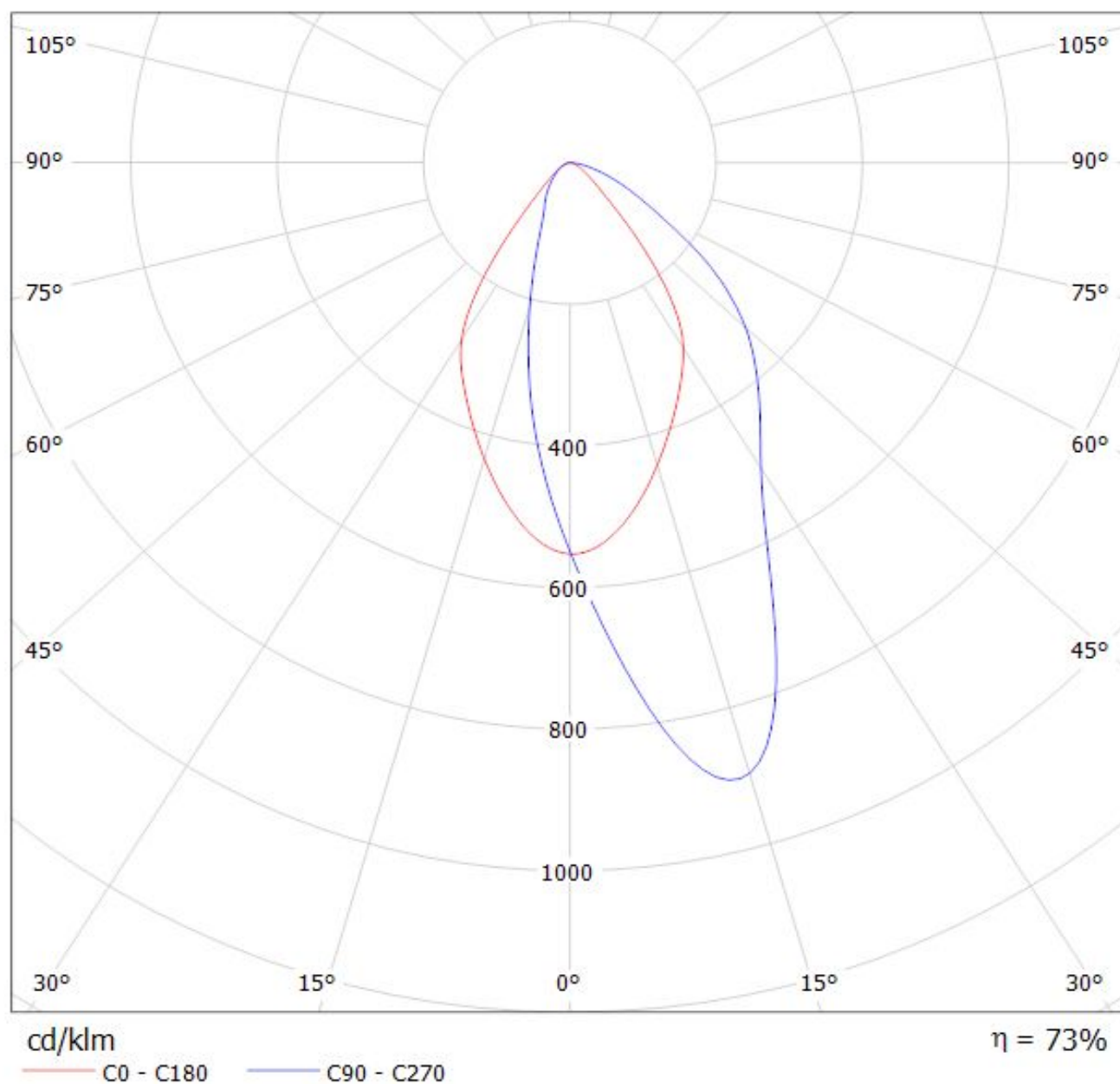
D

A

Luminaire: LEDiL Oy CN13170_LENA-WAS-DL_(BXRA_ES) Eff.73.2%
Lamps: 1 x BXRA-W1203 (297.805lm@250mA)



Luminaire: LEDiL Oy CN13170_LENA-WAS-DL_(BXRA_ES) Eff.73.2%
Lamps: 1 x BXRA-W1203 (297.805lm@250mA)



NOTE: The typical divergence will be changed by different color, chip size and chip position tolerance. The typical total divergence is the full angle measured where the luminous intensity is half of the peak value.