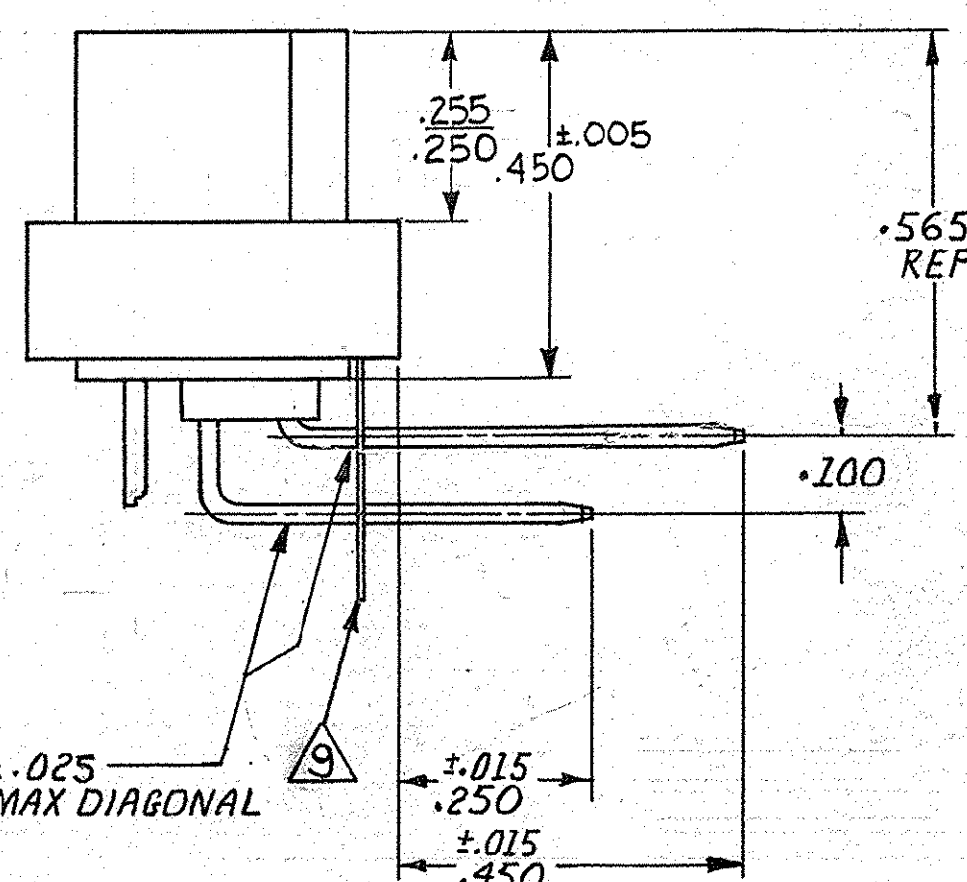
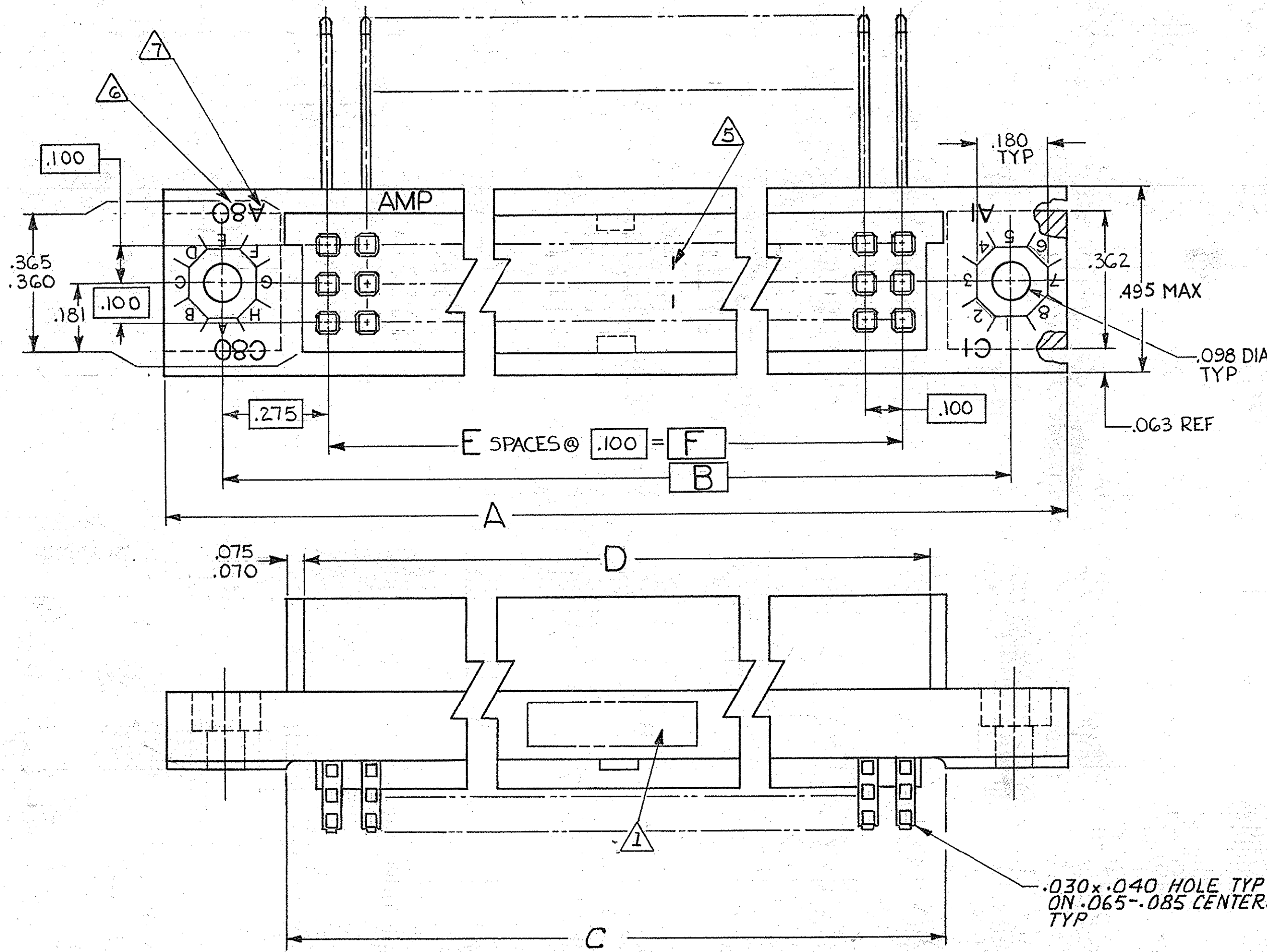


© COPYRIGHT 19 _____ BY AMP INCORPORATED, HARRISBURG, PA.
 ALL INTERNATIONAL RIGHTS RESERVED. AMP INCORPORATED PRODUCTS
 COVERED BY U. S. AND FOREIGN PATENTS AND/OR PATENTS PENDING.

REVISIONS					
P	F	ZONE	LTR	DESCRIPTION	DATE APPROVED
			0	WAS 5085-501	6-80
			01	REVISED 6924 m.s.	10-80
			A	REVISED 7328 ^{DLK}	4-13-81
			A1	DIMENSIONS ADDED PER 7656 ^{DLK}	12-8-81
A2			A2	REVISED 8143	9-82
			B	REV. PER ECN AB-0535	1-17-85
			B1	REVISED PER ECN AB-0812-0731 ^{RDB}	4-15-85
			C	REV PER AB-0993	7-23-85
			D	REVISED PER AB-1230	11-85
			E	REVISED PER AB-1674 ^{WAP}	11-86
			F	REVISED PER DF-0117	8-88
			G	REV PER DF-2458 ^{JM}	11-20-89
			H	REV PER DF-6974 ^{TA}	3-93
			J	REV 0600-5641-96	9-97
			K	REV 0600-6467-97	10-98
			L	REV PER 063D-0392-00 ^{CT}	12-00
			M	REV PER ECO-05-013283	11-05



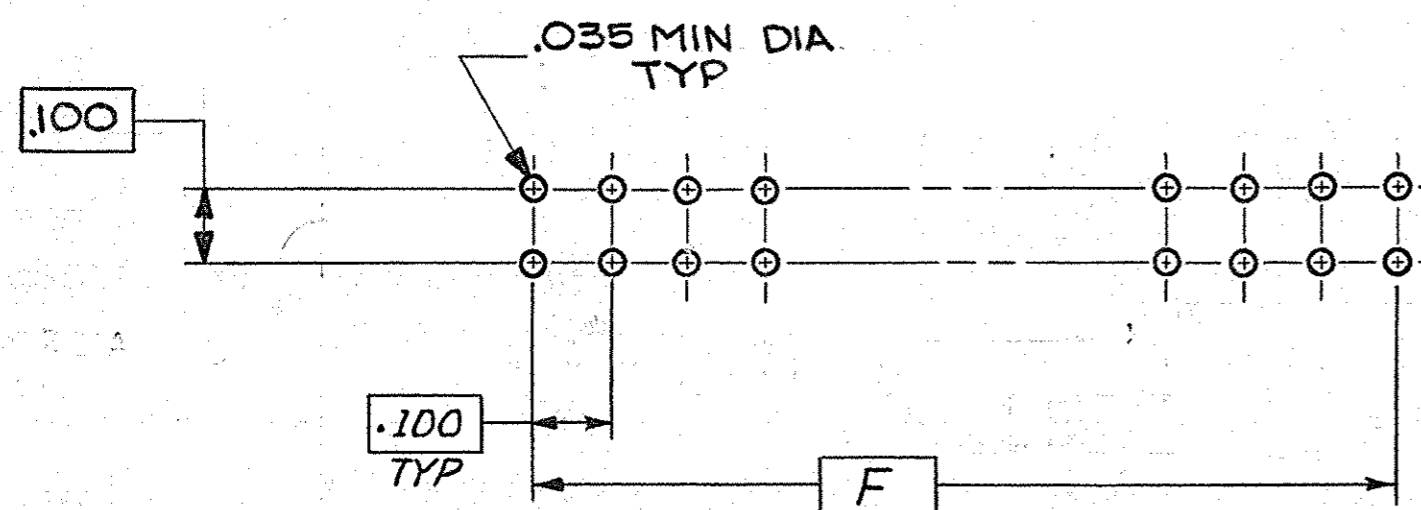
- ① AMP, DATE CODE, AND PART NUMBER MARKED THIS AREA.
 - ② HOUSING MATERIAL: POLYPHENYLENE SULFIDE GST-40F PER MIL-M-24519.
 - ③ CONTACT MATERIAL-BERYLLIUM COPPER OR COPPER-NICKEL-SILICONE
 - ④ FINISH-.000050 GOLD OVER .000030 NICKEL
 - ⑤ LINES INDICATING EVERY FIVE CAVITIES MARKED THIS SURFACE.
 - ⑥ NUMBERS INDICATING END CAVITIES MARKED THIS SURFACE.
.062^{±.010} HIGH.
 - ⑦ LETTERS INDICATING OUTSIDE ROWS MARKED THIS SURFACE.
- B. THIRD ROW USES SOLDER EYELET TYPE CONTACTS, AND IS TO BE WIRED TO PC BOARD.
- ⑨ A TRANSPARENT MYLAR STRIP IS PLACED ON THE RIGHT-ANGLE TAILS TO IMPROVE CONTACT ALIGNMENT AND STABILITY.

UNLESS OTHERWISE SPECIFIED DIMENSIONS ARE IN INCHES. TOLERANCES ON: DECIMALS ±.020 ANGLES ±		CONTRACT NO	AMP AMP INCORPORATED Harrisburg, Pa.	
MATERIAL	② ③	DR Debra Kelly 7/2/80	NAME RECEPTACLE ASS Y, .100¢, W/ MOUNTING EARS, SNAP-IN BOX CONTACTS	
FINISH	④	CHK W. H. Fitchard Jr. 7/10/80	SIZE CODE IDENT NO DRAWING NO C 00779 531718	
		APPD W. H. Fitchard Jr. 7/10/80	SCALE 4:1	
		APPD E. Parsons 7/11/80	SHEET 1 OF 2	
		DSGN APPD	CUSTOMER DRAWING	
		OTHER APPD		

531718

© COPYRIGHT 19 BY AMP INCORPORATED, HARRISBURG, PA.
 ALL INTERNATIONAL RIGHTS RESERVED. AMP INCORPORATED PRODUCTS
 COVERED BY U. S. AND FOREIGN PATENTS AND/OR PATENTS PENDING.

REVISIONS				DATE	APPROVED
P	F	ZONE	LTR	DESCRIPTION	
			M.	SEE SHEET 1	



PC BOARD HOLE LAYOUT

OBSOLETE	8.900	89	9.024	9.125	9.450	9.750	270	1-531718-5	
OBSOLETE	6.400	64	6.524	6.625	6.950	7.250	195	1-531718-4	
OBSOLETE	4.400	44	4.524	4.625	4.950	5.250	135	1- -3	
OBSOLETE	3.600	36	3.724	3.825	4.150	4.450	111	1- -2	
	2.900	29	3.024	3.125	3.450	3.750	90	1- -1	
OBSOLETE	3.200	32	3.324	3.425	3.750	4.050	99	1- -0	
OBSOLETE	3.400	34	3.524	3.625	3.950	4.250	105		-9
OBSOLETE	3.900	39	4.024	4.125	4.450	4.750	120		-8
OBSOLETE	4.000	40	4.124	4.225	4.550	4.850	123		-7
	4.100	41	4.224	4.325	4.650	4.950	126		-6
	4.900	49	5.024	5.125	5.450	5.750	150		-5
OBSOLETE	5.400	54	5.524	5.625	5.950	6.250	165		-4
	5.900	59	6.024	6.125	6.450	6.750	180		-3
OBSOLETE	6.900	69	7.024	7.125	7.450	7.750	210		-2
	7.900	79	8.024	8.125	8.450	8.750	240	531718-1	

	F	E	D	C	B	A	NO OF POSN	PART NO
UNLESS OTHERWISE SPECIFIED DIMENSIONS ARE IN INCHES. TOLERANCES ON: DECIMALS $\pm .010$ ANGLES \pm	CONTRACT NO		AMP INCORPORATED Harrisburg, Pa.					
MATERIAL	DR A.M. SHARPE 7/2/80		NAME RECEPTACLE ASSY, .100 E, W/ MOUNTING EARS, SNAP-IN BOX CONTACTS					
FINISH	CHK W.L. PITCHARD JR. 7/10/80		SIZE CODE IDENT NO DRAWING NO C 00779 531718					
	APPD W.L. PITCHARD JR. 7/10/80		SCALE 4:1 SHEET 2 of 2					
	APPD E. PARSONS 7/11/80		OTHER APPD					
	DSGN APPD							