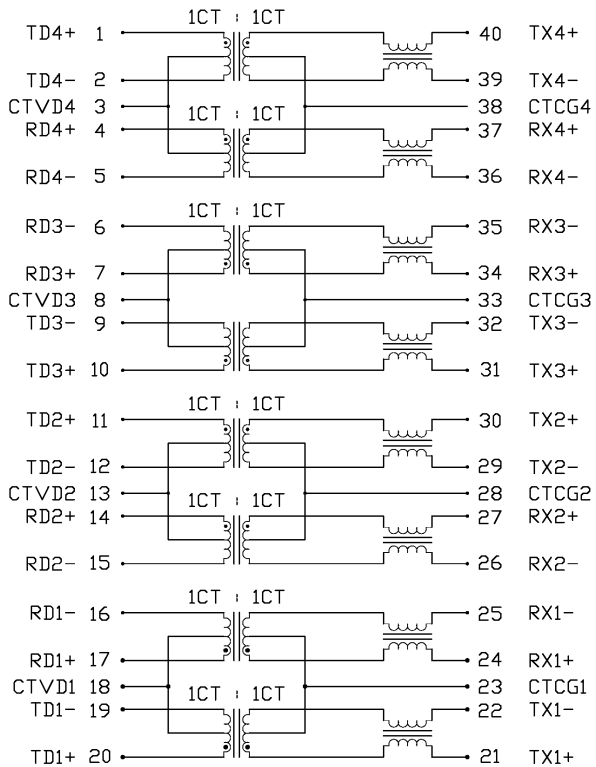


THE INFORMATION CONTAINED HEREIN IS CONSIDERED "PROPRIETARY" TO BEL FUSE INC. AND SHALL NOT BE COPIED, REPRODUCED OR DISCLOSED WITHOUT THE WRITTEN APPROVAL OF BEL FUSE INC.



ELECTRICAL CHARACTERISTICS @ 25°C

SCHMATIC



<p>1CT : 1CT</p> <p>TD4+ 1</p> <p>TD4- 2</p> <p>CTVD4 3</p> <p>RD4+ 4</p> <p>RD4- 5</p> <p>RD3- 6</p> <p>RD3+ 7</p> <p>CTVD3 8</p> <p>TD3- 9</p> <p>TD3+ 10</p> <p>TD2+ 11</p> <p>TD2- 12</p> <p>CTVD2 13</p> <p>RD2+ 14</p> <p>RD2- 15</p> <p>RD1- 16</p> <p>RD1+ 17</p> <p>CTVD1 18</p> <p>TD1- 19</p> <p>TD1+ 20</p>	<p>40 TX4+</p> <p>39 TX4-</p> <p>38 CTCTG4</p> <p>37 RX4+</p> <p>36 RX4-</p> <p>35 RX3-</p> <p>34 RX3+</p> <p>33 CTCTG3</p> <p>32 TX3-</p> <p>31 TX3+</p> <p>30 TX2+</p> <p>29 TX2-</p> <p>28 CTCTG2</p> <p>27 RX2+</p> <p>26 RX2-</p> <p>25 RX1-</p> <p>24 RX1+</p> <p>23 CTCTG1</p> <p>22 TX1-</p> <p>21 TX1+</p>	<p>1CT : 1CT</p> <p>1CT : 1CT</p> <p>POLARITY :</p> <p>OCL</p> <p>INSERTION LOSS</p> <p>RETURN LOSS</p> <p>COMMON TO DIFFERENTIAL MODE REJECTION</p> <p>COMMON TO COMMON MODE REJECTION</p> <p>CROSSTALK</p> <p>HIPOT</p>	<p>Tx SIDE:</p> <p>Rx SIDE:</p> <p>Rx 4°&37°, 7°&34°, 14°&27°, 17°&24°</p> <p>Tx 1°&40°, 10°&31°, 11°&30°, 20°&21°</p> <p>IN PHASE</p> <p>350μH MIN. @ 100kHz, 100mV</p> <p>WITH 8mA D.C. BIAS.</p> <p>@ 100kHz - 80MHZ 1.0 dB MAX</p> <p>MEASURED UNDER A</p> <p>100 Ω ENVIRONMENT</p> <p>@ 0.1MHZ - 30MHZ 18 dB MIN.</p> <p>@ 30MHZ - 60MHZ 18-20 LOG(f/30MHZ)</p> <p>@ 60MHZ - 80MHZ 12 dB MIN.</p> <p>@ 0.1MHZ TO 100MHZ 40 dB MIN.</p> <p>@ 0.1MHZ TO 100MHZ 35 dB MIN.</p> <p>@ 100MHZ TO 500MHZ 20 dB MIN.</p> <p>@ 0.1MHZ TO 100MHZ 32 dB MIN.</p> <p>PER HAND-WORK-03</p>
---	---	---	--

DRWN	DATE	12-10-04
DQ Chen		
CHKD	DATE	12-10-04
HD		

TITLE	ELECTRICAL SPECIFICATION
	S558-5999-Q9-F

PART NO. / DRAWING NO.	X5585999Q9-F
FILE NAME	X5585999Q9F.B.DWG

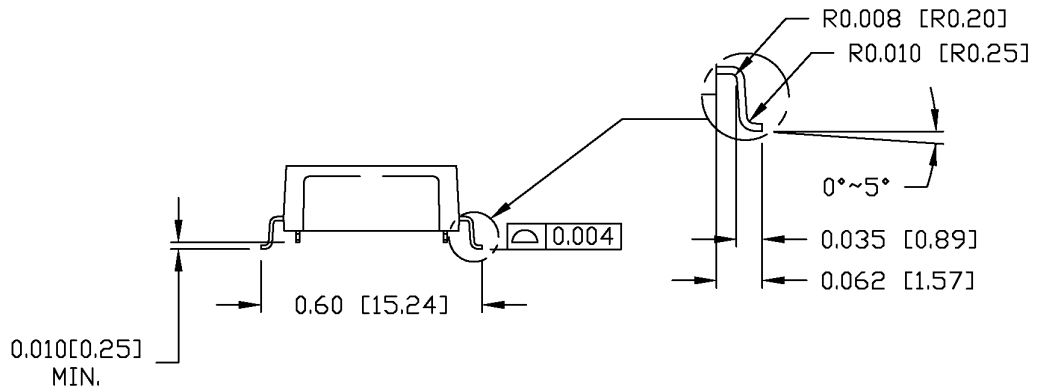
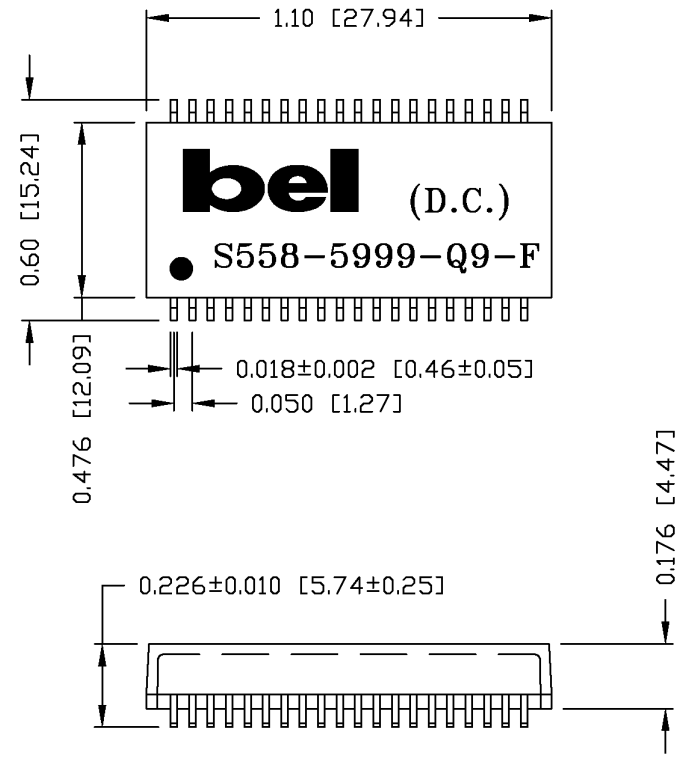
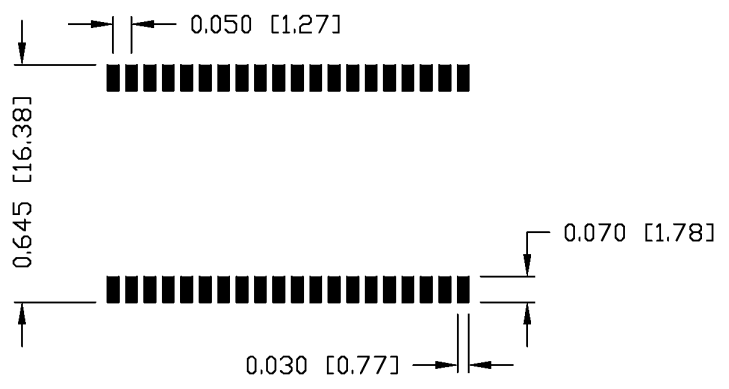
STANDARD DIM. TOL. IN INCH	[] METRIC DIM. AS REFERENCE
.X	UNIT : INCH [mm] REV. : B
.XX	SCALE : N/A SIZE : A4
.XXX	PAGE : 2



THE INFORMATION CONTAINED HEREIN IS CONSIDERED "PROPRIETARY" TO BEL FUSE INC. AND SHALL NOT BE COPIED, REPRODUCED OR DISCLOSED WITHOUT THE WRITTEN APPROVAL OF BEL FUSE INC.



SUGGESTED PCB PAD LAYOUT



NOTES:

- STANDARD MARKING REFER TO DOC. HAND-WORK-04.
- PACKAGE CODE: "RRS001".

DRWN Yang Hao	DATE 12-10-04	TITLE MECHANICAL DRAWING	PART NO. / DRAWING NO. X5585999Q9-F	STANDARD DIM. TOL. IN INCH .X	[] METRIC DIM. AS REFERENCE UNIT : INCH [mm]	REV. : B	 COMPONENTS FOR A CONNECTED PLANET
CHKD Lawrence	DATE 12-10-04	S558-5999-Q9-F	FILE NAME X5585999Q9F.B.DWG	.XX ±0.01	SCALE : N/A	SIZE : A4	
FORM NO. - ENG02082001				.XXX ±0.005		PAGE : 3	