

## DETAILS

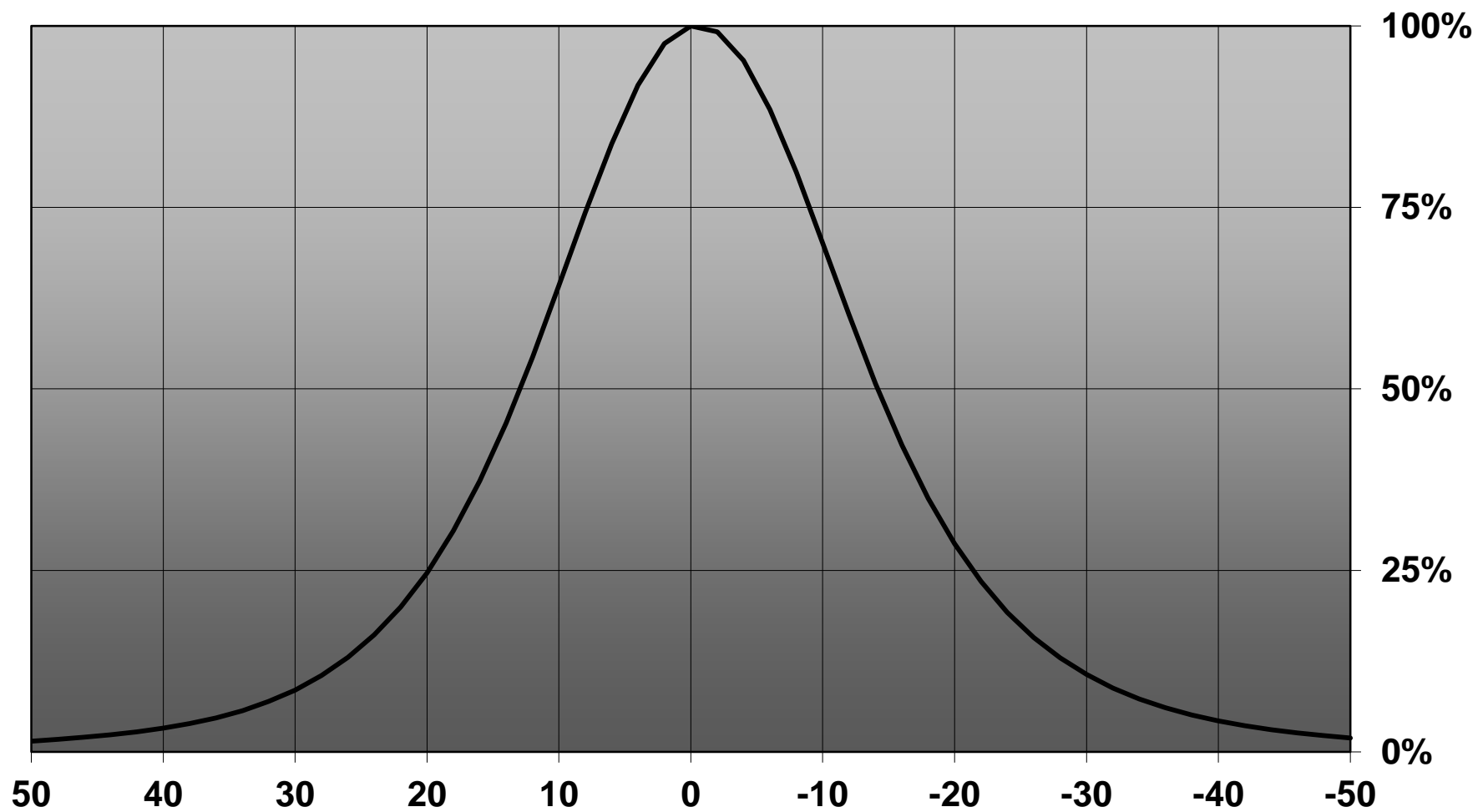
<b>Product Number</b>	CP13666_LARISA-RZ-CLIP16
<b>Family</b>	Larisa
<b>Type</b>	Assembly
<b>Color</b>	black
<b>Diameter</b>	9,9x9,9 mm
<b>Height</b>	7,5 mm
<b>Style</b>	square
<b>Optic Material</b>	PMMA
<b>Holder Material</b>	
<b>Fastening</b>	clips
<b>Status</b>	production ready
<b>ROHS Comliant</b>	Yes
<b>Date Updated</b>	3/02/2017



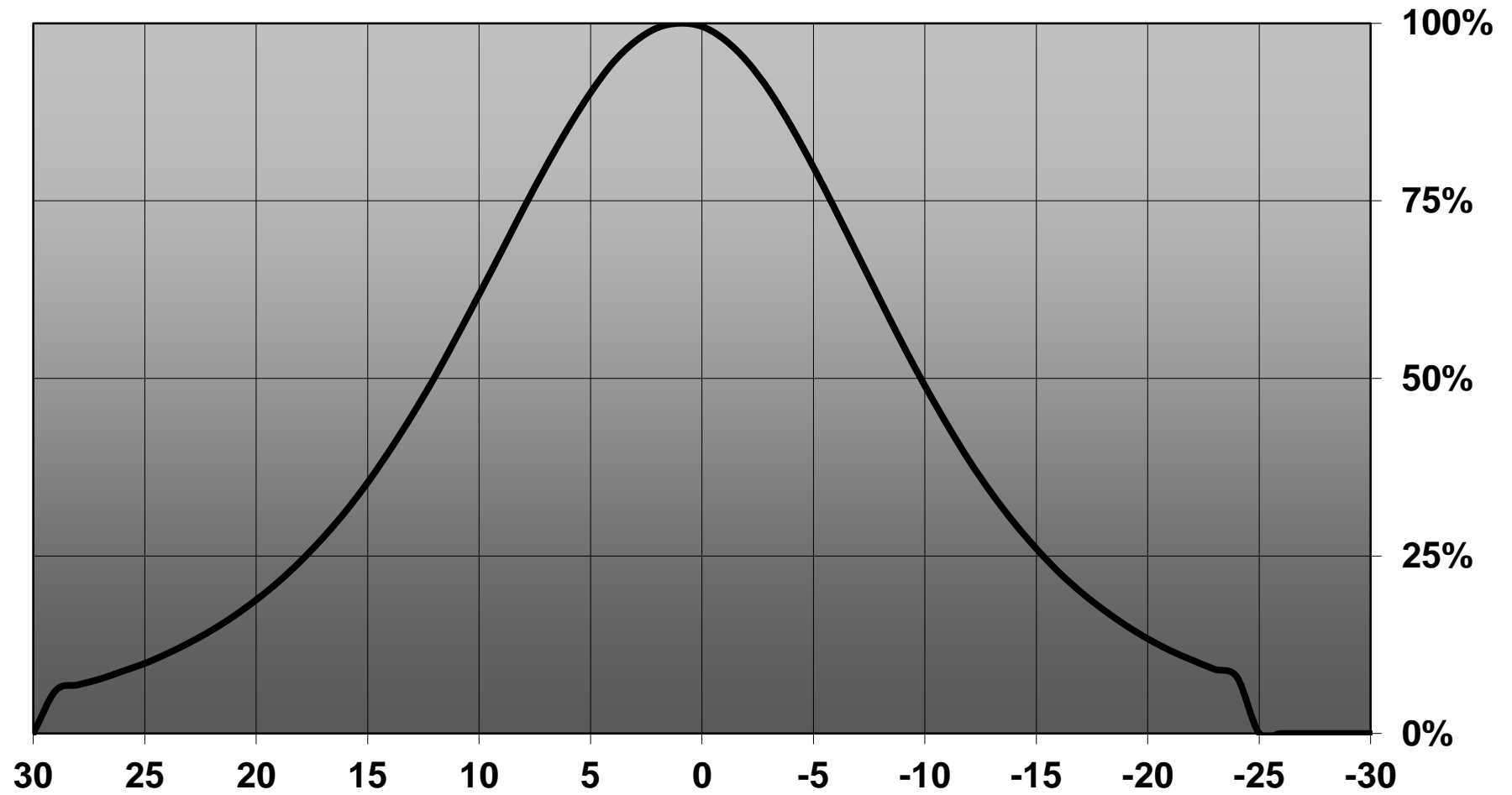
## OPTICAL PROPERTIES

LED	Viewing Angle	Light Beam	Efficiency	cd/lm	Connector
XB-D	27 deg		73 %	2.280	-
XQ-E	24 deg		77 %	2.600	-
XQ-E HI	22 deg		70 %	3.300	-
LUXEON Z	22 deg		75 %	3.270	-
LUXEON Z ES	26 deg		71 %	1.930	-
Duris S5 (2 chip)	32 deg		72 %	1.600	-

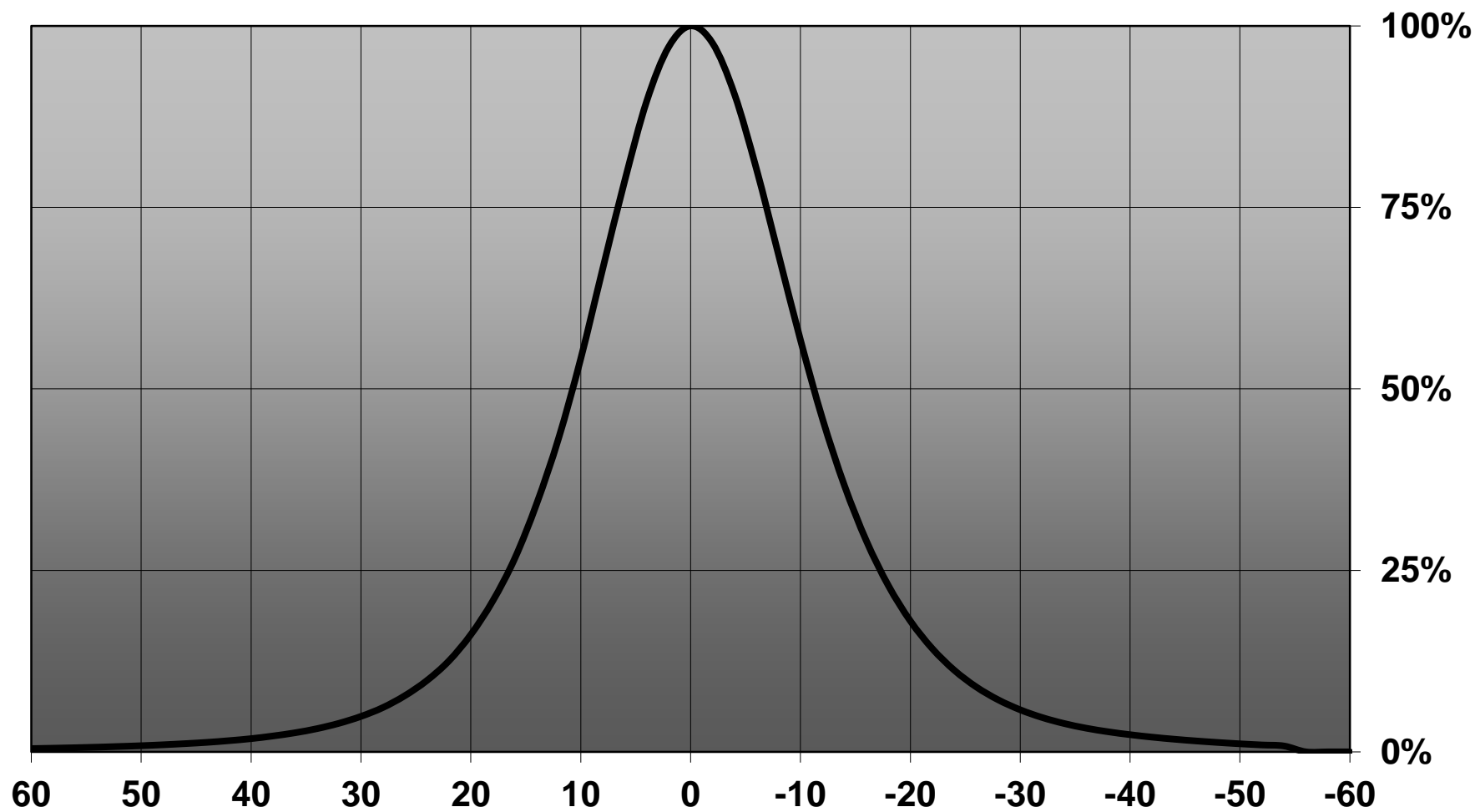
**Relative intensity of CP13666\_LARISA-RZ-CLIP16 (XBD)**



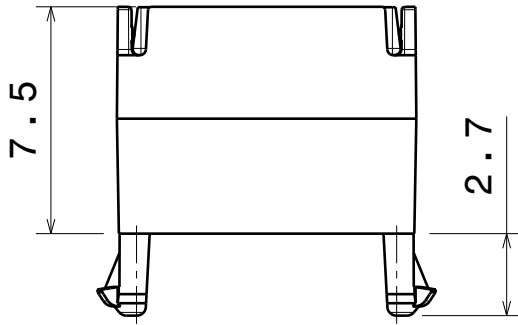
Relative intensity of CP13666\_LARISA-RZ-CLIP16\_(XQ-E\_HI)



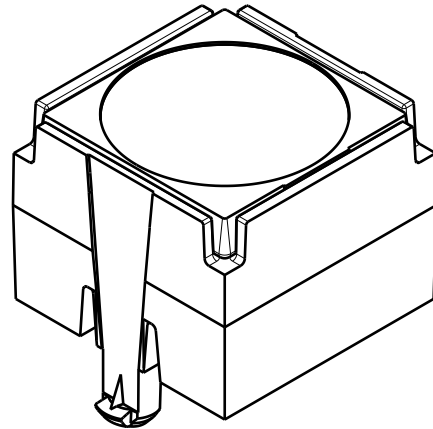
Relative intensity of CP13666\_LARISA-RZ-CLIP16\_(Luxeon Z)



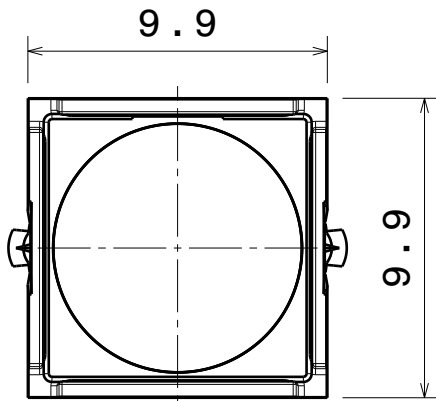
Designed for the following pin hole dimensions:  
 Hole diameter 1.95mm  
 Hole distance 8.6mm  
 PCB thickness 1.6mm



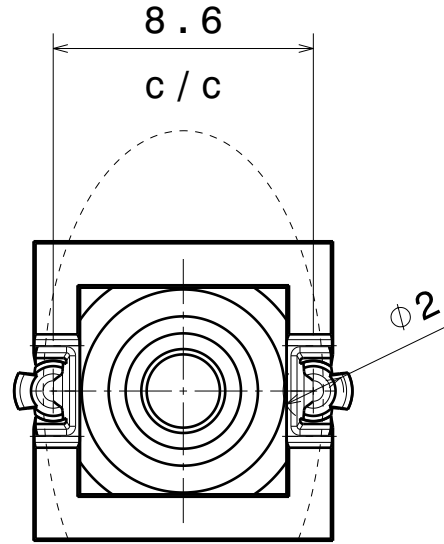
Front view



Isometric view  
 Scale: 4:1



Top view



Bottom view

Oval beam direction

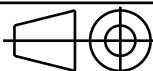
INDEX	PART NO	DESCRIPTION	MATERIAL	COLOUR
1	-	LARISA lens	PMMA	
2	C12908	LARISA-HOLDER-CLIP16	PC	black

Tolerances if not otherwise shown  
 According to DIN ISO 2768-1  
 Linear measures:  
 Up to 30mm class M, otherwise class C.  
 According to DIN ISO 2768-2  
 Form and position: class L

**LEDiL**

Ledil Oy  
 Salorankatu 10  
 FIN 24240 SALO  
 Finland

THIRD ANGLE PROJECTION:



DRAWING TITLE

**LARISA-CLIP16 series**

This drawing is the property of LEDiL Oy. It may not be reproduced, copied or communicated without a written agreement with LEDiL Oy.

SIZE PART NUMBER

**A4**

-

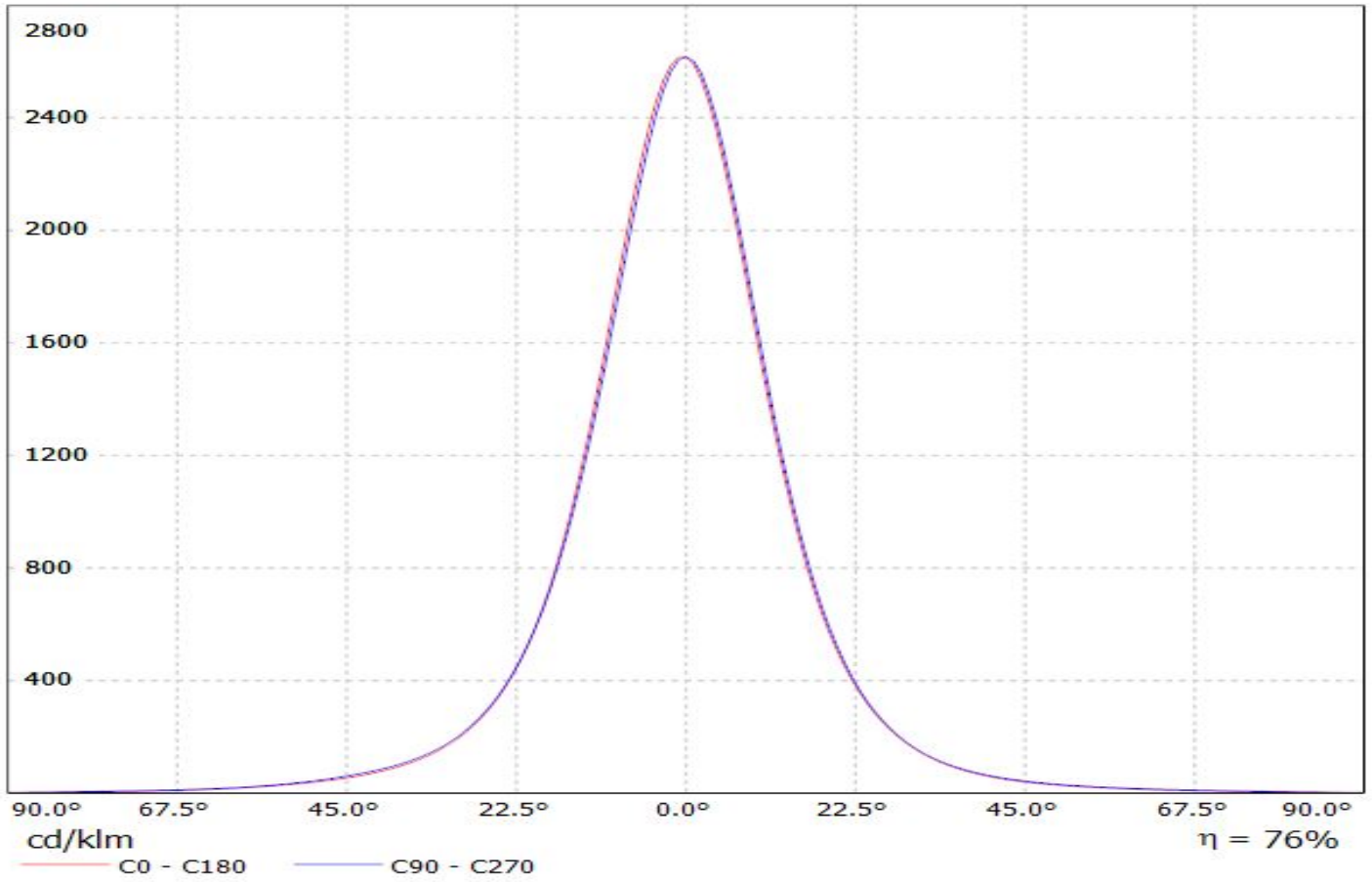
SCALE 4:1 WEIGHT 0,6 g SHEET 1/1

D

A

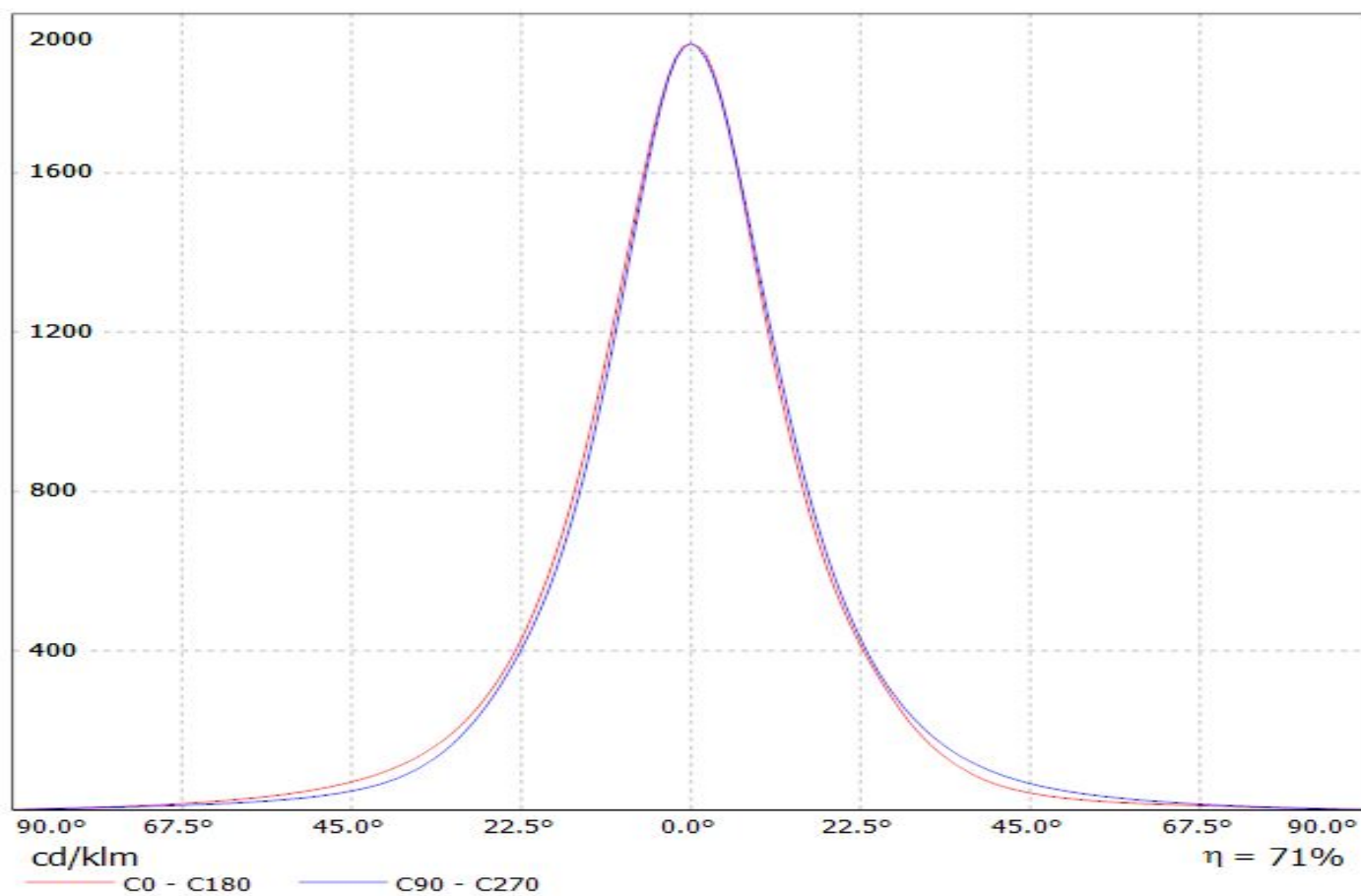
Luminaire: LEDiL Oy CP13666\_LARISA-RZ-CLIP16\_(XQ-E)

Lamps: 1 x Cree XQ-E\_(XQEAWT-0-7B1-Q40-0H-00001)\_81.8467lm@250mA\_P=0.765444W\_I=250mA

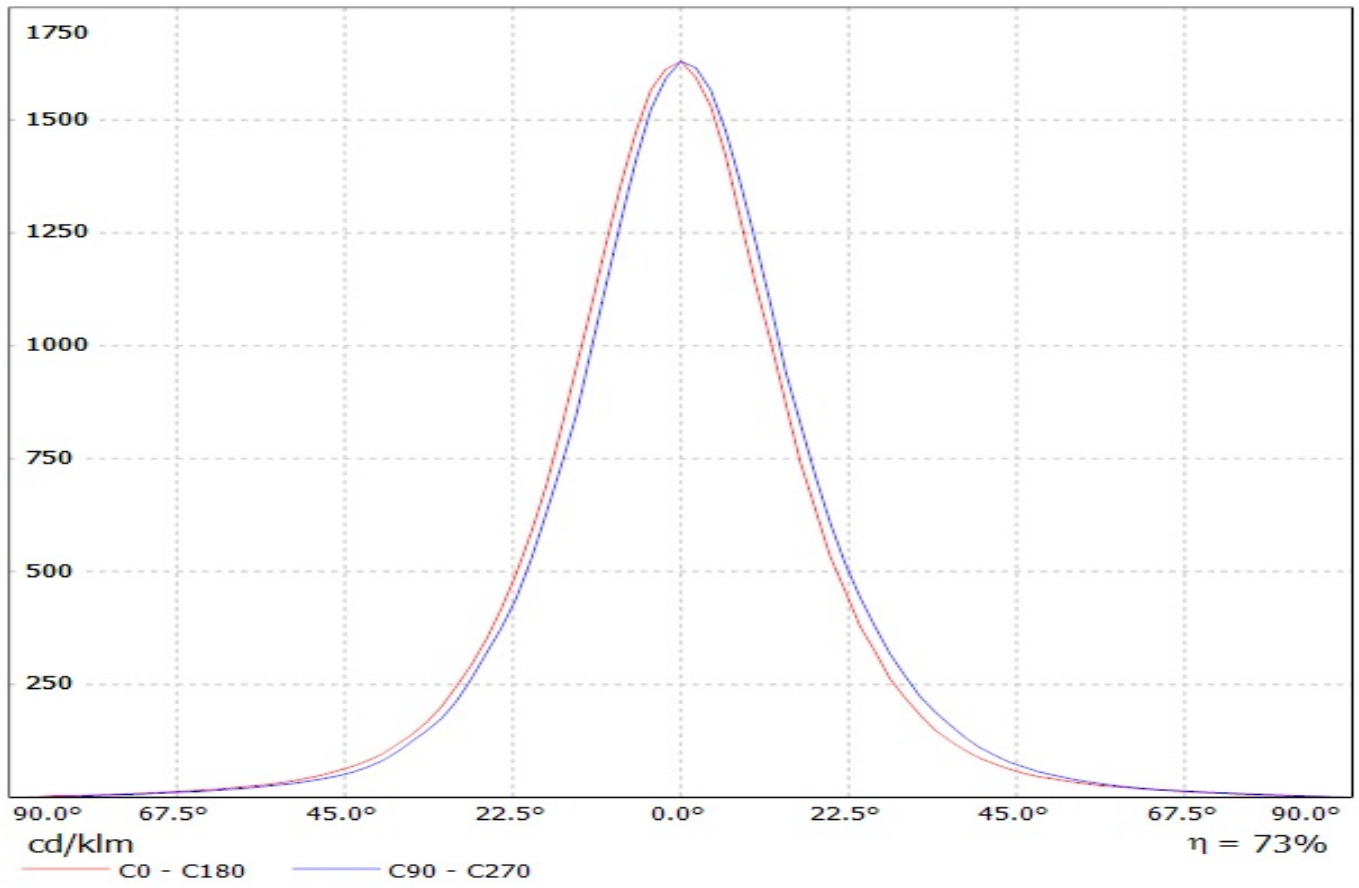


Luminaire: LEDiL Oy CP13666\_LARISA-RZ-CLIP16\_(Luxeon\_Z\_ES)

Lamps: 1 x Philips\_Lumileds\_Luxeon\_Z\_ES\_(LXZ2-2790)\_51.1518lm@250mA\_P=0.73718W\_I=249.9mA



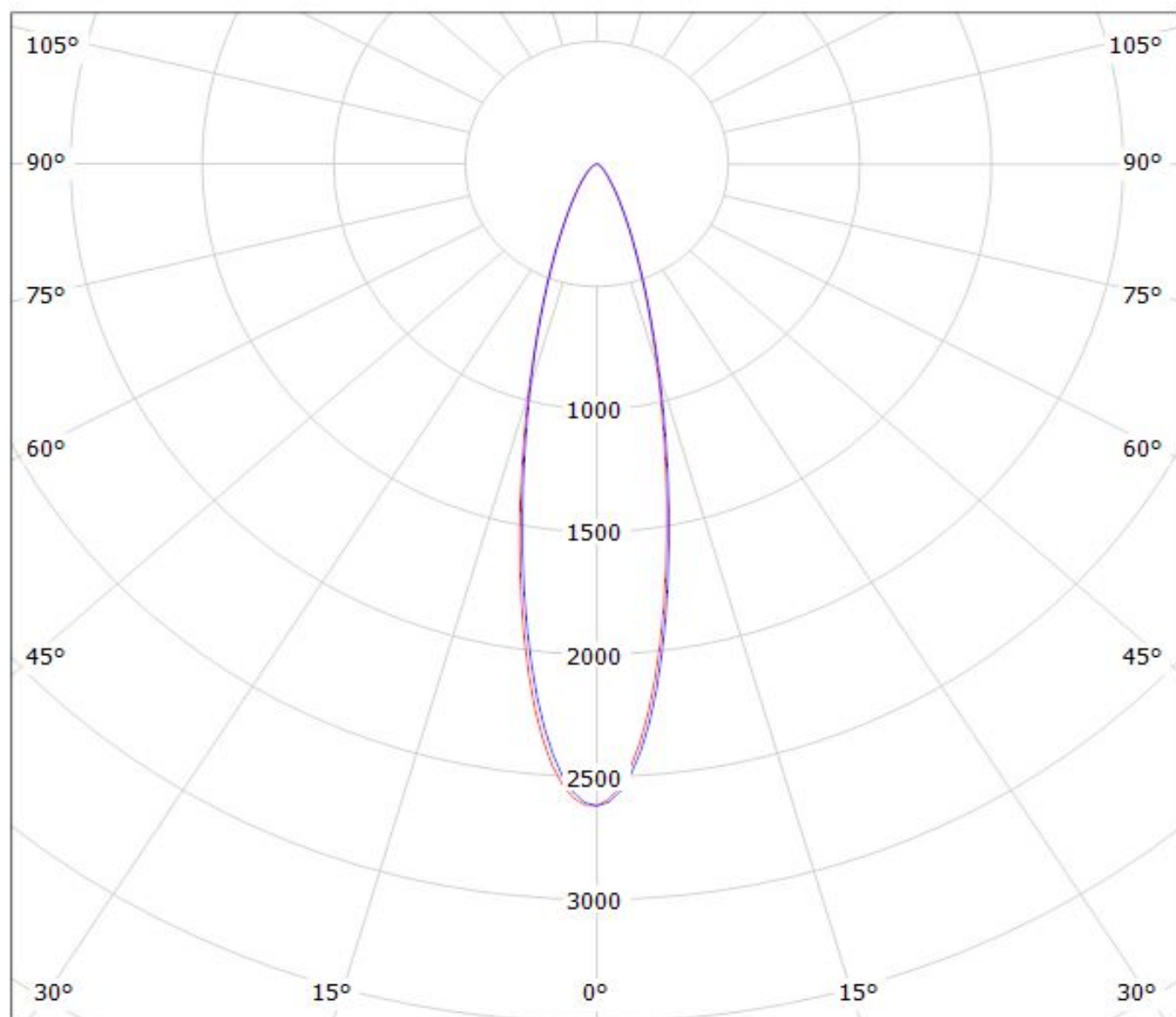
Luminaire: LEDil Oy CP13666\_LARISA-RZ-CLIP16\_(DURIS\_S5) Efficiency=72%  
Lamps: 1 x Osram Duris S5 (GW PSLPS1.EC) 102lm @ 150mA CCT=6300K P=1.0W I=150mA





Luminaire: LEDiL Oy CP13666\_LARISA-RZ-CLIP16\_(XQ-E)

Lamps: 1 x Cree XQ-E\_(XQEAWT-0-7B1-Q40-0H-00001)\_81.8467lm@250mA\_P=0.765444W\_I=250mA



cd/klm

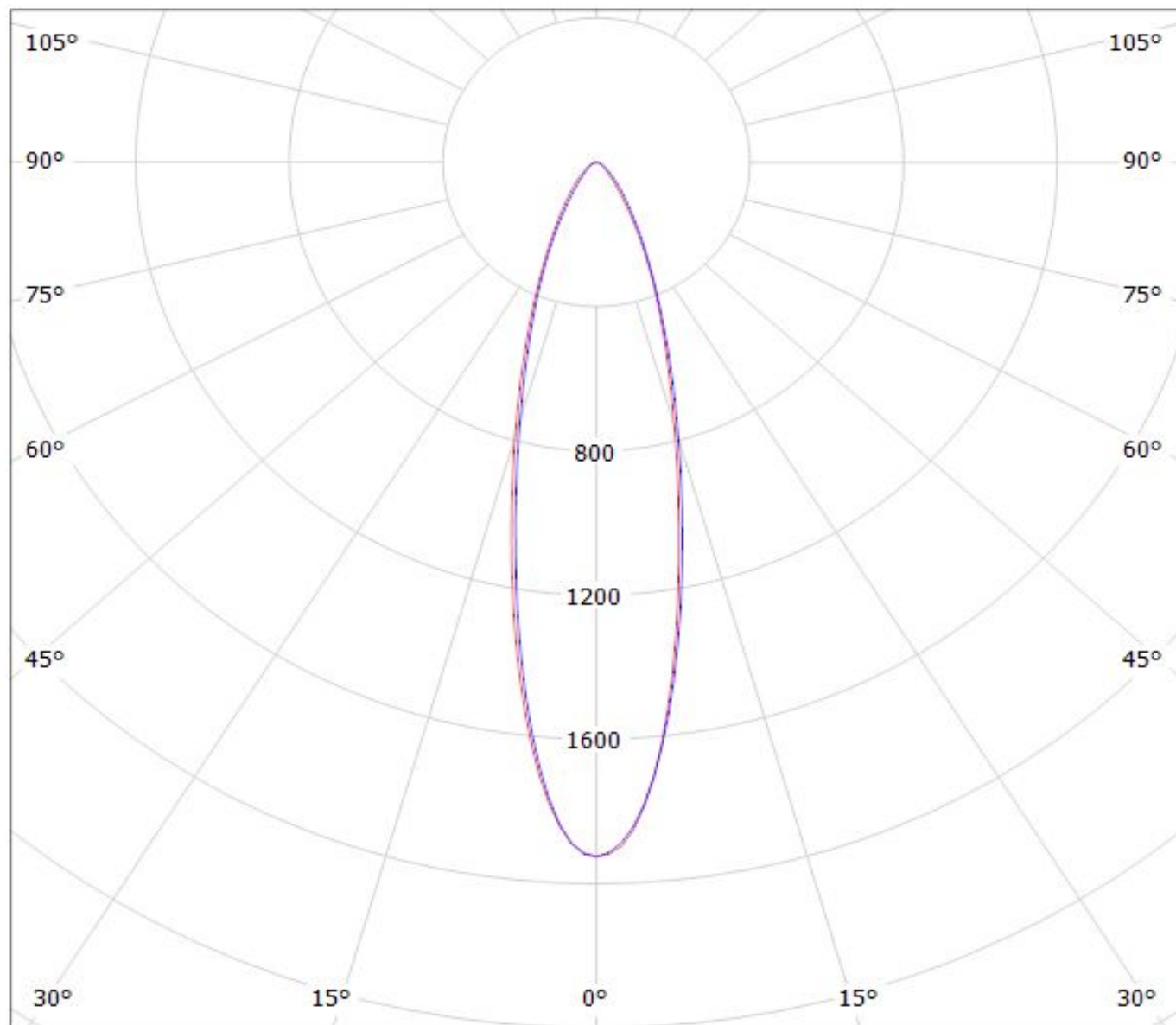
— C0 - C180

— C90 - C270

$\eta = 76\%$

Luminaire: LEDiL Oy CP13666\_LARISA-RZ-CLIP16\_(Luxeon\_Z\_ES)

Lamps: 1 x Philips\_Lumileds\_Luxeon\_Z\_ES\_(LXZ2-2790)\_51.1518lm@250mA\_P=0.73718W\_I=249.9mA



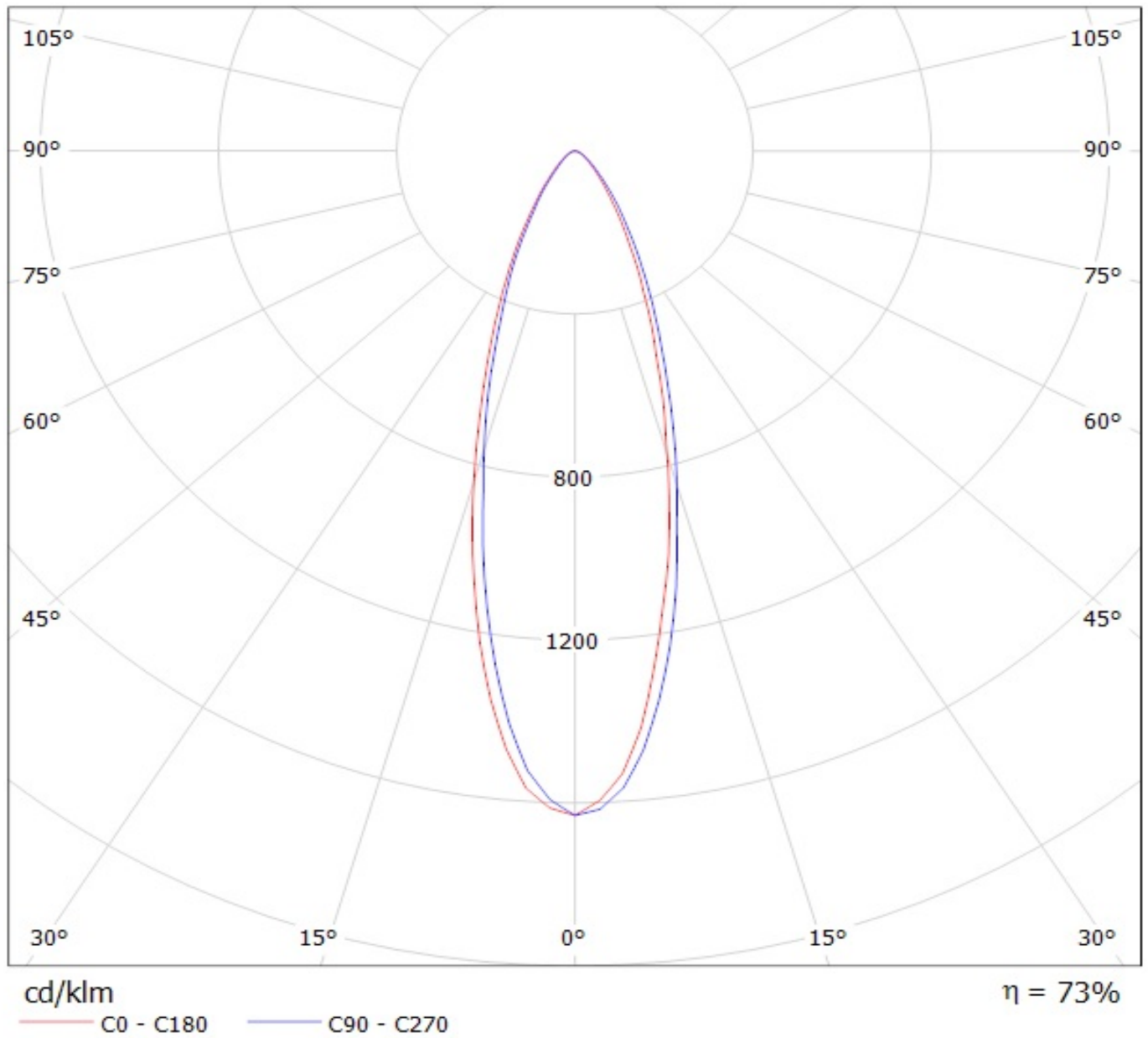
cd/klm

— C0 - C180

— C90 - C270

$\eta = 71\%$

Luminaire: LEDil Oy CP13666\_LARISA-RZ-CLIP16\_(DURIS\_S5) Efficiency=72%  
Lamps: 1 x Osram Duris S5 (GW PSLPS1.EC) 102lm @ 150mA CCT=6300K P=1.0W I=150mA



**NOTE: The typical divergence will be changed by different color, chip size and chip position tolerance. The typical total divergence is the full angle measured where the luminous intensity is half of the peak value.**