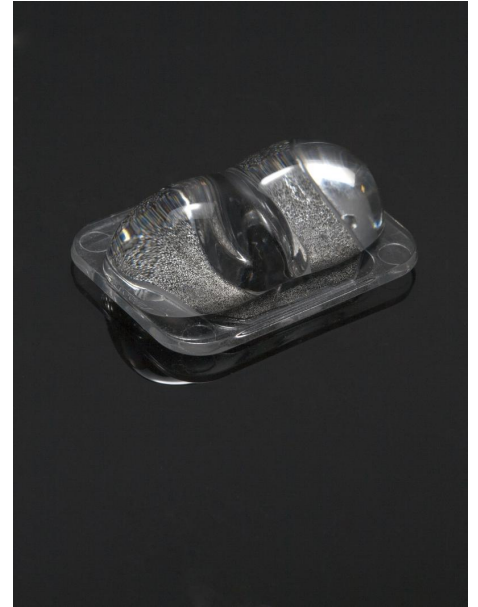


## DETAILS

|                        |                       |
|------------------------|-----------------------|
| <b>Product Number</b>  | C14522_EMERALD-MAXI-A |
| <b>Family</b>          | EMERALD               |
| <b>Type</b>            | Lens                  |
| <b>Color</b>           | clear                 |
| <b>Diameter</b>        | 33 x 25 mm            |
| <b>Height</b>          | 12,2 mm               |
| <b>Style</b>           | rectang               |
| <b>Optic Material</b>  | PMMA                  |
| <b>Holder Material</b> |                       |
| <b>Fastening</b>       | glue, pin             |
| <b>Status</b>          | production ready      |
| <b>ROHS Compliant</b>  | Yes                   |
| <b>Date Updated</b>    | 11/07/2016            |



## OPTICAL PROPERTIES

| LED         | Viewing Angle   | Light Beam   | Efficiency | cd/lm      | Connector |
|-------------|-----------------|--------------|------------|------------|-----------|
| XM-L        | asymmetric deg  | Wide-Area... | 94 %       | 2.000      | -         |
| XM-L2       | asymmetric deg  | Wide-Area... | 92 %       | 1.900      | -         |
| LUXEON M/MX | Asymmetric deg  | Wide-Area... | 92 %       | 1.200      | -         |
| LUXEON MZ   | Asymmetric deg  | Wide-Area... | 93 %       | 2.100      | -         |
| Duris P10   | sim: Asymmetric | Wide-Area... | sim: 87 %  | sim: 1.200 | -         |

D

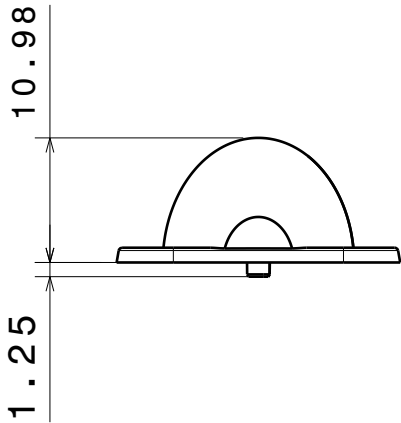
C

B

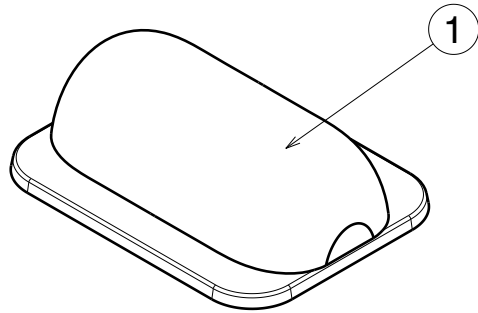
A

4

4



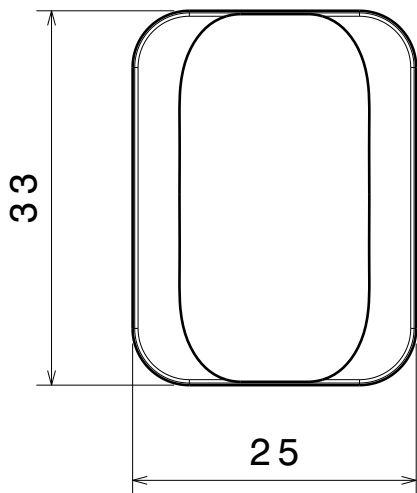
Left view



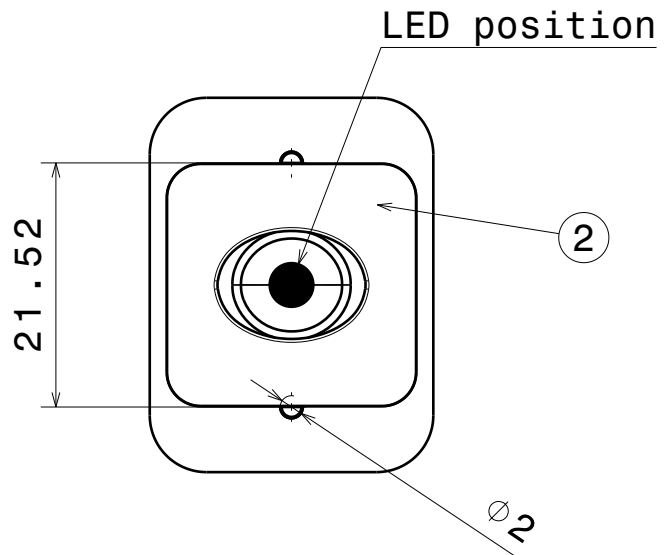
Isometric view

3

3



Top view



Bottom view

2

2

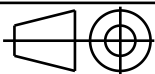
| INDEX | PART NO | DESCRIPTION    | MATERIAL | COLOUR |
|-------|---------|----------------|----------|--------|
| 1     | C14522  | EMERALD-MAXI-A | PMMA     | clear  |

Tolerances if not otherwise shown  
 According to DIN ISO 2768-1  
 Linear measures:  
 Up to 30mm class M, otherwise class C  
 According to DIN ISO 2768-2  
 Form and position: class L

**LEDiL**

Ledil Oy  
 Salorankatu 10  
 FIN 24240 SALO  
 Finland

THIRD ANGLE PROJECTION:



DRAWING TITLE

C14522\_EMERALD-MAXI-A

This drawing is the property  
 of LEDiL Oy. It may not be  
 reproduced, copied or  
 communicated without a written  
 agreement with LEDiL Oy.

SIZE PART NUMBER

A4

C14522

SCALE 3:2 WEIGHT 4,6 g SHEET 1/1

1

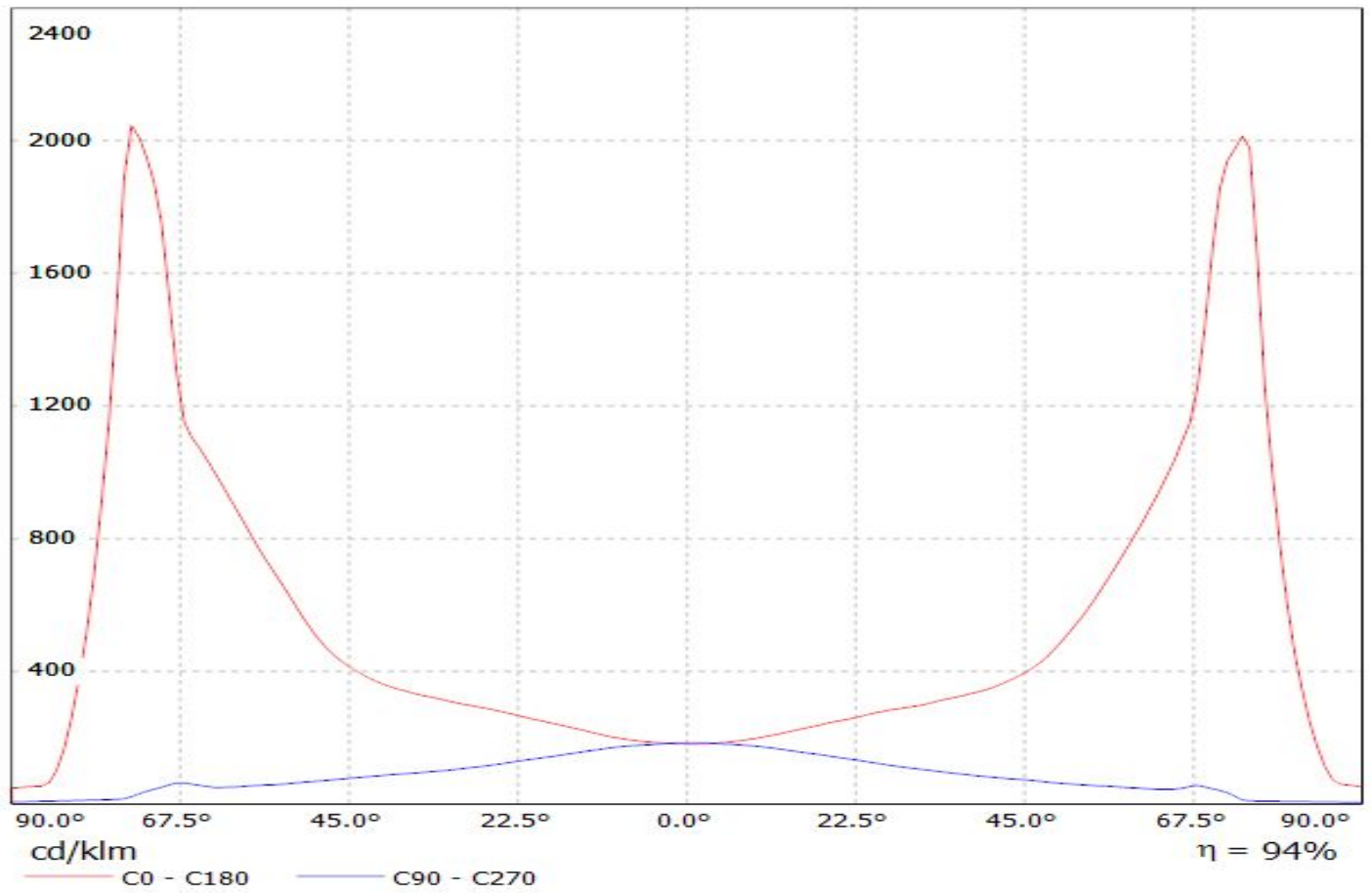
1

D

A

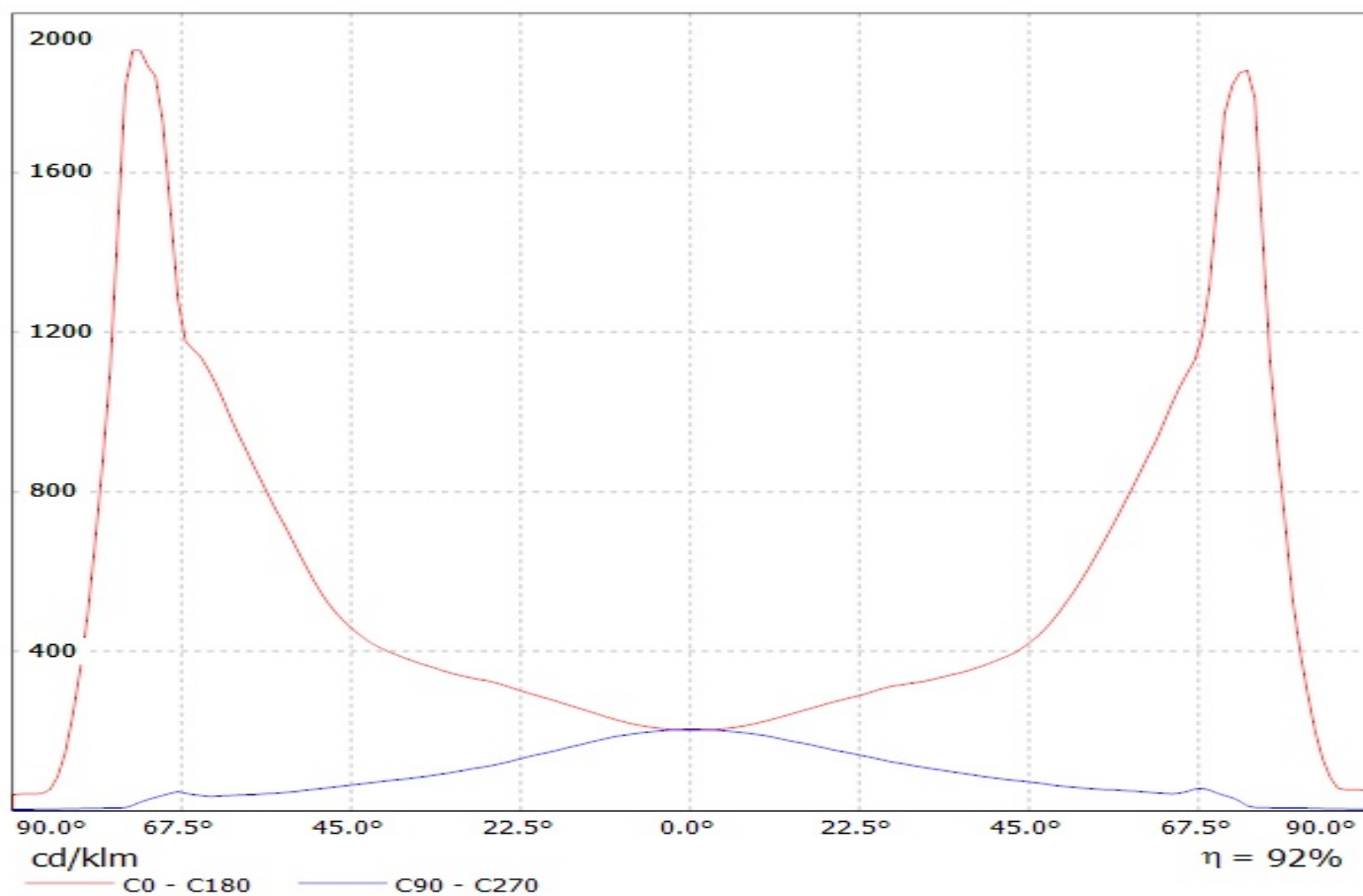
Luminaire: LEDiL Oy C14522\_EMERALD-MAXI-A\_(XM-L)

Lamps: 1 x Cree\_XM-L\_(XMLAWT-00-0000-0000T6051)\_100.001lm@250mA\_P=0.726734W\_I=249.9mA



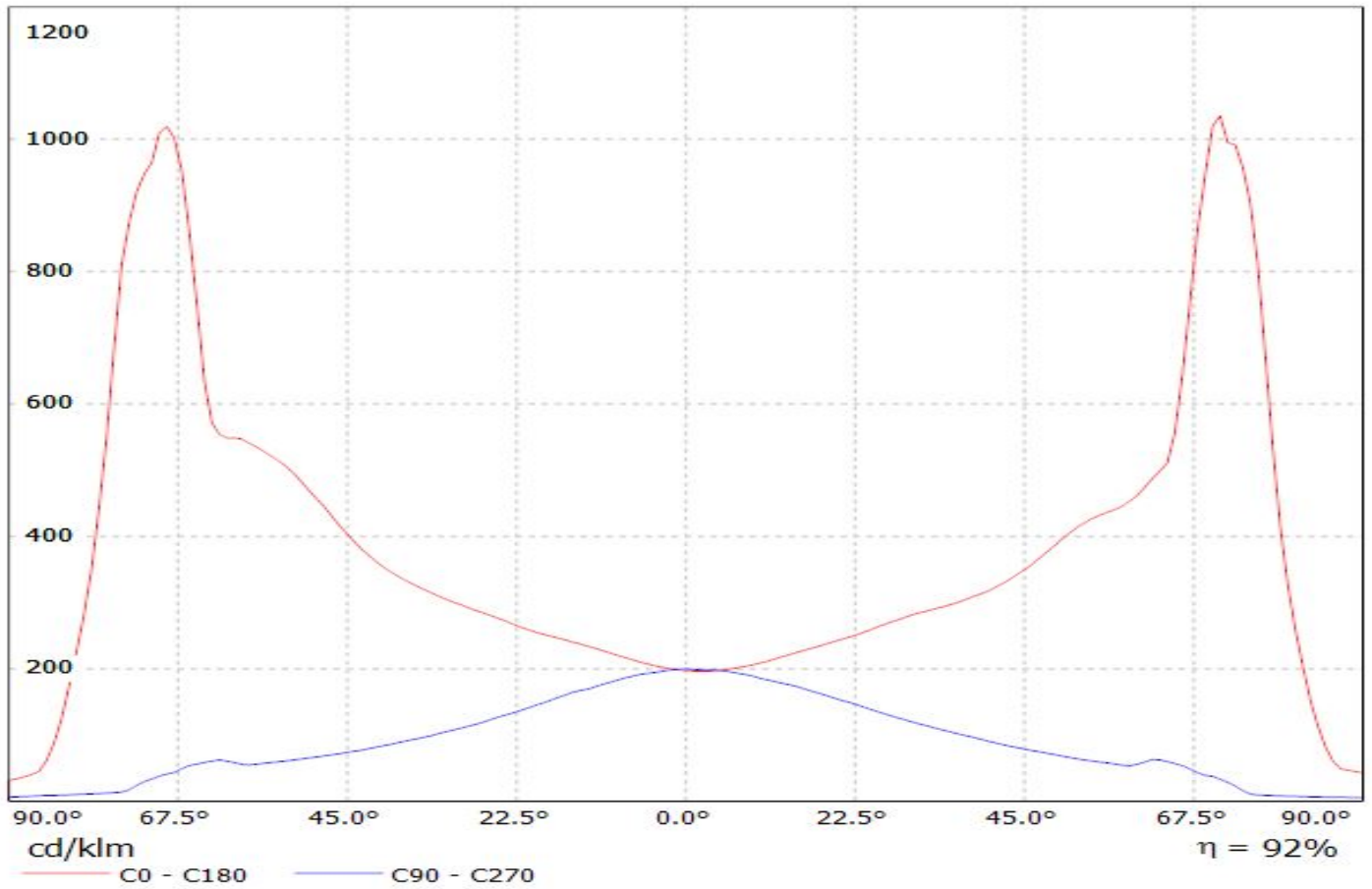
Luminaire: LEDiL Oy C14522\_EMERALD-MAXI-A\_(XM-L2)

Lamps: 1 x Cree\_XM-L2\_(XMLBWT-0-7B4-T30-0L-0001)\_95.8461lm@250mA\_P=0.73733W\_I=249.9mA



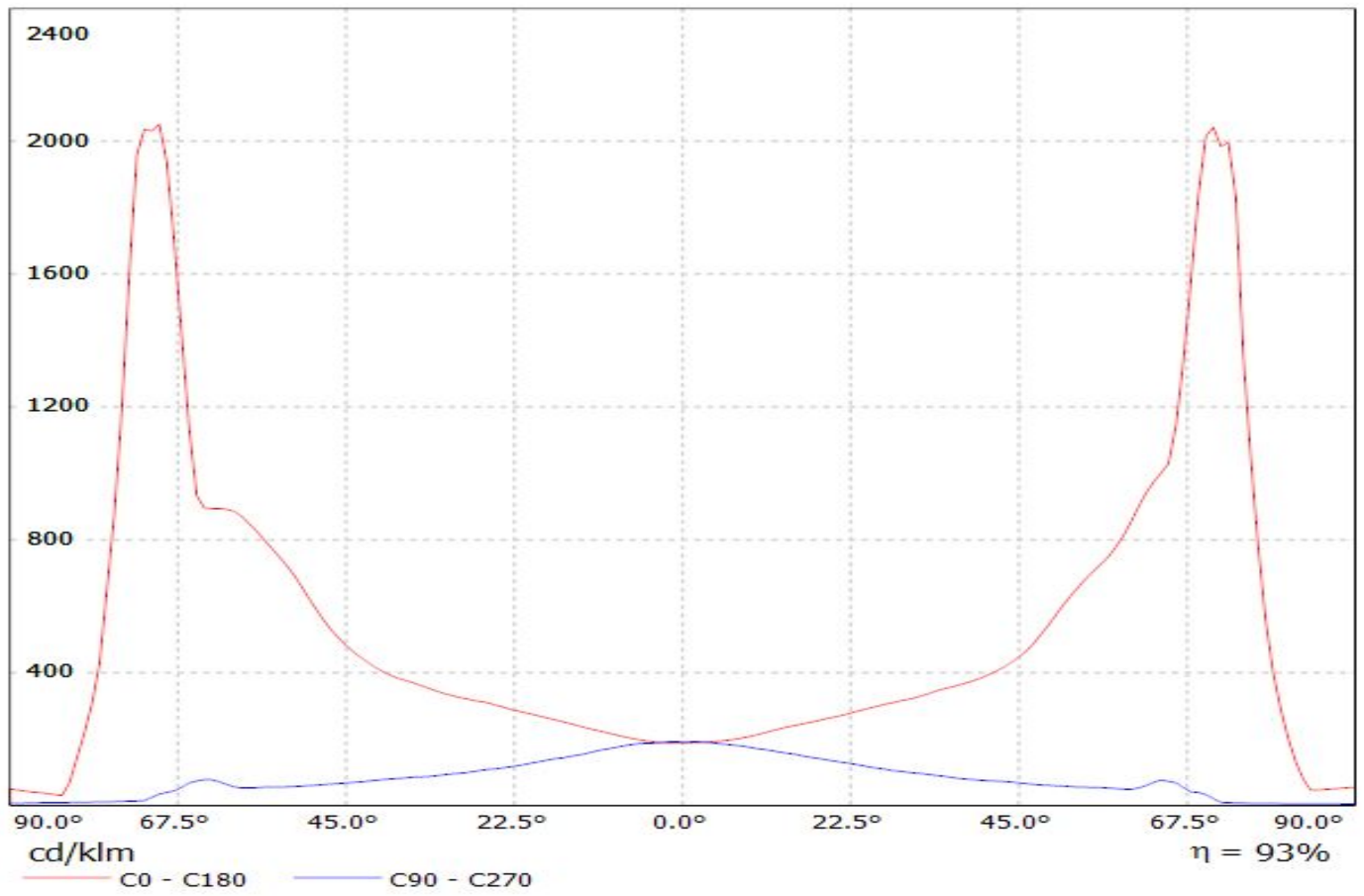
Luminaire: LEDiL Oy C14522\_EMERALD-MAXI-A\_(Luxeon\_M)

Lamps: 1 x Philips\_Lumileds\_Luxeon\_M\_(LXR7-SW40)\_340.429lm@250mA\_P=2.72466W\_I=249.9mA



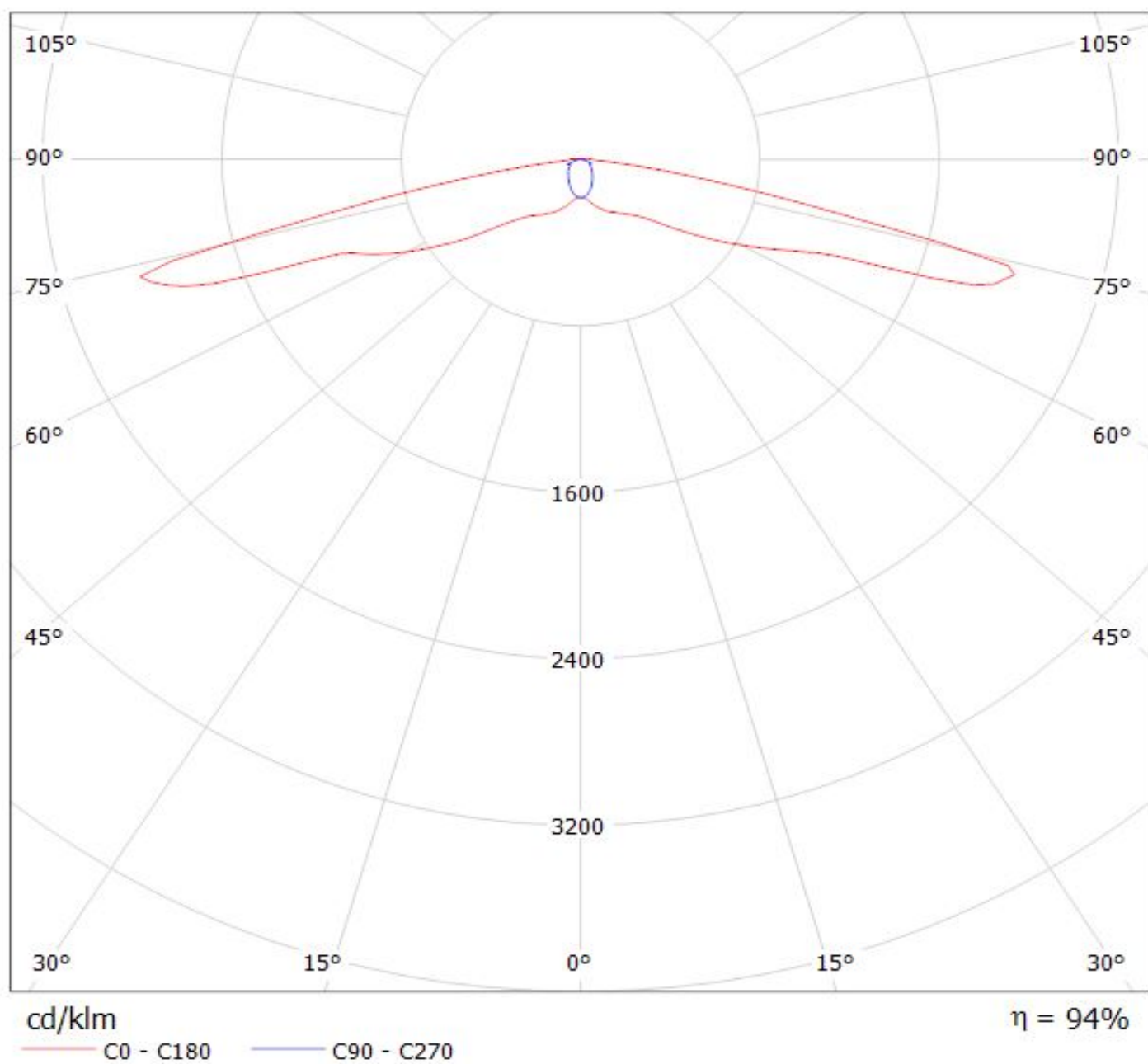
Luminaire: LEDiL Oy C14522\_EMERALD-MAXI-A (Luxeon\_MZ)

Lamps: 1 x Philips\_Lumileds\_Luxeon\_MZ\_(LMZ9-SW30)\_272.416lm@250mA\_P=2.77528W\_I=249.8mA



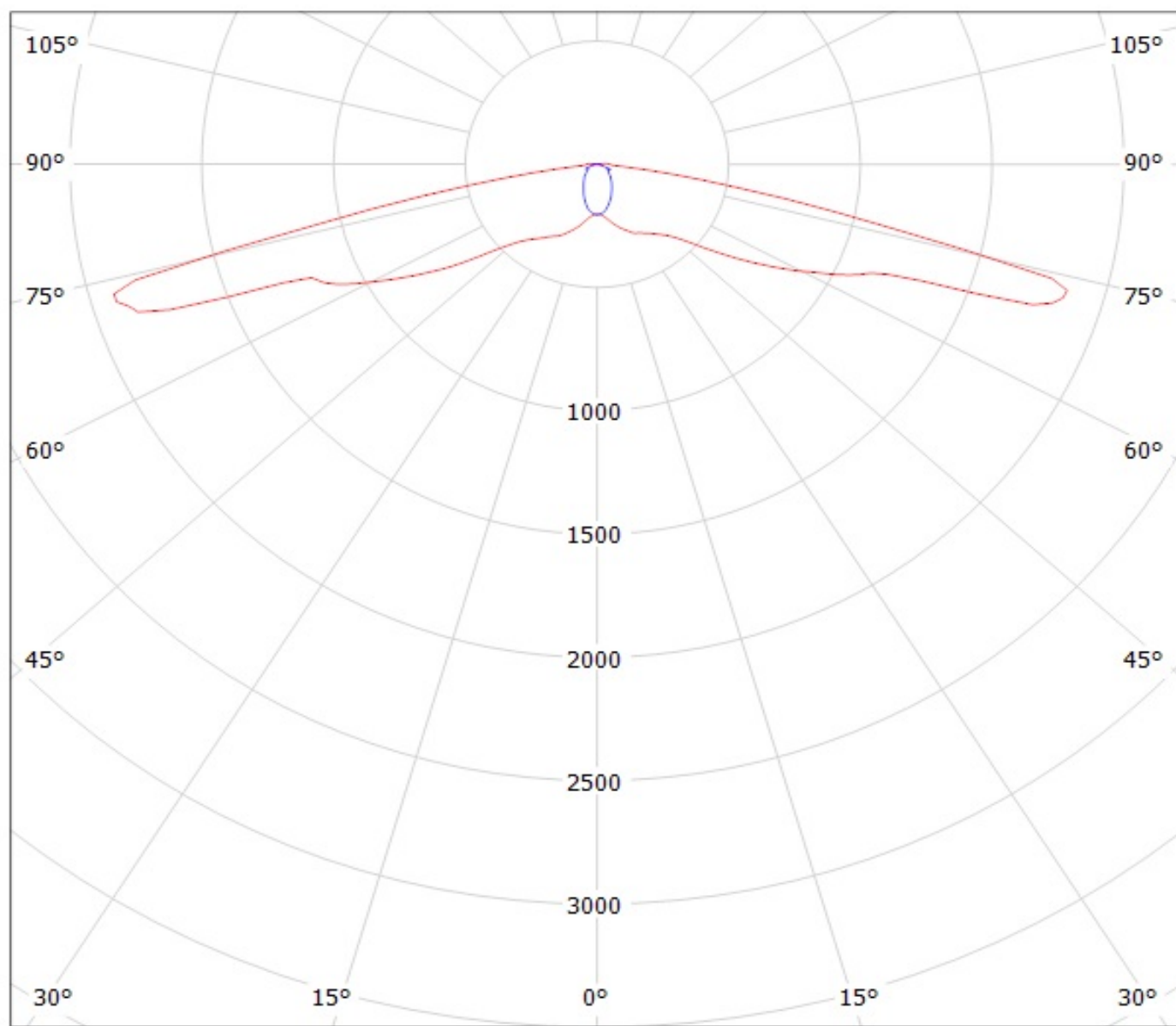
Luminaire: LEDiL Oy C14522\_EMERALD-MAXI-A\_(XM-L)

Lamps: 1 x Cree\_XM-L\_(XMLAWT-00-0000-0000T6051)\_100.001lm@250mA\_P=0.726734W\_I=249.9mA



Luminaire: LEDiL Oy C14522\_EMERALD-MAXI-A\_(XM-L2)

Lamps: 1 x Cree\_XM-L2\_(XMLBWT-0-7B4-T30-0L-0001)\_95.8461lm@250mA\_P=0.73733W\_I=249.9mA



cd/klm

η = 92%

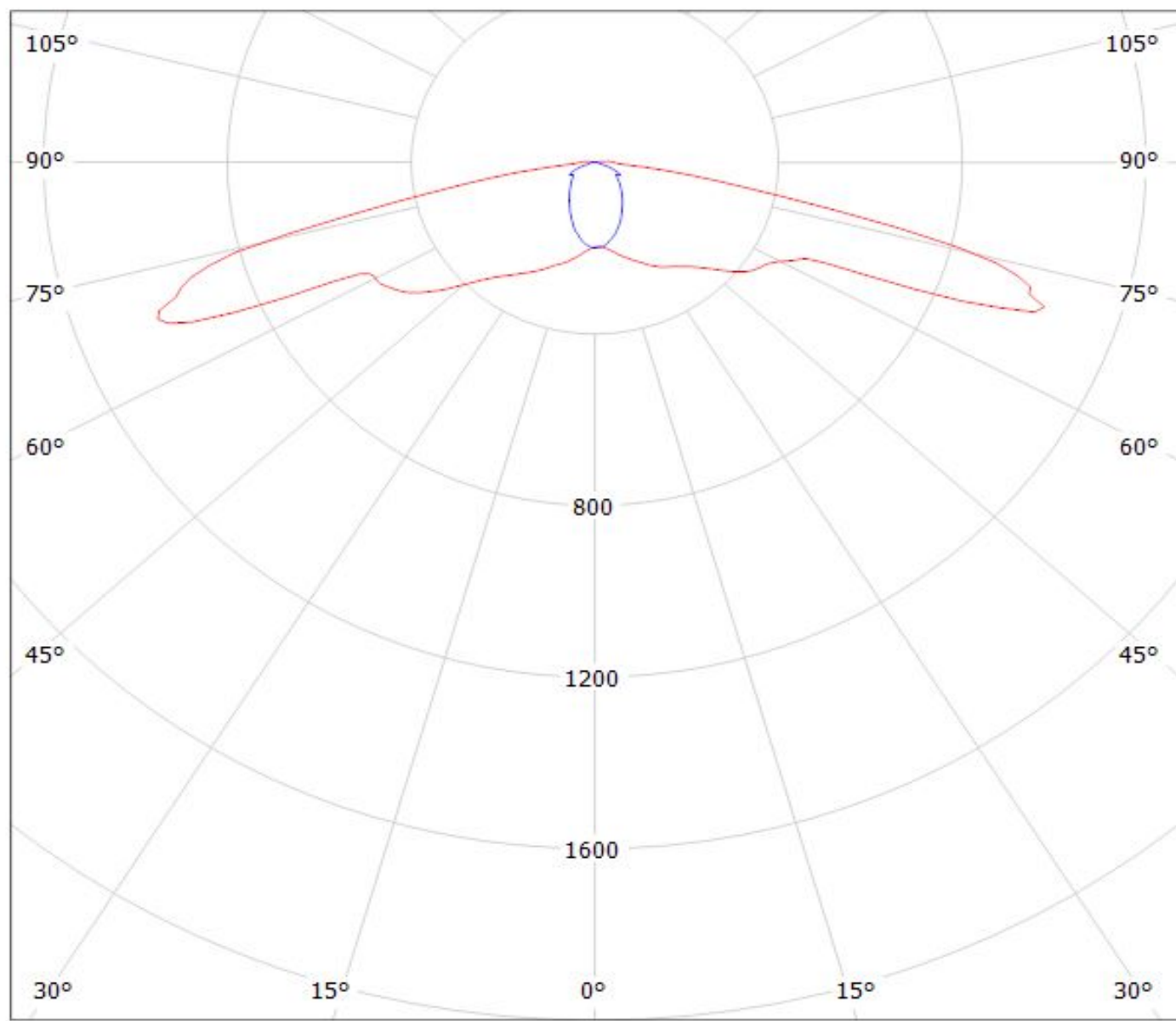
— C0 - C180

— C90 - C270



Luminaire: LEDiL Oy C14522\_EMERALD-MAXI-A\_(Luxeon\_M)

Lamps: 1 x Philips\_Lumileds\_Luxeon\_M\_(LXR7-SW40)\_340.429lm@250mA\_P=2.72466W\_I=249.9mA



cd/klm

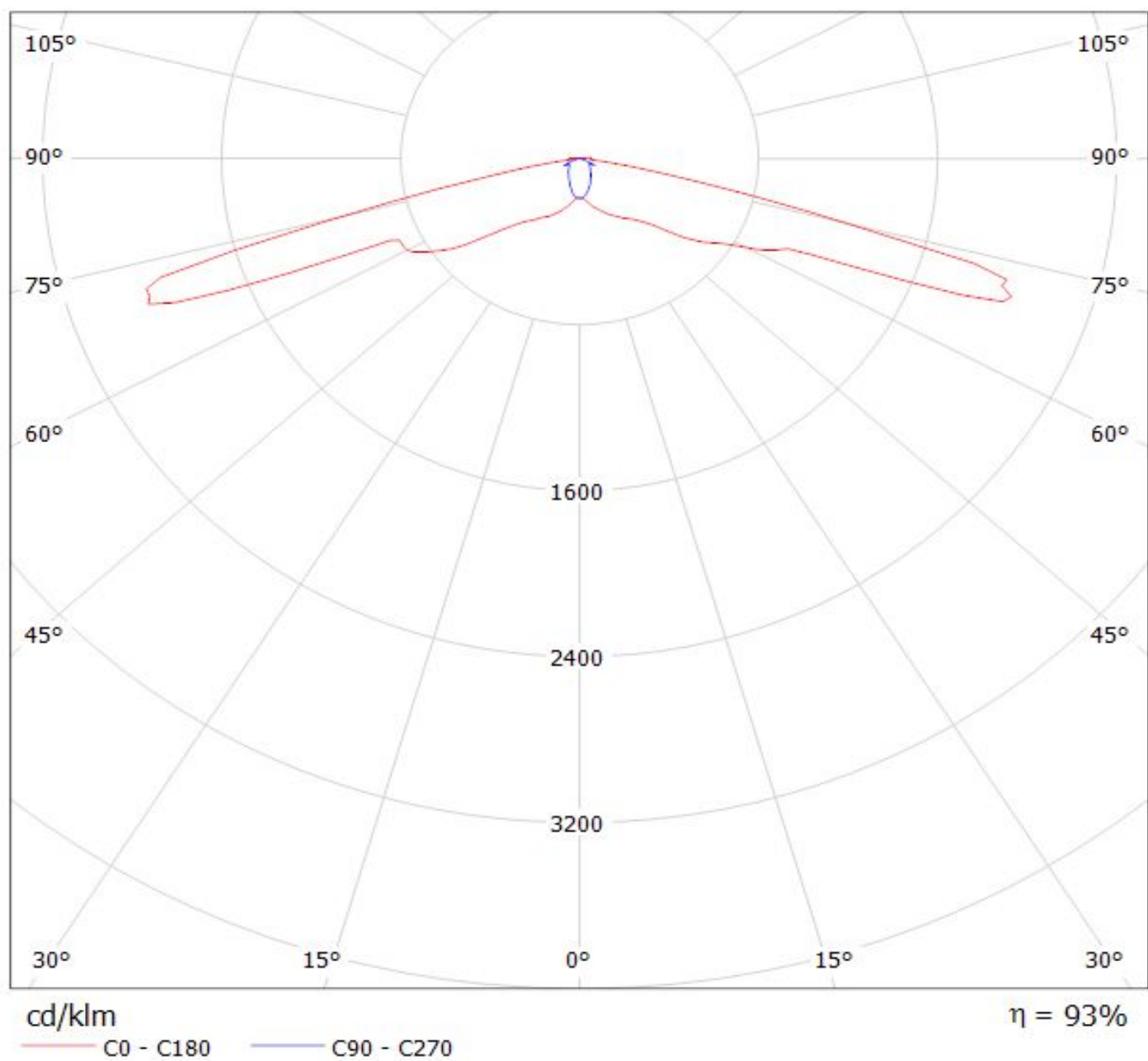
— C0 - C180

— C90 - C270

$\eta = 92\%$

Luminaire: LEDiL Oy C14522\_EMERALD-MAXI-A\_(Luxeon\_MZ)

Lamps: 1 x Philips\_Lumileds\_Luxeon\_MZ\_(LMZ9-SW30)\_272.416lm@250mA\_P=2.77528W\_I=249.8mA



**NOTE: The typical divergence will be changed by different color, chip size and chip position tolerance. The typical total divergence is the full angle measured where the luminous intensity is half of the peak value.**