

Figure 1

1. INTRODUCTION

AMP Extraction Tool 844751-3 is designed to remove AMP .125 Power Blade Contact 63627-1 from AMP .125 Power Blade Housing. Read these instructions thoroughly before attempting to remove any contacts.

NOTE

Dimensions are in millimeters [with inch equivalents in brackets]. Figures are for identification only and are not drawn to scale.

2. DESCRIPTION

The extraction tool consists of a steel blade tip designed with a chamfer mounted to a plastic handle. See Figure 1. The chamfer functions as a latch release, depressing the locking lance to allow extraction of the contact from the housing cavity.

3. EXTRACTION PROCEDURE

1. Determine the contact to be removed.
2. Hold the mating face of the housing toward you and align the tool tip with the appropriate housing cavity. See Figure 2. The tool tip must be positioned so that the *chamfered* side of the tip is facing the locking lance (inside the cavity). See cross-sectional view in Figure 2.
3. Gently insert the tip of the tool into the housing cavity.
4. Push gently on the tool and tilt the tip *away* from the contact or toward the locking lance to release the locking lance from its locking surface. Refer to cross-sectional view in Figure 2.
5. Pull back on the wire to remove the contact from the wire-entry (rear) face of the housing.

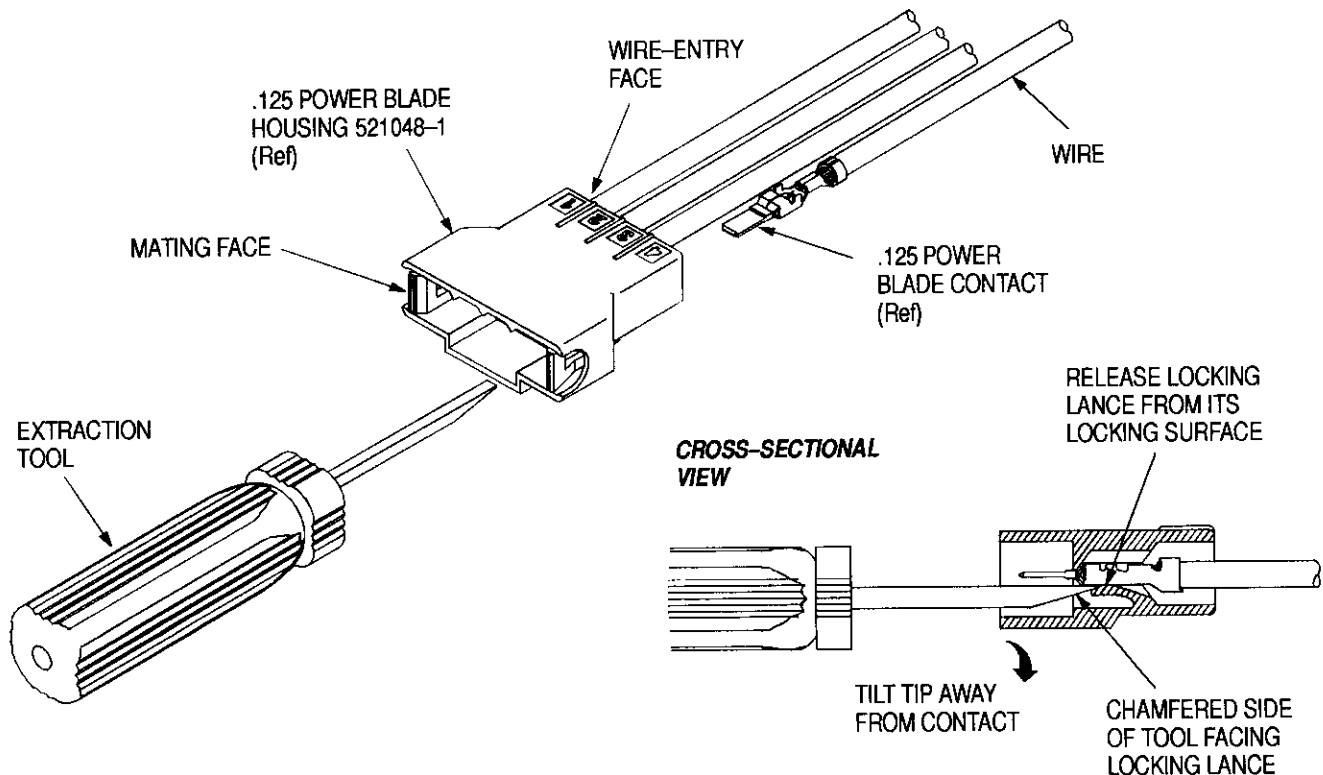


Figure 2

NOTE

Do NOT use excessive force when extracting a contact from the housing cavity. If a contact is difficult to remove, re-insert the tool tip, making sure the tip is properly positioned and repeat the extraction procedure.

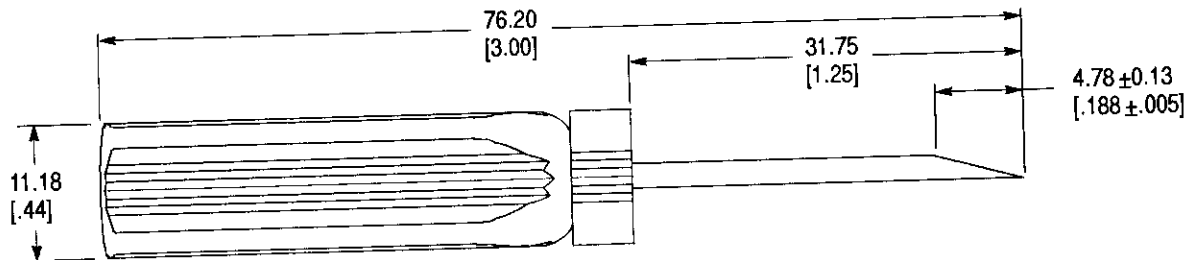
The tool is not repairable, and it should be replaced when it is worn or damaged. Store the extraction tool in a clean, dry place and clean the extraction tool with a soft, lint-free cloth.

Additional extraction tools can be purchased from:

4. TOOL INSPECTION AND MAINTENANCE

It is recommended that the tool be inspected when you receive it to ensure that it has not been damaged during shipment, and that the tool conforms to the dimensions provided in Figure 3.

CUSTOMER SERVICE (38-35)
AMP INCORPORATED
PO BOX 3608
HARRISBURG PA
17105-3608



NOTE: NOT TO SCALE

Figure 3