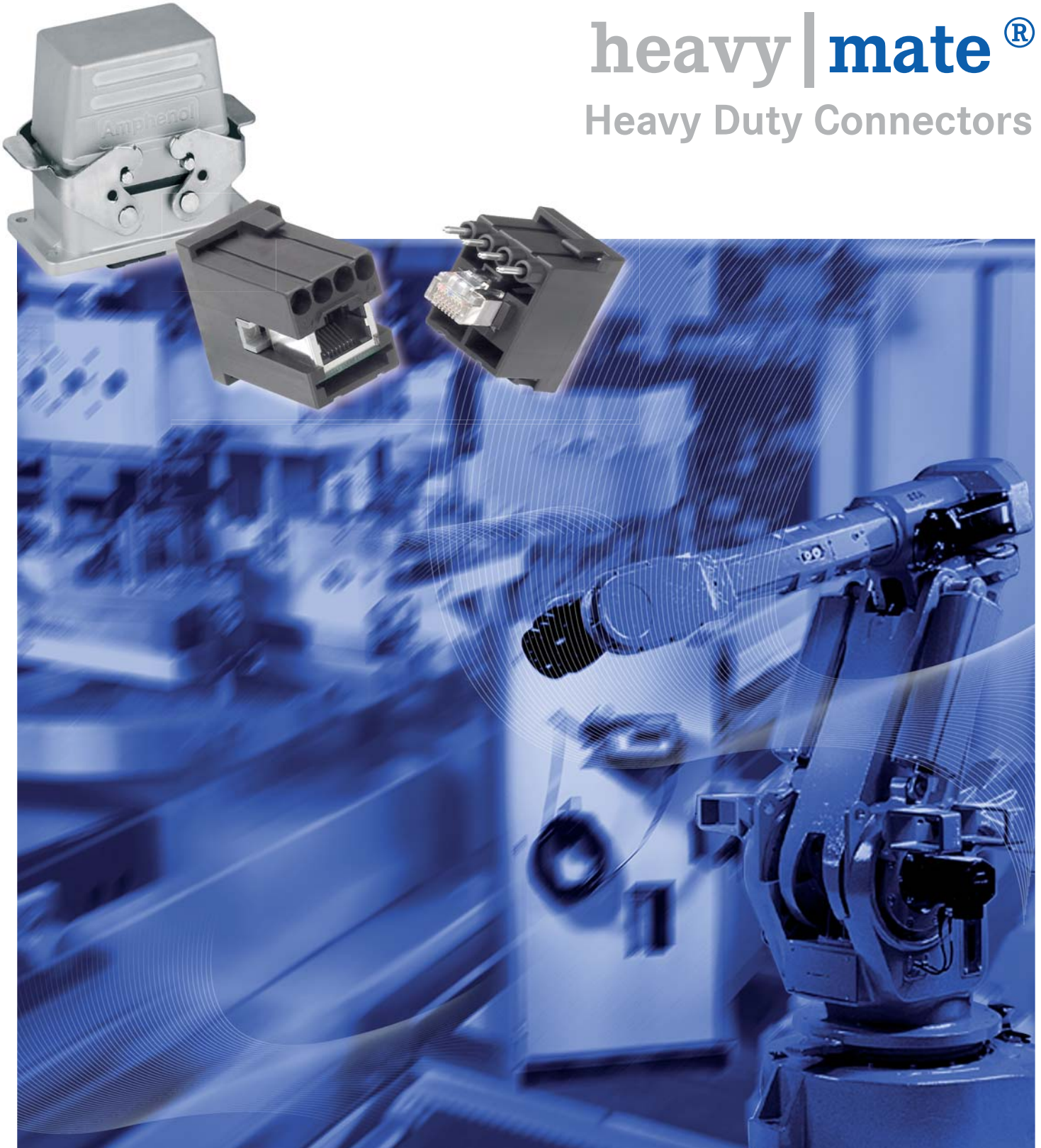


heavy | mate[®]

Heavy Duty Connectors



Note from the CEO



Ladies and Gentlemen,

For over 75 years Amphenol has enjoyed success as the interconnection technology provider of choice to industry-leading companies around the world. One of our key strategic areas of focus has been and is the Industrial market. Our organization works with leading manufacturers across a wide range of applications - including Energy Generation & Distribution, Transportation, Heavy Equipment, Factory Automation, Wireless Outdoor, ChipCard Readers - enabling smarter, faster and better technologies to connect products to customer solutions.

The Industrial market footprint of Amphenol covers over facilities in more than 12 different European countries and more than 30 countries worldwide. Our successful expansion into new regions as well as new industrial applications is a direct reflection of our agile, entrepreneurial management team and our unwavering commitment to execute Amphenol's strategies for the benefit of our customers, shareholders and employees.

Thank you for partnering with Amphenol. Our entire organization is at your service.

A handwritten signature in black ink, appearing to read 'R. Adam Norwitt'. The signature is fluid and cursive, with a long horizontal stroke at the end.

R. Adam Norwitt
President and CEO, Amphenol Corporation

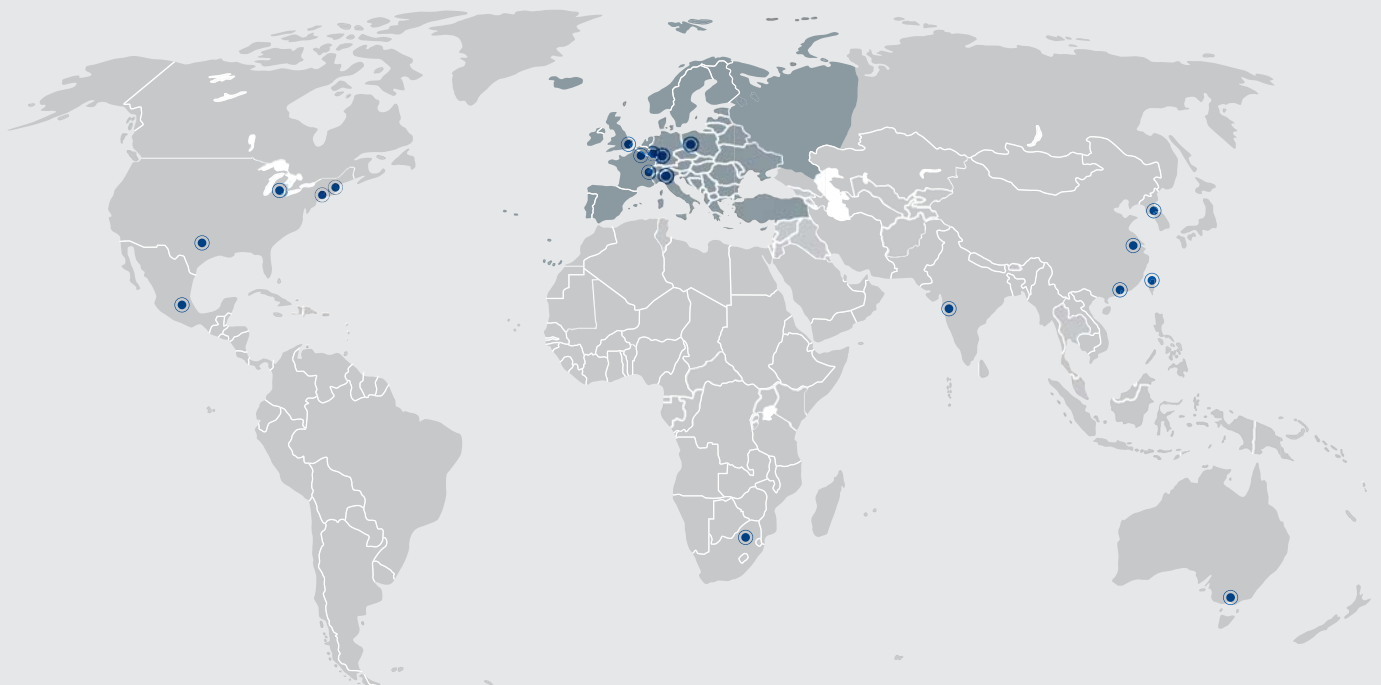
Make use of the best

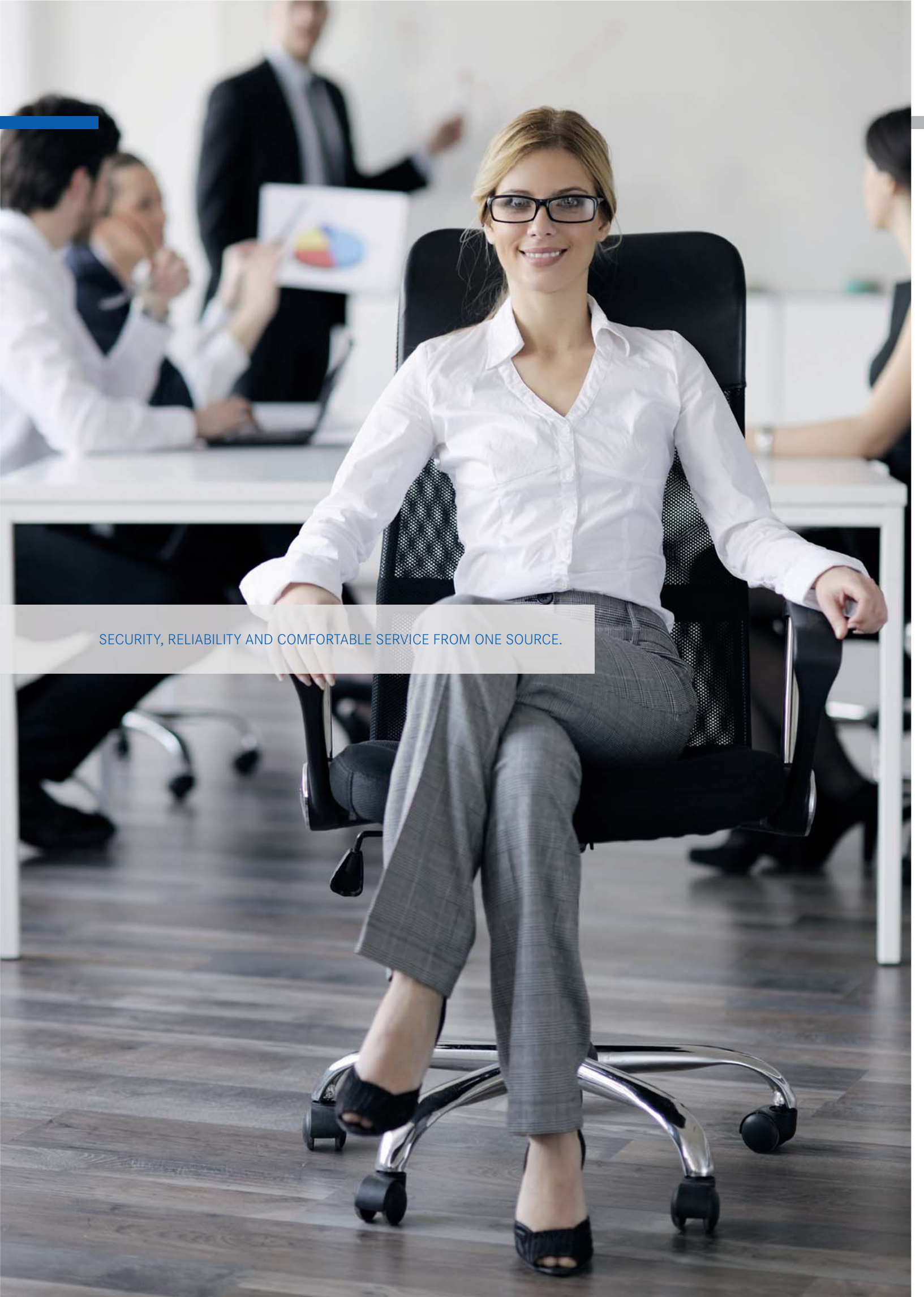
Use our global resources

“Think global, act local!” Independently from where you are in Europe, we offer you our global expertise and great variety of products and technologies. And in comfort with your personal contact. Our numerous European offices are your access to our global resources.

● OUR OFFICES IN EUROPE AND WORLDWIDE

FRANCE	CHINA	AUSTRALIA	SOUTH AFRICA
GERMANY	KOREA	MEXICO	INDIA
UNITED KINGDOM	TAIWAN	USA	ITALY





SECURITY, RELIABILITY AND COMFORTABLE SERVICE FROM ONE SOURCE.

More time for important things: benefit from our service and diversity

Enjoy security, reliability and comfortable service from one source. INDUSTRIAL@AMPHENOL offers one of the most individual and most diversified service programmes in the market – exclusively for industrial customers. Access all possibilities of the Amphenol group through your personal expert adviser.



WIDE PRODUCT RANGE

Take advantage of a choice of Amphenol products. Our broad product portfolio offers individual solutions from more than 85 member companies in the global Amphenol group.



EXCLUSIVENESS AND FLEXIBILITY

One face to the customer: every inquiry is handled on an individual service level by your personal key account service partner. This ensures maximum transparency and best-in-class flexibility in the whole process.



QUALITY

Interconnect systems need reliability, speed and flawless data transmission. We continuously test and guarantee the required standard in our products – and also in our personal services.



INDIVIDUAL SOLUTIONS

Your project requires an individual solution that is not available off-the-shelf? As your think tank and discussion partner we provide engineering support and solution-oriented development for your tailor-made Amphenol product.



SPEED AND AVAILABILITY

Smart and intelligent processes are the secret behind our service programme. Flexible planning and distribution, perfect logistics and highest availability are our key factors for best customer service.



GLOBAL KEY ACCOUNT SERVICE

Our key account service is your individual entrance to global know-how, products and services. More than 85 Amphenol companies around the world offer an extensive range of technologies and products. We offer access to our worldwide resources through one individual contact person.

heavy | mate[®] is a Modular Metal Connector Line

What is heavy | mate[®] ?

heavy | mate[®] is a modular connector line, consisting of:

- Hoods & Housings
- Inserts
- Contacts

Why heavy | mate[®] ?

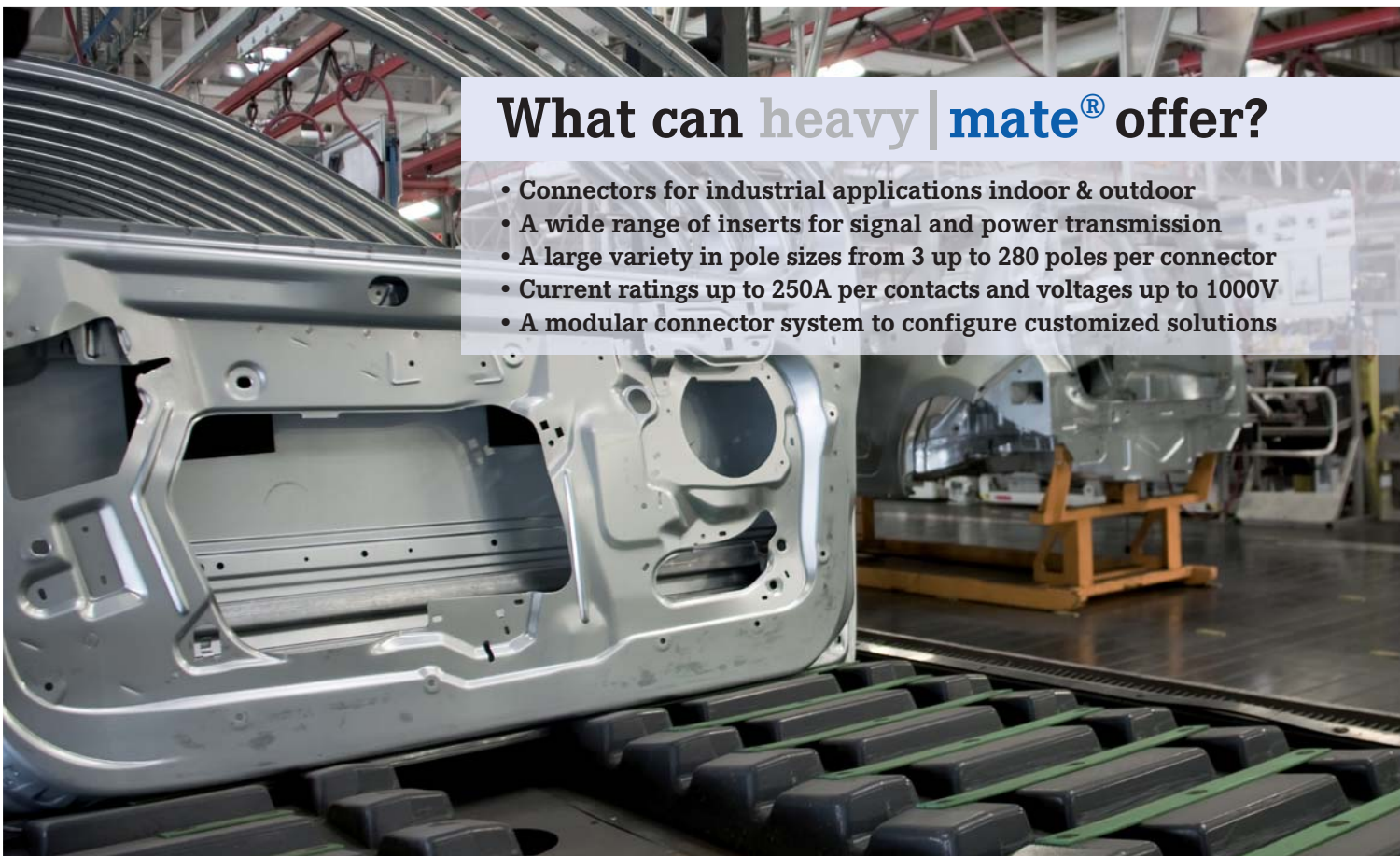
- Connections in harsh industrial environment
- Robust design necessary
- High number of poles or different kinds of signals transmitted
- Very good EMC protection required
- Power and signal transmission outdoor
- Very safe locking system required

for Applications in Industrial Environments.



Major product features

- Hybrid interconnections
- Good costs
- Voltage up to 1000V
- VDE, UL, CSA approvals
- Vibration proof
- High current
- Signal transmission
- High pole sizes
- IP65 to IP68
- Corrosion resistance
- Robust



What can heavy | mate[®] offer?

- Connectors for industrial applications indoor & outdoor
- A wide range of inserts for signal and power transmission
- A large variety in pole sizes from 3 up to 280 poles per connector
- Current ratings up to 250A per contacts and voltages up to 1000V
- A modular connector system to configure customized solutions

How to select a solution with series heavy | mate®.

Theory

- Select an insert that meets your requirements.
- Choose the related contacts if not included in inserts.
- Choose related housings.
- Choose related cable gland.
- If you are interested in a cable assembly, please ask us.

Practice 1

Requirements

- 250V
- 5A
- 60 contacts
- Termination: crimp

Solution

- Check: Make a pre-selection on the overview page of the series, s. p. 10/11
Possible series: heavy | mate® D, DD and M
- Check: Details on the overview pages of the sub-series, see pages 22, 38, 126
All 3 variants are possible; Selection heavy | mate® D
- Check: Contact inserts on the detail page of the sub-series
Selection: C146 10A064 000 2
- Check: Contacts on the same double page
Selection: VN01 016 0002 1
- Check: Housings via crosslink at contact inserts
Selection: C146 21R024 600 8
- Check: Gland bushing via crosslink at housings
Selection: VN16 320 0126X



Practice 2

Requirements

- 3 x 400V; 50A; 6mm² wire gauge
- 8 x 250V; 8A; 1.5mm² wire gauge
- 5 x 400V; 15A; 4mm² wire gauge

Solution

- **Check:** Make a pre-selection on the overview page of the series, see pages 10/11

Possible series: heavy | [mate](#)[®] M

- **Check:** How 16 contacts can be realized, see modules overview on page 130

Possible selection: a) 1 x 20 contacts

b) 2 x 10 contacts

c) 1 x 10 contacts + 2 x 5 contacts

d) 1 x 3 contacts + 1 x 5 contacts +
1 x 10 contacts

- **Check:** Technical parameters / solution, see detail pages of the modules on page 138

Possible selection: a) not possible due to voltage

b) not possible due to voltage

c) not possible due to current

d) POSSIBLE

- **Check:** Choose matching contact, see detail page of the modules on page 138

Possible selection: a) C146 A03 001 E8 - VN01 036 0002 1C

b) C146 A05 001 E8 - VN01 025 0033 1C

c) C146 A10 001 E8 - VN01 016 0027 1C

- **Check:** Choose matching frame, see frames on page 136

Solution: C146 P10 001 G8

- **Check:** Choose matching housing, see housings on page 184

Solution: C146 21R010 600 8

Make your selection out of the heavy | mate[®] series!

Series Characteristic	A page 14	D page 22	DD page 38	E page 44	EE page 62	E / FE / KO page 68	F page 74
Voltage							
250V	●	●	●	●	●	●	●
400V	●			●	●	●	●
500V				●	●		●
690V							●
830V							●
1000V							●
Current							
10A	●	●	●	●	●	●	●
16A	●			●	●		●
35A							●
80A							●
100A							●
200A							
Numbers of contacts							Modules for
	3	7	24	6	10	6	2
	4	8	42	10	18	10	3
	10	15	72	16	32	16	4
	16	25	108	24	46	24	6
		40					2x4
		64					8
							12
							17
							20
Termination							
Crimp		●	●	●	●		●
Screw	●			●		●	
Tension spring				●			

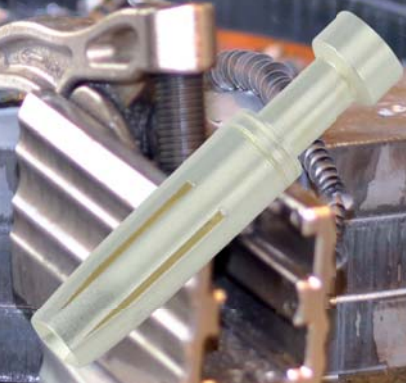
Cross reference list see www.amphenol.de/xref/

HSE page 104	HvE page 108	K page 118	M page 126	Q page 168	Housings page 184	Accessories page 251	Series Characteristic
							Voltage
●	●	●	●	●			250V
●	●	●	●	●			400V
	●	●	●	●			500V
	●	●	●	●			690V
		●	●				830V
			●				1000V
							Current
●	●	●	●	●			10A
●	●	●	●	●			16A
●		●	●	●			35A
		●	●				80A
			●				100A
			●				200A
Modules for				Numbers of contacts			
6	3+2 6+2 10+2 16+2	4 / 0 4 / 2 6 / 36 4 / 8	1 2 3 4 5 10 20	5 4/2 7 8 12 17			
							Termination
		●	●	●			Crimp
●	●	●					Screw
							Tension spring

The highlights of the series heavy|mate®.

Contact technology

- Turned contacts, which correspond to the market standard.
- Turned female contacts of copper for higher current-carrying capacity – specifically for the modular system heavy|mate® M.
- Radsok contact technology: These are laminated contacts with very low transition resistance, suitable for high current applications.
- Stamped contacts with high performance for semi-automatic processing at great cost savings.
- Selectively coated gold plating stamped contacts offer great savings.



Housings

Surface coatings available in two versions: Standard or High-End with a salt mist resistance up to 500 hours.

Flexible cable entry in different positions – possible on request.

Tightness classes in IP65, IP67 or IP68!

Robust metal levers in 1 and 2 locking-lever-system.

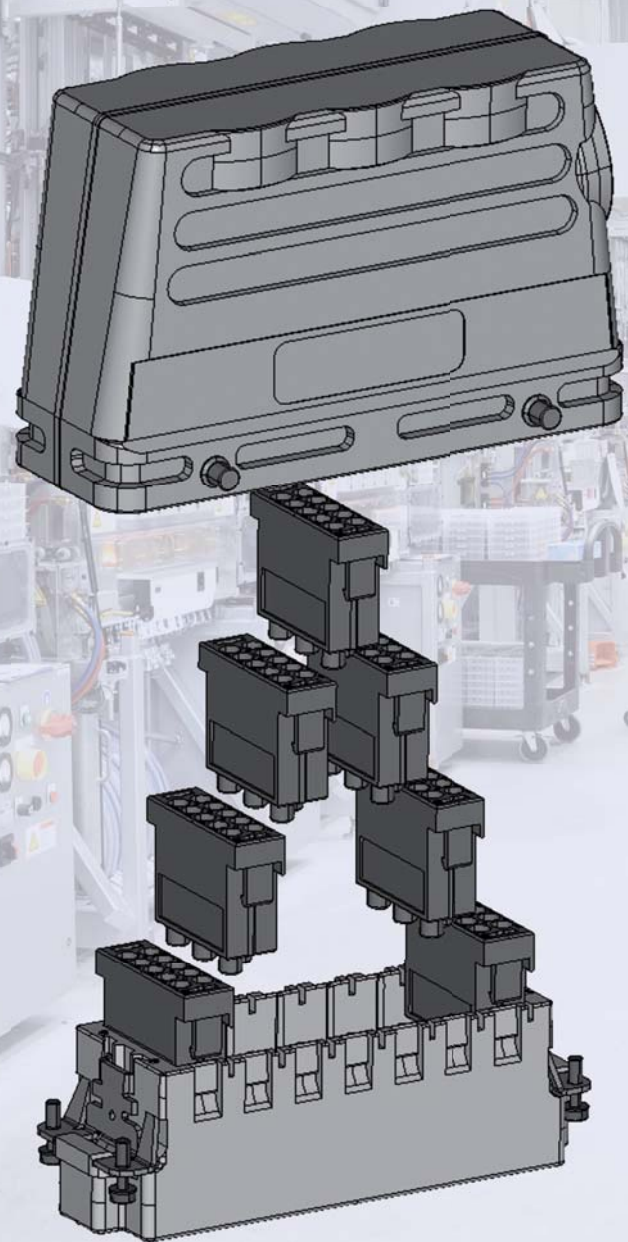
Quality EMC solutions.



Modular system

With the new series heavy |mate® F Amphenol offers a new modular system that is compatible with the market leader. With the series heavy |mate® M Amphenol offers a system with many benefits:

- More module slots in the connector.
- Large selection of contact-safe male contacts
- Stamped contacts and the Radsok contact technology
- Great cost savings potential






The background of the advertisement is a dynamic industrial scene. In the upper portion, there are blurred bokeh lights in shades of blue and yellow, suggesting a factory or workshop environment. The lower portion is dominated by a shower of bright, glowing orange and yellow sparks falling from a point of contact, likely a grinding or cutting process. The overall lighting is dramatic, with strong contrasts between the bright sparks and the darker, shadowed machinery.

heavy | mate[®] A

- Rated voltage 250 / 400 V
- Rated current 14 A ... 18 A
- Termination: screw
- Number of contacts: 3, 4, 10, 16, 32



Approvals, Testhouse	Characteristics	Approval-Number
SEV 	250 V, 10 A	
UL 	600 V, 14 A	E 63093
CSA 	600 V, 10 A; 16 A; 20 A	LR 700721

In general approvals refer to representative versions of the connector series. Extent and specification of tests upon request.

heavy|mate® A General information

General information

- For series heavy|mate® A connectors may be engaged or disengaged when live but without electrical load. If these connectors are used as plug and socket device, the load shall be reduced to 10 % of the rated current.
- Low and high profile housing for heavy|mate® A series inserts for 10 and 16 contacts.

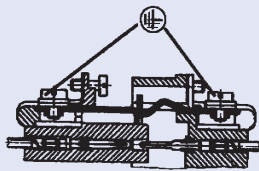


No standard for this series, but:

- Interchangeable with other makes
 - a) contact insert to contact insert
 - b) contact insert to housing 10 ,16 contacts

Housings are designed according to DIN EN 175 301 - 801

First-to-mate last-to-break protective ground contact



Range of housings

Size A3/4



Size A10



Size A16

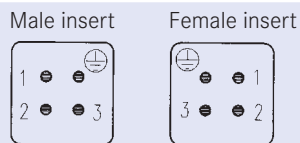


heavy|mate® A Characteristics contact inserts

General Characteristics	Standard	Value			
Number of contacts		3/4 + ⊕	10 + ⊕	16 + ⊕	32 + ⊕
Termination technique		screw			
Wire gauge		0.25 - 2.5 mm ²			
Flammability	UL 94	V-0			
Electrical Characteristics					
Rated voltage	IEC 60664-1	400 V	250 V		
Pollution degree	IEC 60664-1	3			
Installation (overvoltage) category	IEC 60664-1	III			
Material group	IEC 60664-1	III b			
Rated impulse withstand voltage	IEC 60664-1	4 KV			
Current carrying capacity	IEC 60512-5-2	see derating curves			
Rated current T _{amp} = 40 °C		18 A	16 A	14 A	14 A
Contact resistance	IEC 60512-2-1	≤ 5 mΩ			
Insulation resistance	IEC 60512-3-1	≥ 10 ¹⁰ Ω			
Climatical Characteristics					
Climatic category	IEC 60068-1	40 / 100 / 21			
Upper temperature	IEC 60512-11-9	+ 100 °C			
Lower temperature	IEC 60512-11-10	- 40 °C			
Mechanical Characteristics					
IP-degree of protection pin insert ¹⁾	IEC 60529	unmated IP00	mated IP20		
IP-degree of protection socket insert ¹⁾	IEC 60529	unmated IP20	mated IP20		
Weight pin insert		13 g	48 g	68 g	136 g
Weight socket insert		13 g	52 g	73 g	146 g
Mechanical operation	IEC 60512-9-1	≥ 500 mating cycles			
Materials					
Insert		PA	PBT	PBT	PBT
Contacts		Cu Zn (brass)			
Contact plating		Ag (silver)			

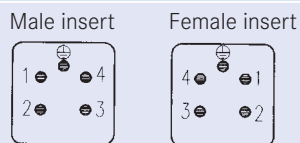
Description	Part Number	Drawing	Figure
Contact insert 3 + Ⓢ			
Male insert for screw termination	C146 10A003 002 4		
Female insert for screw termination	C146 10B003 002 4		

Pin layout

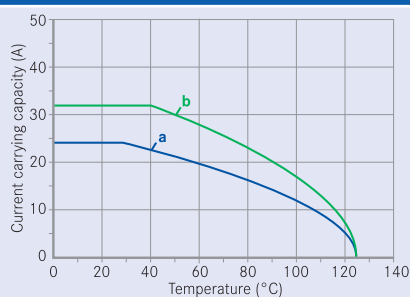


Description	Part Number	Drawing	Figure
Contact insert 4 + Ⓢ			
Male insert for screw termination	C146 10A004 002 4		
Female insert for screw termination	C146 10B004 002 4		

Pin layout



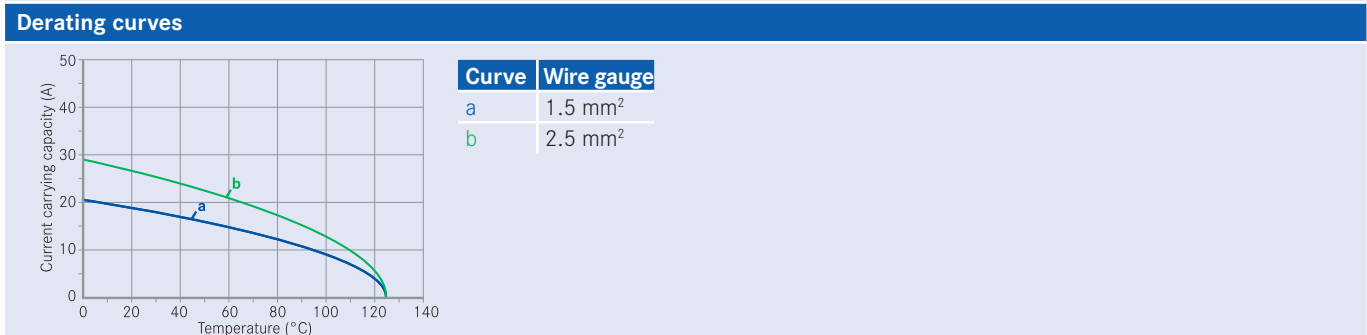
Derating curves



Curve	Wire gauge
a	1.5 mm ²
b	2.5 mm ²

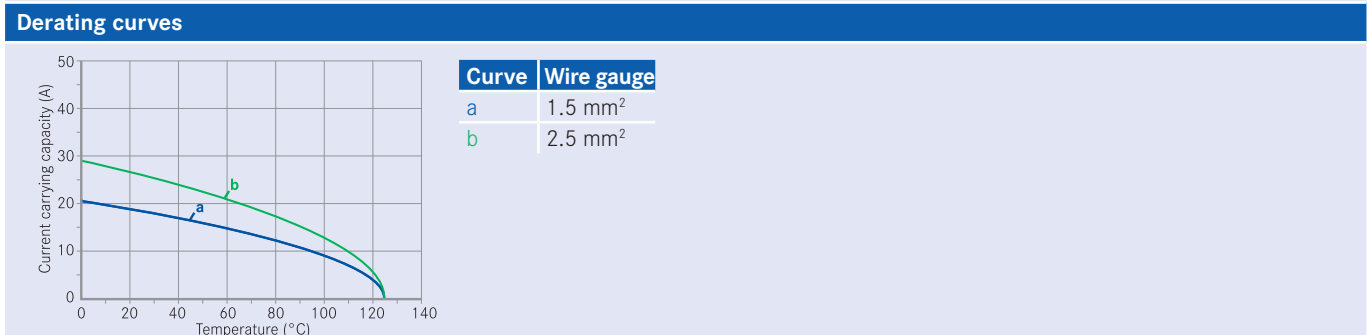
Description	Part Number	Drawing	Figure
Contact insert 16 + ⊕			
Male insert for screw termination	C146 10A016 002 4		
Male insert with wire protection for screw termination	C146 10A016 102 4		
Female insert for screw termination	C146 10B016 002 4		
Female insert with wire protection for screw termination	C146 10B016 102 4		

Pin layout		Assembly instruction	
Male insert	Female insert	Panel cut out (insert)	



Description	Part Number	Drawing	Figure
Contact insert 32 + ⊕			
Male insert for screw termination	C146 10A016 002 4 (1 - 16) + C146 10A016 004 4 (17 - 32)		
Male insert with wire protection for screw termination	C146 10A016 102 4 (1 - 16) + C146 10A016 104 4 (17 - 32)		
Female insert for screw termination	C146 10B016 002 4 (1 - 16) + C146 10B016 004 4 (17 - 32)		
Female insert with wire protection for screw termination	C146 10B016 102 4 (1 - 16) + C146 10B016 104 4 (17 - 32)		

Pin layout	Assembly instruction
<p>Male insert Female insert</p>	<p>Panel cut out (insert)</p>








heavy | mate[®] D

- Rated voltage 250 V
- Rated current 10 A ... 16 A
- Termination: crimp
- Number of contacts: 7, 15, 25, 40, 50, 64, 128



Approvals, Testhouse	Characteristics	Approval-Number
SEV 	250 V, 10 A	
UL 	600 V, 14 A 600 V, 15 A (high current)	E 63093
CSA 	600 V, 10 A	48932

In general approvals refer to representative versions of the connector series. Extent and specification of tests upon request.

General information

- Contact inserts without crimp contacts, crimping tools see separate catalogue „Tools“.
- Contacts must be ordered separately, processing instructions see catalogue „Tools“.
- We recommend using the high profile housings / hoods for the heavy|mate® D inserts.
- Connectors series heavy|mate® D may be engaged or disengaged when live but without electrical load.
If these connectors are mated or unmated under load, the load shall be reduced to 10 % of the rated current.
- For contact inserts for turned contacts, guide pins and guide socket are recommended (see page 256).
- By using contact inserts with two PE-connections without hoods, it is necessary to connect the facing of each PE-connection.
- If connectors are mounted in non conductive housings both protective earthing terminals shall be mounted.



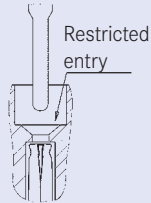
Standardised connectors according to DIN EN 175 301 - 801 (DIN 43652)

Interchangeable with all other products which are according to the standard.

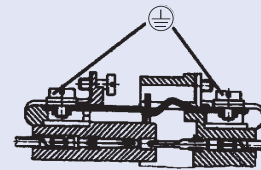
- a) Contact insert to contact insert 15, 25, 40, 64 way.
- b) Contact insert to housing 15, 25, 40, 64 way.

High protection against mismatching

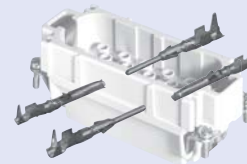
- Female inserts with funnel shaped contact entry avoids mismatching with stamped contacts.



First-to-mate last-to-break protective ground contact



Contact inserts for stamped contacts and for turned contacts



Range of housings

Size A3/4



Size A10



Size A16



Size E16



Size E24

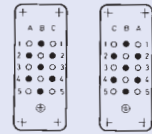


Size E48



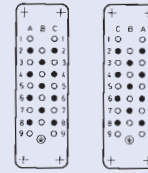
Modified contact arrangement for rated voltages of 400 V

(15) → 7 + ⊕



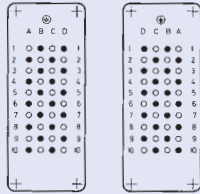
Female insert Male insert

(25) → 11 + ⊕



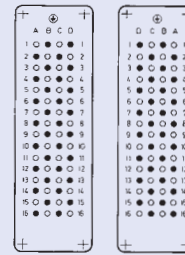
Female insert Male insert

(40) → 20 + ⊕



Female insert Male insert

(64) → 32 + ⊕



Female insert Male insert

- full load contact
- unoccupied

Removal of contacts, front releas

stamped male contacts
all turned contacts



stamped female contacts

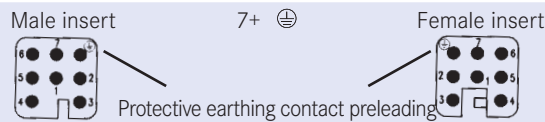


heavy|mate® D Characteristics contact inserts

General Characteristics	Standard	Value							
Number of contacts		7	15	25	40	50 2x25	64	128 2x64	
Contact arrangement	DIN EN 175 301-801 (DIN 43652)		•	•	•		•		
Termination technique		crimp, wire wrap							
Max. wire diameter		4.1 mm							
Flammability	UL 94	V-0							
Electrical Characteristics									
Rated voltage ¹⁾	IEC 60664-1	250 V~ (400 V~ ²⁾) (600 V UL / CSA ³⁾)							
Pollution degree	IEC 60664-1	3							
Installation (overvoltage) category	IEC 60664-1	III							
Material group	IEC 60664-1	III b							
Rated impulse withstand voltage	IEC 60664-1	4 kV							
Rated current	IEC 60512-5-2	see derating curves							
Rated current T _{amp} = 40 °C		16 A	12 A	12 A	10 A	10 A	10 A	10 A	10 A
Insulation resistance	IEC 60512-3-1	≥ 10 ¹⁰ Ω							
Climatical Characteristics									
Climatic category	IEC 60068-1	40/125/21							
Upper temperature	IEC 60512-11-9	+ 125°C							
Lower temperature	IEC 60512-11-10	- 40°C							
Mechanical Characteristics									
IP-degree of protection pin insert	IEC 60529	unmated IP00				mated IP20			
IP-degree of protection socket insert	IEC 60529	unmated IP20				mated IP20			
Weight pin insert		8 g	28 g	34 g	53 g	68 g	65 g	130 g	
Weight socket insert		8 g	30 g	38 g	64 g	76 g	82 g	164 g	
Mechanical operation	IEC 60512-9-1	≥ 500 mating cycles							
Materials									
Insert	IEC 60664-1	PBTP	PC GV ⁴⁾						
Colour insert	IEC 60664-1	grey							

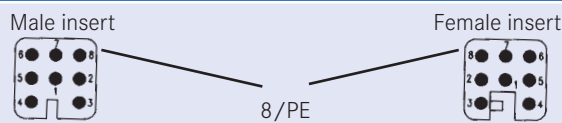
Description	Part Number	Drawing	Figure
Contact insert 7 + ⊕, 42 V~ in metal housings/250 V in thermoplastic housings (Please order contacts separately, see page 34)			
Male insert for stamped crimp contacts	C146 10A007 000 2		
Male insert for turned crimp contacts	C146 10A007 500 2		
Female insert for stamped crimp contacts	C146 10B007 000 2		
Female insert for turned crimp contacts	C146 10B007 500 2		

Pin layout

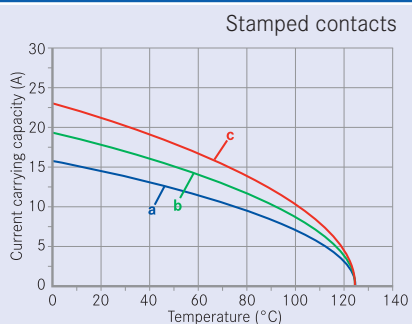


Description	Part Number	Drawing	Figure
Contact insert 8, 42 V~ in metal housings/250 V in thermoplastic housings (Please order contacts separately, see page 34)			
Male insert for stamped crimp contacts	C146 10A008 000 2		
Male insert for turned crimp contacts	C146 10A008 500 2		
Female insert for stamped crimp contacts	C146 10B008 000 2		
Female insert for turned crimp contacts	C146 10B008 500 2		

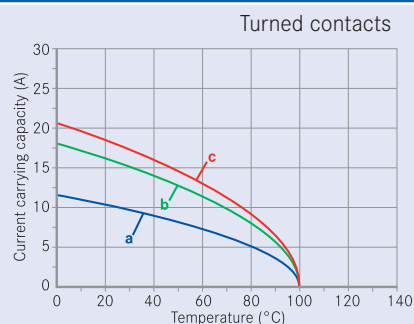
Pin layout (Note: For use up to 42 V~, the PE contact can be used as regular contact.)



Derating curves



Curve	Wire gauge
a	0.5 mm ²
b	1.5 mm ² & 2.5 mm ²
c	1.5 mm ² -2.5 mm ² (High current)

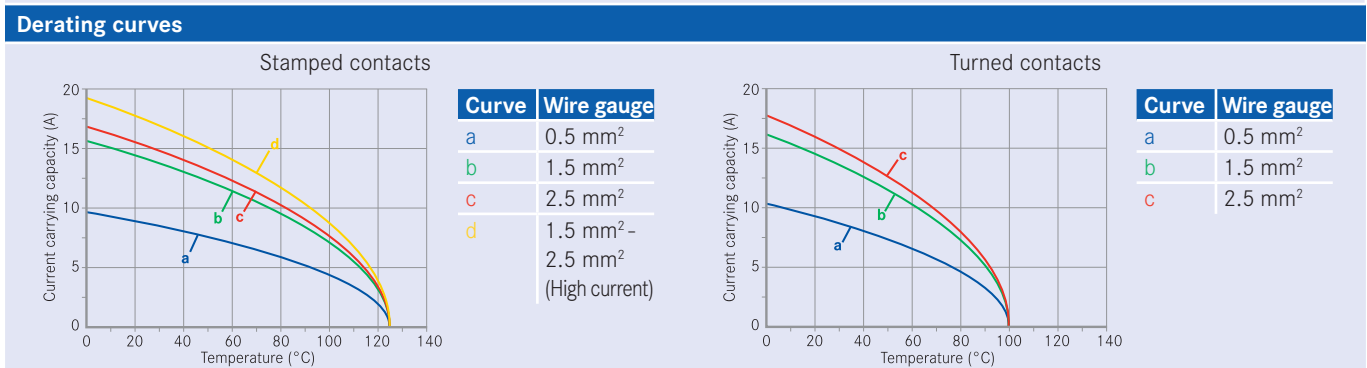


Curve	Wire gauge
a	0.5 mm ²
b	1.5 mm ²
c	2.5 mm ²

Description	Part Number	Drawing	Figure
Contact insert 15 + ⊕ (Please order contacts separately, see page 34)			
Male insert for stamped crimp contacts	C146 10A015 000 2		
Male insert for turned crimp contacts	C146 10A015 500 2		
Female insert for stamped crimp contacts	C146 10B015 000 2		
Female insert for turned crimp contacts	C146 10B015 500 2		

Contact insert 15 + ⊕, 2 x PE-termination (Please order contacts separately, see page 34)			
Male insert for stamped crimp contacts	C146 10A015 060 2		
Female insert for stamped crimp contacts	C146 10B015 060 2		

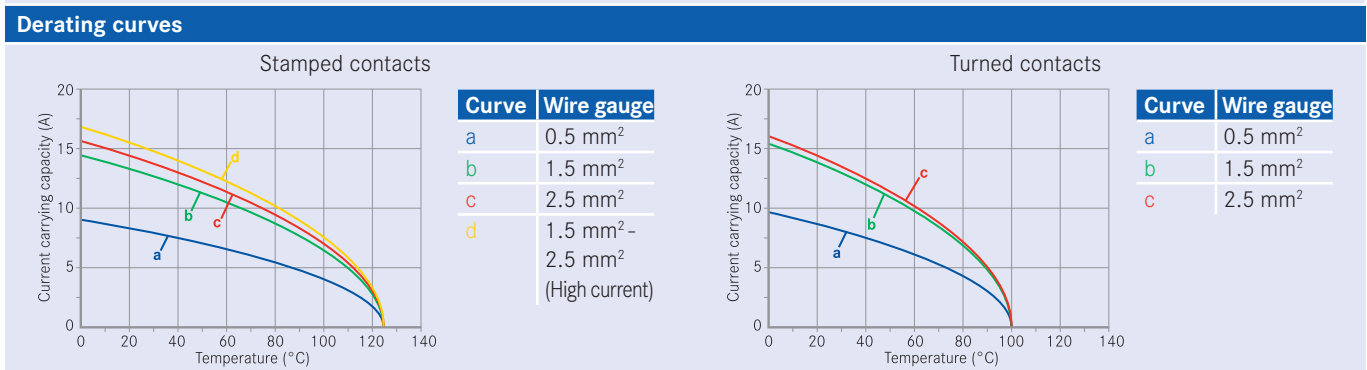
Pin layout		Assembly instruction	
Male insert	Female insert	Panel cut out (insert)	



Description	Part Number	Drawing	Figure
Contact insert 25 + ⊕ (Please order contacts separately, see page 34)			
Male insert for stamped crimp contacts	C146 10A025 000 2		
Male insert for turned crimp contacts	C146 10A025 500 2		
Female insert for stamped crimp contacts	C146 10B025 000 2		
Female insert for turned crimp contacts	C146 10B025 500 2		

Contact insert 25 + ⊕, 2 x PE-termination (Please order contacts separately, see page 34)			
Male insert for stamped crimp contacts	C146 10A025 060 2		
Female insert for stamped crimp contacts	C146 10B025 060 2		

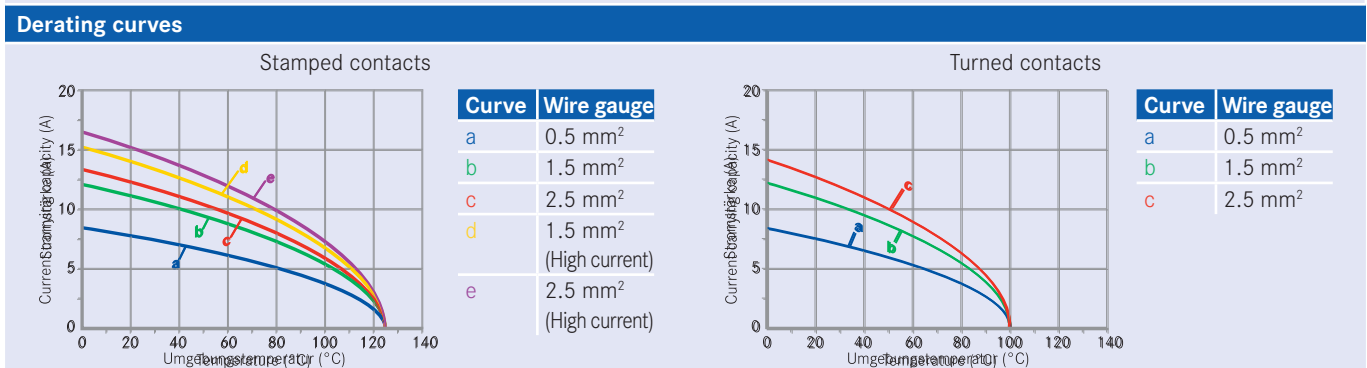
Pin layout		Assembly instruction	
Male insert	Female insert	Panel cut out (insert)	



Description	Part Number	Drawing	Figure
Contact insert 40 + ⊕ (Please order contacts separately, see page 34)			
Male insert for stamped crimp contacts	C146 10A040 000 2		
Male insert for turned crimp contacts	C146 10A040 500 2		
Female insert for stamped crimp contacts	C146 10B040 000 2		
Female insert for turned crimp contacts	C146 10B040 500 2		

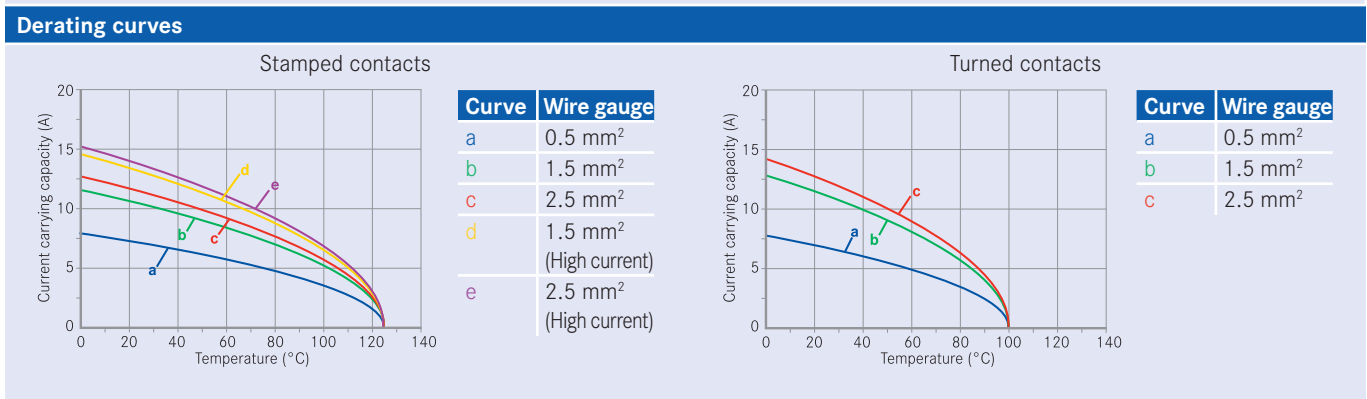
Contact insert 40 + ⊕, 2 x PE-termination (Please order contacts separately, see page 34)			
Male insert for stamped crimp contacts	C146 10A040 060 2		
Female insert for stamped crimp contacts	C146 10B040 060 2		

Pin layout		Assembly instruction	
Male insert	Female insert	Panel cut out (insert)	



Description	Part Number	Drawing	Figure
Contact insert 50 + ⊕ (Please order contacts separately, see page 34)			
Male insert for stamped crimp contacts	C146 10A025 000 2 + C146 10A025 005 2		
Male insert for turned crimp contacts	C146 10A025 500 2 + C146 10A025 505 2		
Female insert for stamped crimp contacts	C146 10B025 000 2 + C146 10B025 005 2		
Female insert for turned crimp contacts	C146 10B025 500 2 + C146 10B025 505 2		

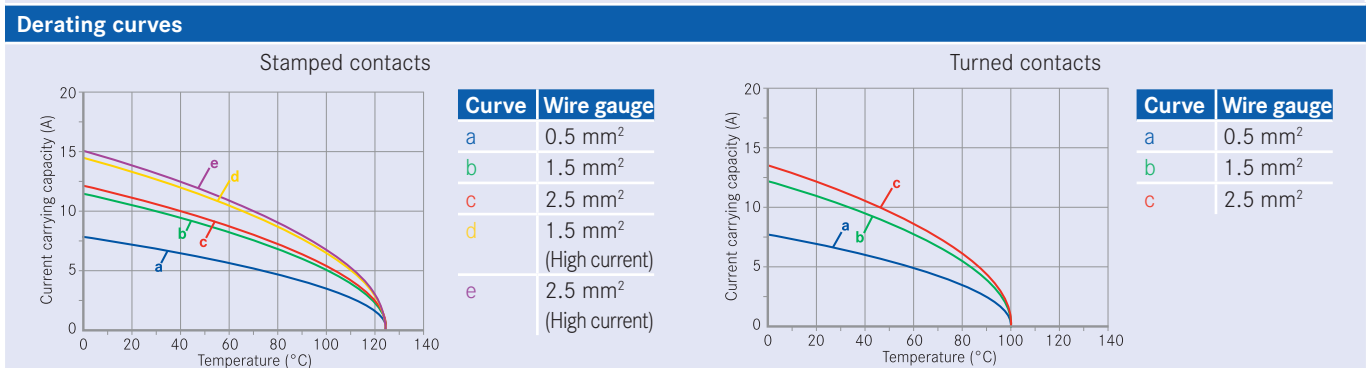
Pin layout	Assembly instruction
<p>Male insert Female insert</p>	<p>Panel cut out (insert)</p>



Description	Part Number	Drawing	Figure
Contact insert 64 + ⊕ (Please order contacts separately, see page 34)			
Male insert for stamped crimp contacts	C146 10A064 000 2		
Male insert for turned crimp contacts	C146 10A064 500 2		
Female insert for stamped crimp contacts	C146 10B064 000 2		
Female insert for turned crimp contacts	C146 10B064 500 2		

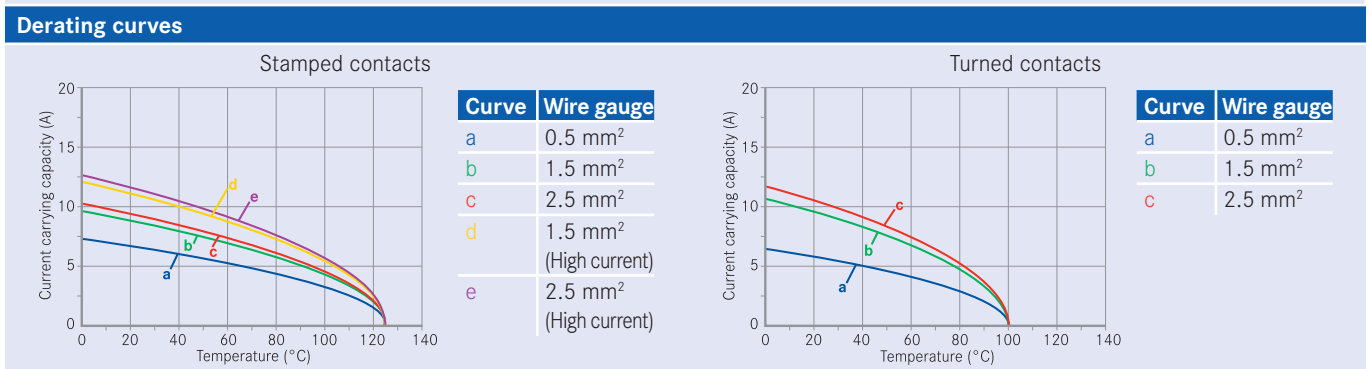
Contact insert 64 + ⊕, 2 x PE-termination (Please order contacts separately, see page 34)			
Male insert for stamped crimp contacts	C146 10A064 060 2		
Female insert for stamped crimp contacts	C146 10B064 060 2		

Pin layout		Assembly instruction	
Male insert	Female insert	Panel cut out (insert)	



Description	Part Number	Drawing	Figure
Contact insert 128 + ⊕ (Please order contacts separately, see page 34)			
Male insert for stamped crimp contacts	C146 10A064 000 2 + C146 10A064 005 2		
Male insert for turned crimp contacts	C146 10A064 500 2 + C146 10A064 505 2		
Female insert for stamped crimp contacts	C146 10B064 000 2 + C146 10B064 005 2		
Female insert for turned crimp contacts	C146 10B064 500 2 + C146 10B064 505 2		

Pin layout	Assembly instruction
<p>Male insert Female insert</p>	<p>Panel cut out (insert)</p>



Large range of wire gauges

.N01 016 0003 1



.N01 016 0002 1



.N01 016 0005 1



Gas-tight (coldwelding)

0.14

0.25

0.5

0.5

1.0

1.5

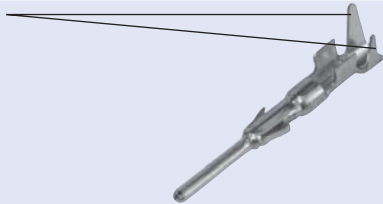
1.5

2.5



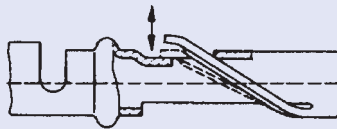
Stamped crimp contacts with insulation crimp, to absorb mechanical stress from the crimped connection

Insulation grip

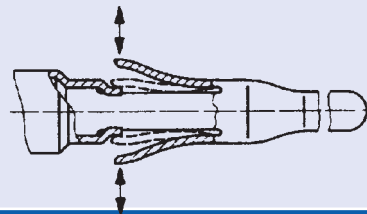


Mechanical retention spring stop on female and male contact

Female contact

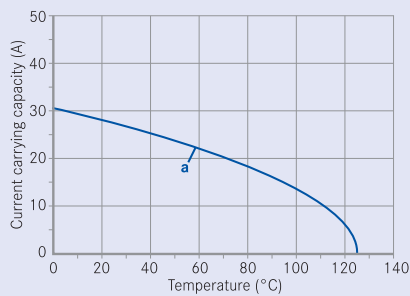


Male contact

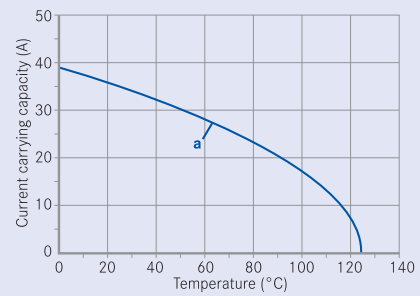


High current carrying capacity

Example single contact




Curve a: 2.5 mm² Standard contact, wire gauge



Curve a: 2.5 mm² High current contact, wire gauge

Stamped crimp contacts		
Electrical Characteristics		
Contact resistance	IEC 60512-2-1	≤ 5 m Ω
Climatical Characteristics		
Upper temperature	IEC 60512-11-9	+ 125 °C
Lower temperature	IEC 60512-11-10	- 40 °C
Mechanical Characteristics		
Mechanical operation	IEC 60512-9-1	≥ 500 mating cycles
Materials		
Male contact		Cu Zn (brass)
Female contact		Cu Sn (tin bronze)
Contact plating		Ag (silver) / Au (gold)
Turned crimp contacts		
Electrical Characteristics		
Contact resistance	IEC 60512-2-1	≤ 5 m Ω
Climatical Characteristics		
Upper temperature	IEC 60512-11-9	+ 100 °C
Lower temperature	IEC 60512-11-10	- 40 °C
Mechanical Characteristics		
Mechanical operation	IEC 60512-9-1	≥ 500 mating cycles
Materials		
Male contact		Cu Zn (brass)
Female contact		Cu Zn (brass)
Contact plating		Ag (silver) / Au (gold)


Supplied as	for wire gauge	AWG	Pieces	Part Number		Figure
				Male contact	Female contact	
Stamped single contacts						
silver plating standard	0.14 - 0.5 mm ²	26 - 20	100	VN01 016 0003 1	VN02 016 0003 1	
	0.5 - 1.5 mm ²	20 - 16	100	VN01 016 0002 1	VN02 016 0002 1	
	1.5 - 2.5 mm ²	16 - 14	100	VN01 016 0005 1	VN02 016 0005 1	
silver plating high current	0.5 - 1.5 mm ²	20 - 16	100	VN01 016 0015 1	VN02 016 0015 1	
	1.5 - 2.5 mm ²	16 - 14	100	VN01 016 0016 1	VN02 016 0016 1	
gold plating standard	0.14 - 0.5 mm ²	26 - 20	100	VN01 016 0003 2	VN02 016 0003 2	
	0.5 - 1.5 mm ²	20 - 16	100	VN01 016 0002 2	VN02 016 0002 2	
	1.5 - 2.5 mm ²	16 - 14	100	VN01 016 0005 2	VN02 016 0005 2	

Stamped Contacts on reel for hand crimp tools						
silver plating standard	0.14 - 0.5 mm ²	26 - 20	200	ZN01 016 0003 1	ZN02 016 0003 1	
	0.5 - 1.5 mm ²	20 - 16	200	ZN01 016 0002 1	ZN02 016 0002 1	
	1.5 - 2.5 mm ²	16 - 14	100	ZN01 016 0005 1	ZN02 016 0005 1	
silver plating high current	0.5 - 1.5 mm ²	20 - 16	200	ZN01 016 0015 1	ZN02 016 0015 1	
	1.5 - 2.5 mm ²	16 - 14	100	ZN01 016 0016 1	ZN02 016 0016 1	
gold plating standard	0.14 - 0.5 mm ²	26 - 20	200	ZN01 016 0003 2	ZN02 016 0003 2	
	0.5 - 1.5 mm ²	20 - 16	200	ZN01 016 0002 2	ZN02 016 0002 2	
	1.5 - 2.5 mm ²	16 - 14	100	ZN01 016 0005 2	ZN02 016 0005 2	

Stamped contacts on reel for crimp machines contact feeding left hand side						
silver plating standard	0.14 - 0.5 mm ²	26 - 20	2000	TN01 016 0003 1	TN02 016 0003 1	
	0.5 - 1.5 mm ²	20 - 16	2000	TN01 016 0002 1	TN02 016 0002 1	
	1.5 - 2.5 mm ²	16 - 14	2000	TN01 016 0005 1	TN02 016 0005 1	
silver plating high current	0.5 - 1.5 mm ²	20 - 16	2000	TN01 016 0015 1	TN02 016 0015 1	
	1.5 - 2.5 mm ²	18 - 14	2000	TN01 016 0016 1	TN02 016 0016 1	
gold plating standard	0.14 - 0.5 mm ²	26 - 20	2000	TN01 016 0003 2	TN02 016 0003 2	
	0.5 - 1.5 mm ²	20 - 16	2000	TN01 016 0002 2	TN02 016 0002 2	
	1.5 - 2.5 mm ²	16 - 14	2000	TN01 016 0005 2	TN02 016 0005 2	

Tools for stamped crimp contacts						
Description	for wire gauge	Part Number				
		Contact locator	Crimping dies	Tool		
Removal tool for contacts	-	-	-	FG 0300 146 1		
Service crimping tool	0.14 - 0.5 mm ² 0.5 - 1.5 mm ²	-	-	TA 0100 146		
Crimping tool for single contacts	0.14 - 0.5 mm ²	TA 0001 146 000 1	TA 0000 202	TA 0000		
	0.5 - 1.5 mm ²	TA 0002 146 000 1	TA 0000 163	TA 0500		
	1.5 - 2.5 mm ²	TA 0007 146 000 3	TA 0000 141			
Further tools see catalogue "Tools"						

heavy|mate® D Turned crimp contacts


Supplied as	for wire gauge	AWG	Pieces	Part Number		Figure
				Male contact	Female contact	
Turned crimp contacts single contact						
silver plating	0.14 - 0.37 mm ²	26 - 22	100	VN01 016 0024 1C	VN02 016 0024 1C	
	0.5 mm ²	20	100	VN01 016 0025 1C	VN02 016 0025 1C	
	0.75 - 1.0 mm ²	20 - 16	100	VN01 016 0026 1C	VN02 016 0026 1C	
	1.5 mm ²	16 - 15	100	VN01 016 0027 1C	VN02 016 0027 1C	
	2.5 mm ²	14	100	VN01 016 0028 1C	VN02 016 0028 1C	
gold plating	0.14 - 0.37 mm ²	26 - 22	100	VN01 016 0024 2C	VN02 016 0024 2C	
	0.5 mm ²	20	100	VN01 016 0025 2C	VN02 016 0025 2C	
	0.75 - 1.0 mm ²	20 - 16	100	VN01 016 0026 2C	VN02 016 0026 2C	
	1.5 mm ²	16 - 15	100	VN01 016 0027 2C	VN02 016 0027 2C	
	2.5 mm ²	14	100	VN01 016 0028 2C	VN02 016 0028 2C	
Tools						
Description	for wire gauge	Part Number				
		Contact locator	Crimping dies	Tool		
Removal tool for contacts	-	-	-	FG 0300 146 1		
Crimping tool for single contacts	0.14 - 1.0 mm ² 1.5 mm ² 2.5 mm ²	TA 0010 146 000 1	TA 0000 184	TA 0000 TA 0500		
Further tools see catalogue "Tools"						

A high-speed train, silver with orange and black accents, is shown from a front-quarter perspective on a track. The train is moving towards the viewer. Above the train, a complex system of overhead power lines and support poles is visible, extending into the distance. The background consists of green trees and a clear sky. The train's front features a large windshield, headlights, and a nose cone. The tracks are made of steel rails on a gravel bed.

heavy | mate[®] DD

- Rated voltage 250 V
- Rated current 8 A ... 9 A
- Termination: crimp
- Number of contacts: 24, 42, 72, 108



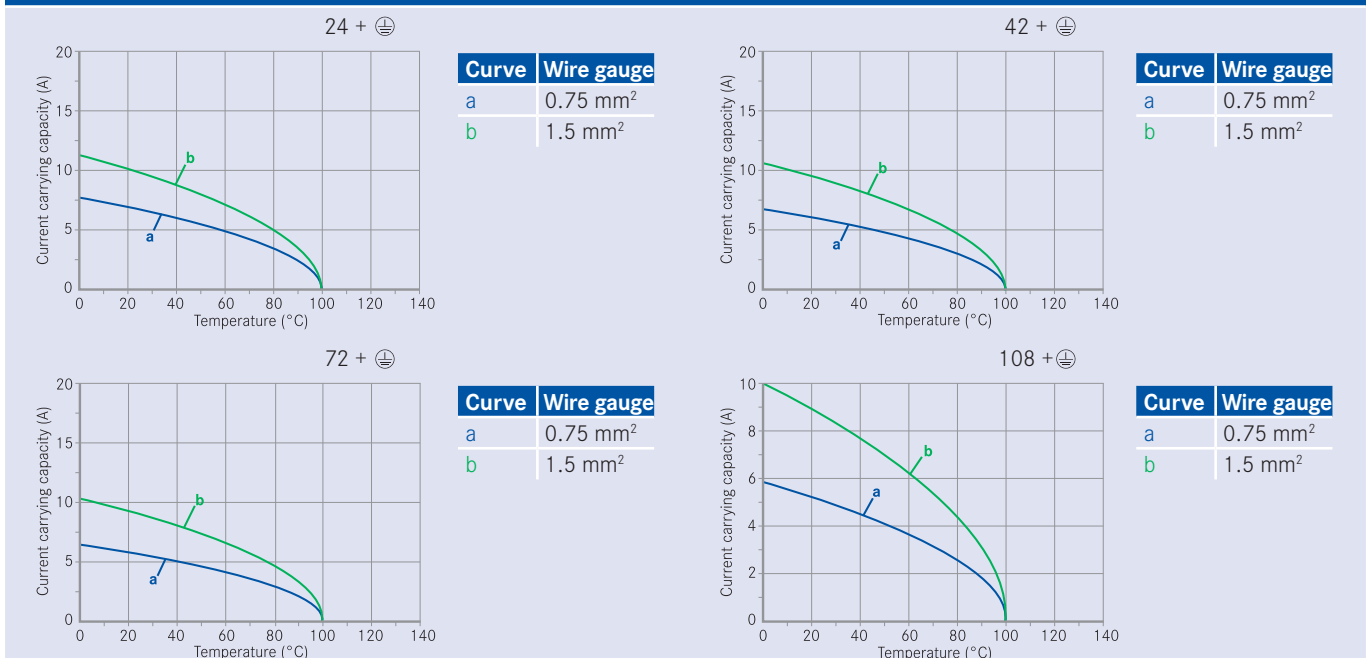
Approvals, Testhouse	Characteristics	Approval-Number
SEV 	250 V, 10 A	
UL 	600 V, 8,5 A	E 63093
CSA 	600 V, 10 A	LR 700721

In general approvals refer to representative versions of the connector series. Extent and specification of tests upon request.

heavy|mate® DD Characteristics contact inserts

General Characteristics	Standard	Value
Number of contacts		24 + ⊕ 42 + ⊕ 72 + ⊕ 108 + ⊕
Termination technique		crimp
Wire gauge		0.14 mm ² - 2.5 mm ²
Flammability	UL 94	V-0
Electrical Characteristics		
Rated voltage	IEC 60664-1	250 V (600 V UL / CSA)
Pollution degree	IEC 60664-1	2 (3 mated and locked)
Installation (overvoltage) category	IEC 60664-1	III
Material group	IEC 60664-1	III b
Rated impulse withstand voltage	IEC 60664-1	4 kV
Current carrying capacity	IEC 60512-5-2	see derating curves
Contact resistance	IEC 60512-2-1	≤ 5 mΩ
Insulation resistance	IEC 60512-3-1	≥ 10 ¹⁰ Ω
Climatical Characteristics		
Climatic category	IEC 60068-1	40 / 100 / 21
Upper temperature	IEC 60512-11-9	+ 100 °C
Lower temperature	IEC 60512-11-10	- 40 °C
Mechanical Characteristics		
Weight pin insert		44 g 50 g 63 g 86 g
IP-degree of protection pin insert	IEC 60529	unmated IP00 mated IP20
IP-degree of protection socket insert	IEC 60529	unmated IP20 mated IP20
Weight socket insert		41 g 50 g 67 g 88 g
Mechanical operation	IEC 60512-9-1	> 500 mating cycles
Materials		
Insert		PBTP
Colour insert		grey
Contacts		CuZn (brass)
Contact plating		Ag (silver)

Derating curves



Description	Part Number	Drawing	Figure
Contact insert 24 + Ⓢ for turned contacts Size E 6 (Please order contacts separately, see page 43) Housings from page 196			
Male insert for turned crimp contacts	C146 10A024 000 9		
Female insert for turned crimp contacts	C146 10B024 000 9		
Contact insert 42 + Ⓢ for turned contacts Size E 10 (Please order contacts separately, see page 43) Housings from page 198			
Male insert for turned crimp contacts	C146 10A042 000 9		
Female insert for turned crimp contacts	C146 10B042 000 9		
Contact insert 72 + Ⓢ for turned contacts Size E 16 (Please order contacts separately, see page 43) Housings from page 205			
Male insert for turned crimp contacts	C146 10A072 000 9		
Female insert for turned crimp contacts	C146 10B072 000 9		

Description	Part Number	Drawing	Figure
Contact insert 108 + ⊕ for turned contacts Size E 24 (Please order contacts separately, see page 43) Housings from page 211			
Male insert for turned crimp contacts	C146 10A108 000 9		
Female insert for turned crimp contacts	C146 10B108 000 9		

Contact insert 216 + ⊕ for turned contacts Size E 48 (Please order contacts separately, see page 43) Housings from page 217			
Male insert for turned crimp contacts	C146 10A108 000 9 + C146 10A108 005 9		
Female insert for turned crimp contacts	C146 10B108 000 9 + C146 10B108 005 9		

Pin layout		Assembly instruction																
Male insert	Female insert	Panel cut out (insert)																
<p>x = 4 (24 pol.) 7 (42 pol.) 12 (72 pol.) 18 (108 pol.)</p>		<table border="1"> <thead> <tr> <th>Pol</th> <th>A</th> <th>B</th> </tr> </thead> <tbody> <tr> <td>24</td> <td>35</td> <td>44</td> </tr> <tr> <td>42</td> <td>48</td> <td>57</td> </tr> <tr> <td>72</td> <td>69</td> <td>77,5</td> </tr> <tr> <td>108</td> <td>95</td> <td>104</td> </tr> </tbody> </table>	Pol	A	B	24	35	44	42	48	57	72	69	77,5	108	95	104	
Pol	A	B																
24	35	44																
42	48	57																
72	69	77,5																
108	95	104																

heavy|mate® DD Crimp contacts

Supplied as	for wire gauge	AWG	Pieces	Part Number		Figure
				Male contact	Female contact	
Turned crimp contacts single contact 1.6mm						
silver plating	0.14 - 0,37 mm ²	26 - 22	100	VN01 016 0024 1C	VN02 016 0024 1C	
	0.5 mm ²	20	100	VN01 016 0025 1C	VN02 016 0025 1C	
	0.75 - 1,0 mm ²	20 - 16	100	VN01 016 0026 1C	VN02 016 0026 1C	
	1.5 mm ²	16 - 15	100	VN01 016 0027 1C	VN02 016 0027 1C	
	2.5 mm ²	14	100	VN01 016 0028 1C	VN02 016 0028 1C	
gold plating	0.14 - 0.37 mm ²	26 - 22	100	VN01 016 0024 2C	VN02 016 0024 2C	
	0.5 mm ²	20	100	VN01 016 0025 2C	VN02 016 0025 2C	
	0.75 - 1.0 mm ²	20 - 16	100	VN01 016 0026 2C	VN02 016 0026 2C	
	1.5 mm ²	16 - 15	100	VN01 016 0027 2C	VN02 016 0027 2C	
	2.5 mm ²	14	100	VN01 016 0028 2C	VN02 016 0028 2C	
Tools for turned crimp contacts						
Description	for wire gauge	Part Number				
		Contact locator	Crimping dies	Tool		
Removal tool for contacts	-	-	-	FG 0300 146 1		
Service crimping tool	0.14 - 0.5 mm ² 0.5 - 1.5 mm ²	-	-	TA 0100 146		
Crimping tool for single contacts	0.14 - 1.0 mm ² 1.5 mm ² 2.5 mm ²	TA 0010 146 000 1	TA 0000 184	TA 0000 TA 0500		
Further tools see catalogue "Tools"						



heavy | mate[®] E

- Rated voltage 500 V
- Rated current 16 A ... 22 A
- Termination: screw, crimp, tension spring
- Numbers of contacts: 6, 10, 16, 24, 48



Approvals, Testhouse	Characteristics	Approval-Number
SEV	400 V, 16 A	
UL	600 V, 16 A	E 63093
CSA	600 V, 16 A	48932

In general approvals refer to representative versions of the connector series. Extent and specification of tests upon request.

General information

- Contact inserts without crimp contacts.
- Connectors series heavy|mate® E may be engaged or disengaged when live but without electrical load. If these connectors are mated or unmated under load, the load shall be reduced to 10 % of the rated current.
- Crimping tools and processing instructions see separate catalogue „Tools“.
- Low and high profile housings are usable.
- If wire ferrule are used, screw terminals without wire protection are preferred.



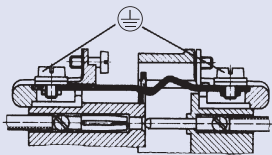
No standard for this series, but:

Interchangeable with other products

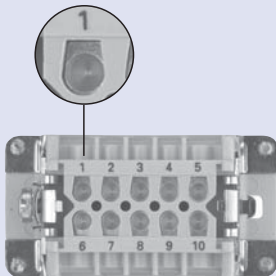
- contact insert to contact insert 6, 10, 16, 24 contacts
- contact insert to housing 6, 10, 16, 24 contacts

Housings are designed according to DIN EN 175 301 - 801

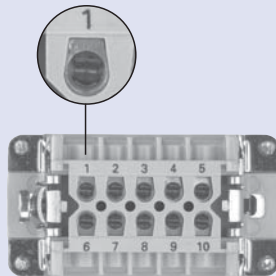
First-to-mate last-to-break protective ground contact



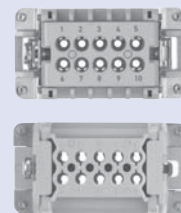
Contact inserts for screw termination, screw termination with wire protection and for crimp termination



Screw termination



Screw termination with wire protection



Crimp termination

Range of housings

Size E6



Size E10



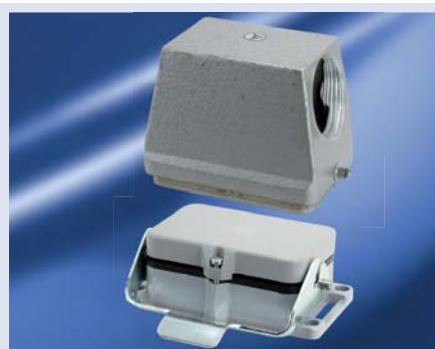
Size E16



Size E24



Size E48



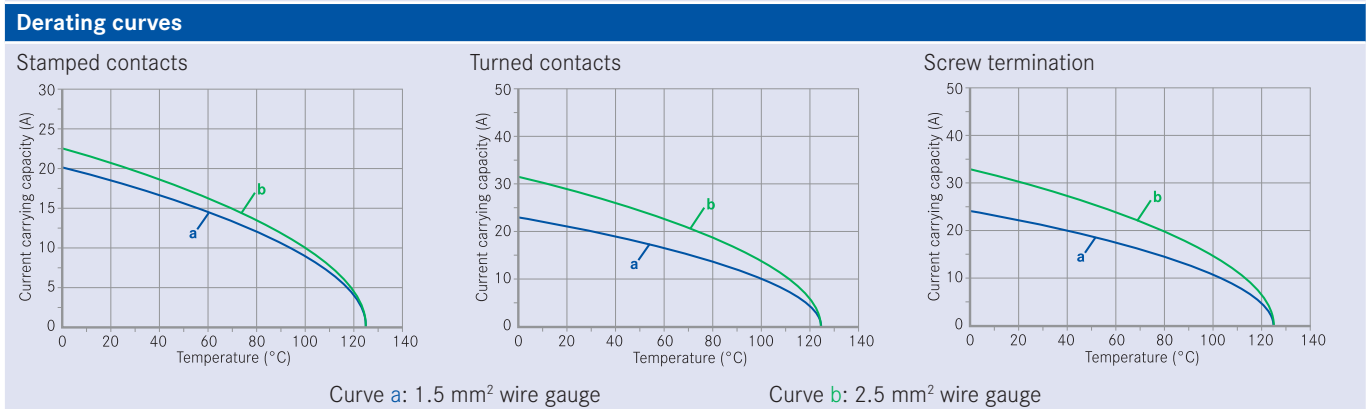
General Characteristics	Standard	Value				
Number of contacts		6 + ☺	10 + ☺	16 + ☺	24 + ☺	48 + ☺
Termination technique		crimp / screw / tension spring / push-in				
Wire gauge		0.5 - 4 mm ²				
Flammability	UL 94	V-0				
Electrical Characteristics						
Rated voltage	IEC 60664-1	max. 500 V (600 V UL / CSA ¹⁾)				
Pollution degree	IEC 60664-1	3				
Material group	IEC 60664-1	III b				
Installation (overvoltage) category	IEC 60664-1	III				
Rated impulse withstand voltage	IEC 60664-1	6,0 kV				
Current carrying capacity	IEC 60512-5-2	see derating curves				
Rated current T _{amp} = 40 °C		22 A	19 A	19 A	18 A	18 A
Contact resistance	IEC 60512-2-1	< 5 mΩ				
Insulation resistance	IEC 60512-3-1	≥ 10 ¹⁰ Ω				
Climatical Characteristics						
Climatic category	IEC 60068-1	40 / 125 / 21				
Upper temperature	IEC 60512-11-9	+ 125 °C				
Lower temperature	IEC 60512-11-10	- 40 °C				
Mechanical Characteristics						
IP-degree of protection pin insert ²⁾	IEC 60529	unmated IP00			mated IP20	
IP-degree of protection socket insert ²⁾	IEC 60529	unmated IP20			mated IP20	
Weight:						
male insert crimp (for stamped contacts)		33 g	39 g	45 g	55 g	110 g
female insert crimp (for stamped contacts)		33 g	39 g	49 g	62 g	124 g
male insert screw		43 g	57 g	78 g	105 g	210 g
female insert screw		43 g	57 g	78 g	106 g	212 g
Mechanical operation	IEC 60512-9-1	> 500 mating cycles				
Materials						
Insert		PC GV (Polycarbonat)				
Colour insert		grey				
Screw contacts		CuZn (brass)				
Contact plating		Ag (silver) / Au (gold)				

Description	Part Number	Drawing	Figure
Screw termination			
Male insert for screw termination	C146 10A006 002 1		
Male insert with wire protection for screw termination	C146 10A006 102 1		
Female insert for screw termination	C146 10B006 002 1		
Female insert with wire protection for screw termination	C146 10B006 102 1		
Tension spring			
Male insert with Tension spring	C146 10A006 400 1		
Female insert with Tension spring	C146 10B006 400 1		
Push-in			
Male insert with push-in connection	C146 10A006 600 1		
Female insert with push-in connection	C146 10B006 600 1		

Description	Part Number	Drawing	Figure
Stamped crimp contacts (Please order contacts separately, see page 58)			
Male insert for stamped crimp contacts	C146 10A006 000 1		
Female insert for stamped crimp contacts	C146 10B006 000 1		

Turned crimp contacts (Please order contacts separately, see page 58)			
Male insert for turned crimp contacts	C146 10A006 500 1		
Female insert for turned crimp contacts	C146 10B006 500 1		

Pin layout		Assembly instruction	
Male insert	Female insert	Panel cut out (insert)	

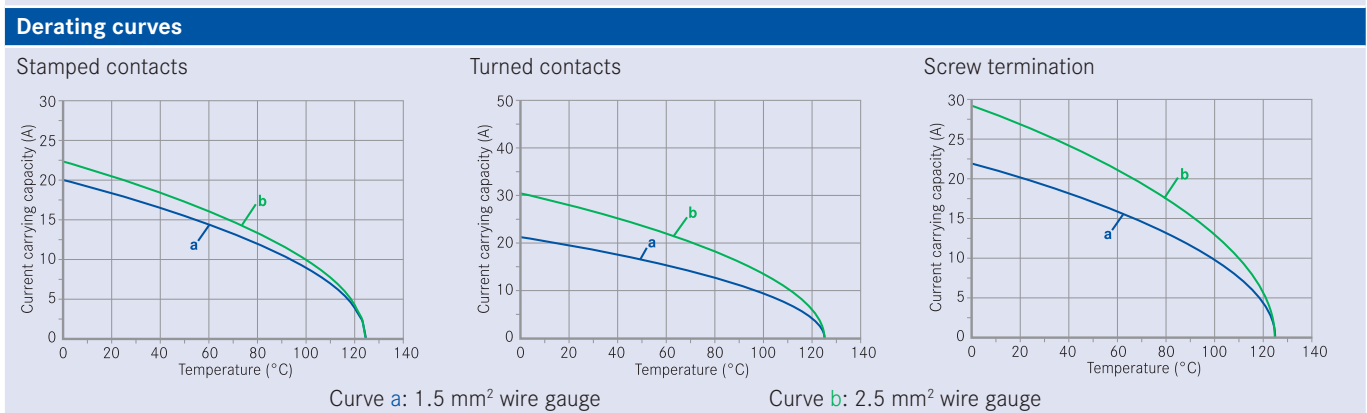


Description	Part Number	Drawing	Figure
Screw termination			
Male insert for screw termination	C146 10A010 002 1		
Male insert with wire protection for screw termination	C146 10A010 102 1		
Female insert for screw termination	C146 10B010 002 1		
Female insert with wire protection for screw termination	C146 10B010 102 1		
Tension spring			
Male insert with Tension spring	C146 10A010 400 1		
Female insert with Tension spring	C146 10B010 400 1		
Push-in			
Male insert with push-in connection	C146 10A010 600 1		
Female insert with push-in connection	C146 10B010 600 1		

Description	Part Number	Drawing	Figure
Stamped crimp contacts (Please order contacts separately, see page 58)			
Male insert for stamped crimp contacts	C146 10A010 000 1		
Female insert for stamped crimp contacts	C146 10B010 000 1		

Turned crimp contacts (Please order contacts separately, see page 58)			
Male insert for turned crimp contacts	C146 10A010 500 1		
Female insert for turned crimp contacts	C146 10B010 500 1		

Pin layout		Assembly instruction	
Male insert	Female insert	Panel cut out (insert)	

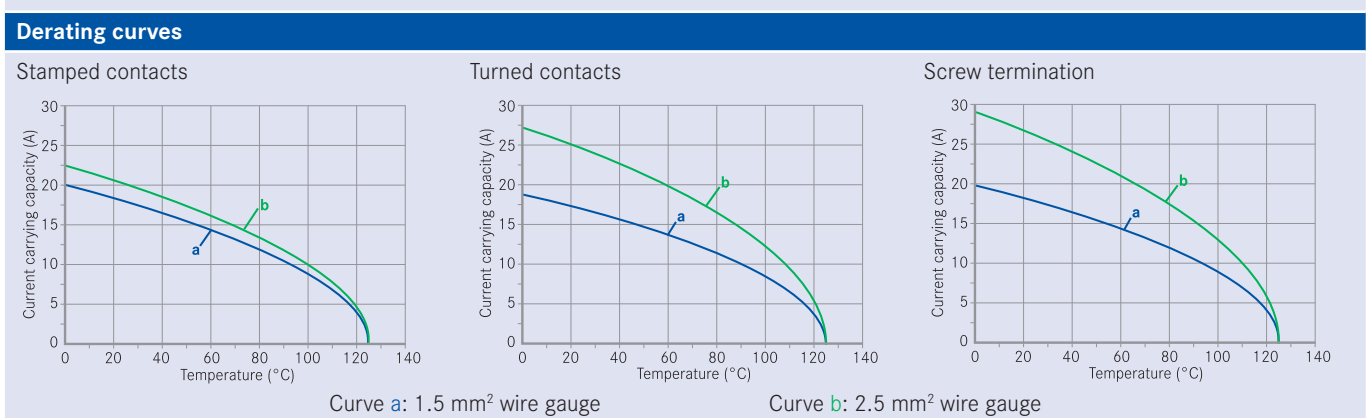


Description	Part Number	Drawing	Figure
Screw termination			
Male insert for screw termination	C146 10A016 002 1		
Male insert with wire protection for screw termination	C146 10A016 102 1		
Female insert for screw termination	C146 10B016 002 1		
Female insert with wire protection for screw termination	C146 10B016 102 1		
Tension spring			
Male insert with Tension spring	C146 10A016 400 1		
Female insert with Tension spring	C146 10B016 400 1		
Push-in			
Male insert with push-in connection	C146 10A016 600 1		
Female insert with push-in connection	C146 10B016 600 1		

Description	Part Number	Drawing	Figure
Stamped crimp contacts (Please order contacts separately, see page 58)			
Male insert for stamped crimp contacts	C146 10A016 000 1		
Female insert for stamped crimp contacts	C146 10B016 000 1		

Turned crimp contacts (Please order contacts separately, see page 58)			
Male insert for turned crimp contacts	C146 10A016 500 1		
Female insert for turned crimp contacts	C146 10B016 500 1		

Pin layout		Assembly instruction	
Male insert	Female insert	Panel cut out (insert)	

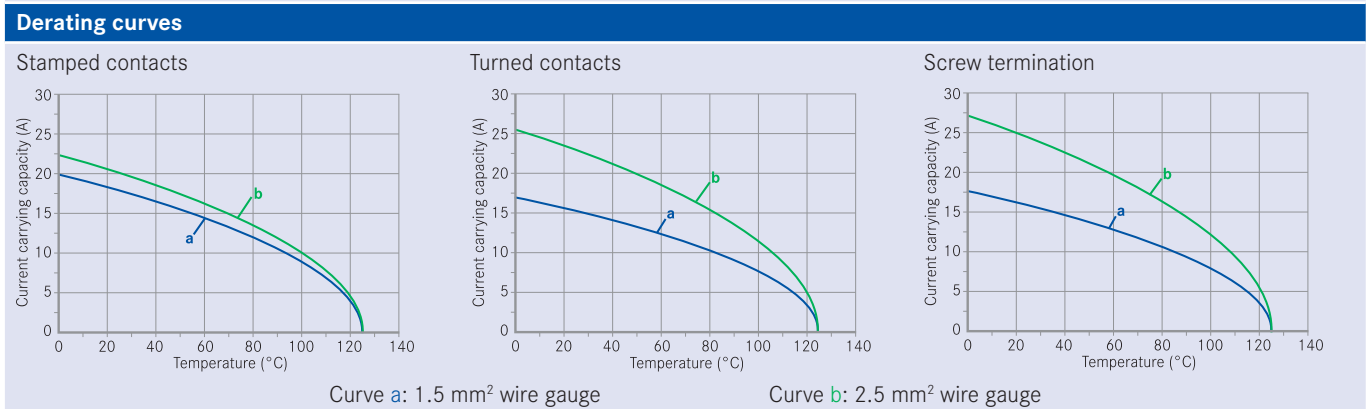


Description	Part Number	Drawing	Figure
Screw termination			
Male insert for screw termination	C146 10A024 002 1		
Male insert with wire protection for screw termination	C146 10A024 102 1		
Female insert for screw termination	C146 10B024 002 1		
Female insert with wire protection for screw termination	C146 10B024 102 1		
Tension spring			
Male insert with Tension spring	C146 10A024 400 1		
Female insert with Tension spring	C146 10B024 400 1		
Push-in			
Male insert with push-in connection	C146 10A024 600 1		
Female insert with push-in connection	C146 10B024 600 1		

Description	Part Number	Drawing	Figure
Stamped crimp contacts (Please order contacts separately, see page 58)			
Male insert for stamped crimp contacts	C146 10A024 000 1		
Female insert for stamped crimp contacts	C146 10B024 000 1		

Turned crimp contacts (Please order contacts separately, see page 58)			
Male insert for turned crimp contacts	C146 10A024 500 1		
Female insert for turned crimp contacts	C146 10B024 500 1		

Pin layout		Assembly instruction	
Male insert	Female insert	Panel cut out (insert)	

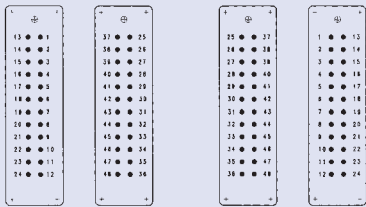


Description	Part Number	Drawing	Figure
Screw termination			
Male insert for screw termination	C146 10A024 002 1 + C146 10A024 002 1		
Male insert with wire protection for screw termination	C146 10A024 102 1 + C146 10A024 102 1		
Female insert for screw termination	C146 10B024 002 1 + C146 10B024 002 1		
Female insert with wire protection for screw termination	C146 10B024 102 1 + C146 10B024 102 1		
Stamped crimp contacts (Please order contacts separately, see page 58)			
Male insert for stamped crimp contacts	C146 10A024 000 1 + C146 10A024 005 1		
Female insert for stamped crimp contacts	C146 10B024 000 1 + C146 10B024 005 1		
Turned crimp contacts (Please order contacts separately, see page 58)			
Male insert for turned crimp contacts	C146 10A024 500 1 + C146 10A024 505 1		
Female insert for turned crimp contacts	C146 10B024 500 1 + C146 10B024 505 1		

Pin layout

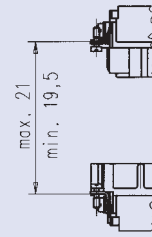
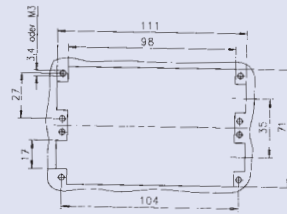
Male insert

Female insert



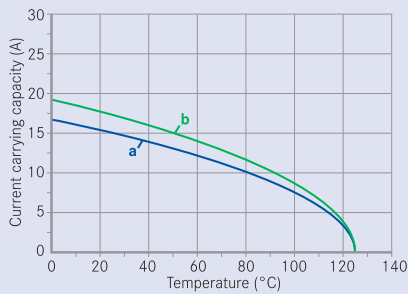
Assembly instruction

Panel cut out (insert)

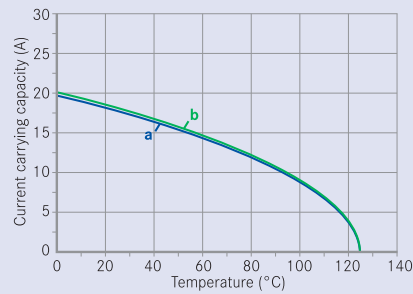


Derating curves

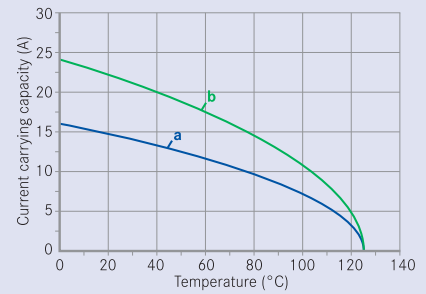
Stamped contacts



Turned contacts



Screw termination



Curve a: 1.5 mm² wire gauge

Curve b: 2.5 mm² wire gauge

Large range of wire gauges

N01 025 0001 1



N01 025 0010 1



Gas-tight (coldwelding)

0,5



1,0



1,5



1,5

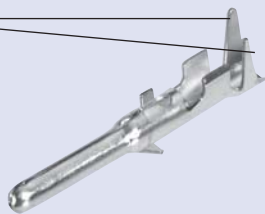


2,5



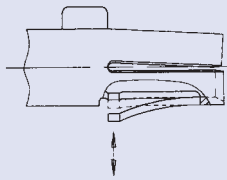
Stamped crimp contacts with insulation crimp, to absorb mechanical stress from the crimped connection

Insulation grip

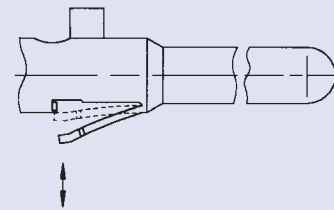


Mechanical retention spring stop on female and male contact

Female contact

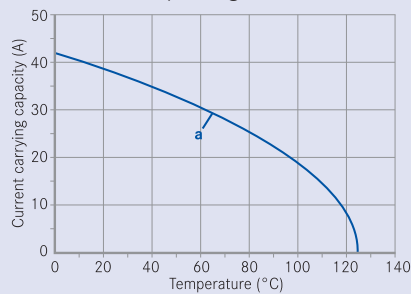


Male contact



High current carrying capacity

Example single contact



Curve a: 2.5 mm² wire gauge

Stamped crimp contacts		
Electrical Characteristics		
Contact resistance	IEC 60512-2-1	< 5 m Ω
Mechanical Characteristics		
Mechanical operation	IEC 60512-9-1	≥ 500 mating cycles
Materials		
Male contact		Cu Zn (brass)
Female contact		Cu Sn (tin bronze)
Contact plating		Ag (silver) / Au (gold)
Turned crimp contacts		
Electrical Characteristics		
Contact resistance	IEC 60512-2-1	≤ 5 m Ω
Climatical Characteristics		
Upper temperature	IEC 60512-11-9	+ 125 °C
Lower temperature	IEC 60512-11-10	- 40 °C
Mechanical Characteristics		
Mechanical operation	IEC 60512-9-1	≥ 500 mating cycles
Materials		
Male contact		Cu Zn (brass)
Female contact		Cu Zn (brass)
Contact plating		Ag (silver) / Au (gold)

heavy|mate® E Stamped crimp contacts

Supplied as	for wire gauge	AWG	Pieces	Part Number		Figure
				Male contact	Female contact	
Stamped single contacts						
silver plating	0.5 - 1.5 mm ²	20 - 16	100	VN01 025 0001 101	VN02 025 0001 101	
	1.5 - 2.5 mm ²	16- 14	100	VN01 025 0010 101	VN02 025 0010 101	
gold plating	0.5 - 1.5 mm ²	20 - 16	100	VN01 025 0001 102	VN02 025 0001 102	
	1.5 - 2.5 mm ²	16- 14	100	VN01 025 0010 102	VN02 025 0010 102	
Stamped Contacts on reel for hand crimp tools						
silver plating	0.5 - 1.5 mm ²	20 - 16	200	ZN01 025 0001 1	ZN02 025 0001 1	
	1.5 - 2.5 mm ²	16 - 14	100	ZN01 025 0010 1	ZN02 025 0010 1	
gold plating	0.5 - 1.5 mm ²	20 - 16	200	ZN01 025 0001 2	ZN02 025 0001 2	
	1.5 - 2.5 mm ²	16 - 14	100	ZN01 025 0010 2	ZN02 025 0010 2	
Stamped contacts on reel for crimp machines contact feeding left hand side						
silver plating	0.5 - 1.5 mm ²	20 - 16	2000	TN01 025 0001 1	TN02 025 0001 1	
	1.5 - 2.5 mm ²	16 - 14	2000	TN01 025 0010 1	TN02 025 0010 1	
Tools for turned crimp contacts						
Description	for wire gauge	Part Number				
		Contact locator	Crimping dies	Tool		
Removal tool for contacts	-	-	-	FG 0200 146 1		
Crimping tool for stamped single contacts	0.5 - 1.5 mm ²	TA 0004 146 000 1	TA 0000 163	TA 0000		
	1.5 - 2.5 mm ²	TA 0005 146 000 3	TA 0000 141			
4-indent crimping tool for turned contacts	0.5 - 4.0 mm ²	-	-	TB 0600 146		
Further tools see catalogue "Tools"						

heavy|mate® E Turned crimp contacts

Supplied as	for wire gauge	AWG	Pieces	Part Number		Figure
				Male contact	Female contact	
Turned crimp contacts single contact						
silver plating	0.14 - 0.37 mm ²	22 - 26	100	VN01 025 0055 1C	VN02 025 0055 1C	
	0.5 mm ²	20	100	VN01 025 0035 1C	VN02 025 0035 1C	
	0.75 - 1.0 mm ²	18	100	VN01 025 0036 1C	VN02 025 0036 1C	
	1.5 mm ²	16	100	VN01 025 0037 1C	VN02 025 0037 1C	
	2.5 mm ²	14	100	VN01 025 0038 1C	VN02 025 0038 1C	
	4.0 mm ²	12	100	VN01 025 0039 1C	VN02 025 0039 1C	
gold plating	0.14 - 0.37 mm ²	22 - 26	100	VN01 025 0055 2C	VN02 025 0055 2C	
	0.5 mm ²	20	100	VN01 025 0035 2C	VN02 025 0035 2C	
	0.75 - 1.0 mm ²	18	100	VN01 025 0036 2C	VN02 025 0036 2C	
	1.5 mm ²	16	100	VN01 025 0037 2C	VN02 025 0037 2C	
	2.5 mm ²	14	100	VN01 025 0038 2C	VN02 025 0038 2C	
	4.0 mm ²	12	100	VN01 025 0039 2C	VN02 025 0039 2C	



Tools for turned crimp contacts				
Description	for wire gauge	Part Number		
		Contact locator	Crimping dies	Tool
Removal tool for contacts				FG 0300 146 7
Crimping tool for stamped single contacts	0.5 - 2.5 mm ² 4 mm ²	TA 0010 146 000 6 TA 0010 146 000 7	TA 0000 144 TA 0000 124	TA 0000 TA 0500
4-indent crimping tool for turned contacts				TB 0600 146
Further tools see catalogue "Tools"				



heavy | mate[®] EE

- Rated voltage 500 V (600 V UL / CSA)
- Rated current 16 A
- Termination: crimp
- Numbers of contacts: 10, 18, 32, 46

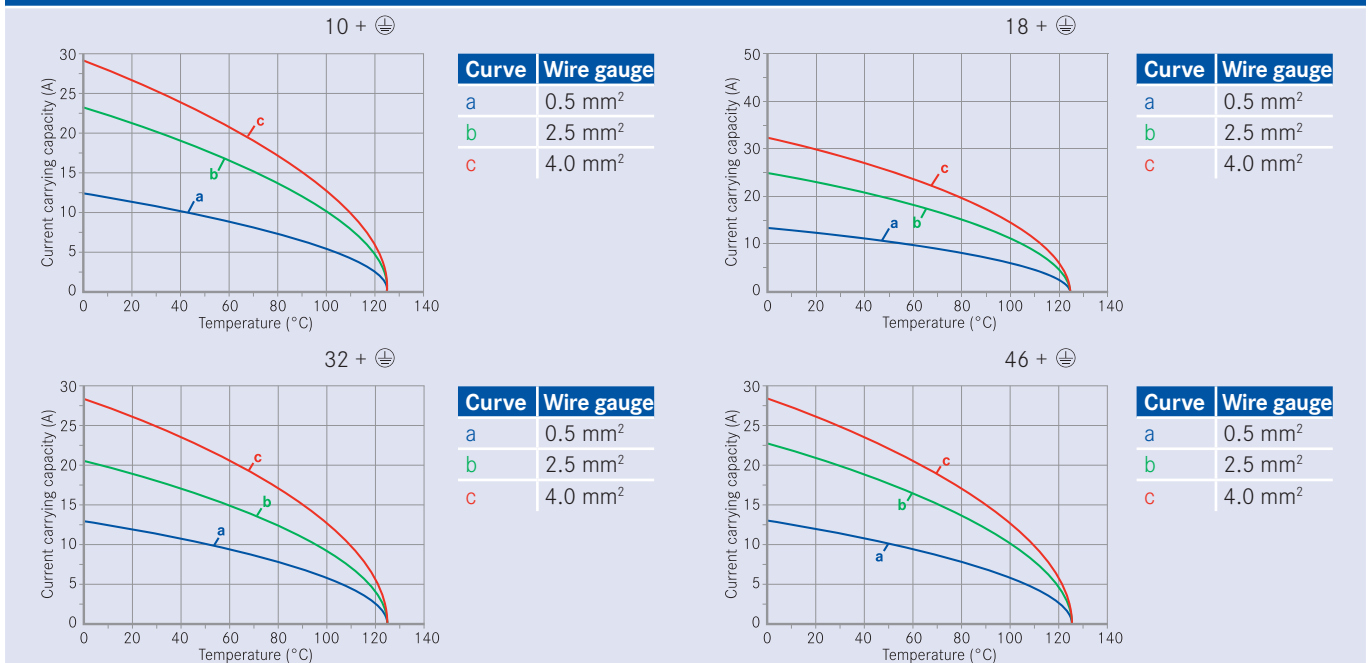


Approvals, Testhouse	Characteristics	Approval-Number
UL 	600 V, 15 A	E 63093
CSA 	600 V, 16 A	172062-1027396 (LR 48323-2)

In general approvals refer to representative versions of the connector series. Extent and specification of tests upon request.

General Characteristics	Standard	Value
Number of contacts		10 + ⊕ 18 + ⊕ 32 + ⊕ 46 + ⊕
Termination technique		crimp
Wire gauge		0.5 mm ² - 4.0 mm ²
Flammability	UL 94	V-0
Electrical Characteristics		
Rated voltage	IEC 60664-1	500 V (600 V UL / CSA)
Pollution degree	IEC 60664-1	3
Installation (overvoltage) category	IEC 60664-1	III
Material group	IEC 60664-1	III b
Rated impulse withstand voltage	IEC 60664-1	6 kV
Current carrying capacity	IEC 60512-5-2	see derating curves
Contact resistance	IEC 60512-2-1	≤ 5 mΩ
Insulation resistance	IEC 60512-3-1	≥ 10 ¹⁰ Ω
Climatical Characteristics		
Climatic category	IEC 60068-1	40 / 100 / 21
Upper temperature	IEC 60512-11-9	+ 100 °C
Lower temperature	IEC 60512-11-10	- 40 °C
Mechanical Characteristics		
Mechanical operation	IEC 60512-9-1	> 500 mating cycles
IP-degree of protection pin insert	IEC 60529	unmated IP00 mated IP20
IP-degree of protection socket insert	IEC 60529	unmated IP20 mated IP20
Materials		
Insert		PC
Colour insert		grey
Contacts		CuZn (brass)
Contact plating		Ag (silver) / Au (gold)

Derating curves



Description	Part Number	Drawing	Figure
Contact insert 10 + ⊕ Size E 6 (Please order contacts separately, see page 67) Housings from page 196			
Male insert for turned crimp contacts	C146 10A010 500 10		
Female insert for turned crimp contacts	C146 10B010 500 10		

Pin layout	Assembly instruction
<p>Male insert</p> <p>Female insert</p>	<p>Panel cut out (insert)</p>

Description	Part Number	Drawing	Figure
Contact insert 18 + ⊕ Size E 10 (Please order contacts separately, see page 67) Housings from page 198			
Male insert for turned crimp contacts	C146 10A018 500 10		
Female insert for turned crimp contacts	C146 10B018 500 10		


Pin layout	Assembly instruction
<p>Male insert</p> <p>Female insert</p>	<p>Panel cut out (insert)</p>

Description	Part Number	Drawing	Figure
Contact insert 32 + Ⓢ Size E 16 (Please order contacts separately, see page 67) Housings from page 205			
Male insert for turned crimp contacts	C146 10A032 500 10		
Female insert for turned crimp contacts	C146 10B032 500 10		

Pin layout	Assembly instruction
<p>Male insert</p> <p>Female insert</p>	<p>Panel cut out (insert)</p>

Description	Part Number	Drawing	Figure
Contact insert 46 + Ⓢ Size E 24 (Please order contacts separately, see page 67) Housings from page 211			
Male insert for turned crimp contacts	C146 10A046 500 10		
Female insert for turned crimp contacts	C146 10B046 500 10		

Pin layout	Assembly instruction
<p>Male insert</p> <p>Female insert</p>	<p>Panel cut out (insert)</p>

Supplied as	for wire gauge	AWG	Pieces	Part Number		Figure
				Male contact	Female contact	
Turned crimp contacts single contact 2.5mm						
silver plating	0.5 mm ²	20	100	VN01 025 0035 1C	VN02 025 0035 1C	
	0.75 - 1.0 mm ²	18	100	VN01 025 0036 1C	VN02 025 0036 1C	
	1.5 mm ²	16	100	VN01 025 0037 1C	VN02 025 0037 1C	
	2.5 mm ²	14	100	VN01 025 0038 1C	VN02 025 0038 1C	
	4.0 mm ²	12	100	VN01 025 0039 1C	VN02 025 0039 1C	
gold plating	0.5 mm ²	20	100	VN01 025 0035 2C	VN02 025 0035 2C	
	0.75 - 1.0 mm ²	18	100	VN01 025 0036 2C	VN02 025 0036 2C	
	1.5 mm ²	16	100	VN01 025 0037 2C	VN02 025 0037 2C	
	2.5 mm ²	14	100	VN01 025 0038 2C	VN02 025 0038 2C	
	4.0 mm ²	12	100	VN01 025 0039 2C	VN02 025 0039 2C	
Tools for turned crimp contacts						
Description	for wire gauge	Part Number				
		Contact locator	Crimping dies	Tool		
Removal tool for contacts				FG 0300 146 7		
Crimping tool for stamped single contacts	0.5 - 2.5 mm ² 4 mm ²	TA 0010 146 000 6	TA 0000 144	TA 0000		
		TA 0010 146 000 7	TA 0000 124	TA 0500		
4-indent crimping tool for turned contacts				TB 0600 146		
Further tools see catalogue "Tools"						

The background image shows a large industrial facility with a high ceiling, steel beams, and several large green and yellow machines. The machines are arranged in a line, and there are stacks of cardboard boxes on pallets in the background. The lighting is bright, with several overhead lamps visible.

heavy | mate[®] E / FE / KO

- Rated voltage 400 V
- Material contacts: iron-constantan
- Rated current 10 A
- Number of contacts: 6, 10, 16, 24



Connectors with iron (FE) and constantan (CO) contacts

are basically used in measuring and control circuits to serve as interface between FE/CO thermocouples and control unit, i. e. temperature control of moulds in injection moulding machines. Through the use of FE/CO connectors in the thermocouple circuit the measuring results are more accurate, thus the tolerance of the temperature control is much narrower.

Amphenol's Industrial Connectors with iron (FE) an Contantan (CO) contacts are used to connect FE/CO thermocouples with electronic signal amplifiers in measuring and control circuits, i. e. for temperature control of moulding machines.

Errors with various combinations

The connection of unlike metals (FE/Brass and CO/Brass) generate thermoelectric voltage errors in the mesuring circuit caused by the flow from iron wire to the brass contact or by temperature changes at the contact elements.

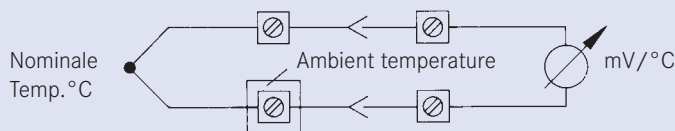
Nominal Temp.	Contact Material	without Thermo Contacts		with Thermo Contacts	
		MS/FE	MS/KO	FE/FE	KO/KO
100 °C		+ 4 %	- 16 %	- 4 %	- 2 %
200 °C		+ 2.5 %	- 8 %	- 3 %	- 1.5 %
300 °C		+ 1.3 %	- 12.7 %	- 1.3 %	0 %
400 °C		+ 1.5 %	- 4.5 %	- 1.0 %	0 %

By using FE/CO contacts respectively these deviations will be minimized.

Material / Temperature Range

Temperatur range	Material/measurement procedure
< 150 °C	any/Resistance measurement
150 °C - 450 °C	FE-CO (iron/Constantan)
450 °C - approx. 1000 °C	Ni/Cr-Ni (Nickel/Chrome/Nickel)

Temperature changes cause errors



heavy|mate® E / FE / KO Characteristics contact inserts

General Characteristics	Standard	Value			
Number of contacts		6 + ☹	10 + ☹	16 + ☹	24 + ☹
Termination technique		screw			
Wire gauge		0.25 mm ² - 2.5 mm ²			
Flammability	UL 94	V-0			
Electrical Characteristics					
Rated voltage	IEC 60664-1	500 V			
Pollution degree	IEC 60664-1	3			
Installation (overvoltage) category	IEC 60664-1	III			
Material group	IEC 60664-1	III b			
Current carrying capacity	IEC 60664-1	6 kV			
Rated current T _{amp} = 40 °C		10 A			
Contact resistance	IEC 60512-2-1	≤ 10 m Ω			
Insulation resistance	IEC 60512-3-1	≥ 10 ¹⁰ Ω			
Climatical Characteristics					
Climatic category	IEC 60068-1	40 / 100 / 21			
Upper temperature	IEC 60512-11-9	+ 100 °C			
Lower temperature	IEC 60512-11-10	- 40 °C			
Mechanical Characteristics					
IP-degree of protection pin insert ¹⁾	IEC 60529	unmated IP00		mated IP20	
IP-degree of protection socket insert ¹⁾	IEC 60529	unmated IP20		mated IP20	
Weight pin insert		45 g	60 g	78 g	105 g
Weight socket insert		45 g	60 g	78 g	105 g
Mechanical operation	IEC 60512-9-1	≥ 100 mating cycles			
Materials					
Insert		PA, GV (Polyamid)			
Colour insert		grey			
Contacts		iron; gal cd 4 constantan = without plating			

Description	Part Number	Drawing	Figure
Contact insert 6 + ⊕ with iron-constantan contacts			
Male insert with wire protection	C146 10A006 810 1		
Female insert with wire protection	C146 10B006 810 1		

Pin layout		Assembly instruction
Male insert	Female insert	Panel cut out (insert)

Description	Part Number	Drawing	Figure
Contact insert 10 + ⊕ with iron-constantan contacts			
Male insert with wire protection	C146 10A010 810 1		
Female insert with wire protection	C146 10B010 810 1		

Pin layout		Assembly instruction
Male insert	Female insert	Panel cut out (insert)

Description	Part Number	Drawing	Figure
Contact insert 16 + ⊕ with iron-constantan contacts			
Male insert with wire protection	C146 10A016 810 1		
Female insert with wire protection	C146 10B016 810 1		

Pin layout		Assembly instruction
Male insert	Female insert	Panel cut out (insert)

Description	Part Number	Drawing	Figure
Contact insert 24 + ⊕ with iron-constantan contacts			
Male insert with wire protection	C146 10A024 810 1		
Female insert with wire protection	C146 10B024 810 1		



Pin layout		Assembly instruction
Male insert	Female insert	Panel cut out (insert)



heavy | mate[®] F

- Modular connector
- Compatible with market standard
- Rated voltage up to 1000 V
- Rated current up to 100 A
- Termination: crimp
- Numbers of contacts: 2 - 102



Approvals, Testhouse	Characteristics	Approval-Number
UL 	in preparation	in preparation
CSA 	in preparation	in preparation

General information

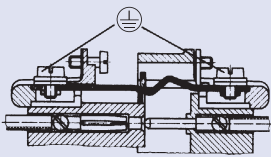
- Modules inserts without crimp contacts, crimping tools see separate catalogue “Tools”.
- Contacts must be ordered separately, processing instructions see catalogue “Tools”.
- Connectors series heavy|mate® F may be engaged or disengaged when live but without electrical load.
If these connectors are mated or unmated under load, the load shall be reduced to 10 % of rated current.
- We recommend using the high profile housings / hoods for the heavy|mate® F inserts.
- Empty modul spaces have to be filled with blind modules.
- Torque for PE connection 1.2 Nm



Advantages of the system

- No standard but interchangeable with competitive products.
- Housings are designed according to DIN EN 175 301 801
- Simply connecting of the modules and frames.

First-to-mate last-to-break protective ground contact



Range of housings

Size E6



Size E10



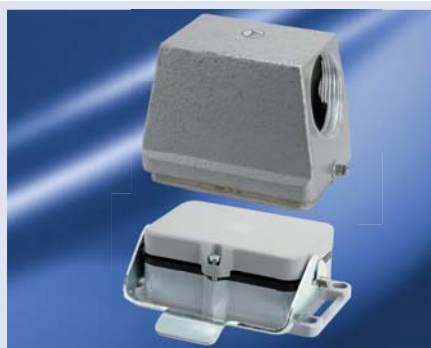
Size E16



Size E24



Size E48



Requirements

- 3 x 400V; 50A; 6mm² wire gauge
- 8 x 250V; 8A; 1.5mm² wire gauge
- 5 x 400V; 15A; 4mm² wire gauge

Solution

1. Check how 16 contacts can be realized; see modules overview on page 78

Possible selection:

- a) 1 x 17 contacts
- b) 2 x 12 contacts
- c) 1 x 6 contacts + 1 x 12 contacts
- d) 1 x 3 contacts + 1 x 6 contacts + 1 x 12 contacts

2. Check technical parameters / solution, see detail pages of the modules from page 84

Possible selection:

- a) not possible due to voltage
- b) not possible due to voltage
- c) not possible due to current
- d) POSSIBLE

3. Choose matching contact, see detail page of the modules on page 84

Possible selection:

- a) 3 contacts = C146 10A003 500 15 → contacts = VN01 040 0013 1C
- b) 6 contacts = C146 10A006 500 15 → contacts = VN01 025 0039 1C
- c) 12 contacts = C146 10A012 500 15 → contacts = VN01 016 0027 1C

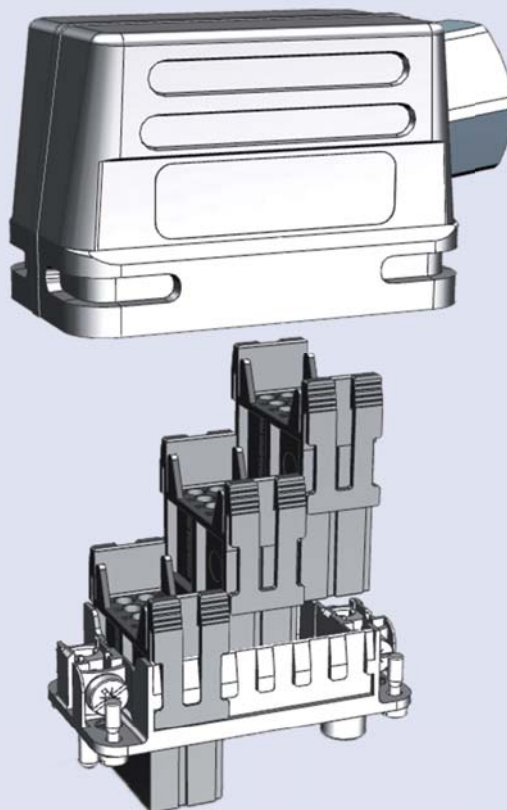
4. Choose matching frame, see frames on page 82

Solution: C146 10P10 000 15

5. Choose matching housing, see housings on page 184

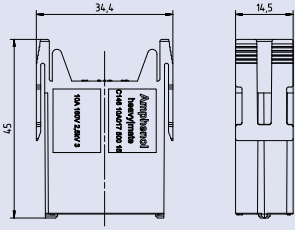

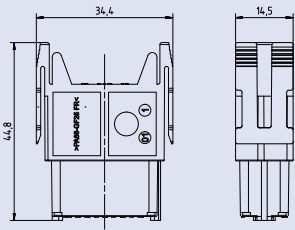

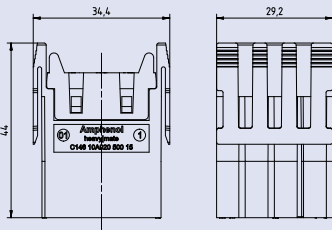

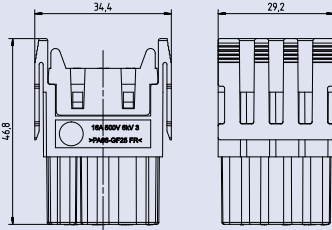

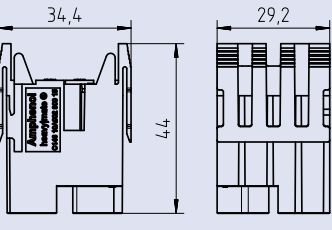

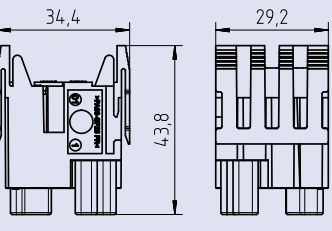

Solution: C146 21R010 600 8

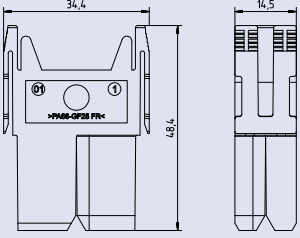

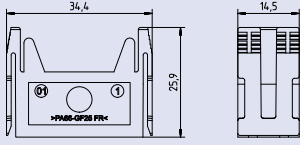

Schematic construction



Description	Part Number	Drawing	Figure
2 contacts module for turned contacts, 1000V, details see page 84			
Pin modules	C146 10A002 100 15		
Socket modules	C146 10B002 100 15		
3 contacts module for turned contacts, details see page 86			
Pin modules	C146 10A003 500 15		
Socket modules	C146 10B003 500 15		
4 contacts module for turned contacts, 830 V, details see page 88			
Pin modules	C146 10A004 500 15		
Socket modules	C146 10B004 500 15		

Description	Part Number	Drawing	Figure
6 contacts module for turned contacts, 500 V, details see page 90			
Pin modules	C146 10A006 500 15		
Socket modules	C146 10B006 500 15		
8 contacts module for turned contacts, 400 V, details see page 92			
Pin modules	C146 10A008 500 15		
Socket modules	C146 10B008 500 15		
12 contacts module for turned contacts, 250 V, details see page 94			
Pin modules	C146 10A012 500 15		
Socket modules	C146 10B012 500 15		

Description	Part Number	Drawing	Figure
17 contacts module for turned contacts, 160 V, details see page 96			
Pin modules	C146 10A017 500 15		
Socket modules	C146 10B017 500 15		
20 contacts module for turned contacts, 500 V, details see page 98			
Pin modules	C146 10A020 500 15		
Socket modules	C146 10B020 500 15		
Shielded module 2x4 contacts for bus signals,, 50 V, details see page 100			
Pin modules	C146 10A002 900 15 C146 10A004 901 15		
Socket modules	C146 10B002 900 15 C146 10B004 901 15		

Description	Part Number	Drawing	Figure
Blind module, details see page 102			
Blind module with centering function	C146 10H000 000 15		
Blind module standard	C146 10H000 001 15		

Description	Part Number	Drawing	Figure
Frame for 2 modules Size E6 Housings from page 196			
Frame for pin modules	C146 10P06 000 15		
Frame for socket modules	C146 10S06 000 15		
Frame for 3 modules Size E10 Housings from page 198			
Frame for pin modules	C146 10P10 000 15		
Frame for socket modules	C146 10S10 000 15		
Frame for 4 modules Size E16 Housings from page 205			
Frame for pin modules	C146 10P16 000 15		
Frame for socket modules	C146 10S16 000 15		

Description	Part Number	Drawing	Figure
Frame for 6 modules Size E24 Housings from page 2 1 1			
Frame for pin modules	C146 10P024 000 15		
Frame for socket modules	C146 10S024 000 15		

heavy|mate® F Characteristics 2 contacts high current module

General Characteristics	Standard	Value
Number of contacts		2
Termination technique		crimp
Wire Gauge		10 – 35 mm ² (AWG 8-2)
Flammability	UL94	V-0
Elektrische Kennwerte		
Rated voltage	IEC 60664-1	1000 V
Pollution degree	IEC 60664-1	3
Installation (overvoltage) category	IEC 60664-1	III
Material group	IEC 60664-1	II (PA)
Rated impulse withstand voltage	IEC 60664-1	8 kV
Current carrying capacity	IEC 60512-5-2	see derating curves
Contact resistance	IEC 60512-2-1	≤ 5 mΩ
Insulation resistance	IEC 60512-3-1	≥ 10 ¹² Ω
Climatical Characteristics		
Climatic category	IEC 60068-1	40/125/21
Upper temperature	IEC 60512-11-9	+125°C
Lower temperature	IEC 60512-11-10	-40°C
Mechanical Characteristics		
Mechanical operation	IEC 60512-9-1	≥500 mating cycles
IP-degree of protection	IEC 60529	IP00 (pin insert) / IP20 (socket insert)
Materials		
Module		PA6.6 GF
Colour module		black
Contact		CuZn (brass)
Contact plating		Ag (silver)

Derating Curves

In preparation

heavy|mate® F 2 contacts high current module + crimp contacts

Description	Part Number	Drawing	Figure
2 contacts high current module (Please order contacts separately)			
Pin module	C146 10A002 100 15		
Socket module	C146 10B002 100 15		

Supplied as	for wire gauge	AWG	Part Number		Figure
			Male contact	Female contact	
Turned 8 mm crimp contacts single contact					
silver plating	10 mm ²	8	N01 080 0003 1	N02 080 0003 1	
	16 mm ²	6	N01 080 0004 1	N02 080 0004 1	
	25 mm ²	4	N01 080 0005 1	N02 080 0005 1	
	35 mm ²	2	N01 080 0006 1	N02 080 0006 1	

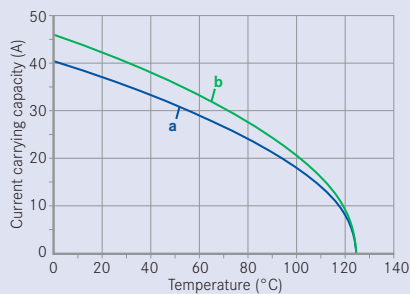
Tools				
Description	for wire gauge	Part Number		
		Contact locator	Crimping dies	Tool
Crimping dies	25 mm ² 35 mm ²		TE 0600 042 TE 0600 022	

For use in pneumatic crimping tool EK1 2042 by Klauke or AHPW 400C by Neko .
Further tools see catalogue "Tools"

heavy|mate® F Characteristics 3 contacts module

General Characteristics	Standard	Value
Number of contacts		3
Termination technique		crimp
Wire Gauge		1.5 - 6.0 mm ² (AWG 16-10)
Flammability	UL94	V-0
Electrical Characteristics		
Rated voltage	IEC 60664-1	400 V (conductor - earth) 690 V (conductor - conductor)
Pollution degree	IEC 60664-1	3
Installation (overvoltage) category	IEC 60664-1	III
Material group	IEC 60664-1	II (PA)
Rated impulse withstand voltage	IEC 60664-1	6 kV
Current carrying capacity	IEC 60512-5-2	see derating curves
Contact resistance	IEC 60512-2-1	≤ 5 mΩ
Insulation resistance	IEC 60512-3-1	≥ 10 ¹⁰ Ω
Climatical Characteristics		
Climatic category	IEC 60068-1	40/125/21
Upper temperature	IEC 60512-11-9	+125°C
Lower temperature	IEC 60512-11-10	-40°C
Mechanical Characteristics		
Mechanical operation	IEC 60512-9-1	≥500 mating cycles
IP-degree of protection	IEC 60529	IP00 (pin insert) / IP20 (socket insert)
Materials		
Module		PA6.6 GF
Colour module		black
Contact		CuZn (brass)
Contact plating		Ag (silver) / Au (gold)

Derating Curves



Curve	Wire gauge
a	4 mm ²
b	6 mm ²

heavy|mate® F 3 contacts module + crimp contacts

Description	Part Number	Drawing	Figure
3 contacts module (Please order contacts separately)			
Pin module			
for wire gauge 1.5 - 6 mm ²	C146 10A003 500 15		
for wire gauge 10 mm ²	C146 10A003 501 15		
Socket module			
for wire gauge 1.5 - 6 mm ²	C146 10B003 500 15		
for wire gauge 10 mm ²	C146 10B003 501 15		

Supplied as	for wire gauge	AWG	Pieces	Part Number		Figure
				Male contact	Female contact	
Turned 4 mm crimp contacts single contact						
silver plating	1.5 mm ²	16	100	VN01 040 0010 1C	VN02 040 0010 1C	
	2.5 mm ²	14	100	VN01 040 0011 1C	VN02 040 0011 1C	
	4 mm ²	12	100	VN01 040 0012 1C	VN02 040 0012 1C	
	6 mm ²	10	100	VN01 040 0013 1C	VN02 040 0013 1C	
	10 mm ²	8	100	VN01 040 0015 1C	VN02 040 0015 1C	

Tools for 4 mm² turned contacts

Description	for wire gauge	Part Number		
		Contact locator	Crimping dies	Tool
Removal tool for contacts		TB 0000 146 0008	TP 0000 146 1400	FG 0300 146 5000
4-indent crimping tool ¹⁾				TB 0700 146
Further tools see catalogue "Tools"				

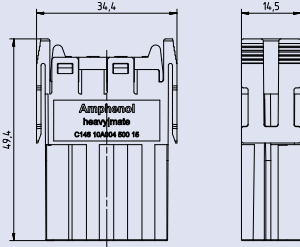

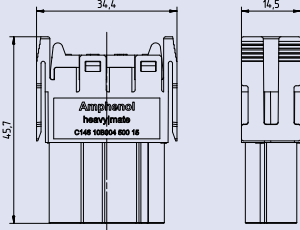

heavy|mate® F Characteristics 4 contacts module


General Characteristics	Standard	Value
Number of contacts		4
Termination technique		crimp
Wire Gauge		1.5 - 6.0 mm ² (AWG 16-10)
Flammability	UL94	V-0
Electrical Characteristics		
Rated voltage	IEC 60664-1	830 V
Pollution degree	IEC 60664-1	3
Installation (overvoltage) category	IEC 60664-1	III
Material group	IEC 60664-1	II (PA)
Rated impulse withstand voltage	IEC 60664-1	8 kV
Current carrying capacity	IEC 60512-5-2	see derating curves
Contact resistance	IEC 60512-2-1	≤ 5 mΩ
Insulation resistance	IEC 60512-3-1	≥ 10 ¹² Ω
Climatical Characteristics		
Climatic category	IEC 60068-1	40/125/21
Upper temperature	IEC 60512-11-9	+125°C
Lower temperature	IEC 60512-11-10	-40°C
Mechanical Characteristics		
Mechanical operation	IEC 60512-9-1	≥500 mating cycles
IP-degree of protection	IEC 60529	IP20
Materials		
Module		PA6.6 GF
Colour module		black
Contact		CuZn (brass)
Contact plating		Ag (silver)

Derating Curves

In preparation

heavy|mate® F 4 contacts module + crimp contacts

Description	Part Number	Drawing	Figure
4 contacts module (Please order contacts separately)			
Pin module	C146 10A004 500 15		
Socket module	C146 10B004 500 15		

Supplied as	for wire gauge	AWG	Pieces	Part Number		Figure
				Male contact	Female contact	
Turned 4 mm crimp contacts single contact						
silver plating	1.5 mm ²	16	100	VN01 040 0010 1C	VN02 040 0010 1C	
	2.5 mm ²	14	100	VN01 040 0011 1C	VN02 040 0011 1C	
	4 mm ²	12	100	VN01 040 0012 1C	VN02 040 0012 1C	
	6 mm ²	10	100	VN01 040 0013 1C	VN02 040 0013 1C	

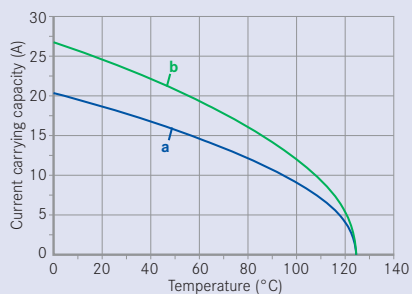
Tools for 4 mm² turned contacts

Description	for wire gauge	Part Number		
		Contact locator	Crimping dies	Tool
Removal tool for contacts		TB 0000 146 0008	TP 0000 146 1400	FG 0300 146 5000
4-indent crimping tool ¹⁾				TB 0700 146
Further tools see catalogue "Tools"				

heavy|mate® F Characteristics 6 contacts module

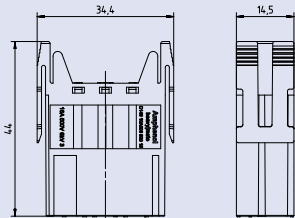

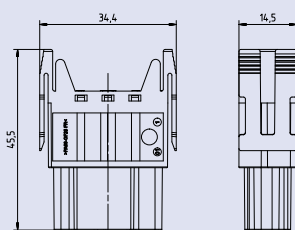

General Characteristics	Standard	Value
Number of contacts		6
Termination technique		crimp
Wire Gauge		0.5 -4.0 mm ² (AWG 20-12)
Flammability	UL94	V-0
Electrical Characteristics		
Rated voltage	IEC 60664-1	500 V
Pollution degree	IEC 60664-1	3
Installation (overvoltage) category	IEC 60664-1	III
Material group	IEC 60664-1	II (PA)
Rated impulse withstand voltage	IEC 60664-1	6 kV
Current carrying capacity	IEC 60512-5-2	see derating curves
Contact resistance	IEC 60512-2-1	≤ 5 mΩ
Insulation resistance	IEC 60512-3-1	≥ 10 ¹⁰ Ω
Climatical Characteristics		
Climatic category	IEC 60068-1	40/125/21
Upper temperature	IEC 60512-11-9	+125°C
Lower temperature	IEC 60512-11-10	-40°C
Mechanical Characteristics		
Mechanical operation	IEC 60512-9-1	≥500 mating cycles
IP-degree of protection	IEC 60529	IP00 (pin insert) / IP20 (socket insert)
Materials		
Module		PA6.6 GF
Colour module		black
Contact		CuZn (brass)
Contact plating		Ag (silver) / Au (gold)

Derating Curves



Curve	Wire gauge
a	1.5 mm ²
b	2.5 mm ²

heavy|mate® F 6 contacts module + crimp contacts

Description	Part Number	Drawing	Figure
6 contacts module (Please order contacts separately)			
Pin module	C146 10A006 500 15		
Socket module	C146 10B006 500 15		

Supplied as	for wire gauge	AWG	Pieces	Part Number		Figure
				Male contact	Female contact	
Turned 2.5 mm crimp contacts single contact						
silver plating	0.5 mm ²	20	100	VN01 025 0035 1C	VN02 025 0035 1C	
	0.75 - 1.0 mm ²	18	100	VN01 025 0036 1C	VN02 025 0036 1C	
	1.5 mm ²	16	100	VN01 025 0037 1C	VN02 025 0037 1C	
	2.5 mm ²	14	100	VN01 025 0038 1C	VN02 025 0038 1C	
	4.0 mm ²	12	100	VN01 025 0039 1C	VN02 025 0039 1C	
gold plating	0.5 mm ²	20	100	VN01 025 0035 2C	VN02 025 0035 2C	
	0.75 - 1.0 mm ²	18	100	VN01 025 0036 2C	VN02 025 0036 2C	
	1.5 mm ²	16	100	VN01 025 0037 2C	VN02 025 0037 2C	
	2.5 mm ²	14	100	VN01 025 0038 2C	VN02 025 0038 2C	
	4.0 mm ²	12	100	VN01 025 0039 2C	VN02 025 0039 2C	

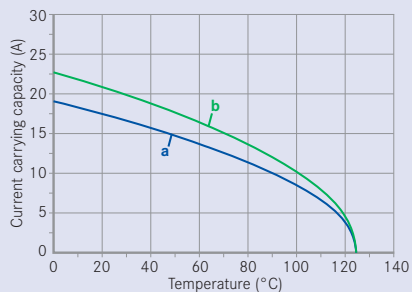
Tools for turned contacts

Description	for wire gauge	Part Number		
		Contact locator	Crimping dies	Tool
Removal tool for contacts				FG 0300 146 7
Crimping tool for turned single contacts	0.5 - 2.5 mm ²	TA 0010 146 000 6	TA 0000 144	TA 0000
	4 mm ²	TA 0010 146 000 7	TA 0000 124	TA 0500
4-indent crimping tool for turned contacts				TB 0600 146
Further tools see catalogue "Tools"				

heavy|mate® F Characteristics 8 contacts module

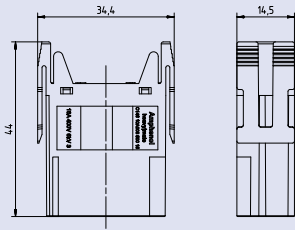

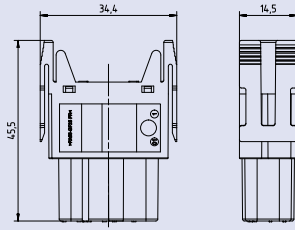

General Characteristics	Standard	Value
Number of contacts		8
Termination technique		crimp
Wire Gauge		0.5 – 4.0 mm ² (AWG 20-12)
Flammability	UL94	V-0
Electrical Characteristics		
Rated voltage	IEC 60664-1	400 V
Pollution degree	IEC 60664-1	3
Installation (overvoltage) category	IEC 60664-1	III
Material group	IEC 60664-1	II (PA)
Rated impulse withstand voltage	IEC 60664-1	6 kV
Current carrying capacity	IEC 60512-5-2	see derating curves
Contact resistance	IEC 60512-2-1	≤ 5 mΩ
Insulation resistance	IEC 60512-3-1	≥ 10 ¹⁰ Ω
Climatical Characteristics		
Climatic category	IEC 60068-1	40/125/21
Upper temperature	IEC 60512-11-9	+125°C
Lower temperature	IEC 60512-11-10	-40°C
Mechanical Characteristics		
Mechanical operation	IEC 60512-9-1	≥500 mating cycles
IP-degree of protection	IEC 60529	IP00 (pin insert) / IP20 (socket insert)
Materials		
Module		PA6.6 GF
Colour module		black
Contact		CuZn (brass)
Contact plating		Ag (silver) / Au (gold)

Derating Curves



Curve	Wire gauge
a	1.5 mm ²
b	2.5 mm ²

heavy|mate® F 8 contacts module + crimp contacts

Description	Part Number	Drawing	Figure
8 contacts module (Please order contacts separately)			
Pin module	C146 10A008 500 15		
Socket module	C146 10B008 500 15		

Supplied as	for wire gauge	AWG	Pieces	Part Number		Figure
				Male contact	Female contact	
Turned 2.5 mm crimp contacts single contact						
silver plating	0.5 mm ²	20	100	VN01 025 0035 1C	VN02 025 0035 1C	
	0.75 - 1.0 mm ²	18	100	VN01 025 0036 1C	VN02 025 0036 1C	
	1.5 mm ²	16	100	VN01 025 0037 1C	VN02 025 0037 1C	
	2.5 mm ²	14	100	VN01 025 0038 1C	VN02 025 0038 1C	
	4.0 mm ²	12	100	VN01 025 0039 1C	VN02 025 0039 1C	
gold plating	0.5 mm ²	20	100	VN01 025 0035 2C	VN02 025 0035 2C	
	0.75 - 1.0 mm ²	18	100	VN01 025 0036 2C	VN02 025 0036 2C	
	1.5 mm ²	16	100	VN01 025 0037 2C	VN02 025 0037 2C	
	2.5 mm ²	14	100	VN01 025 0038 2C	VN02 025 0038 2C	
	4.0 mm ²	12	100	VN01 025 0039 2C	VN02 025 0039 2C	

Tools for turned contacts

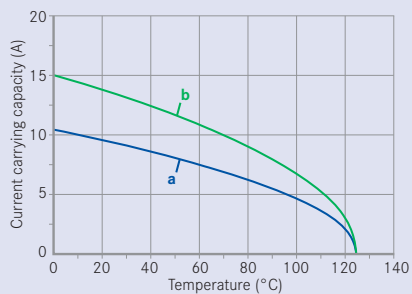
Description	for wire gauge	Part Number		
		Contact locator	Crimping dies	Tool
Removal tool for contacts				FG 0300 146 7
Crimping tool for turned single contacts	0.5 - 2.5 mm ²	TA 0010 146 000 6	TA 0000 144	TA 0000
	4 mm ²	TA 0010 146 000 7	TA 0000 124	TA 0500
4-indent crimping tool for turned contacts				TB 0600 146

Further tools see catalogue "Tools"

heavy|mate® F Characteristics 12 contacts module

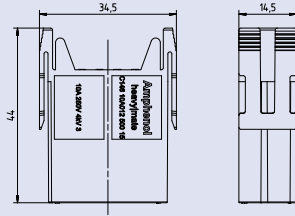

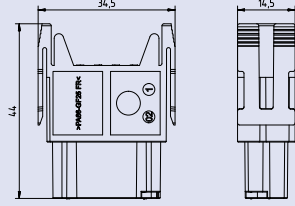

General Characteristics	Standard	Value
Number of contacts		12
Termination technique		crimp
Wire Gauge		0.14 – 2.5 mm ² (AWG 26-14)
Flammability	UL94	V-0
Electrical Characteristics		
Rated voltage	IEC 60664-1	250 V (conductor – earth) 400 V (conductor – conductor)
Pollution degree	IEC 60664-1	3
Installation (overvoltage) category	IEC 60664-1	III
Material group	IEC 60664-1	II (PA)
Rated impulse withstand voltage	IEC 60664-1	4 kV
Current carrying capacity	IEC 60512-5-2	see derating curves
Contact resistance	IEC 60512-2-1	≤ 5 mΩ
Insulation resistance	IEC 60512-3-1	≥ 10 ¹⁰ Ω
Climatical Characteristics		
Climatic category	IEC 60068-1	40/100/21
Upper temperature	IEC 60512-11-9	+100°C
Lower temperature	IEC 60512-11-10	-40°C
Mechanical Characteristics		
Mechanical operation	IEC 60512-9-1	≥500 mating cycles
IP-degree of protection	IEC 60529	IP00 (pin insert) / IP20 (socket insert)
Materials		
Module		PA6.6 GF
Colour module		black
Contact		CuZn (brass)
Contact plating		Ag (silver) / Au (gold)

Derating Curves



Curve	Wire gauge
a	1.0 mm ²
b	1.5 mm ²

heavy|mate® F 12 contacts module + crimp contacts

Description	Part Number	Drawing	Figure
12 contacts module (Please order contacts separately)			
Pin module	C146 10A012 500 15		
Socket module	C146 10B012 500 15		

Supplied as	for wire gauge	AWG	Pieces	Part Number		Figure
				Male contact	Female contact	
Turned crimp contacts single contact						
silver plating	0.14 - 0.37 mm ²	26 - 22	100	VN01 016 0024 1C	VN02 016 0024 1C	
	0.5 mm ²	20	100	VN01 016 0025 1C	VN02 016 0025 1C	
	0.75 - 1.0 mm ²	20 - 16	100	VN01 016 0026 1C	VN02 016 0026 1C	
	1.5 mm ²	16 - 15	100	VN01 016 0027 1C	VN02 016 0027 1C	
	2.5 mm ²	14	100	VN01 016 0028 1C	VN02 016 0028 1C	
gold plating	0.14 - 0.37 mm ²	26 - 22	100	VN01 016 0024 2C	VN02 016 0024 2C	
	0.5 mm ²	20	100	VN01 016 0025 2C	VN02 016 0025 2C	
	0.75 - 1.0 mm ²	20 - 16	100	VN01 016 0026 2C	VN02 016 0026 2C	
	1.5 mm ²	16 - 15	100	VN01 016 0027 2C	VN02 016 0027 2C	
	2.5 mm ²	14	100	VN01 016 0028 2C	VN02 016 0028 2C	

Tools for turned contacts

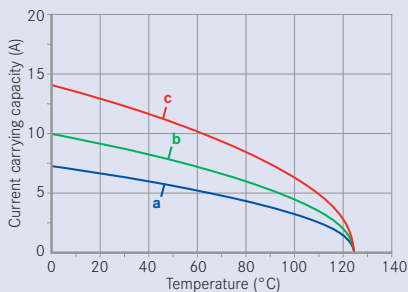
Description	for wire gauge	Part Number		
		Contact locator	Crimping dies	Tool
Removal tool for contacts	-	-	-	FG 0300 146 1
Service crimping tool	0.14 - 0.5 mm ² 0.5 - 1.5 mm ²	-	-	TA 0100 146

Further tools see catalogue "Tools"

heavy|mate® F Characteristics 17 contacts module

General Characteristics	Standard	Value
Number of contacts		17
Termination technique		crimp
Wire Gauge		0.14 – 2.5mm ² (AWG 26-14)
Flammability	UL94	V-0
Electrical Characteristics		
Rated voltage	IEC 60664-1	160 V
Pollution degree	IEC 60664-1	3
Installation (overvoltage) category	IEC 60664-1	III
Material group	IEC 60664-1	II (PA)
Rated impulse withstand voltage	IEC 60664-1	2.5 kV
Current carrying capacity	IEC 60512-5-2	see derating curves
Contact resistance	IEC 60512-2-1	≤ 5 mΩ
Insulation resistance	IEC 60512-3-1	≥ 10 ¹⁰ Ω
Climatical Characteristics		
Climatic category	IEC 60068-1	40/100/21
Upper temperature	IEC 60512-11-9	+100°C
Lower temperature	IEC 60512-11-10	-40°C
Mechanical Characteristics		
Mechanical operation	IEC 60512-9-1	≥500 mating cycles
IP-degree of protection	IEC 60529	IP00 (pin insert) / IP20 (socket insert)
Materials		
Module		PA6.6 GF
Colour module		black
Contact		CuZn (brass)
Contact plating		Ag (silver) / Au (gold)

Derating Curves



Curve	Wire gauge
a	0.5 mm ²
b	1.0 mm ²
c	1.5 mm ²

heavy|mate® F 17 contacts module + crimp contacts

Description	Part Number	Drawing	Figure
17 contacts module (Please order contacts separately)			
Pin module	C146 10A017 500 15		
Socket module	C146 10B017 500 15		

Supplied as	for wire gauge	AWG	Pieces	Part Number		Figure
				Male contact	Female contact	
Turned crimp contacts single contact						
silver plating	0.14 - 0.37 mm ²	26 - 22	100	VN01 016 0024 1C	VN02 016 0024 1C	
	0.5 mm ²	20	100	VN01 016 0025 1C	VN02 016 0025 1C	
	0.75 - 1.0 mm ²	20 - 16	100	VN01 016 0026 1C	VN02 016 0026 1C	
	1.5 mm ²	16 - 15	100	VN01 016 0027 1C	VN02 016 0027 1C	
	2.5 mm ²	14	100	VN01 016 0028 1C	VN02 016 0028 1C	
gold plating	0.14 - 0.37 mm ²	26 - 22	100	VN01 016 0024 2C	VN02 016 0024 2C	
	0.5 mm ²	20	100	VN01 016 0025 2C	VN02 016 0025 2C	
	0.75 - 1.0 mm ²	20 - 16	100	VN01 016 0026 2C	VN02 016 0026 2C	
	1.5 mm ²	16 - 15	100	VN01 016 0027 2C	VN02 016 0027 2C	
	2.5 mm ²	14	100	VN01 016 0028 2C	VN02 016 0028 2C	

Tools for turned contacts

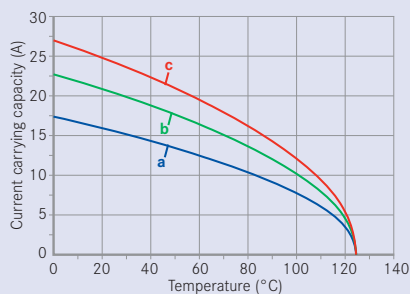
Description	for wire gauge	Part Number		
		Contact locator	Crimping dies	Tool
Removal tool for contacts	-	-	-	FG 0300 146 1
Service crimping tool	0.14 - 0.5 mm ² 0.5 - 1.5 mm ²	-	-	TA 0100 146

Further tools see catalogue "Tools"

heavy|mate® F Characteristics 20 contacts module

General Characteristics	Standard	Value
Number of contacts		20
Termination technique		crimp
Wire Gauge		0.5 -4.0 mm ² (AWG 20-12)
Flammability	UL94	V-0
Electrical Characteristics		
Rated voltage	IEC 60664-1	500 V
Pollution degree	IEC 60664-1	3
Installation (overvoltage) category	IEC 60664-1	III
Material group	IEC 60664-1	II (PA)
Rated impulse withstand voltage	IEC 60664-1	6 kV
Current carrying capacity	IEC 60512-5-2	see derating curves
Contact resistance	IEC 60512-2-1	≤ 5 mΩ
Insulation resistance	IEC 60512-3-1	≥ 10 ¹⁰ Ω
Climatical Characteristics		
Climatic category	IEC 60068-1	40/125/21
Upper temperature	IEC 60512-11-9	+125°C
Lower temperature	IEC 60512-11-10	-40°C
Mechanical Characteristics		
Mechanical operation	IEC 60512-9-1	≥500 mating cycles
IP-degree of protection	IEC 60529	IP00 (pin insert) / IP20 (socket insert)
Materials		
Module		PA6.6 GF
Colour module		black
Contact		CuZn (brass)
Contact plating		Ag (silver) / Au (gold)

Derating Curves



Curve	Wire gauge
a	1,5 mm ²
b	2,5 mm ²
c	4,0 mm ²

heavy|mate® F 20 contacts module + crimp contacts

Description	Part Number	Drawing	Figure
20 contacts module (Please order contacts separately)			
Pin module	C146 10A020 500 15		
Socket module	C146 10B020 500 15		

Supplied as	for wire gauge	AWG	Pieces	Part Number		Figure
				Male contact	Female contact	
Turned 2.5 mm crimp contacts single contact						
silver plating	0.5 mm ²	20	100	VN01 025 0035 1C	VN02 025 0035 1C	
	0.75 - 1.0 mm ²	18	100	VN01 025 0036 1C	VN02 025 0036 1C	
	1.5 mm ²	16	100	VN01 025 0037 1C	VN02 025 0037 1C	
	2.5 mm ²	14	100	VN01 025 0038 1C	VN02 025 0038 1C	
	4.0 mm ²	12	100	VN01 025 0039 1C	VN02 025 0039 1C	
gold plating	0.5 mm ²	20	100	VN01 025 0035 2C	VN02 025 0035 2C	
	0.75 - 1.0 mm ²	18	100	VN01 025 0036 2C	VN02 025 0036 2C	
	1.5 mm ²	16	100	VN01 025 0037 2C	VN02 025 0037 2C	
	2.5 mm ²	14	100	VN01 025 0038 2C	VN02 025 0038 2C	
	4.0 mm ²	12	100	VN01 025 0039 2C	VN02 025 0039 2C	

Tools for turned contacts

Description	for wire gauge	Part Number		
		Contact locator	Crimping dies	Tool
Removal tool for contacts				FG 0300 146 7
Crimping tool for turned single contacts	0.5 - 2.5 mm ²	TA 0010 146 000 6	TA 0000 144	TA 0000
	4 mm ²	TA 0010 146 000 7	TA 0000 124	TA 0500
4-indent crimping tool for turned contacts				TB 0600 146

Further tools see catalogue "Tools"

heavy|mate® F Characteristics Shielded module

General Characteristics	Standard	Value
Number of contacts		2X4
Termination technique		crimp
Wire Gauge		0.14 – 2.5 mm ² (AWG 26-14)
Flammability	UL94	V-0
Electrical Characteristics		
Rated voltage	IEC 60664-1	50 V
Pollution degree	IEC 60664-1	3
Installation (overvoltage) category	IEC 60664-1	3
Material group	IEC 60664-1	II (PA)
Rated impulse withstand voltage	IEC 60664-1	0,8 kV
Current carrying capacity at 40 ° C	IEC 60512-5-2	10A
Durchgangswiderstand	IEC 60512-2-1	≤ 5 mΩ
Climatical Characteristics		
Climatic category	IEC 60068-1	40/125/21
Upper temperature	IEC 60512-11-9	+125°C
Lower temperature	IEC 60512-11-10	-40°C
Mechanical Characteristics		
Mechanical operation	IEC 60512-9-1	≥500 mating cycles
Materials		
Module		PA
Colour module		black
Contact		Cu-alloy
Contact plating		Ag (silver) / Au (gold)

Modules for shielding surrender independently of the housing.
For the transmission of bus signals.

Description	Part Number	Drawing	Figure
Contact insert 2x4 contacts (Please order contacts separately)			
Pin module	C146 10A002 900 15		
Male contact carriers 4 contacts	C146 10A004 901 15		
Socket module	C146 10B002 900 15		
Female contact carriers 4 contacts	C146 10B004 901 15		
Potential balance spring Pin/ Socket module	N18 146 000 7		

Supplied as	for wire gauge	AWG	Pieces	Part Number		Figure
				Male contact	Female contact	

Turned 1.5 mm crimp contacts

single contact	0.14 – 0.37 mm ²	26-22	100	VN01 016 0024 2C	VN02 016 0024 2C	
	0.5 mm ²	20	100	VN01 016 0025 2C	VN02 016 0025 2C	
	0.75 – 1.0 mm ²	20-16	100	VN01 016 0026 2C	VN02 016 0026 2C	
	1.5 mm ²	16-15	100	VN01 016 0027 2C	VN02 016 0027 2C	
	2.5 mm ²	14	100	VN01 016 0028 2C	VN02 016 0028 2C	

Tools

Description	for wire gauge	Part Number		
		Contact locator	Crimping dies	Tool
Crimping tool	-	-	-	TA 0000 oder TA 0500
Crimping dies	-	-	TA 0000 184	-
Contact locator	-	TA 0010 146 000 1	-	-
Removal tool for contacts	-	-	-	FG 0300 146 1

Further tools see catalogue "Tools"

heavy|mate® F Characteristics Blind module

General Characteristics	Standard	Value
Number of contacts		0
Flammability	UL94	V-0
Electrical Characteristics		
Rated voltage	IEC 60664-1	0
Pollution degree	IEC 60664-1	3
Installation (overvoltage) category	IEC 60664-1	III
Material group	IEC 60664-1	II (PA)
Climatical Characteristics		
Climatic category	IEC 60068-1	40/100/21
Upper temperature	IEC 60512-11-9	+125°C
Lower temperature	IEC 60512-11-10	-40°C
Mechanical Characteristics		
Mechanical operation	IEC 60512-9-1	≥500 mating cycles
Materials		
Module		PA6.6 GF

Modules with centering function allow the use of the modular system in rack and panel applications without housing. The modules align a floating frame so that modules can be plugged centred. For optimal function two modules must be used in the frame.

heavy|mate® F Blind module



Description	Part Number	Drawing	Figure
Blind module			
Blind module with centering function	C146 10H000 000 15		
Blind module standard	C146 10H000 001 15		

The image shows a large industrial testing chamber, the heavy | mate[®] HSE, in a factory or laboratory setting. The chamber is constructed from blue and white metal panels with glass safety doors. A computer monitor is mounted on the front panel, displaying a software interface. To the right, a control panel with a keypad and a small screen is visible. The chamber is supported by a black four-legged stand. The floor is made of grey metal grating with yellow safety lines. The ceiling has exposed ductwork and fluorescent lights.

heavy | mate[®] HSE

- Rated voltage 400 V
- Rated current 42 A
- Termination: screw
- Number of contacts: 6

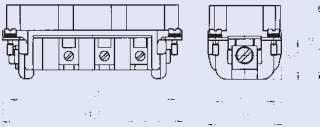

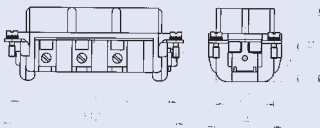



Approvals, Testhouse	Characteristics	Approval-Number
UL 	600 V, 35 A	E 63093
CSA 	600 V, 35 A	48932

In general approvals refer to representative versions of the connector series. Extent and specification of tests upon request.

heavy|mate® HSE Characteristics contact inserts

General Characteristics	Standard	Value
Number of contacts		6 + ⊕
Termination technique		screw
Wire gauge		0.5 - 6.0 mm ² (Ø 3.4 mm)
Flammability	UL 94	V-0
Electrical Characteristics		
Rated voltage	IEC 60664-1	400 V (600 V UL / CSA ¹⁾)
Pollution degree	IEC 60664-1	3
Installation (overvoltage) category	IEC 60664-1	III
Material group	IEC 60664-1	II
Rated impulse withstand voltage	IEC 60664-1	6 kV
Rated current	IEC 60512-5-2	see derating curves
Rated current T _{amp} = 40 °C		42 A
Contact resistance	IEC 60512-2-1	≤ 1 mΩ
Insulation resistance	IEC 60512-3-1	≥ 10 ¹⁰ Ω
Climatical Characteristics		
Climatic category	IEC 60068-1	40 / 125 / 21
Upper temperature	IEC 60512-11-9	+ 125 °C
Lower temperature	IEC 60512-11-10	- 40 °C
Mechanical Characteristics		
IP-degree of protection pin insert	IEC 60529	unmated IP00 mated IP20
IP-degree of protection socket insert	IEC 60529	unmated IP20 mated IP20
Weight pin insert		80 g
Weight socket insert		80 g
Mechanical operation	IEC 60512-9-1	≥ 500 mating cycles
Materials		
Insert		PA, GV
Colour insert		black
Contacts		Cu Zn (brass)
Contact plating		Ag (silver)

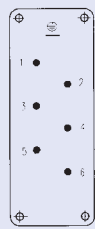
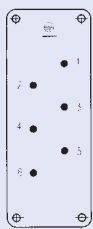
Description	Part Number	Drawing	Figure
Contact insert 6 + ⊕			
Male insert with wire protection for screw termination	C146 10A006 102 5		
Female insert with wire protection for screw termination	C146 10B006 102 5		

Pin layout

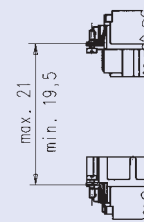
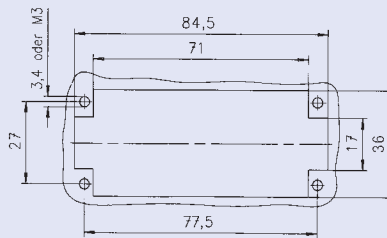
Assembly instruction

Male insert

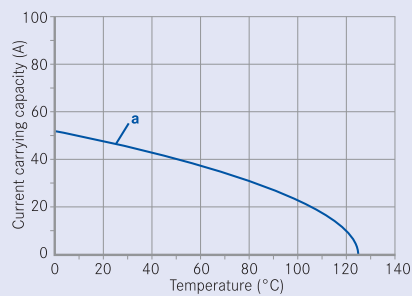
Female insert



Panel cut out (insert)



Derating curves

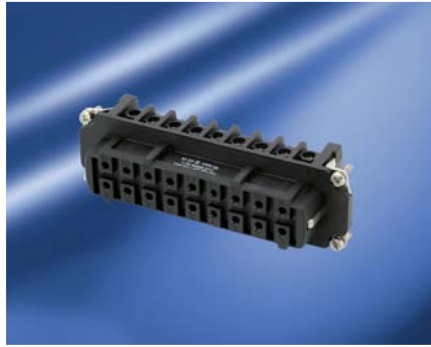




Curve a: 6 mm² screw contact



heavy | mate[®] HvE

- Rated voltage 660 V
- Rated current 16 A ... 22 A
- Termination: screw
- 2 delayed mating contacts
- Number of contacts: 3, 6, 10, 16, 20, 26, 32



Approvals, Testhouse	Characteristics	Approval-Number
UL 	600 V, 16 A	E 63093
CSA 	600 V, 16 A	48932

In general approvals refer to representative versions of the connector series. Extent and specification of tests upon request.

Construction of connectors Type HVE

The connectors of series heavy|mate® HVE are based on series heavy|mate® E with the following deviations:

Inserts

The HVE-inserts with 3, 6 and 10 contacts are basically the same as the 10, 16 and 24-contacts inserts of series heavy|mate® E. However they are only partly loaded with contacts and have two delayed mating pilot duty contacts.

Only type 16 HVE has special inserts with a different contact arrangement. The mounting dimensions are however identical with the 24 contacts version of heavy|mate® E.

The delayed mating contacts are intended for switching a relay coil for electrically locking in order to have unloaded socket contacts in an unmated condition.

If connectors without breaking capacity are used as connectors with breaking capacity the electrical power data must be reduced in accordance with the manufacturer's specification. These specifications are available from the manufacturer.

heavy|mate® E inserts with pin contacts are not intermatable with heavy|mate® HVE inserts with socket contacts due to

- two empty contact holes are closed at 3, 6 and 10 contact inserts.
- the 16 contacts HVE insert has a different contact arrangement.

Housings: (made of aluminium)

heavy|mate® E housings with an inside insulation (plastic foil) are used for the 16-contacts insert.

The inside barriers at the narrow sides preventing mounting of 660 V-inserts in 400 V housings are removed and the 16-contacts insert is now mountable.

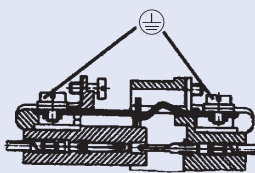
No standard for this series, but:

Intermateable and exchangeable with other makes

- Contact insert to contact insert
- Contact insert to housing 6, 10, 16, 24 pin

Housings are designed according to
DIN EN 175 301-801

First-to-mate last-to-break protective ground contact

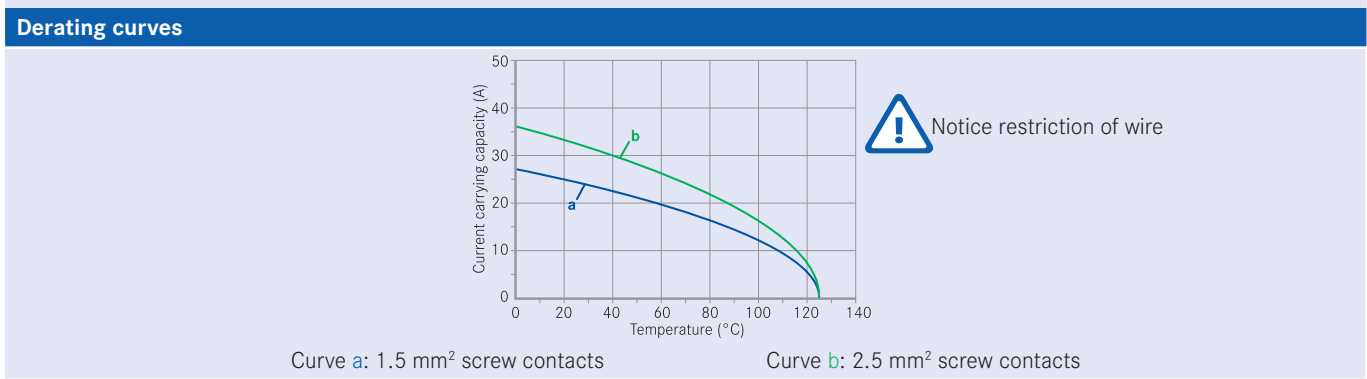


heavy|mate® HVE Characteristics contact inserts

General Characteristics	Standard	Value							
Number of contacts		3	6	10	16	20	26 ³⁾	32	
Termination technique		screw							
Wire gauge		0.25 - 2.5 mm ²							
Flammability	UL 94	V-0							
Electrical Characteristics									
Rated voltage	IEC 60664-1	660 V ¹⁾ (600 V UL / CSA ²⁾)							
Pollution degree	IEC 60664-1	3							
Installation (overvoltage) category	IEC 60664-1	III							
Material group	IEC 60664-1	III a			II		IIIa	³⁾	II
Rated impulse withstand voltage	IEC 60664-1	8 kV							
Current carrying capacity	IEC 60512-5-2	see derating curves							
Contact resistance	IEC 60512-2-1	≤ 5 m Ω							
Insulation resistance	IEC 60512-3-1	≥ 10 ¹⁰ Ω							
Climatical Characteristics									
Climatic category	IEC 60068-1	40/125/21							
Upper temperature	IEC 60512-11-9	+ 125 °C							
Lower temperature	IEC 60512-11-10	- 40 °C							
Mechanical Characteristics									
IP-degree of protection pin insert ⁴⁾	IEC 60529	unmated IP00				mated IP20			
IP-degree of protection socket insert ⁴⁾	IEC 60529	unmated IP20				mated IP20			
Weight pin insert		49 g	63 g	81 g	107 g	162 g	189 g	214 g	
Weight socket insert		49 g	63 g	81 g	107 g	162 g	189 g	214 g	
Mechanical operation	IEC 60512-9-1	≥ 500 mating cycles							
Materials									
Insert		PC, GV			PA, GV	PC, GV	³⁾	PA, GV	
Colour insert		grey			black	grey	³⁾	black	
Contacts		Cu Zn (brass)							
Contact plating		Ag (silver)							

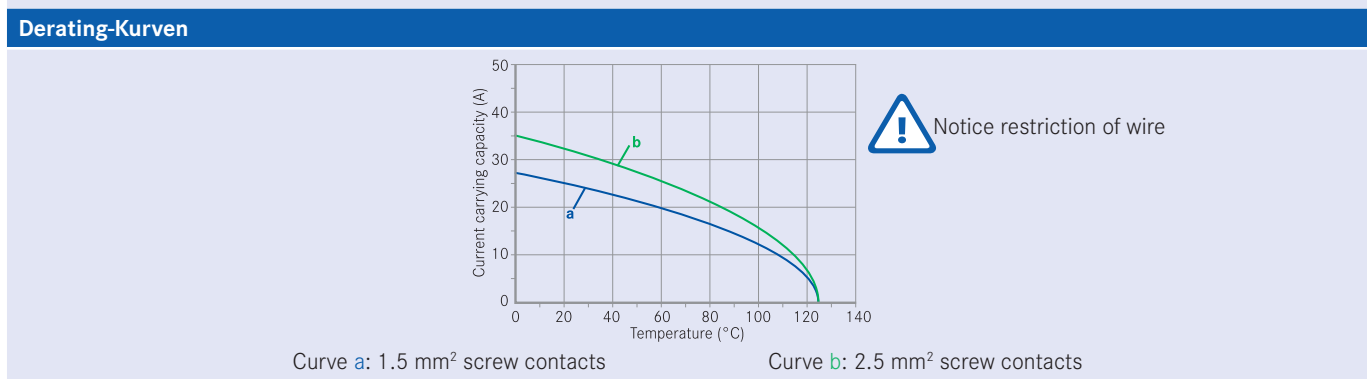
Description	Part Number	Drawing	Figure
Contact insert 3 + ⊕ + 2 (delayed mating contacts)			
Male insert with wire protection for screw termination	C146 10A003 102 3		
Female insert with wire protection for screw termination	C146 10B003 102 3		

Pin layout	Assembly instruction
<p>Male insert</p> <p>Female insert</p> <ul style="list-style-type: none"> ● Working contact ○ Mating contact ○ Without contact 	<p>Panel cut out (insert)</p>



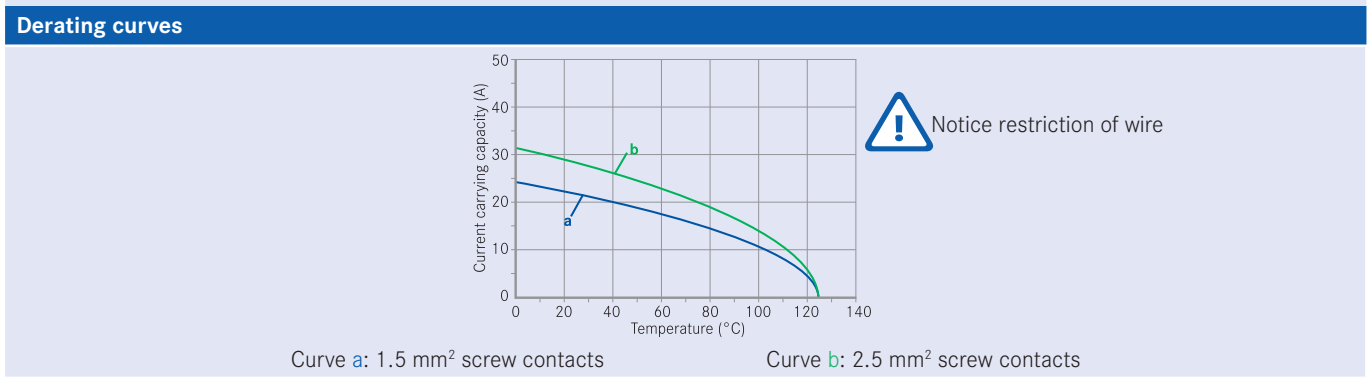
Description	Part Number	Drawing	Figure
Contact insert 6 + ⊕ + 2 (delayed mating contacts)			
Male insert with wire protection for screw termination	C146 10A006 102 3		
Female insert with wire protection for screw termination	C146 10B006 102 3		

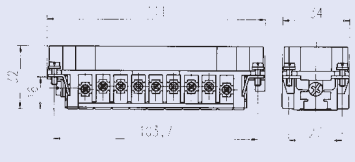

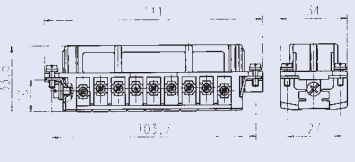

Pin layout	Assembly instruction
<p>Male insert</p> <p>Female insert</p> <ul style="list-style-type: none"> ● Working contact ⊕ Mating contact ○ Without contact 	<p>Panel cut out (insert)</p>



Description	Part Number	Drawing	Figure
Contact insert 10 + ⊕ + 2 (delayed mating contacts)			
Male insert with wire protection for screw termination	C146 10A010 102 3		
Female insert with wire protection for screw termination	C146 10B010 102 3		

Pin layout	Assembly instruction
<p>Male insert</p> <p>Female insert</p> <ul style="list-style-type: none"> ● Working contact ⊕ Mating contact ○ Without contact 	<p>Panel cut out (insert)</p>

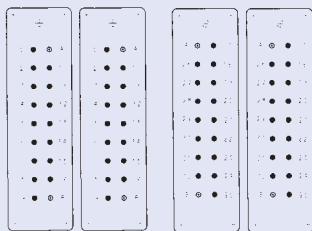


Description	Part Number	Drawing	Figure
Contact insert 32 + ⊕ + 4 (delayed mating contacts)			
Male insert with wire protection for screw termination	C146 10A016 102 3		
Female insert with wire protection for screw termination	C146 10B016 102 3		

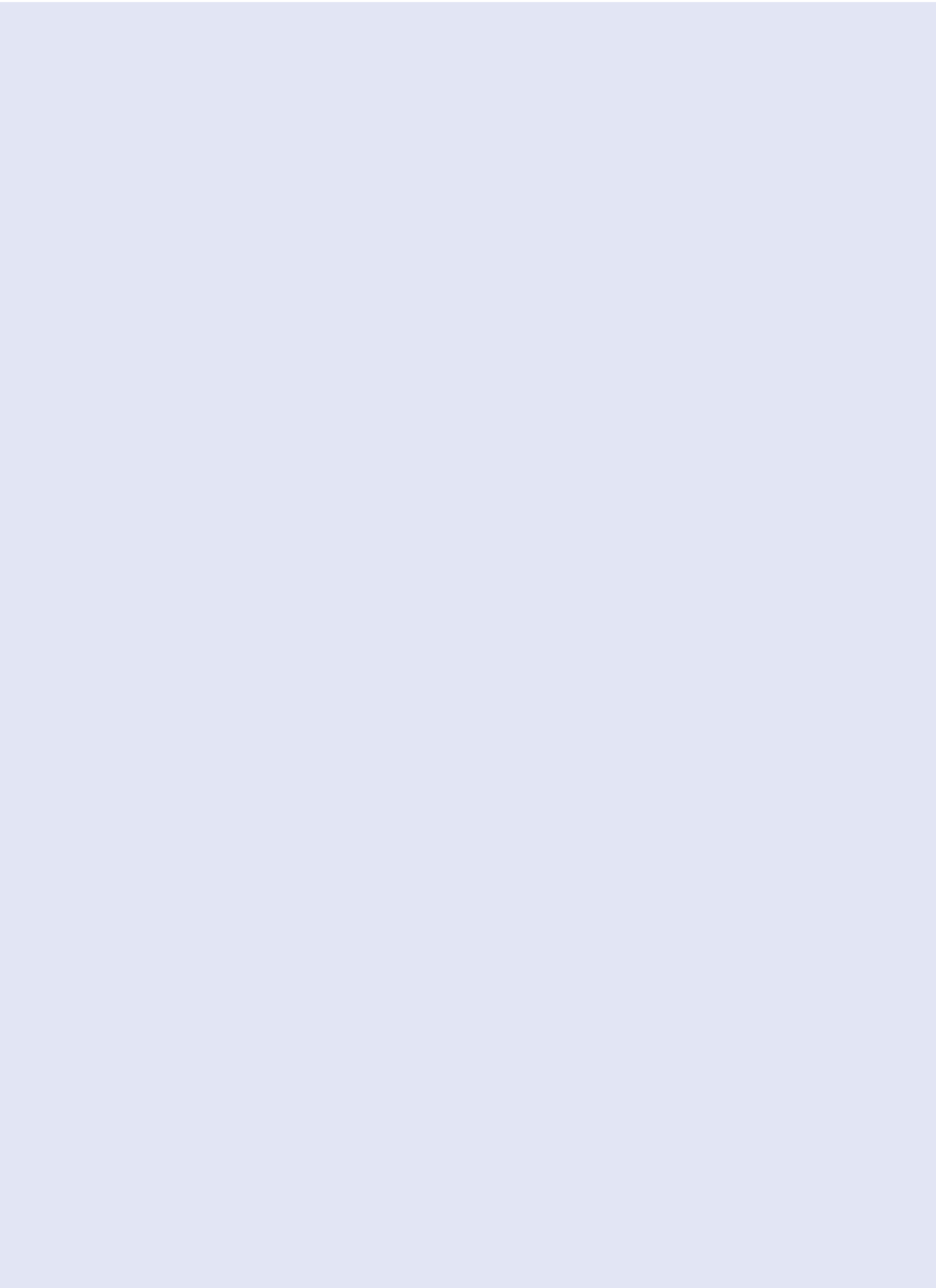
Pin layout

Male insert

Female insert



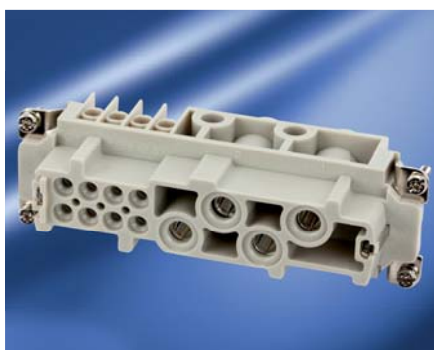
● Working contact
○ Mating contact







heavy | mate[®] K

- Power + signal as mixed arrangement
- Rated voltage up to 830 V
- Termination: screw, crimp

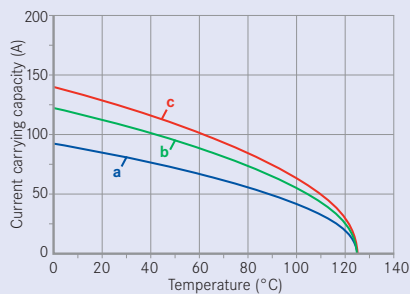


Approvals, Testhouse	Characteristics	Approval-Number
UL 	In preparation	In preparation
CSA 	In preparation	In preparation

heavy|mate® K Characteristics contact inserts 4/0 + 4 / 2

General Characteristics	Standard	Value
Number of contacts		4 / 0 (4 Power) 4 / 2 + PE (4 Power + 2 Signal)
Termination technique		screw
Wire gauge		1.5 - 16 mm ² (AWG 16-6)
Flammability	UL94	V-0
Electrical Characteristics		
Rated voltage	IEC 60664-1	830 V/400 V
Pollution degree	IEC 60664-1	3
Installation (overvoltage) category	IEC 60664-1	3
Material group	IEC 60664-1	3b
Rated impulse withstand voltage	IEC 60664-1	8.0 kV
Current carrying capacity	IEC 60512-5-2	see derating curves
Contact resistance	IEC 60512-2-1	≤ 5 mΩ
Insulation resistance	IEC 60512-3-1	≥ 10 ¹⁰ Ω
Climatical Characteristics		
Climatic category	IEC 60068-1	40/125/21
Upper temperature	IEC 60512-11-9	+125°C
Lower temperature	IEC 60512-11-10	-40°C
Mechanical Characteristics		
Mechanical operation	IEC 60512-9-1	≥500 mating cycles
Materials		
Insert		PC
Colour insert		grey
Contacts		Cu-alloy
Contact plating		Ag (silver)

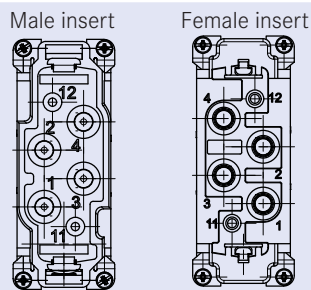
Derating Curves



Curve	Wire gauge
a	10 mm ²
b	16 mm ²
c	Single contacts with 16 mm ²

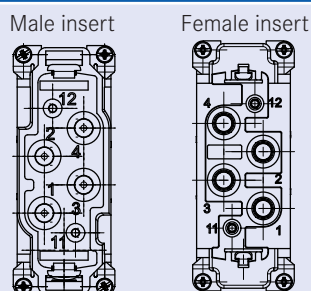
Description	Part Number	Drawing	Figure
Contact insert 4/0			
Male insert	C146 10A004 100 13		
Female insert	C146 10B004 100 13		

Pin layout



Description	Part Number	Drawing	Figure
Contact insert 4+2+PE			
Male insert	C146 10A006 100 13		
Female insert	C146 10B006 100 13		

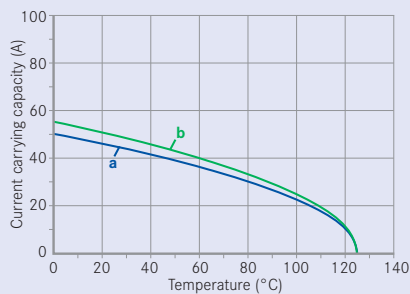
Pin layout



heavy|mate® K Characteristics contact inserts 6 / 36 + PE

General Characteristics	Standard	Value
Number of contacts		6/36 + PE
Termination technique		crimp
Wire gauge		1.5 – 6.0mm ² (AWG 16-10) 0.14 – 2.5mm ² (AWG 26-14)
Flammability	UL94	V-0
Electrical Characteristics		
Rated voltage	IEC 60664-1	690 / 160V
Pollution degree	IEC 60664-1	3
Installation (overvoltage) category	IEC 60664-1	3
Material group	IEC 60664-1	3b
Rated impulse withstand voltage	IEC 60664-1	8.0 / 2.5 kV
Current carrying capacity	IEC 60512-5-2	see derating curves
Contact resistance	IEC 60512-2-1	≤ 5 mΩ
Insulation resistance	IEC 60512-3-1	≥ 10 ¹⁰ Ω
Climatical Characteristics		
Climatic category	IEC 60068-1	40 / 125 / 21
Upper temperature	IEC 60512-11-9	125°C
Lower temperature	IEC 60512-11-10	-40°C
Mechanical Characteristics		
Mechanical operation	IEC 60512-9-1	≥500 mating cycles
Materials		
Insert		PC
Colour insert		grey
Contacts		Cu-alloy
Contact plating		Ag (silver) / Au (gold)

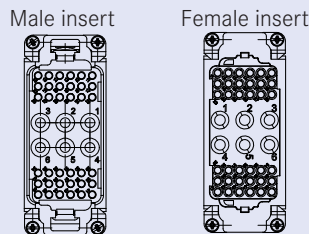
Derating Curves



Curve	Wire gauge
a	16 mm ² with signal-contacts 1.5 mm ²
b	6 mm ²

Description	Part Number	Drawing	Figure
Contact insert 6 / 36 + PE (Please order contacts separately)			
Male insert	C146 10A042 500 13		
Female insert	C146 10B042 500 13		

Pin layout



Supplied as	for wire gauge	AWG	Pieces	Part Number		Figure
				Male contact	Female contact	
Turned 4 mm crimp contacts single contact						
silver plating	1.5 mm ²	16	100	VN01 040 0010 1C	VN02 040 0010 1C	
	2.5 mm ²	14	100	VN01 040 0011 1C	VN02 040 0011 1C	
	4 mm ²	12	100	VN01 040 0012 1C	VN02 040 0012 1C	
	6 mm ²	10	100	VN01 040 0013 1C	VN02 040 0013 1C	
Turned 1.6 mm crimp contacts single contact						
silver plating	0.14 - 0.37 mm ²	26-22	100	VN01 016 0024 1C	VN02 016 0024 1C	
	0.5 mm ²	20	100	VN01 016 0025 1C	VN02 016 0025 1C	
	0.75 - 1.0 mm ²	20-16	100	VN01 016 0026 1C	VN02 016 0026 1C	
	1.5 mm ²	16-15	100	VN01 016 0027 1C	VN02 016 0027 1C	
	2.5 mm ²	14	100	VN01 016 0028 1C	VN02 016 0028 1C	

Tools for 4 mm² turned contacts

Description	for wire gauge	Part Number		
		Contact locator	Calibration pin	Tool
Removal tool for contacts		TB 0000 146 0008	TP 0000 146 1400	FG 0300 146 5000
4-indent crimping tool ¹⁾				TB 0700 146

Tools for 1.6 mm² turned contacts

Description	for wire gauge	Contact locator	Crimping dies	Tool
Removal tool for contacts				FG 0300 146 1
Service crimping tool	0.14 - 0.5 mm ² 0.5 - 1.5 mm ²			TA 0100 146
Crimping tool for single contacts	0.14 - 1.0 mm ² 1.5 mm ²	TA 0010 146 000 1	TA 0000 184	TA 0000 TA 0500

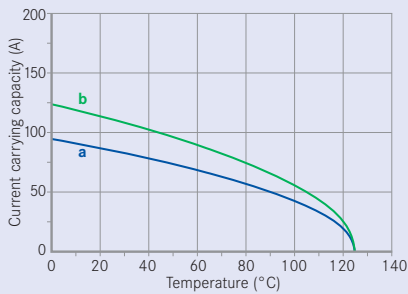
Further tools see catalogue "Tools"

¹⁾ Incl. calibration pin set, locator

heavy|mate® K Characteristics contact inserts 4 / 8 + PE

General Characteristics	Standard	Value
Number of contacts		4/8 + PE
Termination technique		schrauben
Wire gauge		1.5 - 16mm ² (AWG 16-6)
Flammability	UL94	V-0
Electrical Characteristics		
Rated voltage	IEC 60664-1	400V / 400V
Pollution degree	IEC 60664-1	3
Installation (overvoltage) category	IEC 60664-1	3
Material group	IEC 60664-1	3b
Rated impulse withstand voltage	IEC 60664-1	8,0 kV
Current carrying capacity	IEC 60512-5-2	see derating curves
Contact resistance	IEC 60512-2-1	≤ 5 mΩ
Insulation resistance	IEC 60512-3-1	≥ 10 ¹² Ω
Climatical Characteristics		
Climatic category	IEC 60068-1	40 / 125 / 21
Upper temperature	IEC 60512-11-9	125°C
Lower temperature	IEC 60512-11-10	-40°C
Mechanical Characteristics		
Mechanical operation	IEC 60512-9-1	≥500 mating cycles
Materials		
Insert		PC
Colour insert		grey
Contacts		Cu-alloy
Contact plating		Ag (silver)

Derating Curves



Curve	Wire gauge
a	10 mm ²
b	16 mm ²

Description	Part Number	Drawing	Figure
Contact insert 4/8 + PE			
Male insert	C146 10A012 100 13		
Female insert	C146 10B012 100 13		

Pin layout





<p>Male insert</p>	<p>Female insert</p>
--------------------	----------------------



heavy | mate[®] M

- Modular connector
- More module slots than heavy | mate[®] F and market standard
- Rated voltage 63 - 1000 V
- Rated current 5 A ... 250 A
- Termination: crimp



Approvals, Testhouse	Characteristics	Approval-Number
VDE 	Characteristics see rated voltage and rated current of each module	56 79 ÜG
SEV 		
UL 		E 63093
CSA 		48932

In general approvals refer to representative versions of the connector series. Extent and specification of tests upon request.

heavy|mate® M General information

General information

- Modules inserts without crimp contacts, crimping tools see separate catalogue “Tools”.
- Contacts must be ordered separately, processing instructions see catalogue “Tools”.
- Connectors series heavy|mate® M may be engaged or disengaged when live but without electrical load.
If these connectors are mated or unmated under load, the load shall be reduced to 10 % of rated current.
- We recommend using the high profile housings / hoods for the heavy|mate® M inserts.
- Empty modul spaces have to be filled with blind modules.
- Torque for PE connection 1.8 Nm

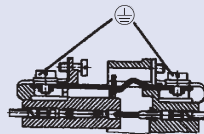


Advantages of the system

- High combination possibilities
- Possibility of inverse configuration
- Rated voltage up to 1000 V
- Low cost

First-to-mate last-to-break protective ground contact

Minimum wire size 0.5 mm²



Modules



Frames



Range of housings



Requirements

- 3 x 400V; 50A; 6mm² wire gauge
- 8 x 250V; 8A; 1.5mm² wire gauge
- 5 x 400V; 15A; 4mm² wire gauge

Solution

1. Check how 16 contacts can be realized; see modules overview on page 130

Possible selection:

- a) 1 x 20 contacts
- b) 2 x 10 contacts
- c) 1 x 10 contacts+ 2 x 5 contacts
- d) 1 x 3 contacts + 1 x 5 contacts + 1 x 10 contacts

2. Check technical parameters / solution, see detail pages of the modules on page 138

Possible selection:

- a) not possible due to voltage
- b) not possible due to voltage
- c) not possible due to current
- d) POSSIBLE

3. Choose matching contact, see detail page of the modules on page 138

Possible selection:

- a) 3 contacts = C146 A03 001 E8 → contacts = VN01 036 0002 1C
- b) 5 contacts = C146 A05 001 E8 → contacts = VN01 025 0033 1C
- c) 10 contacts = C146 A10 001 E8 → contacts = VN01 016 0027 1C

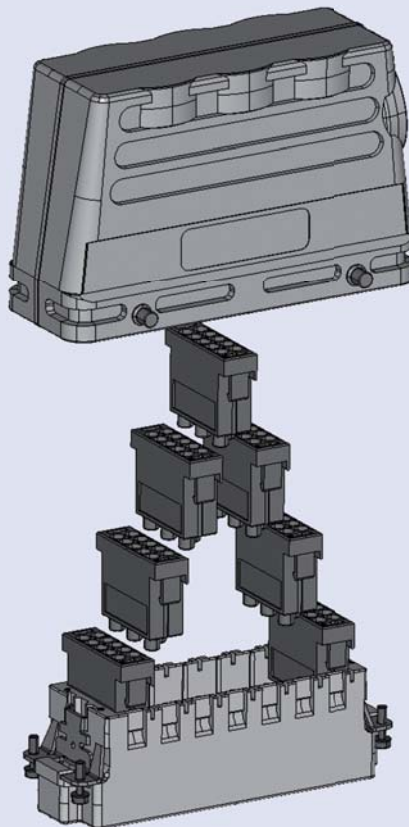
4. Choose matching frame, see frames on page 136

Solution: C146 P10 001 G8

5. Choose matching housing, see housings from page 184

Solution: C146 21R010 600 8

Schematic construction

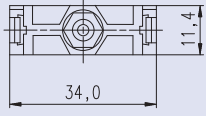
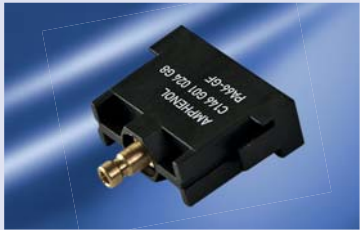
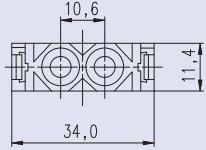

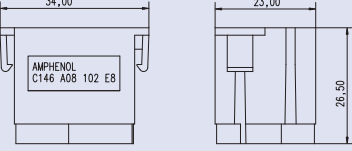

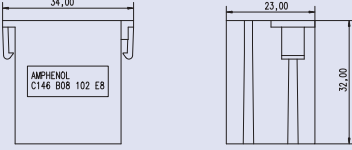



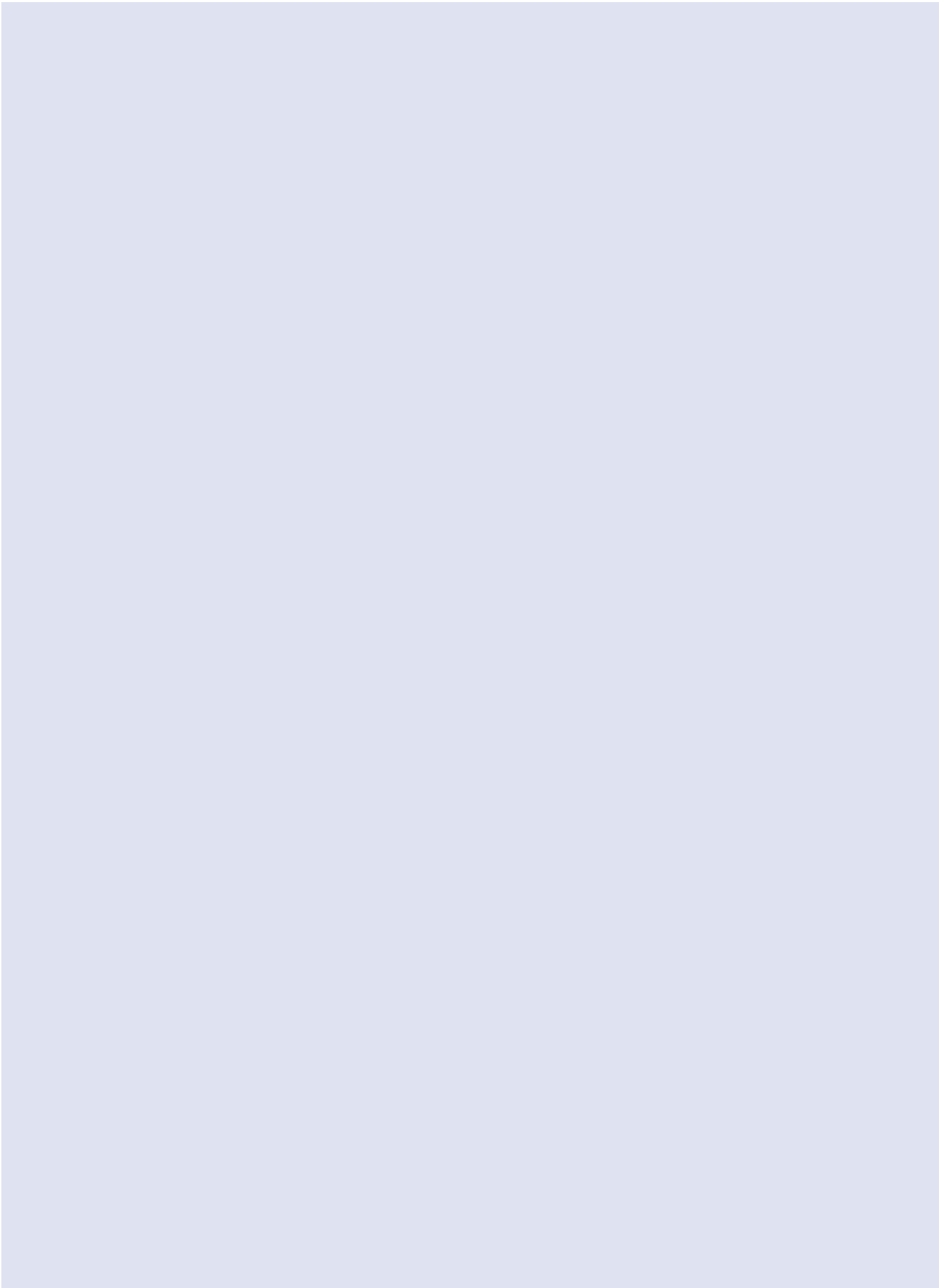
Description	Part Number	Drawing	Figure
1 contact, 1000 V, Details see page 138			
Pin Module	C146 A01 001 E8		
Socket Module	C146 B01 004 E8		
2 contacts for turned contacts, 1000 V, Details see page 140			
Pin Module	C146 A02 001 E8		
Socket Module	C146 B02 001 E8		
2 contacts Powermodule for turned contacts, 1000 V, Details see page 142			
Pin Module	C146 A02 801 E8		
Socket Module	C146 B02 801 E8		


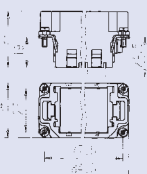
Description	Part Number	Drawing	Figure
3 contacts for turned contacts, 1000 V, Details see page 144			
Pin Module	C146 A03 801 E8		
Socket Module	C146 B03 801 E8		
3 contacts for turned contacts, 690 V, Details see page 146			
Pin Module	C146 A03 001 E8		
Socket Module	C146 B03 001 E8		
5 contacts for stamped contacts, 1000 V, Details see page 148			
Pin Module	C146 D04 001 E8 (4 pol) C146 D05 001 E8 (4 + PE) C146 D05 801 E8 (5 pol)		
Socket Module	C146 C04 001 E8 (4 pol) C146 C05 001 E8 (4 + PE) C146 C05 801 E8 (5 pol)		

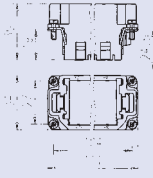

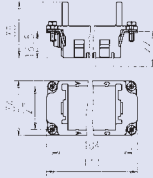

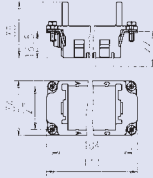

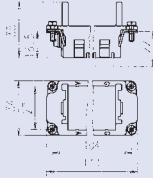

Description	Part Number	Drawing	Figure
5 contacts for turned contacts, 400 V, Details see page 150			
Pin Module	C146 A05 001 E8		
Socket Module	C146 B05 001 E8		
10 contacts for stamped contacts, 400 V, Details see page 152			
Pin Module	C146 D10 001 E8		
Socket Module	C146 C10 001 G8		
10 contacts for turned contacts, 400 V, Details see page 154			
Pin Module	C146 A10 001 E8		
Socket Module	C146 B10 001 E8		

Description	Part Number	Drawing	Figure
20 contacts for stamped contacts, 100 V, Details see page 156			
Pin Module	C146 A20 001 G8		
Socket Module	C146 B20 001 G8		
3 contacts for coax contacts , Details see page 158			
Pin Module	C146 A03 501 E8		
Socket Module	C146 B03 501 E8		
RJ module, 400 V, Details see page 160			
Pin Module	C146 E12 001 E8		
Socket Module	C146 F12 001 G8		

Description	Part Number	Drawing	Figure
Pneumatic module, 1 or 2 connections, Details see page 162			
Pin Module	C146 G01 014 G8 (2.5 mm) C146 G01 024 G8 (4.0 mm) C146 G02 014 G8 (2.5 mm) C146 G02 024 G8 (4.0 mm)		
Socket Module	C146 H01 034 G8 (2.5 mm) C146 H01 044 G8 (4.0 mm) C146 H02 034 G8 (2.5 mm) C146 H02 044 G8 (4.0 mm)		
Shielded module 2x4 contacts for bus signals, 50 V, Details see page 164			
Pin Module	C146 A08 102 E8 C146 A05 100 G8		
Socket Module	C146 B08 102 E8 C146 B05 100 G8		



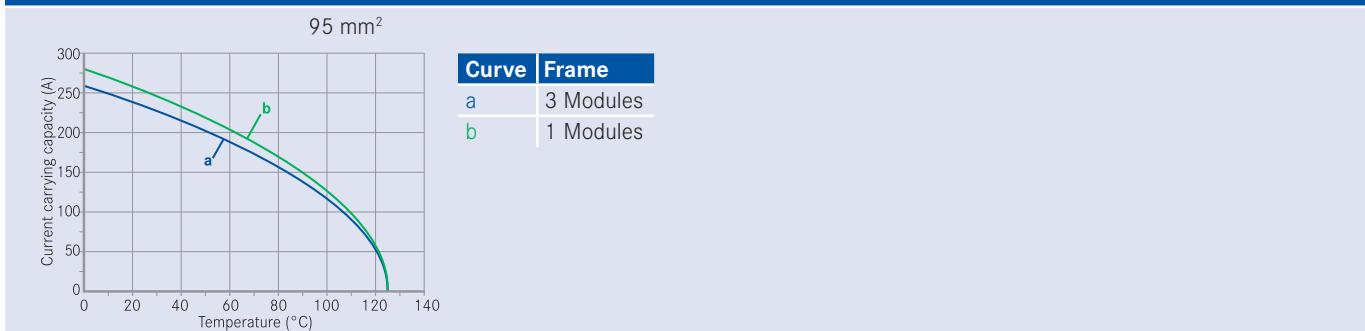
Description	Part Number	Drawing	Figure
Frame for 2 modules Size E6 Housings from page 196			
Frame for pin modules	C146 P06 001 G8 C146 P06 002 G8 (2 x PE)		
Frame for socket modules	C146 S06 001 G8 C146 S06 002 G8 (2 x PE)		
Frame for 3 modules Size E10 Housings from page 198			
Frame for pin modules	C146 P10 001 G8 C146 P10 002 G8 (2 x PE)		
Frame for socket modules	C146 S10 001 G8 C146 S10 002 G8 (2 x PE)		
Frame for 5 modules Size E16 Housings from page 205			
Frame for pin modules	C146 P16 001 G8 C146 P16 002 G8 (2 x PE)		
Frame for socket modules	C146 S16 001 G8 C146 S16 002 G8 (2 x PE)		

Description	Part Number	Drawing	Figure
Frame for 7 modules Size E24 Housings from page 211			
Frame for pin modules Positions A-G	C146 P24 001 G8 C146 P24 002 G8 (2 x PE)		
Frame for pin modules Positions T-Z	C146 P24 101 G8 C146 P24 102 G8 (2 x PE)		
Frame for socket modules Positions A-G	C146 S24 001 G8 C146 S24 002 G8 (2 x PE)		
Frame for socket modules Positions T-Z	C146 S24 101 G8 C146 S24 102 G8 (2 x PE)		

heavy|mate® M Characteristics 1 contact module

General Characteristics	Standard	Value
Number of contacts		1
Termination technique		crimp
Wire gauge		50 / 70 / 95 mm ² (AWG 1/00/000)
Flammability	UL94	V-0
Electrical Characteristics		
Rated voltage	IEC 60664-1	1000 V
Pollution degree	IEC 60664-1	3
Installation (overvoltage) category	IEC 60664-1	3
Material group	IEC 60664-1	2
Rated impulse withstand voltage	IEC 60664-1	8.0 kV
Current carrying capacity	IEC 60512-5-2	see derating curves
Contact resistance	IEC 60512-2-1	≤ 1 mΩ
Insulation resistance	IEC 60512-3-1	≥ 10 ¹⁰ Ω
Climatical Characteristics		
Climatic category	IEC 60068-1	40 / 125 / 21
Upper temperature	IEC 60512-11-9	125°C
Lower temperature	IEC 60512-11-10	-40°C
Mechanical Characteristics		
IP-degree of protection	IEC 60529	20
Mechanical operation	IEC 60512-9-1	≥ 500 mating cycles
Materials		
Module		PA 6.6 GF
Colour module		black
Contacts		Cu-alloy
Contact plating		Ag (silver)

Derating Curves



General requirements

- Due to reduced cross sections at PE contacts of frames, the PE contact has to be additionally protected against short circuits by using a protection circuit offering a sufficiently short breaking time (<0.25s).
- Parts to be used as connectors, not as plug devices (connector with breaking capacity). Do not mate under current or voltage!

heavy|mate® M 1 contact module + crimp contacts

Description	Part Number	Drawing	Figure
1 contact module (Please order contacts separately)			
Pin module	C146 A01 001 E8		
Socket module	C146 B01 004 E8		

Supplied as	for wire gauge	AWG	Pieces	Part Number		Figure
				Male contact	Female contact	
Turned 10 mm crimp contacts						
Single contact	50 mm ²	1	1	N01 100 6001 001	N02 100 6121 002	
	70 mm ²	00	1	N01 100 6002 001	N02 100 6122 002	
	95 mm ²	000	1	N01 100 6003 001	N02 100 6123 002	

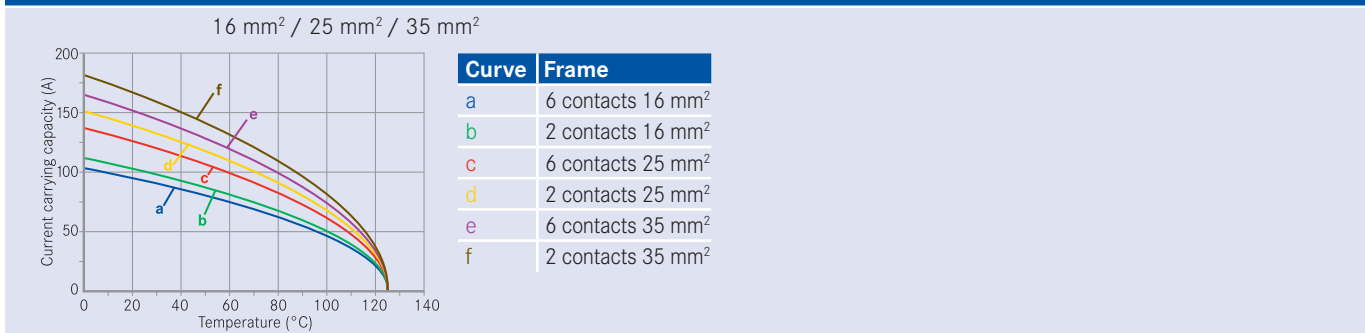
Tools					
Description	for wire gauge	Part Number			
		Contact locator	Crimping dies	Tool	
Crimping dies	50 mm ²		TE 0500 103		
	70 mm ²		TE 0500 201		
	95 mm ²		TE 0500 301		

For use in pneumatic crimping tool EK12042 by Klauke or AHPW 400C by Neko .
Further tools see catalogue "Tools"

heavy|mate® M Characteristics 2 contacts Radsok module for turned contacts

General Characteristics	Standard	Value
Number of contacts		2
Termination technique		crimp
Wire gauge		16 / 25 / 35 mm ² (AWG 6/4/2)
Flammability	UL94	V-0
Electrical Characteristics		
Rated voltage	IEC 60664-1	1000 V
Pollution degree	IEC 60664-1	3
Installation (overvoltage) category	IEC 60664-1	3
Material group	IEC 60664-1	2
Rated impulse withstand voltage	IEC 60664-1	8.0 kV
Current carrying capacity	IEC 60512-5-2	see derating curves
Contact resistance	IEC 60512-2-1	≤ 1 mΩ
Insulation resistance	IEC 60512-3-1	≥ 10 ¹⁰ Ω
Climatical Characteristics		
Climatic category	IEC 60068-1	40 / 125 / 21
Upper temperature	IEC 60512-11-9	125°C
Lower temperature	IEC 60512-11-10	-40°C
Mechanical Characteristics		
IP-degree of protection	IEC 60529	20
Mechanical operation	IEC 60512-9-1	≥ 500 mating cycles
Materials		
Module		PA 6.6 GF
Colour module		black
Contacts		Cu-alloy
Contact plating		Ag (silver)

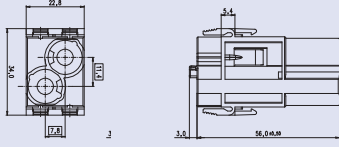

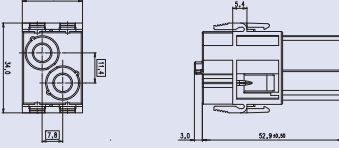

Derating Curves





General requirements

- Due to reduced cross sections at PE contacts of frames, the PE contact has to be additionally protected against short circuits by using a protection circuit offering a sufficiently short breaking time (<0.25s).
- Parts to be used as connectors, not as plug devices (connector with breaking capacity). Do not mate under current or voltage!

heavy|mate® M 2 contacts Radsok module + crimp contacts

Description	Part Number	Drawing	Figure
2 contacts module for turned contacts (Please order contacts separately)			
Pin module	C146 A02 001 E8		
Socket module	C146 B02 001 E8		

Supplied as	for wire gauge	AWG	Pieces	Part Number		Figure
				Male contact	Female contact	
Turned 6 mm crimp contacts						
Single contact	16 mm ²	6	1	N01 060 0007 1	N02 060 6117 001	
	25 mm ²	4		N01 060 0004 1	N02 060 6114 001	
	35 mm ²	2		N01 060 0008 1	N02 060 6118 001	
Cable lug for earth connection						
Single contact	16 mm ²	6	1	N15 043 0003 003		

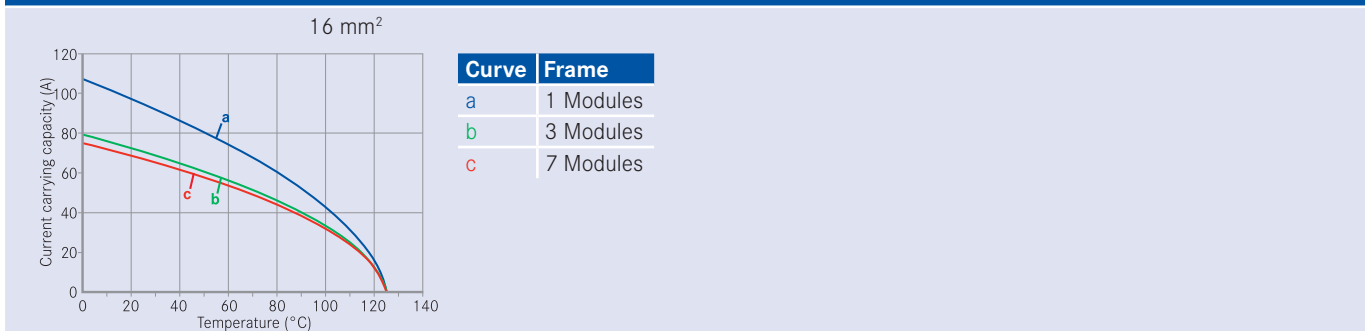
Tools				
Description	for wire gauge	Part Number		
		Contact locator	Crimping dies	Tool
Crimping dies	16 mm ²	-	TE 0600 062	-
	25 mm ²	-	TE 0600 042	-
	35 mm ²	-	TE 0600 022	-

For use in pneumatic crimping tool EK12042 by Klauke or AHPW 400C by Neko .
Further tools see catalogue "Tools"

heavy|mate® M Characteristics 2 contacts Powermodule

General Characteristics	Standard	Value
Number of contacts		2
Termination technique		crimp
Wire gauge		16 mm ² (AWG 6)
Flammability	UL94	V-0
Electrical Characteristics		
Rated voltage	IEC 60664-1	1000 V
Pollution degree	IEC 60664-1	3
Installation (overvoltage) category	IEC 60664-1	3
Material group	IEC 60664-1	2
Rated impulse withstand voltage	IEC 60664-1	8.0 kV
Current carrying capacity	IEC 60512-5-2	see derating curves
Contact resistance	IEC 60512-2-1	≤ 1 mΩ
Insulation resistance	IEC 60512-3-1	≥ 10 ¹⁰ Ω
Climatical Characteristics		
Climatic category	IEC 60068-1	40 / 125 / 21
Upper temperature	IEC 60512-11-9	125°C
Lower temperature	IEC 60512-11-10	-40°C
Mechanical Characteristics		
IP-degree of protection	IEC 60512-9-1	≥ 500 Steckzyklen
Mechanical operation	IEC 60529	20
Materials		
Module		PA 6.6 GF
Colour module		black
Contacts		Cu-alloy
Contact plating		Ag (silver)

Derating Curves



General requirements

- Due to reduced cross sections at PE contacts of frames, the PE contact has to be additionally protected against short circuits by using a protection circuit offering a sufficiently short breaking time (<0.25s).
- Parts to be used as connectors, not as plug devices (connector with breaking capacity). Do not mate under current or voltage!

heavy|mate® M 2 contacts Powermodule + crimp contacts

Description	Part Number	Drawing	Figure
2 contacts module (Please order contacts separately)			
Pin module	C146 A02 801 E8		
Socket module	C146 B02 801 E8		

Supplied as	for wire gauge	AWG	Pieces	Part Number		Figure
				Male contact	Female contact	
Turned 3.6 mm crimp contacts						
Single contact	16 mm ²	6	100	VN01 036 0021 1C	VN02 036 0021 1C	
Cable lug for earth connection						
Single contact	16 mm ²	6	1	N 15 043 0003 003		

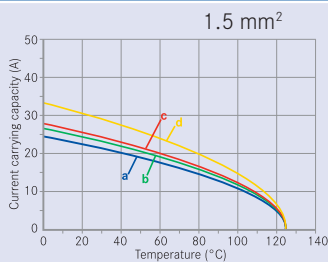
Tools				
Description	for wire gauge	Part Number		
		Contact locator	Crimping dies	Tool
Crimping dies	16 mm ²	-	-	TE 0600 063 ¹⁾
Removal tool for contacts		-	-	FG 0300 146 3
Removal tool for modules		-	-	FG 1000 146

For use in pneumatic crimping tool EK12042 by Klauke or AHPW 400C by Neko .
Further tools see catalogue "Tools"

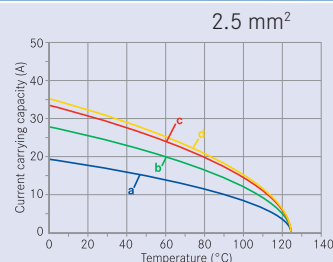
heavy|mate® M Characteristics 3 contacts module

General Characteristics	Standard	Value
Number of contacts		3
Termination technique		crimp
Wire gauge		1.5 - 10 mm ² (AWG 16 - 8)
Flammability	UL 94	V-0
Electrical Characteristics		
Rated voltage	IEC 60664-1	1000 V ¹⁾
Pollution degree	IEC 60664-1	3
Installation (overvoltage) category	IEC 60664-1	III
Material group	IEC 60664-1	II
Rated impulse withstand voltage	IEC 60664-1	8.0 kV
Current carrying capacity	IEC 60512-5-2	see derating curves
Contact resistance	IEC 60512-2-1	≤ 1 mΩ
Insulation resistance	IEC 60512-3-1	≥ 10 ¹⁰ Ω
Climatical Characteristics		
Climatic category	IEC 60068-1	40 / 125 / 21
Upper temperature	IEC 60512-11-9	+ 125 °C
Lower temperature	IEC 60512-11-10	- 40 °C
Mechanical Characteristics		
IP-degree of protection	IEC 60529	20
Mechanical operation	IEC 60512-9-1	≥ 500 mating cycles
Materials		
Module		PA 6.6 GF
Colour module		black
Contacts		Cu-alloy
Contact plating		Ag (silver)

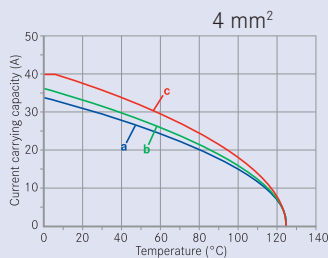
Derating Curves



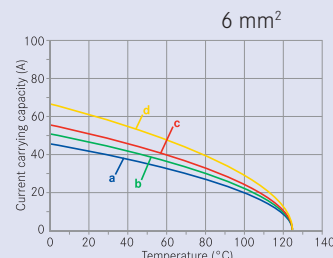
Curve	Frame
a	7 Modules
b	3 Modules
c	2 Modules
d	1 Modules



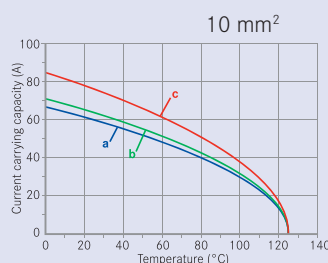
Curve	Frame
a	7 Modules
b	3 Modules
c	2 Modules
d	1 Modules



Curve	Frame
a	7 Modules
b	3 Modules
c	1 Modules

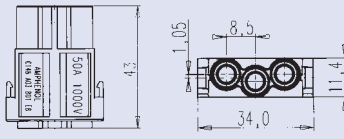

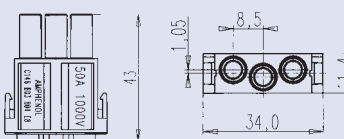




Curve	Frame
a	5-7 Modules
b	3 Modules
c	2 Modules
d	1 Modules



Curve	Frame
a	3-7 Modules
b	2 Modules
c	1 Modules

heavy|mate® M 3 contacts module + crimp contacts

Description	Part Number	Drawing	Figure
3 contacts module (Please order contacts separately)			
Pin module	C146 A03 801 E8		
Socket module	C146 B03 801 E8		

Supplied as	for wire gauge	AWG	Pieces	Part Number		Figure
				Male contact	Female contact	
Turned 3.6 mm crimp contacts (All contacts 2mm first-to-mate to other modules)						
	1.5 mm ²	16	100	VN01 036 0004 1C	VN02 036 0004 1C	
	2.5 mm ²	14	100	VN01 036 0005 1C	VN02 036 0005 1C	
	4.0 mm ²	12	100	VN01 036 0001 1C	VN02 036 0001 1C	
	6.0 mm ²	10	100	VN01 036 0002 1C ¹⁾	VN02 036 0002 1C ¹⁾	
	10.0 mm ²	8	100	VN01 036 0003 1C ¹⁾	VN02 036 0003 1C ¹⁾	

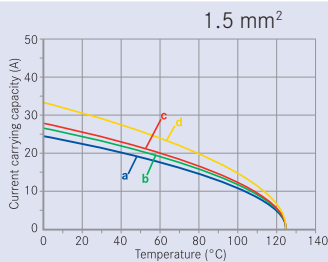
Tools

Description	for wire gauge	Part Number		
		Contact locator	Crimping dies	Tool
Removal tool for contacts	-	-	-	FG 0300 146 3
Removal tool for modules	-	-	-	FG 1000 146
Crimping tool for single contacts	1.5 - 2.5 mm ²	TA 0010 146 000 2	TA 0000 144	TA 0000
	4.0 mm ²	TA 0010 146 000 4	TA 0000 124	
	6.0 mm ²	TA 0010 146 000 4	TA 0000 124	
4-ondet crimping tool ²⁾	1.5 -10.0 mm ²	-	-	TB 0200 146
Crimping tool for cable lugs	6.0 mm ²	-	TA 0000 180	TA 0000
	10.0 mm ²	-		
Cable lugs for PE connection			Pieces	Part Number
Cable lug	6.0 mm ²	-	20	N15 006 000 9Z
	10.0 mm ²		20	N15 010 000 7Z
Further tools see catalogue "Tools"				

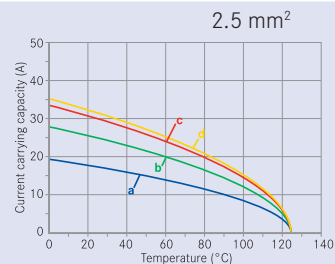
heavy|mate® M Characteristics 3 contacts module

General Characteristics	Standard	Value
Number of contacts		3
Termination technique		crimp
Wire gauge		1.5 - 10 mm ² (AWG 16 - 8)
Flammability	UL 94	V-0
Electrical Characteristics		
Rated voltage	IEC 60664-1	630 V
Pollution degree	IEC 60664-1	3
Installation (overvoltage) category	IEC 60664-1	III
Material group	IEC 60664-1	II (PA)
Rated impulse withstand voltage	IEC 60664-1	8.0 kV
Current carrying capacity	IEC 60512-5-2	see derating curves
Contact resistance	IEC 60512-2-1	≤ 1 mΩ
Insulation resistance	IEC 60512-3-1	≥ 10 ¹⁰ Ω
Climatical Characteristics		
Climatic category	IEC 60068-1	40 / 125 / 21
Upper temperature	IEC 60512-11-9	+ 125 °C
Lower temperature	IEC 60512-11-10	- 40 °C
Mechanical Characteristics		
Mechanical operation	IEC 60512-9-1	≥ 500 mating cycles
Materials		
Module		PA 6.6 GF
Colour module		black
Contacts		Cu-alloy
Contact plating		Ag (silver)

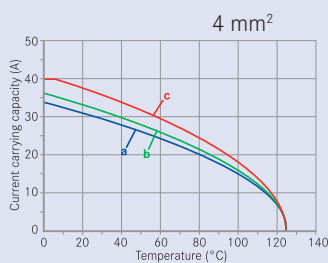
Derating Curves



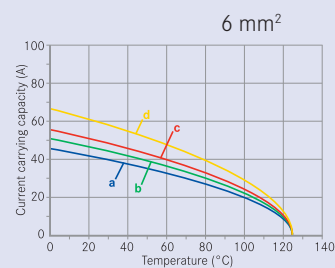
Curve	Frame
a	7 Modules
b	3 Modules
c	2 Modules
d	1 Modules



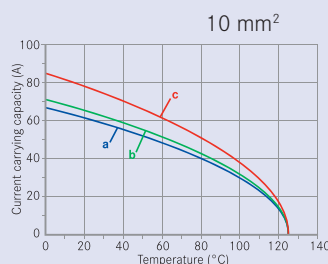
Curve	Frame
a	7 Modules
b	3 Modules
c	2 Modules
d	1 Modules



Curve	Frame
a	7 Modules
b	3 Modules
c	1 Modules

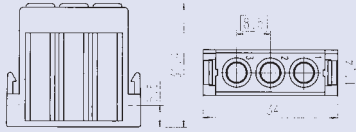

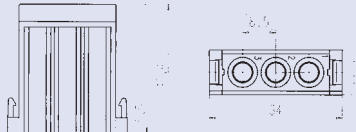




Curve	Frame
a	5-7 Modules
b	3 Modules
c	2 Modules
d	1 Modules



Curve	Frame
a	3-7 Modules
b	2 Modules
c	1 Modules

heavy|mate® M 3 contacts module + crimp contacts

Description	Part Number	Drawing	Figure
3 contacts module (Please order contacts separately)			
Pin module	C146 A03 001 E8		
Socket module	C146 B03 001 E8		

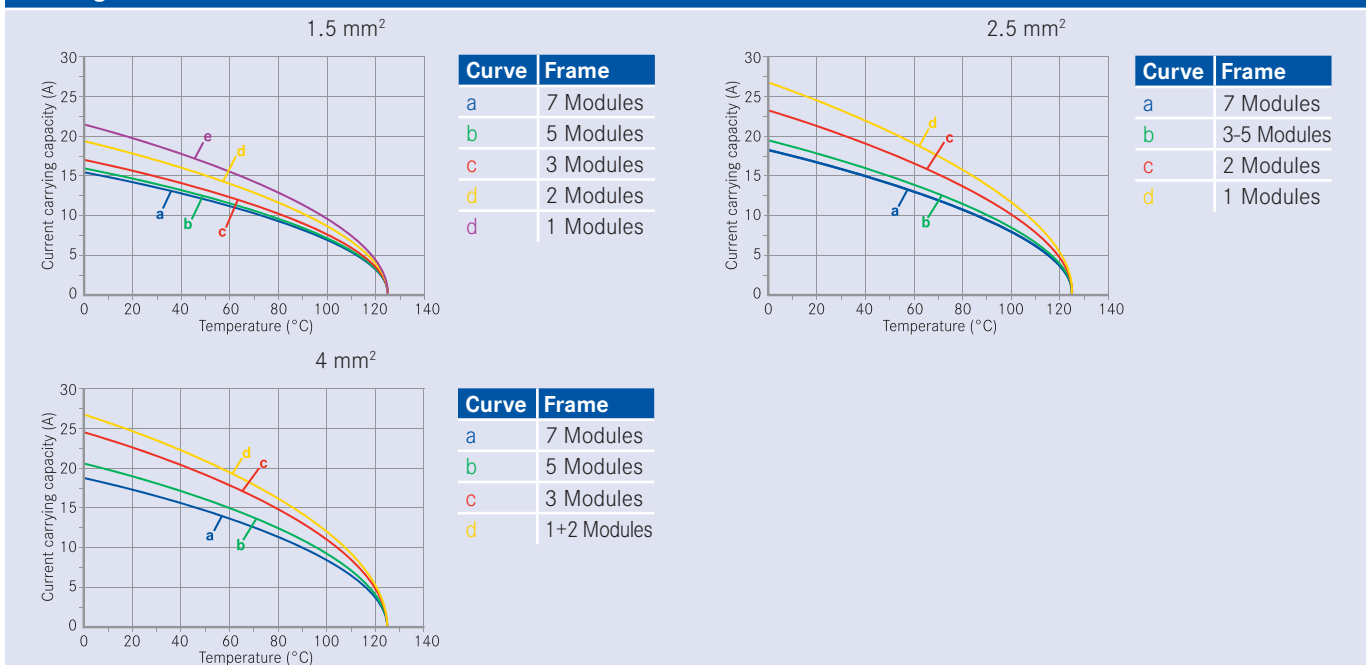
Supplied as	for wire gauge	AWG	Pieces	Part Number		Figure
				Male contact	Female contact	
Turned 3.6 mm crimp contacts single contact						
silver plating	1.5 mm ²	16	100	VN01 036 0004 1C	VN02 036 0004 1C	
	2.5 mm ²	14	100	VN01 036 0005 1C	VN02 036 0005 1C	
	4.0 mm ²	12	100	VN01 036 0001 1C	VN02 036 0001 1C	
	6.0 mm ²	10	100	VN01 036 0002 1C ¹⁾	VN02 036 0002 1C ¹⁾	
	10.0 mm ²	8	100	VN01 036 0003 1C ¹⁾	VN02 036 0003 1C ¹⁾	

Tools					
Description	for wire gauge	Part Number		Tool	
		Contact locator	Crimping dies		
Removal tool for contacts	-	-	-	FG 0300 146 3	
Removal tool for modules	-	-	-	FG 1000 146	
Crimping tool for single contacts	1.5 - 2.5 mm ²	TA 0010 146 000 5	TA 0000 144	TA 0000	
	4.0 mm ²	TA 0010 146 000 4	TA 0000 124		
	6.0 mm ²	TA 0010 146 000 4	TA 0000 124		
4-indent crimping tool ²⁾	1.5 -10.0 mm ²	-	-	TB 0200 146	
Crimping tool for cable lugs	6.0 mm ²	-	TA 0000 180	TA 0000	
	10.0 mm ²	-			
Cable lugs for PE connection			Pieces	Part Number	
Cable lug	6.0 mm ²	-	20	N15 006 000 9Z	
	10.0 mm ²	-	20	N15 010 000 7Z	
Further tools see catalogue "Tools"					

heavy|mate® M Characteristics 4 contacts, 4 + ⊕ , 5 contacts module for stamped contacts

General Characteristics	Standard	Value
Number of contacts		4 + ⊕ / 5
Termination technique		crimp
Wire gauge		0.5 - 4.0 mm ² (AWG 20 - 12)
Flammability	UL 94	V-0
Electrical Characteristics		
Rated voltage	IEC 60664-1	1000 V ¹⁾
Pollution degree	IEC 60664-1	3
Installation (overvoltage) category	IEC 60664-1	III
Material group	IEC 60664-1	II
Rated impulse withstand voltage	IEC 60664-1	8.0 kV
Current carrying capacity	IEC 60512-5-2	see derating curves
Contact resistance	IEC 60512-2-1	≤ 5 mΩ
Insulation resistance	IEC 60512-3-1	≥ 10 ¹⁰ Ω
Climatical Characteristics		
Climatic category	IEC 60068-1	40 / 125 / 21
Upper temperature	IEC 60512-11-9	+ 125 °C
Lower temperature	IEC 60512-11-10	- 40 °C
Mechanical Characteristics		
IP-degree of protection	IEC 60529	20
Mechanical operation	IEC 60512-9-1	≥ 500 mating cycles
Materials		
Module		PA 6.6 GF
Colour module		black
Male contacts		CuZn (brass)
Female contacts		CuSn (bronze)
Contact plating		Ag (silver)

Derating Curves



heavy|mate® M 4 contacts, 4 + ⊕ , 5 contacts module + crimp contacts

Description	Part Number	Drawing	Figure
4 contacts, 4 + ⊕ , 5 contacts module, PE contact 2 mm first-to-mate (Please order contacts separately)			
Pin module	C146 D04 001 E8 (4 pol) C146 D05 001 E8 (4 + PE) C146 D05 801 E8 (5 pol)		
Socket module	C146 C04 001 E8 (4 pol) C146 C05 001 E8 (4 + PE) C146 C05 801 E8 (5 pol)		

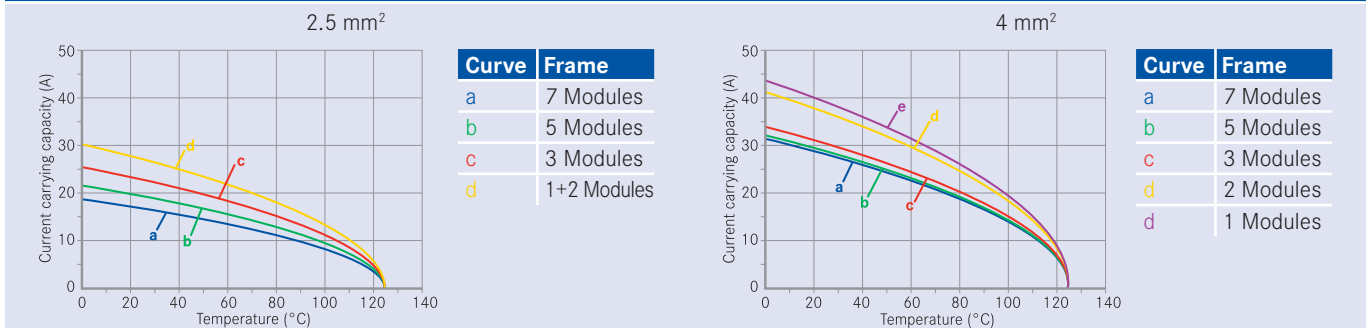
Supplied as	for wire gauge	AWG	Pieces	Part Number		Figure	
				Male contact	Female contact		
Stamped single contacts							
silver plating	0.5 - 1.5 mm ²	20 - 16	100	VN01 025 0001 101	VN02 025 0001 101		
	1.5 - 2.5 mm ²	16 - 14	100	VN01 025 0010 101	VN02 025 0010 101		
	2.5 - 4.0 mm ²	12	100	VN01 025 0043 1	VN02 025 0043 1		
gold plating	0.5 - 1.5 mm ²	20 - 16	100	VN01 025 0001 102	VN02 025 0001 102		
	1.5 - 2.5 mm ²	16 - 14	100	VN01 025 0010 102	VN02 025 0010 102		
Stamped Contacts on reel for hand crimp tools							
silver plating	0.5 - 1.5 mm ²	20 - 16	200	ZN01 025 0001 1	ZN02 025 0001 1		
	1.5 - 2.5 mm ²	16 - 14	100	ZN01 025 0010 1	ZN02 025 0010 1		
gold plating	0.5 - 1.5 mm ²	20 - 16	200	ZN01 025 0001 2	ZN02 025 0001 2		
	1.5 - 2.5 mm ²	16 - 14	100	ZN01 025 0010 2	ZN02 025 0010 2		
Contacts on reel for crimp machines contact feeding left hand side							
silver plating	0.5 - 1.5 mm ²	20 - 16	2000	TN01 025 0001 1	TN02 025 0001 1		
	1.5 - 2.5 mm ²	16 - 14	2000	TN01 025 0010 1	TN02 025 0010 1		
	2.5 - 4 mm ²	12	2000	TN01 025 0043 1	TN02 025 0043 1		

Tools					
Description	for wire gauge	Part Number			
		Contact locator	Crimping dies	Tool	
Removal tool for contacts	-	-	-	FG 0200 146 1	
Removal tool for modules	-	-	-	FG 1000 146	
Crimping tool for single contacts	0.5 - 1.5 mm ²	TA 0004 146 000 1	TA 0000 163	TA 0000	
	1.5 - 2.5 mm ²	TA 0005 146 000 3	TA 0000 141		
	2.5 - 4.0 mm ²	TA 0003 146 000 1	TA 0000 121		
Further tools see catalogue "Tools"					

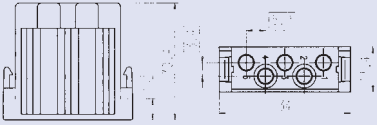

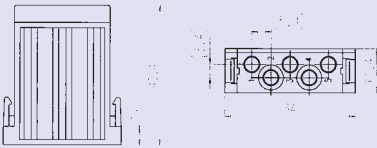

heavy|mate® M Characteristics 5 contacts module for turned contacts


General Characteristics	Standard	Value
Number of contacts		5
Termination technique		crimp
Wire gauge		0.5 - 4.0 mm ² (AWG 20 - 12)
Flammability	UL 94	V-0
Electrical Characteristics		
Rated voltage	IEC 60664-1	400 V
Pollution degree	IEC 60664-1	3
Installation (overvoltage) category	IEC 60664-1	III
Material group	IEC 60664-1	II
Rated impulse withstand voltage	IEC 60664-1	6.0 kV
Current carrying capacity	IEC 60512-5-2	see derating curves
Contact resistance	IEC 60512-2-1	≤ 2 mΩ
Insulation resistance	IEC 60512-3-1	≥ 10 ¹⁰ Ω
Climatical Characteristics		
Climatic category	IEC 60068-1	40 / 125 / 21
Upper temperature	IEC 60512-11-9	+ 125 °C
Lower temperature	IEC 60512-11-10	- 40 °C
Mechanical Characteristics		
Mechanical operation	IEC 60512-9-1	≥ 500 mating cycles
Materials		
Module		PA 6.6 GF
Colour module		black
Contacts		Cu-alloy
Contact plating		Ag (silver)

Derating Curves



heavy|mate® M 5 contacts module + crimp contacts

Description	Part Number	Drawing	Figure
5 contacts module (Please order contacts separately)			
Pin module	C146 A05 001 E8		
Socket module	C146 B05 001 E8		

Supplied as	for wire gauge	AWG	Pieces	Part Number		Figure
				Male contact	Female contact	
Turned 2.5 mm crimp contacts single contact						
silver plating	0.5 mm ²	20	100	VN01 025 0029 1C	VN02 025 0029 1C	
	0.75 - 1.0 mm ²	18	100	VN01 025 0030 1C	VN02 025 0030 1C	
	1.5 mm ²	16	100	VN01 025 0031 1C	VN02 025 0031 1C	
	2.5 mm ²	14	100	VN01 025 0032 1C	VN02 025 0032 1C	
	4.0 mm ²	12	100	VN01 025 0033 1C	VN02 025 0033 1C	

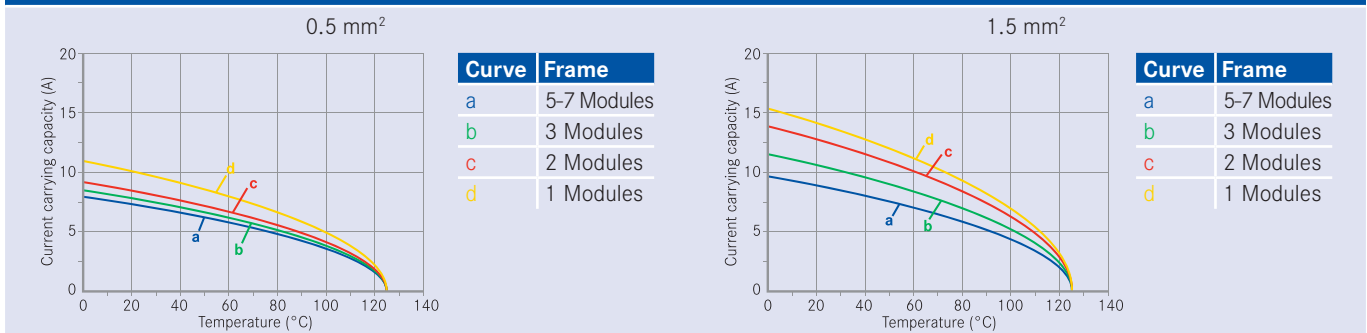
Tools					
Description	for wire gauge	Part Number			Tool
		Contact locator	Crimping dies		
Removal tool for contacts	-	-	-	-	FG 0300 146 4
Removal tool for modules	-	-	-	-	FG 1000 146
Crimping tool for single contacts	0.5 - 2.5 mm ²	TA 0010 146 000 2	TA 0000 144		TA 0000
	4.0 mm ²	TA 0010 146 000 3	TA 0000 124		

Further tools see catalogue "Tools"





heavy|mate® M Characteristics 10 contacts module for stamped contacts

General Characteristics	Standard	Value
Number of contacts		10
Termination technique		crimp
Wire gauge		0.14 - 2.5 mm ² (AWG 26 - 14)
Flammability	UL 94	V-0
Electrical Characteristics		
Rated voltage	IEC 60664-1	400 V
Pollution degree	IEC 60664-1	3
Installation (overvoltage) category	IEC 60664-1	III
Material group	IEC 60664-1	II
Rated impulse withstand voltage	IEC 60664-1	6.0 KV
Current carrying capacity	IEC 60512-5-2	see derating curves
Contact resistance	IEC 60512-2-1	≤ 5 mΩ
Insulation resistance	IEC 60512-3-1	≥ 10 ¹⁰ Ω
Climatical Characteristics		
Climatic category	IEC 60068-1	40 / 125 / 21
Upper temperature	IEC 60512-11-9	+ 125 °C
Lower temperature	IEC 60512-11-10	- 40 °C
Mechanical Characteristics		
Mechanical operation	IEC 60512-9-1	≥ 500 mating cycles
Materials		
Module		PA 6.6 GF
Colour module		black
Male contacts		CuZn (brass)
Female contacts		CuSn (bronze)
Contact plating		Ag (silver)

Derating Curves

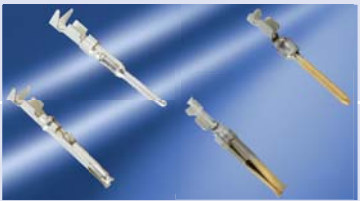


heavy|mate® M 10 contacts module + crimp contacts


Description	Part Number	Drawing	Figure
10 contacts module (Please order contacts separately)			
Pin module	C146 D10 001 E8		
Socket module	C146 C10 001 G8		

Supplied as	for wire gauge	AWG	Pieces	Part Number		Figure
				Male contact	Female contact	

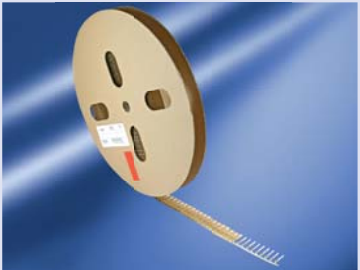
Stamped 1.6 mm single contact

silver plating	0.14 - 0.5 mm ²	26 - 20	100	VN01 016 0003 1	VN02 016 0003 1	
	0.5 - 1.5 mm ²	20 - 16	100	VN01 016 0002 1	VN02 016 0002 1	
	1.5 - 2.5 mm ²	16 - 14	100	VN01 016 0005 1	VN02 016 0005 1	
gold plating	0.14 - 0.5 mm ²	26 - 20	100	VN01 016 0003 2	VN02 016 0003 2	
	0.5 - 1.5 mm ²	20 - 16	100	VN01 016 0002 2	VN02 016 0002 2	
	1.5 - 2.5 mm ²	16 - 14	100	VN01 016 0005 2	VN02 016 0005 2	

Stamped Contacts on reel for hand crimp tools

silver plating Standard	0.14 - 0.5 mm ²	26 - 20	200	ZN01 016 0003 1	ZN02 016 0003 1	
	0.5 - 1.5 mm ²	20 - 16	200	ZN01 016 0002 1	ZN02 016 0002 1	
	1.5 - 2.5 mm ²	16 - 14	100	ZN01 016 0005 1	ZN02 016 0005 1	
silver plating High current	0.5 - 1.5 mm ²	20 - 16	200	ZN01 016 0015 1	ZN02 016 0015 1	
	1.5 - 2.5 mm ²	16 - 14	100	ZN01 016 0016 1	ZN02 016 0016 1	
gold plating Standard	0.14 - 0.5 mm ²	26 - 20	200	ZN01 016 0003 2	ZN02 016 0003 2	
	0.5 - 1.5 mm ²	20 - 16	200	ZN01 016 0002 2	ZN02 016 0002 2	
	1.5 - 2.5 mm ²	16 - 14	100	ZN01 016 0005 2	ZN02 016 0005 2	

Stamped Contacts on reel for crimp machines contact feeding left hand side

silver plating Standard	0.14 - 0.5 mm ²	26 - 20	2000	TN01 016 0003 1	TN02 016 0003 1	
	0.5 - 1.5 mm ²	20 - 16	2000	TN01 016 0002 1	TN02 016 0002 1	
	1.5 - 2.5 mm ²	16 - 14	2000	TN01 016 0005 1	TN02 016 0005 1	
silver plating High current	0.5 - 1.5 mm ²	20 - 16	2000	TN01 016 0015 1	TN02 016 0015 1	
	1.5 - 2.5 mm ²	18 - 14	2000	TN01 016 0016 1	TN02 016 0016 1	
gold plating Standard	0.14 - 0.5 mm ²	26 - 20	2000	TN01 016 0003 2	TN02 016 0003 2	
	0.5 - 1.5 mm ²	20 - 16	2000	TN01 016 0002 2	TN02 016 0002 2	
	1.5 - 2.5 mm ²	16 - 14	2000	TN01 016 0005 2	TN02 016 0005 2	

Tools

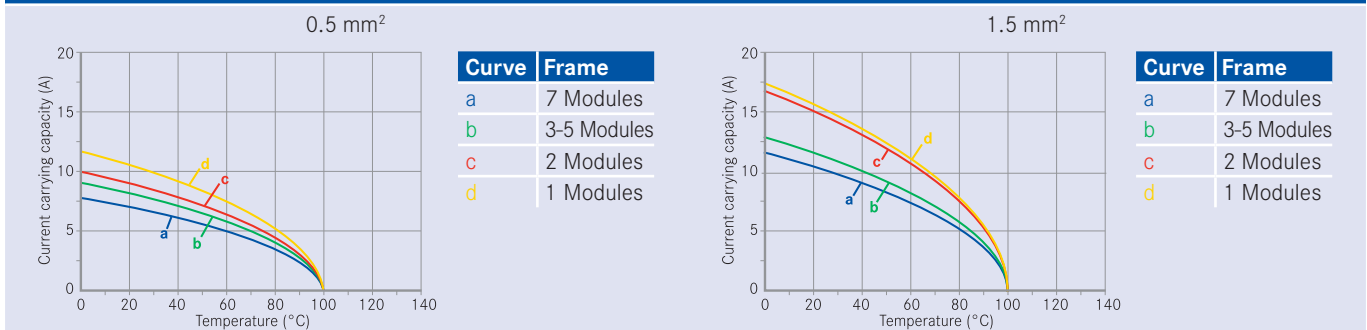
Description	for wire gauge	Part Number		
		Contact locator	Crimping dies	Tool
Removal tool for contacts/ modules	-	-	-	FG 0300 146 1 / FG 1000 146
Service crimping tool	0.14 - 0.5 mm ² 0.5 - 1.5 mm ²	-	-	TA 0100 146
Crimping tool for single contacts	0.14 - 0.5 mm ²	TA 0001 146 000 1	TA 0000 202	TA 0000
	0.5 - 1.5 mm ²	TA 0002 146 000 1	TA 0000 163	
	1.5 - 2.5 mm ²	TA 0007 146 000 3	TA 0000 141	

Further tools see catalogue "Tools"

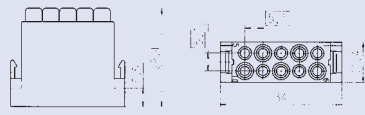

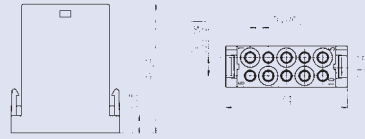

heavy|mate® M Characteristics 10 contacts module for turned contacts


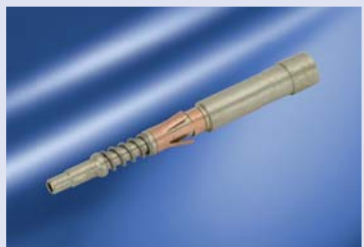
General Characteristics	Standard	Value
Number of contacts		10
Termination technique		crimp
Wire gauge		0.14 - 2.5 mm ² (AWG 26 - 14)
Flammability	UL 94	V-0
Electrical Characteristics		
Rated voltage	IEC 60664-1	400 V
Pollution degree	IEC 60664-1	3
Installation (overvoltage) category	IEC 60664-1	III
Material group	IEC 60664-1	II (PA)
Rated impulse withstand voltage	IEC 60664-1	6.0 kV
Current carrying capacity	IEC 60512-5-2	siehe Derating Kurven
Contact resistance	IEC 60512-2-1	≤ 5 mΩ
Insulation resistance	IEC 60512-3-1	≥ 10 ¹⁰ Ω
Climatical Characteristics		
Climatic category	IEC 60068-1	40 / 100 / 21
Upper temperature	IEC 60512-11-9	+ 100 °C
Lower temperature	IEC 60512-11-10	- 40 °C
Mechanical Characteristics		
Mechanical operation	IEC 60512-9-1	≥ 500 Steckzyklen
Materials		
Module		PA 6.6 GF
Colour module		black
Contacts		CuZn (brass)
Contact plating		Ag (silver)

Derating Curves



heavy|mate® M 10 contacts module + crimp contacts

Description	Part Number	Drawing	Figure
10 contacts module (Please order contacts separately)			
Pin module	C146 A10 001 E8		
Socket module	C146 B10 001 E8		

Supplied as	for wire gauge	AWG	Pieces	Part Number		Figure
				Male contact	Female contact	
Turned 1.6 mm crimp contacts single contact						
silver plating	0.14 - 0.37mm ²	26 - 22	100	VN01 016 0024 1C	VN02 016 0024 1C	
	0.5 mm ²	20	100	VN01 016 0025 1C	VN02 016 0025 1C	
	0.75 - 1.0 mm ²	20 - 16	100	VN01 016 0026 1C	VN02 016 0026 1C	
	1.5 mm ²	16 - 15	100	VN01 016 0027 1C	VN02 016 0027 1C	
	2.5 mm ²	14	100	VN01 016 0028 1C	VN02 016 0028 1C	
gold plating	0.14 - 0.37mm ²	26 - 22	100	VN01 016 0024 2C	VN02 016 0024 2C	
	0.5 mm ²	20	100	VN01 016 0025 2C	VN02 016 0025 2C	
	0.75 - 1.0 mm ²	20 - 16	100	VN01 016 0026 2C	VN02 016 0026 2C	
	1.5 mm ²	16 - 15	100	VN01 016 0027 2C	VN02 016 0027 2C	
	2.5 mm ²	14	100	VN01 016 0028 2C	VN02 016 0028 2C	
FO contacts						
single contact	1.0 mm POF	-	10	VN01 016 0040 8 X	VN02 016 0040 8 X	

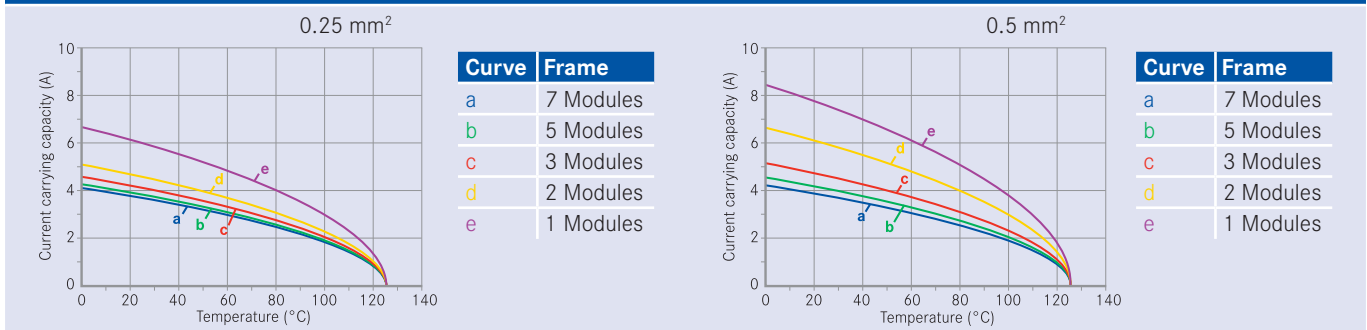
Tools					
Description	for wire gauge	Part Number			Tool
		Contact locator	Crimping dies		
Removal tool for contacts	-	-	-	-	FG 0300 146 1
Removal tool for modules	-	-	-	-	FG 1000 146
Crimping tool for single contacts	0.14 - 1.0 mm ² 1.5 mm ² 2.5 mm ²	TA 0010 146 000 1	TA 0000 184		TA 0000
Crimping tool for FO contacts ¹⁾	1.0 mm POF/FO	-	-	-	TB 0500 146

Further tools see catalogue "Tools"

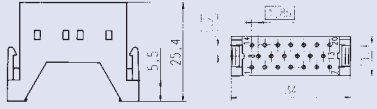

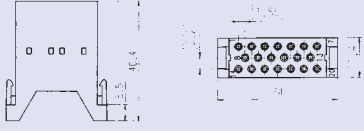

heavy|mate® M Characteristics 20 contacts module




General Characteristics	Standard	Value
Number of contacts		20
Termination technique		crimp
Wire gauge		0.09 - 0.5 mm ² (AWG 28 - 20)
Flammability	UL 94	V-0
Electrical Characteristics		
Rated voltage	IEC 60664-1	63 V
Pollution degree	IEC 60664-1	3
Installation (overvoltage) category	IEC 60664-1	III
Material group	IEC 60664-1	II (PA)
Rated impulse withstand voltage	IEC 60664-1	4.0 kV
Current carrying capacity	IEC 60512-5-2	see derating curves
Contact resistance	IEC 60512-2-1	≤ 5 mΩ
Insulation resistance	IEC 60512-3-1	≥ 10 ¹⁰ Ω
Climatical Characteristics		
Climatic category	IEC 60068-1	40 / 125 / 21
Upper temperature	IEC 60512-11-9	+ 125 °C
Lower temperature	IEC 60512-11-10	- 40 °C
Mechanical Characteristics		
Mechanical operation	IEC 60512-9-1	≥ 500 mating cycles
Materials		
Module		PA 6.6 GF
Colour module		black
Male contacts		CuZn (brass)
Female contacts		CuSn (bronze)
Contact plating		Au (gold)

Derating-Kurven



heavy|mate® M 20 contacts module + crimp contacts

Description	Part Number	Drawing	Figure
20 contacts module (Please order contacts separately)			
Pin module	C146 A20 001 G8		
Socket module	C146 B20 001 G8		

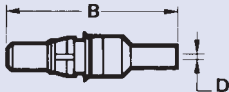
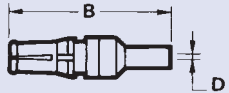
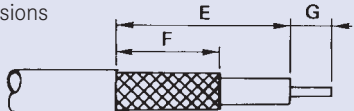
Supplied as	for wire gauge	AWG	Pieces	Part Number		Figure
				Male contact	Female contact	
Stamped 1.0 mm single contacts for hand crimping tools						
gold plating	0.09 - 0.14 mm ²	28 - 26	100	VN01 010 0130 2	VN02 010 0130 2	
	0.25 - 0.50 mm ²	24 - 20	100	VN01 010 0131 2	VN02 010 0131 2	
Stamped Contacts on reel for hand crimp tools						
gold plating	0.09 - 0.14 mm ²	28 - 26	350	ZN01 010 0130 2	ZN02 010 0130 2	
	0.25 - 0.50 mm ²	24 - 20	350	ZN01 010 0131 2	ZN02 010 0131 2	
Stamped contacts on reel for crimp machines contact feeding left hand side						
gold plating	0.09 - 0.14 mm ²	28 - 26	2000	TN01 010 0130 2	TN02 010 0130 2	
	0.25 - 0.50 mm ²	24 - 20	2000	TN01 010 0131 2	TN02 010 0131 2	

Tools				
Description	for wire gauge	Part Number		
		Contact locator	Crimping dies	Tool
Removal tool for contacts	-	-	-	17D 438 SP
Removal tool for modules	-	-	-	FG 1000 146
Service crimping tool	0.09 - 0.25 mm ² 0.25 - 0.50 mm ²	-	-	TA 0200 146
Further tools see catalogue "Tools"				

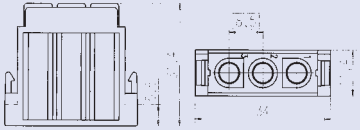

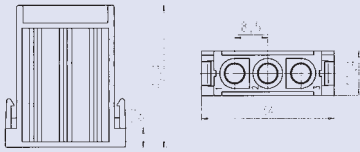

heavy|mate® M Characteristics 3 contacts module for coax contacts


General Characteristics	Standard	Value
Number of contacts		3
Termination technique		crimp, solder
Flammability	UL 94	V-0
Electrical Characteristics		
Rated voltage	IEC 60664-1	250 V
Pollution degree	IEC 60664-1	3
Installation (overvoltage) category	IEC 60664-1	III
Material group	IEC 60664-1	II
Impedance		50 Ω
Working frequency		2 GHz
Climatical Characteristics		
Climatic category	IEC 60068-1	40 / 125 / 21
Upper temperature	IEC 60512-11-9	+ 125 °C
Lower temperature	IEC 60512-11-10	- 40 °C
Mechanical Characteristics		
Mechanical operation	IEC 60512-9-1	≥ 500 mating cycles
Materials		
Module		PA 6.6 GF
Colour module		redbrown
Contact plating		Au (gold)

Contact dimensions (Figure without crimp ferrule)

	Part Number	B	D	E	F	G
Male contact 	17 DM 537 401	18 ¹⁾	1.6	4.6	4.3	1.9
Female contact 	17 DM 537 421	18 ¹⁾	1.6	5.1	4.4	1.9
	17 DM 537 405	23.6 ²⁾	3.2	9.5	7.9	2
Stripping dimensions 	17 DM 537 425	23.6 ²⁾	3.2	9.5	7.9	2

heavy|mate® M 3 contacts module for coax contacts + crimp contacts

Description	Part Number	Drawing	Figure
3 contacts module for coax contacts (Please order contacts separately)			
Pin module	C146 A03 501 E8		
Socket module	C146 B03 501 E8		

Supplied as	for wire gauge	AWG	Pieces	Part Number		Figure
				Male contact	Female contact	
Single contacts ¹⁾						
	RG 174, 179, 316		1	17 DM 537 401	17 DM 537 421	
	RG 58		1	17 DM 537 405	17 DM 537 425	

Tools						
Description	for cable size	6-hex-size in mm			Part Number	
					Crimping dies	Tool
Removal tool for contacts	-	-	-	-	-	FG 0300 146 3
Removal tool for modules	-	-	-	-	-	FG 1000 146
Crimping tool for single contacts	RG 58	5.4	(6.5)	(1.7)	TA 0000 401	TA 0000
	RG 174, 179, 316	3.25	(4.5)	(1.7)	TA 0000 402	TA 0000
Further tools see catalogue "Tools"						

Brief information

- For integration of standard RJ45 components
- Worldwide real-time access on machines and facilities
- Easy assembly through the use of standard RJ45 components
- One connector for power, signal and data transmission
- 4 additional power crimp contacts
- Time- and money saving through the use of similar active- and passive components
- Unitary transmission protocol in the office- and production environment.
- Meets CAT 5 for Ethernet acc. ISO/IEC 11801, suitable for 10/100/1000 Mbps transfer rate

General Characteristics	Standard	Value module	Value RJ45
Number of contacts		4	8
Termination technique		crimp	mate
Wire gauge		0.14 - 2.5mm ²	
Flammability	UL 94	V-0	V - 0
Electrical Characteristics			
Rated voltage	IEC 60664-1	400 V AC	125 V AC
Rated impulse withstand voltage	IEC 60664-1	6 kV	1.8 kV
Current carrying capacity	IEC 60512-5-2	13 A ¹⁾	1.5 A
Contact resistance	IEC 60512-2-1	≤ 5 mΩ	≤ 20 mΩ
Insulation resistance	IEC 60512-3-1	10 ¹⁰ Ω	5 ⁸ Ω
Climatical Characteristics			
Upper temperature	IEC 60512-11-9	+ 100 °C	+ 80 °C
Lower temperature	IEC 60512-11-10		- 20 °C
Mechanical Characteristics			
Mechanical operation	IEC 60512-9-1	≥ 500 mating cycles	≥ 500 mating cycles
Materials			
Module		PA 6.6 GF	
Colour module		black	black
Male contacts		CuZn (brass)	CuSn (bronze)
Female contacts		CuZn (brass)	CuSn (bronze)
Contact plating		Ag (silver)	Au (gold)

heavy|mate® M RJ module + crimp contacts

Description	Part Number	Drawing	Figure
RJ module			
Pin module	C146 E12 001 E8		
Socket module	C146 F12 001 G8		

Supplied as	for wire gauge	AWG	Pieces	Part Number		Figure
				Male contact	Female contact	
Turned 1.6 mm single contacts						
silver plating	0.14 - 0.37 mm ²	26 - 22	100	VN01 016 0024 1C	VN02 016 0024 1C	
	0.5 mm ²	20	100	VN01 016 0025 1C	VN02 016 0025 1C	
	0.75 - 1.0 mm ²	20 - 16	100	VN01 016 0026 1C	VN02 016 0026 1C	
	1.5 mm ²	16 - 15	100	VN01 016 0027 1C	VN02 016 0027 1C	
	2.5 mm ²	14	100	VN01 016 0028 1C	VN02 016 0028 1C	
gold plating	0.14 - 0.37 mm ²	26 - 22	100	VN01 016 0024 2C	VN02 016 0024 2C	
	0.5 mm ²	20	100	VN01 016 0025 2C	VN02 016 0025 2C	
	0.75 - 1.0 mm ²	20 - 16	100	VN01 016 0026 2C	VN02 016 0026 2C	
	1.5 mm ²	16 - 15	100	VN01 016 0027 2C	VN02 016 0027 2C	
	2.5 mm ²	14	100	VN01 016 0028 2C	VN02 016 0028 2C	

Brief information

- Power, signal and pneumatic within a single connector
- Very stable brass contacts
- Pneumatic socket contacts with barrier, closes when the connector is open
- Available with single or double connections
- Connection for 2.5 mm or 4 mm PTFE (Teflon)-tubes
- Tubes can be disassembled from the terminations

General Characteristics	Standard	Value
Number of contacts		1 / 2
Termination technique		tube termination
Wire gauge		2.5 mm / 4.0 mm
Flammability	UL 94	V-0
Technical Characteristics		
Operating pressure		8 bar with PTFE tube
Operating path		4.0 mm
Locking		locking on one side
Pneumatic tube		only use PTFE tubes ¹⁾
Climatical Characteristics		
Upper temperature		+100 °C
Lower temperature		- 20 °C
Mechanical Characteristics		
Mechanical operation		5000 mating cycles
Materials		
Module		PA 6.6 GF
Colour module		black
Contacts		Brass MS 58

heavy|mate® M Pneumatic module + crimp contacts

Description	Part Number	Drawing	Figure
Pneumatic module			
Pin module	C146 G01 014 G8 (2.5 mm)		
	C146 G01 024 G8 (4.0 mm)		
Socket module	C146 H01 034 G8 (2.5 mm)		
	C146 H01 044 G8 (4.0 mm)		
Pin module	C146 G02 014 G8 (2.5 mm)		
	C146 G02 024 G8 (4.0 mm)		
Socket module	C146 H02 034 G8 (2.5 mm)		
	C146 H02 044 G8 (4.0 mm)		

heavy|mate® M Characteristics Shielded module

General Characteristics	Standard	Value
Number of contacts		2X4
Termination technique		crimp
Wire gauge		0.14 – 2.5 mm ² (AWG 26-14)
Flammability	UL94	V-0
Electrical Characteristics		
Rated voltage	IEC 60664-1	50V
Pollution degree	IEC 60664-1	3
Installation (overvoltage) category	IEC 60664-1	3
Material group	IEC 60664-1	3b
Rated impulse withstand voltage	IEC 60664-1	0.8 kV
Current carrying capacity	IEC 60512-5-2	10A
Contact resistance	IEC 60512-2-1	≤ 5mΩ
Climatical Characteristics		
Climatic category	IEC 60068-1	40 / 125 / 21
Upper temperature	IEC 60512-11-9	125°C
Lower temperature	IEC 60512-11-10	-40°C
Mechanical Characteristics		
Mechanical operation	IEC 60512-9-1	≥ 500 mating cycles
Materials		
Module		PC
Colour module		grey
Contacts		Cu-alloy
Contact plating		Au (gold)

heavy|mate® M Shielded module + crimp contacts

Description	Part Number	Drawing	Figure
Contact insert 2x4 contacts (Please order contacts separately)			
Pin module	C146 A08 102 E8		
Male contact carriers 4 contacts	C146 A05 100 G8		
Socket module	C146 B08 102 E8		
Female contact carriers 4 contacts	C146 B05 100 G8		

Supplied as	for wire gauge	AWG	Pieces	Part Number		Figure
				Male contact	Female contact	
Turned 1.6mm crimp contacts						
Single contacts	0.14 – 0.37 mm ²	26-22	100	VN01 016 0024 2C	VN02 016 0024 2C	
	0.5 mm ²	20	100	VN01 016 0025 2C	VN02 016 0025 2C	
	0.75 – 1.0 mm ²	20-16	100	VN01 016 0026 2C	VN02 016 0026 2C	
	1.5 mm ²	16-15	100	VN01 016 0027 2C	VN02 016 0027 2C	
	2.5 mm ²	14	100	VN01 016 0028 2C	VN02 016 0028 2C	

Tools				
Description	for wire gauge	Part Number		
		Contact locator	Crimping dies	Tool
Crimping tool	-	-	-	TA 0000 oder TA 0500
Crimping dies	-	-	-	TA 00000 184
Contact locator	-	-	-	TA 0010 146 000 1
Removal tool for contacts	-	-	-	FG 0300 146 1
Further tools see catalogue "Tools"				

heavy|mate® M Removal tools, accessoires

Contact size	Part Number	Figure
1.0 mm	17D 438 SP	
1.6 mm	FG 0300 146 1	
2.5 mm turned	FG 0300 146 4	
2.5 mm stamped	FG 0200 146 1	
3.6 mm	FG 0300 146 3	



Contact size	Part Number	Figure
Removal tool for modules	FG 1000 146	
Blank modules	C146 A00 001 E8 (pin) C146 B00 001 E8 (socket)	
Module coupler	C146 10Z000 002 8	
Assembly angle	C146 10Z001 001 8	
Strain relief	C146 10Z002 001 8	



heavy | mate[®] Q

- Compact design
- Even in a metal housing
- Rated voltage up to 690 V
- Numbers of contacts: 5 + PE, 4/2 + PE, 7 + PE, 8 + PE, 12 + PE, 17 + PE

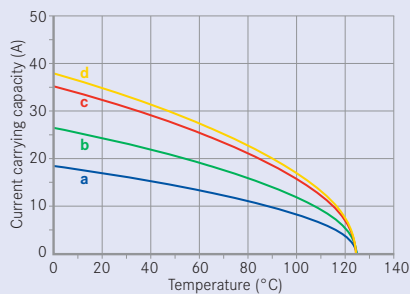


Approvals, Testhouse	Characteristics	Approval-Number
UL 	In preparation	In preparation
CSA 	In preparation	In preparation

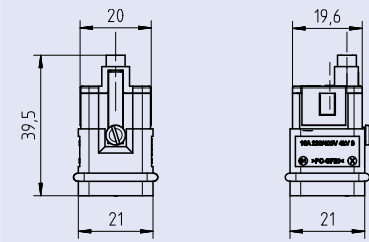

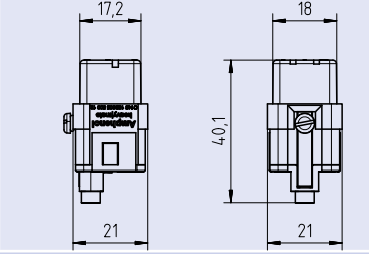

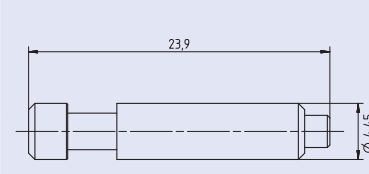

heavy|mate® Q Characteristics contact inserts 5 + PE

General Characteristics	Standard	Value
Number of contacts		5 + PE
Termination technique		crimp
Wire gauge		0.5 - 4.0 mm ² (AWG 20-12)
Flammability	UL94	V-0
Electrical Characteristics		
Rated voltage	IEC 60664-1	400 V (conductor - conductor) 230 V (conductor - earth)
Pollution degree	IEC 60664-1	3
Installation (overvoltage) category	IEC 60664-1	3
Material group	IEC 60664-1	3b
Rated impulse withstand voltage	IEC 60664-1	6 kV
Current carrying capacity	IEC 60512-5-2	see derating curves
Contact resistance	IEC 60512-2-1	≤ 5 mΩ
Insulation resistance	IEC 60512-3-1	≥ 10 ¹⁰ Ω
Climatical Characteristics		
Climatic category	IEC 60068-1	40/125/21
Upper temperature	IEC 60512-11-9	+125°C
Lower temperature	IEC 60512-11-10	-40°C
Mechanical Characteristics		
Mechanical operation	IEC 60512-9-1	≥500 mating cycles
Materials		
Insert		PC
Colour insert		grey
Contacts		Cu-alloy
Contact plating		Ag (silver) / Au (gold)

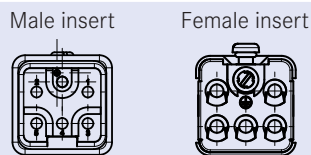
Derating Curves



Curve	Wire gauge
a	1.0 mm ²
b	1.5 mm ²
c	2.5 mm ²
d	4.0 mm ²

Description	Part Number	Drawing	Figure
Contact insert 5 +PE (Please order contacts separately)			
Male insert	C146 10A005 500 12		
Female insert	C146 10B005 500 12		
Coding element			
Coding element	N17 045 000 1		

Contact arrangement

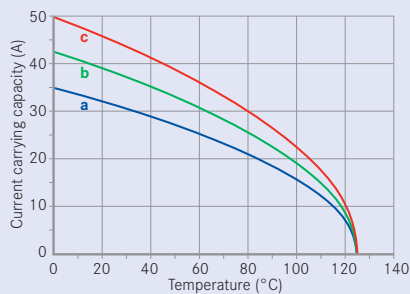


Supplied as	for wire gauge	AWG	Pieces	Part Number		Figure
				Male contact	Female contact	
Turned 2.5 mm crimp contacts single contact						
silver plating	0.5 mm ²	20	100	VN01 025 0035 1C	VN02 025 0035 1C	
	0.75 - 1.0 mm ²	18	100	VN01 025 0036 1C	VN02 025 0036 1C	
	1.5 mm ²	16	100	VN01 025 0037 1C	VN02 025 0037 1C	
	2.5 mm ²	14	100	VN01 025 0038 1C	VN02 025 0038 1C	
	4.0 mm ²	12	100	VN01 025 0039 1C	VN02 025 0039 1C	
gold plating	0.5 mm ²	20	100	VN01 025 0035 2C	VN02 025 0035 2C	
	0.75 - 1.0 mm ²	18	100	VN01 025 0036 2C	VN02 025 0036 2C	
	1.5 mm ²	16	100	VN01 025 0037 2C	VN02 025 0037 2C	
	2.5 mm ²	14	100	VN01 025 0038 2C	VN02 025 0038 2C	
	4.0 mm ²	12	100	VN01 025 0039 2C	VN02 025 0039 2C	

heavy|mate® Q Characteristics contact inserts 4/2 + PE

General Characteristics	Standard	Value
Number of contacts		4/2 + PE
Termination technique		crimp
Wire gauge		1.5 - 6.0 mm ² (AWG 16-10)
Flammability	UL94	V-0
Electrical Characteristics		
Rated voltage	IEC 60664-1	Power: 400 V (Leiter - Erde) 690 V (Leiter - Leiter) Signal: 250 V
Pollution degree	IEC 60664-1	3
Installation (overvoltage) category	IEC 60664-1	3
Material group	IEC 60664-1	3b
Rated impulse withstand voltage	IEC 60664-1	6 kV / 4 kV
Current carrying capacity	IEC 60512-5-2	see derating curves
Contact resistance	IEC 60512-2-1	≤ 5 mΩ
Insulation resistance	IEC 60512-3-1	≥ 10 ¹² Ω
Climatical Characteristics		
Climatic category	IEC 60068-1	40/125/21
Upper temperature	IEC 60512-11-9	+125°C
Lower temperature	IEC 60512-11-10	-40°C
Mechanical Characteristics		
Mechanical operation	IEC 60512-9-1	≥ 500 mating cycles
Materials		
Insert		PC
Colour insert		grey
Contacts		Cu-alloy
Contact plating		Ag (silver)

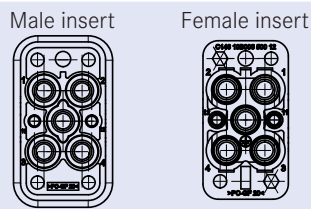
Derating Curves



Curve	Wire gauge
a	2.5 mm ²
b	4 mm ²
c	6 mm ²

Description	Part Number	Drawing	Figure
Contact insert 4/2 +PE (Please order contacts separately)			
Male insert	C146 10A006 500 12		
Female insert	C146 10B006 500 12		

Contact arrangement

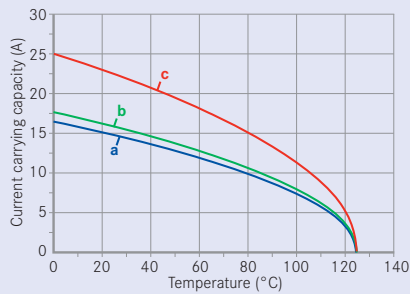


Supplied as	for wire gauge	AWG	Pieces	Part Number		Figure
				Male contact	Female contact	
Turned 4 mm crimp contacts single contact						
silver plating	1,5 mm ²	16	100	VN01 040 0010 1C	VN02 040 0010 1C	
	2,5 mm ²	14	100	VN01 040 0011 1C	VN02 040 0011 1C	
	4 mm ²	12	100	VN01 040 0012 1C	VN02 040 0012 1C	
	6 mm ²	10	100	VN01 040 0013 1C	VN02 040 0013 1C	
Turned 1.6 mm crimp contacts single contact						
silver plating	0,14 - 0,37 mm ²	26-22	100	VN01 016 0024 1C	VN02 016 0024 1C	
	0,5 mm ²	20	100	VN01 016 0025 1C	VN02 016 0025 1C	
	0,75 - 1,0 mm ²	20-16	100	VN01 016 0026 1C	VN02 016 0026 1C	
	1,5 mm ²	16-15	100	VN01 016 0027 1C	VN02 016 0027 1C	
	2,5 mm ²	14	100	VN01 016 0028 1C	VN02 016 0028 1C	

heavy|mate® Q Characteristics contact inserts 7 + PE

General Characteristics	Standard	Value
Number of contacts		7 + PE
Termination technique		crimp
Wire gauge		0.14 – 2.5mm ² (AWG 26-14)
Flammability	UL94	V-0
Electrical Characteristics		
Rated voltage	IEC 60664-1	400V
Pollution degree	IEC 60664-1	3
Installation (overvoltage) category	IEC 60664-1	3
Material group	IEC 60664-1	3b
Rated impulse withstand voltage	IEC 60664-1	6.0 kV
Current carrying capacity	IEC 60512-5-2	see derating curves
Contact resistance	IEC 60512-2-1	≤ 5 mΩ
Insulation resistance	IEC 60512-3-1	≥ 10 ¹⁰ Ω
Climatical Characteristics		
Climatic category	IEC 60068-1	40/125/21
Upper temperature	IEC 60512-11-9	+125°C
Lower temperature	IEC 60512-11-10	-40°C
Mechanical Characteristics		
Mechanical operation	IEC 60512-9-1	≥ 500 mating cycles
Materials		
Insert		PC
Colour insert		grey
Contacts		Cu-alloy
Contact plating		Ag (silver) / Au (gold)

Derating Curves



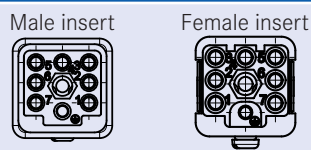
Curve	Wire gauge
a	0.75 mm ²
b	1.5 mm ²
c	2.5 mm ²

Description	Part Number	Drawing	Figure
Contact insert 7 +PE (Please order contacts separately)			
Male insert	C146 10A007 500 12		
Female insert	C146 10B007 500 12		

Coding element

Male insert	N17 059 000 1	
Female insert	N17 059 000 2	

Contact arrangement

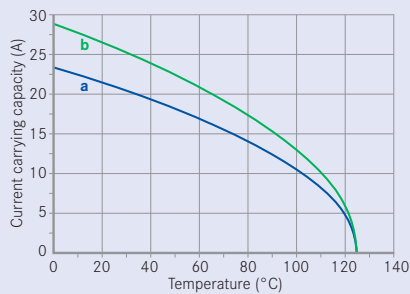


Supplied as	for wire gauge	AWG	Pieces	Part Number		Figure
				Male contact	Female contact	
Turned 1.6 mm crimp contacts single contact						
silver plating	0.14 - 0.37 mm ²	26-22	100	VN01 016 0024 1C	VN02 016 0024 1C	
	0.5 mm ²	20	100	VN01 016 0025 1C	VN02 016 0025 1C	
	0.75 - 1.0 mm ²	20-16	100	VN01 016 0026 1C	VN02 016 0026 1C	
	1.5 mm ²	16-15	100	VN01 016 0027 1C	VN02 016 0027 1C	
	2.5 mm ²	14	100	VN01 016 0028 1C	VN02 016 0028 1C	
gold plating	0.14 - 0.37 mm ²	26-22	100	VN01 016 0024 2C	VN02 016 0024 2C	
	0.5 mm ²	20	100	VN01 016 0025 2C	VN02 016 0025 2C	
	0.75 - 1.0 mm ²	20-16	100	VN01 016 0026 2C	VN02 016 0026 2C	
	1.5 mm ²	16-15	100	VN01 016 0027 2C	VN02 016 0027 2C	
	2.5 mm ²	14	100	VN01 016 0028 2C	VN02 016 0028 2C	

heavy|mate® Q Characteristics contact inserts 8 + PE

General Characteristics	Standard	Value
Number of contacts		8 + PE
Termination technique		crimp
Wire gauge		0.5 - 4.0 mm ² (AWG 20-12)
Flammability	UL94	V-0
Electrical Characteristics		
Rated voltage	IEC 60664-1	500 V
Pollution degree	IEC 60664-1	3
Installation (overvoltage) category	IEC 60664-1	3
Material group	IEC 60664-1	3b
Rated impulse withstand voltage	IEC 60664-1	6 kV
Current carrying capacity	IEC 60512-5-2	see derating curves
Contact resistance	IEC 60512-2-1	≤ 5 mΩ
Insulation resistance	IEC 60512-3-1	≥ 10 ¹² Ω
Climatical Characteristics		
Climatic category	IEC 60068-1	40/125/21
Upper temperature	IEC 60512-11-9	+125°C
Lower temperature	IEC 60512-11-10	-40°C
Mechanical Characteristics		
Mechanical operation	IEC 60512-9-1	≥ 500 mating cycles
Materials		
Insert		PC
Colour insert		grey
Contacts		Cu-alloy
Contact plating		Ag (silver) / Au (gold)

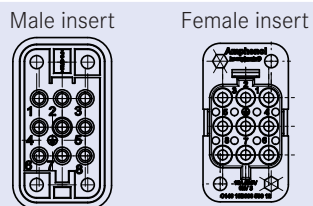
Derating Curves



Curve	Wire gauge
a	1.5 mm ²
b	2.5 mm ²

Description	Part Number	Drawing	Figure
Contact insert 8 +PE (Please order contacts separately)			
Male insert	C146 10A008 500 12		
Female insert	C146 10B008 500 12		
Coding element			
Coding element	N17 045 000 1		

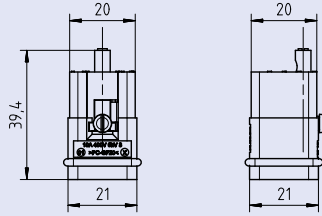

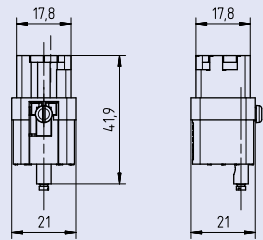


Contact arrangement



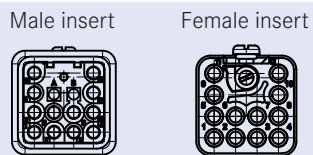
Supplied as	for wire gauge	AWG	Pieces	Part Number		Figure
				Male contact	Female contact	
Turned 2.5 mm crimp contacts single contact						
silver plating	0.5 mm ²	20	100	VN01 025 0035 1C	VN02 025 0035 1C	
	0.75 – 1.0 mm ²	18	100	VN01 025 0036 1C	VN02 025 0036 1C	
	1.5 mm ²	16	100	VN01 025 0037 1C	VN02 025 0037 1C	
	2.5 mm ²	14	100	VN01 025 0038 1C	VN02 025 0038 1C	
	4.0 mm ²	12	100	VN01 025 0039 1C	VN02 025 0039 1C	
gold plating	0.5 mm ²	20	100	VN01 025 0035 2C	VN02 025 0035 2C	
	0.75 – 1,0 mm ²	18	100	VN01 025 0036 2C	VN02 025 0036 2C	
	1.5 mm ²	16	100	VN01 025 0037 2C	VN02 025 0037 2C	
	2.5 mm ²	14	100	VN01 025 0038 2C	VN02 025 0038 2C	
	4.0 mm ²	12	100	VN01 025 0039 2C	VN02 025 0039 2C	

heavy|mate® Q Characteristics contact inserts 12 + PE

General Characteristics	Standard	Value
Number of contacts		12 + PE
Termination technique		crimp
Wire gauge		0.14 – 2.5 mm ² (AWG 26-14)
Flammability	UL94	V-0
Electrical Characteristics		
Rated voltage	IEC 60664-1	400 V
Pollution degree	IEC 60664-1	3
Installation (overvoltage) category	IEC 60664-1	3
Material group	IEC 60664-1	3b
Rated impulse withstand voltage	IEC 60664-1	6 kV
Current carrying capacity	IEC 60512-5-2	see derating curves
Contact resistance	IEC 60512-2-1	≤ 5 mΩ
Insulation resistance	IEC 60512-3-1	≥ 10 ¹² Ω
Climatical Characteristics		
Climatic category	IEC 60068-1	40/125/21
Upper temperature	IEC 60512-11-9	+125°C
Lower temperature	IEC 60512-11-10	-40°C
Mechanical Characteristics		
Mechanical operation	IEC 60512-9-1	≥ 500 mating cycles
Materials		
Insert		PC
Colour insert		grey
Contacts		Cu-alloy
Contact plating		Ag (silver) / Au (gold)
Derating Curves		
In preparation		

Description	Part Number	Drawing	Figure
Contact insert 12 +PE (Please order contacts separately)			
Male insert	C146 10A012 500 12		
Female insert	C146 10B012 500 12		
Coding element			
Coding element	N17 028 000 1		

Contact arrangement

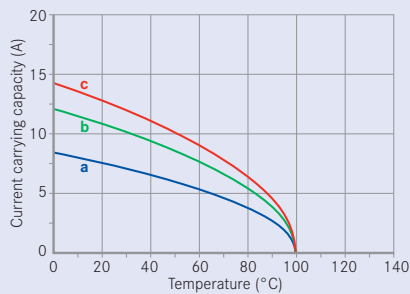


Supplied as	for wire gauge	AWG	Pieces	Part Number		Figure
				Male contact	Female contact	
Turned 1.6 mm crimp contacts single contact						
silver plating	0.14 - 0.37 mm ²	26-22	100	VN01 016 0024 1C	VN02 016 0024 1C	
	0.5 mm ²	20	100	VN01 016 0025 1C	VN02 016 0025 1C	
	0.75 - 1.0 mm ²	20-16	100	VN01 016 0026 1C	VN02 016 0026 1C	
	1.5 mm ²	16-15	100	VN01 016 0027 1C	VN02 016 0027 1C	
	2.5 mm ²	14	100	VN01 016 0028 1C	VN02 016 0028 1C	
gold plating	0.14 - 0.37 mm ²	26-22	100	VN01 016 0024 2C	VN02 016 0024 2C	
	0.5 mm ²	20	100	VN01 016 0025 2C	VN02 016 0025 2C	
	0.75 - 1.0 mm ²	20-16	100	VN01 016 0026 2C	VN02 016 0026 2C	
	1.5 mm ²	16-15	100	VN01 016 0027 2C	VN02 016 0027 2C	
	2.5 mm ²	14	100	VN01 016 0028 2C	VN02 016 0028 2C	

heavy|mate® Q Characteristics contact inserts 17 + PE

General Characteristics	Standard	Value
Number of contacts		17 + PE
Termination technique		crimp
Wire gauge		0.14 – 2.5 mm ² (AWG 26-14)
Flammability	UL94	V-0
Electrical Characteristics		
Rated voltage	IEC 60664-1	250 V
Pollution degree	IEC 60664-1	3
Installation (overvoltage) category	IEC 60664-1	3
Material group	IEC 60664-1	3b
Rated impulse withstand voltage	IEC 60664-1	4 kV
Current carrying capacity	IEC 60512-5-2	see derating curves
Contact resistance	IEC 60512-2-1	≤ 5 mΩ
Insulation resistance	IEC 60512-3-1	≥ 10 ¹² Ω
Climatical Characteristics		
Climatic category	IEC 60068-1	40/125/21
Upper temperature	IEC 60512-11-9	+125°C
Lower temperature	IEC 60512-11-10	-40°C
Mechanical Characteristics		
Mechanical operation	IEC 60512-9-1	≥ 500 mating cycles
Materials		
Insert		PC
Colour insert		grey
Contacts		Cu-alloy
Contact plating		Ag (silver) / Au (gold)

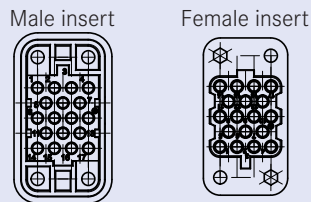
Derating Curves



Curve	Wire gauge
a	0.5 mm ²
b	1 mm ²
c	1.5 mm ²

Description	Part Number	Drawing	Figure
Contact insert 17 +PE (Please order contacts separately)			
Male insert	C146 10A017 500 12		
Female insert	C146 10B017 500 12		

Contact arrangement



Supplied as	for wire gauge	AWG	Pieces	Part Number		Figure
				Male contact	Female contact	
Turned 1.6 mm crimp contacts single contact						
silver plating	0.14 - 0.37 mm ²	26-22	100	VN01 016 0024 1C	VN02 016 0024 1C	
	0.5 mm ²	20	100	VN01 016 0025 1C	VN02 016 0025 1C	
	0.75 - 1.0 mm ²	20-16	100	VN01 016 0026 1C	VN02 016 0026 1C	
	1.5 mm ²	16-15	100	VN01 016 0027 1C	VN02 016 0027 1C	
	2.5 mm ²	14	100	VN01 016 0028 1C	VN02 016 0028 1C	
gold plating	0.14 - 0.37 mm ²	26-22	100	VN01 016 0024 2C	VN02 016 0024 2C	
	0.5 mm ²	20	100	VN01 016 0025 2C	VN02 016 0025 2C	
	0.75 - 1.0 mm ²	20-16	100	VN01 016 0026 2C	VN02 016 0026 2C	
	1.5 mm ²	16-15	100	VN01 016 0027 2C	VN02 016 0027 2C	
	2.5 mm ²	14	100	VN01 016 0028 2C	VN02 016 0028 2C	

heavy|mate® Q Housings | Characteristics

General Characteristics	Standard	Value
Protection class housing		IP65
Locking system	DIN EN 175 301-801 (DIN 43 652)	locking levers
Salt mist resistance	IEC 60512-11-6:2002	>500h
Climatical Characteristics		
Climatic category	IEC 60068-1	40 / 125 / 21
Temperature range	IEC 60068-1	- 40 °C / + 125 °C
Upper temperature	IEC 60512-11-9	+ 125 °C
Lower temperature	IEC 60512-11-10	- 40 °C
Mechanical Characteristics		
Mechanical operation	IEC 60512-9-1	≥ 500 mating cycles
Materials		
Housings		PA 6.6
Rubber gasket		NBR
Locking lever		PA 6.6
Colour		black

Description	M	Part Number	Drawing	Figure
Hoods				
Hood top entry thermoplastic	25	C146 10R008 606 12		
Hood top entry metal		C146 10R008 550 12		
Hood side entry metal		C146 10R008 650 12		
Housings				
Housing thermoplastic		C146 10F008 001 12		
Housing metal		C146 30F008 001 12		



heavy | mate[®] Housings

Available Types

- **Standard-Housings IP65** see page 184
- **Housings in IP67** see page 222
- **Housings in IP68** see page 228
- **EMC-Housings** see page 236
- **Corrosion resistant Housings** see page 244



General information

- The connectors of our heavy|mate® series are designed for use in machine tools, general electric installations and applications as well as for industrial control and other electrical equipment. Other applications than the above mentioned are in the responsibility of the user.
- For cable to cable connections a suitable cable clamp has to be used.
- The indicated dimensions with the panel cut-outs represent reference values and are in the concrete application with products to be co-ordinated.
- The sealing area of the housing has to be level and free of burrs.
- Housings in accordance with DIN EN 175 301 - 801 (DIN 43 652) .

Range of housings

Size A3/4



Size A10



Size A16



Size A32



Size E6



Size E10



Size E16



Size E24



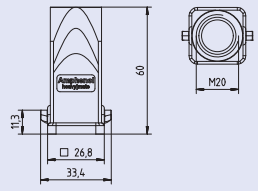

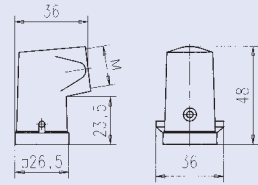

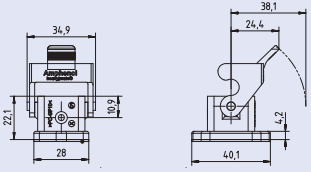

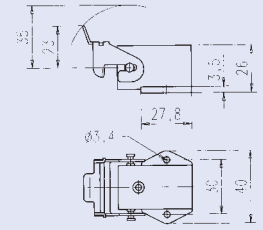

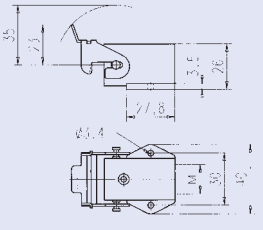

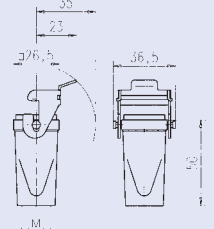

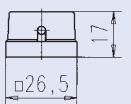

Size E48



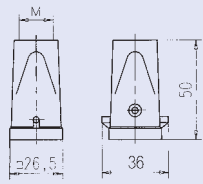

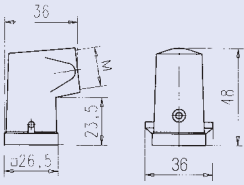

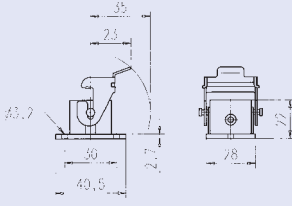

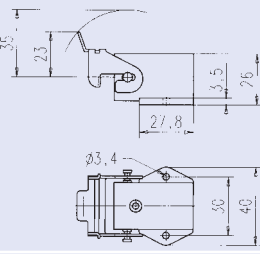

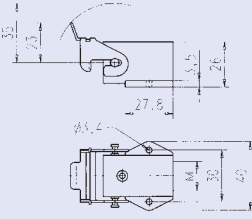

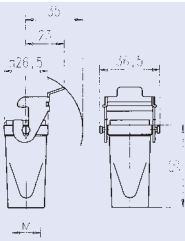

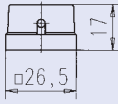

heavy|mate® Housings standard Characteristics

General Characteristics	Standard	Value
Protection class housing		IP65
Protection class spring cover locked unlocked spring loaded		IP65 IP54
Locking system	DIN EN 175 301-801 (DIN 43 652)	1 locking lever 2 locking levers
Climatical Characteristics		
Climatic category	IEC 60068-1	40 / 125 / 21
Temperature range	IEC 60068-1	- 40 °C / + 125 °C
Upper temperature	IEC 60512-11-9	+ 125 °C
Lower temperature	IEC 60512-11-10	- 40 °C
Mechanical Characteristics		
Mechanical operation	IEC 60512-9-1	≥ 500 mating cycles
Materials		
Housings	DIN EN 175 301-801 (DIN 43 652)	Aluminium die cast alloy
Thermoplastic housing		PA
Metal housing D 7		Zinc die cast alloy
Protective cover		PA
Rubber gasket		NBR
Locking lever		steel / zinc coated
Surface EMV housings		special surface

heavy|mate® Housings standard Housings thermoplastic Size A3/4

Description	M	Part Number	Drawing	Figure
Hoods				
Hood top entry	20	C146 10R003 600 4 C146 10R003 601 4 (black design)		
Hood side entry	20	C146 10R003 500 4		
Housings				
Housing bulkhead mounting with gasket	-	C146 10F003 000 4		
Housing bulkhead end mounting with gasket	-	C146 10F003 004 4		
Housing single side entry with gland bushing	20	C146 10N003 500 4		
Hood cable to cable coupling	20	C146 10R003 804 4		
Protective cover (only in connection with male insert)				
Cover for housings	-	C146 10Z003 100 4		

heavy|mate® Housings standard Housings metal Size A3/4

Description	M	Part Number	Drawing	Figure
Hoods				
Hood top entry	20	C146 30R003 600 4		
Hood side entry	20	C146 30R003 500 4		
Housings				
Housing bulkhead mounting with gasket	-	C146 30F003 000 4		
Housing bulkhead end mounting with gasket	-	C146 30F003 004 4		
Housing single side entry with gland bushing	20	C146 30N003 500 4		
Hood cable to cable coupling	20	C146 30R003 804 4		
Protective cover (only in connection with male insert)				
Cover for housings	-	C146 30Z003 100 4		

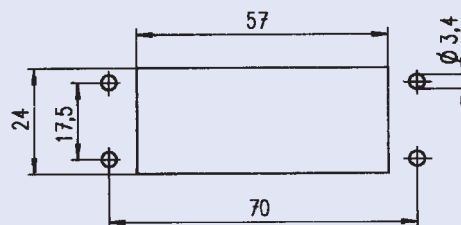
heavy|mate® Housings standard Size A10

Description	M	Part Number	Drawing	Figure	
Hoods					
Hood top entry low profile	20	C146 21R010 650 4			
	25	C146 21R010 600 4			
Hood top entry high profile	20	C146 21R015 650 2			
	25	C146 21R015 600 2			
Hood side entry low profile	20	C146 21R010 550 4			
	25	C146 21R010 500 4			
Hood side entry high profile	20	C146 21R015 550 2			
	25	C146 21R015 500 2			
Housings			h		
Hood coupling application low profile	20	C146 21R010 854 4	47.5		
	25	C146 21R010 804 4	47.5		
Hood coupling application high profile	20	C146 21R015 854 2	59		
	25	C146 21R015 804 2	59		
Housing bulkhead mounting with gasket	-	C146 10F015 000 2			
Housing bulkhead mounting with spring cover with gasket	-	C146 10F015 003 2			

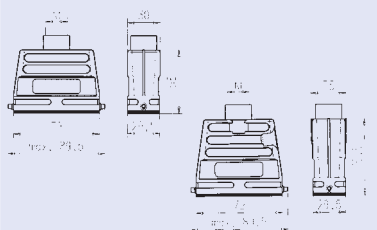

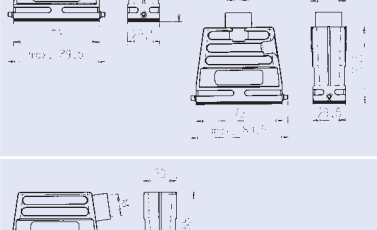

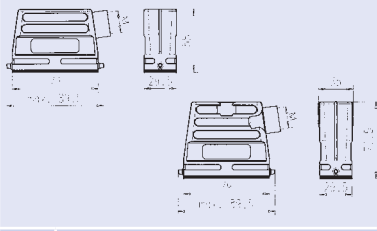

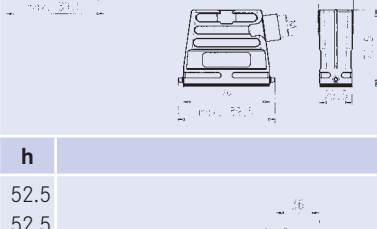

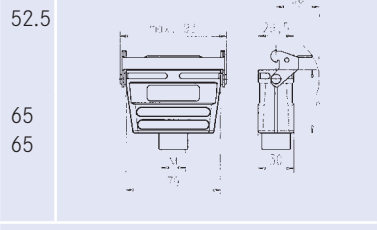

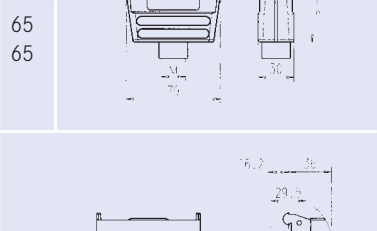

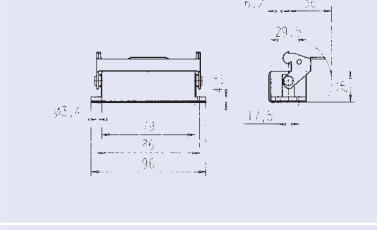

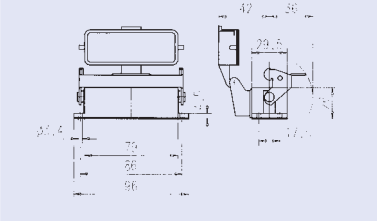

heavy|mate® Housings standard Size A10

Description	M	Part Number	Drawing	Figure
Housings				
Housing single side entry	25	C146 10N015 500 2	<p>1 closed if single entry</p>	
Housing double side entry	25	C146 10N015 600 2		
Housing with spring cover single side entry	25	C146 10N015 806 2	<p>1 closed if single entry</p>	
Housing with spring cover double side entry	20 25	C146 10N015 607 2 C146 10N015 606 2		
Protective cover				
Cover for housings	-	C146 10Z015 100 2		

Panel cut out for bulkhead mounting



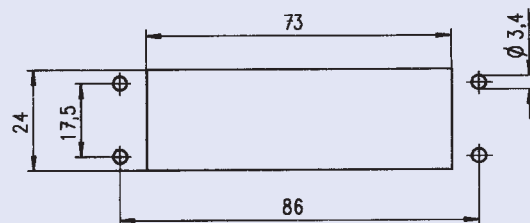
heavy|mate® Housings standard Size A16

Description	M	Part Number	Drawing	Figure	
Hoods					
Hood top entry low profile	20	C146 21R016 650 4			
	25	C146 21R016 600 4			
Hood top entry high profile	20	C146 21R025 650 2			
	25	C146 21R025 600 2			
Hood side entry low profile	20	C146 21R016 550 4			
	25	C146 21R016 500 4			
Hood side entry high profile	20	C146 21R025 550 2			
	25	C146 21R025 500 2			
Housings			h		
Hood coupling application low profile	20	C146 21R016 854 4	52.5		
	25	C146 21R016 804 4	52.5		
Hood coupling application high profile	20	C146 21R025 854 2	65		
	25	C146 21R025 804 2	65		
Housing bulkhead mounting with gasket	-	C146 10F025 000 2			
Housing bulkhead mounting with spring cover with gasket	-	C146 10F025 003 2			

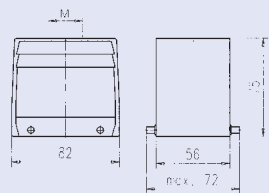

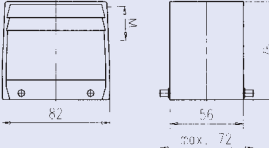

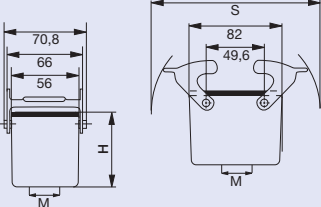

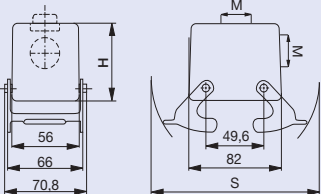

heavy|mate® Housings standard Size A16

Description	M	Part Number	Drawing	Figure
Housings				
Housing single side entry	25	C146 10N025 500 2	<p>1 closed if single entry</p>	
Housing double side entry	20 25	C146 10N025 601 2 C146 10N025 600 2		
Housing with spring cover single side entry	25	C146 10N025 806 2	<p>1 closed if single entry</p>	
Housing with spring cover double side entry	20 25	C146 10N025 607 2 C146 10N025 606 2		
Protective cover				
Cover for housings	-	C146 10Z025 100 2		


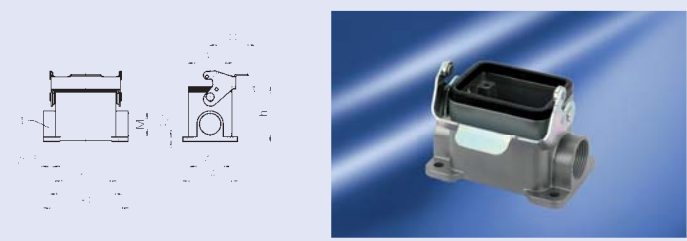

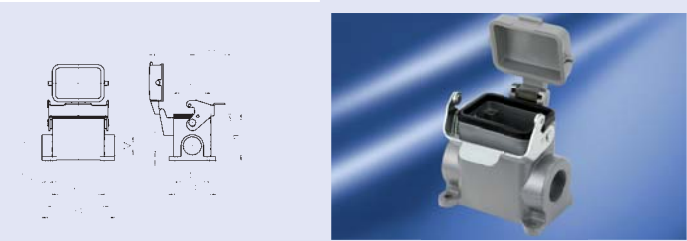

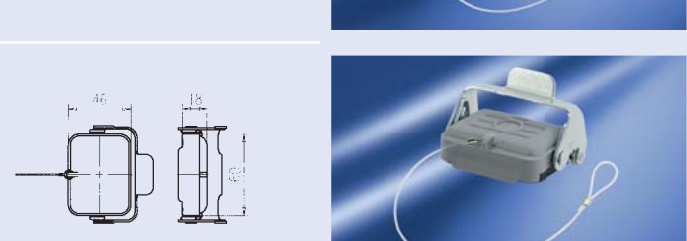
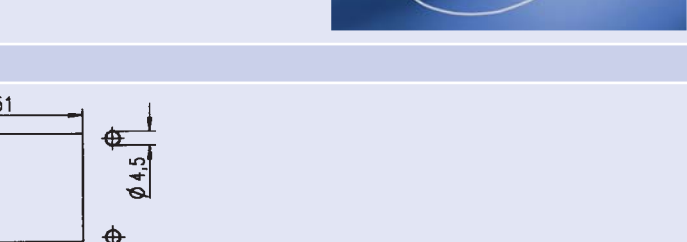
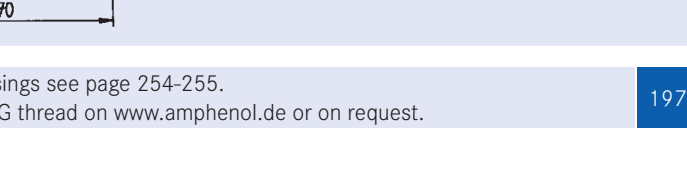
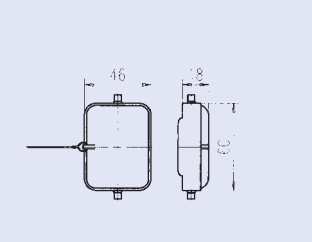

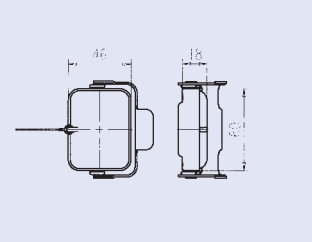

Panel cut out for bulkhead mounting



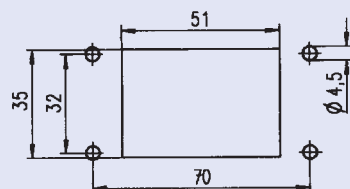
heavy|mate® Housings standard Size A32

Description	M	Part Number	Drawing	Figure
Hoods				
Hood top entry	25 32 40	C146 21R032 650 4 C146 21R032 600 4 C146 21R032 601 4		
Hood side entry	25 32 40	C146 21R032 550 4 C146 21R032 500 4 C146 21R032 501 4		
Hood coupling application	25 32 40	C146 21R032 852 4 C146 21R032 802 4 C146 21R032 803 4		
Hood side entry	25 32	C146 21R032 552 4 C146 21R032 502 4		

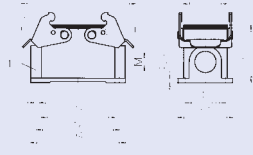

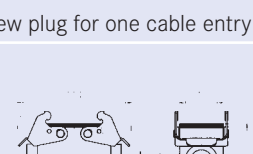

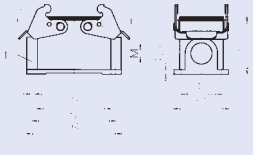

Description	M	Part Number	Drawing	Figure	
Hoods					
Hood top entry low profile	16	C146 21R006 656 1			
	20	C146 21R006 606 1			
Hood top entry high profile	25	C146 21R006 656 8			
	32	C146 21R006 606 8			
Hood side entry low profile	20	C146 21R006 506 1			
	25	C146 21R006 507 1			
Hood side entry high profile	25	C146 21R006 556 8			
	32	C146 21R006 506 8			
Housings			h		
Hood coupling application low profile	20	C146 21R006 804 1	52		
	25	C146 21R006 854 8	70		
Housing bulkhead mounting with gasket	-	C146 10F006 000 1			
Housing bulkhead mounting with thermoplastic spring cover with gasket	-	C146 10F006 003 1			
Housing bulkhead mounting with metal spring cover with gasket	-	C146 30F006 003 1			

Description	M	Part Number	Drawing	Figure
Housings				
Housing single side entry low profile	20	C146 10N006 803 1	57	
Housing single side entry high profile	32	C146 10N006 802 2	74	
Housing double side entry low profile	20	C146 10N006 603 1	57	
Housing double side entry high profile	25 32	C146 10N006 603 2 C146 10N006 602 2	74 74	
Housing with spring cover single side entry low profile	20 25	C146 10N006 807 1 C146 10N006 806 1	57 57	
Housing with spring cover single side entry high profile	25 32	C146 10N006 807 2 C146 10N006 806 2	74 74	
Housing with spring cover double side entry low profile	20	C146 10N006 607 1	57	
Housing with spring cover double side entry high profile	25 32	C146 10N006 607 2 C146 10N006 606 2	74 74	
Protective cover				
Cover for housings	-	C146 10Z006 100 1		
Cover for hoods	-	C146 10Z006 200 1		

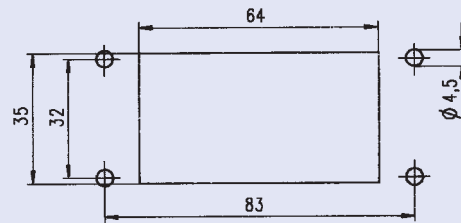
Panel cut out for bulkhead mounting



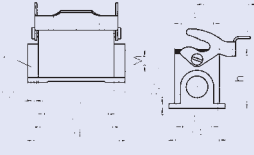
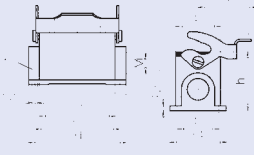

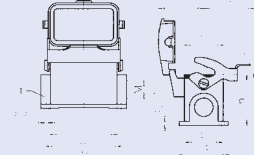
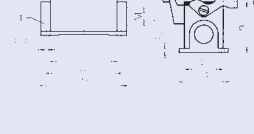
Description	M	Part Number	Drawing	Figure
Hoods				
Hood top entry low profile	20	C146 21R010 650 1		
	25	C146 21R010 600 1		
Hood top entry high profile	25	C146 21R010 650 8		
	32	C146 21R010 600 8		
Hood side entry low profile	20	C146 21R010 550 1		
	25	C146 21R010 500 1		
Hood side entry high profile	25	C146 21R010 550 8		
	32	C146 21R010 500 8		
Housings			h	
Hood coupling application low profile	20	C146 21R010 852 1		
	25	C146 21R010 802 1		
Hood coupling application high profile	25	C146 21R010 852 8		
	32	C146 21R010 802 8		
Housing bulkhead mounting with gasket	-	C146 10F010 000 1		
Right-angled housing with gasket	-	C146 10F010 090 1		

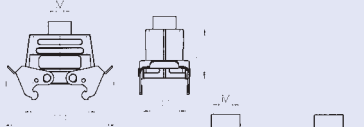

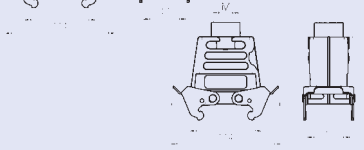

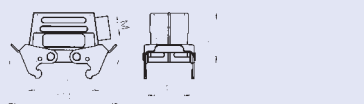

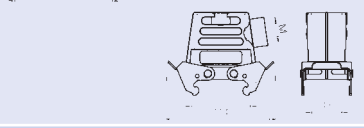

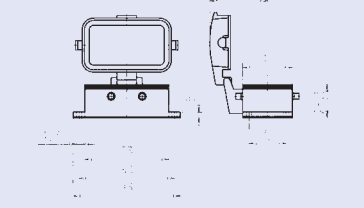

Description	M	Part Number	Drawing	Drawing
Housings			h	
Housing single side entry low profile	20	C146 10N010 501 1	57	 
	25	C146 10N010 500 1	57	
Housing single side entry high profile	25	C146 10N010 501 2	74	 
	32	C146 10N010 500 2	74	
			Screw plug for one cable entry	
Housing double side entry low profile	20	C146 10N010 601 1	57	 
	25	C146 10N010 601 2	74	
Housing double side entry high profile	32	C146 10N010 600 2	74	

Panel cut out for bulkhead mounting



Description	M	Part Number	Drawing	Figure	
Hoods					
Hood top entry low profile	20	C146 21R010 656 1			
	25	C146 21R010 606 1			
	32	C146 21R010 607 1			
Hood top entry high profile	25	C146 21R010 656 8			
	32	C146 21R010 606 8			
	40	C146 21R010 607 8			
Hood side entry low profile	20	C146 21R010 556 1			
	25	C146 21R010 506 1			
Hood side entry high profile	25	C146 21R010 556 8			
	32	C146 21R010 506 8			
Housings			h		
Hood coupling application low profile	20	C146 21R010 854 1	51		
	25	C146 21R010 804 1	51		
	32	C146 21R010 805 1	51		
Hood coupling application high profile	25	C146 21R010 854 8	70		
	32	C146 21R010 804 8	70		
	40	C146 21R010 805 8	70		
Housing bulkhead mounting with gasket	-	C146 10F010 001 1			
Housing bulkhead mounting with thermoplastic spring cover with gasket	-	C146 10F010 003 1			
Housing bulkhead mounting with metal spring cover with gasket	-	C146 30F010 003 1			

Description	M	Part Number	h	Drawing	Figure
Housings				h	
Housing single side entry low profile	20	C146 10N010 803 1	57		
Housing single side entry high profile	25	C146 10N010 803 2	74		
	32	C146 10N010 802 2	74		
				1 closed if single entry	
Housing double side entry low profile	20	C146 10N010 603 1	57		
Housing double side entry high profile	25	C146 10N010 603 2	74		
Housing with spring cover single side entry low profile	20	C146 10N010 807 1	57		
Housing with spring cover single side entry high profile	25	C146 10N010 807 2	74		
	32	C146 10N010 806 2	74		
				1 closed if single entry	
Housing with spring cover double side entry low profile	20	C146 10N010 607 1	57		
Housing with spring cover double side entry high profile	25	C146 10N010 607 2	74		
	32	C146 10N010 606 2	74		

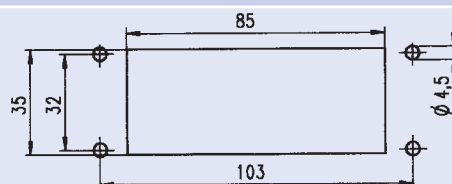
Description	M	Part Number	Drawing	Figure
Hoods				
Hood top entry low profile	20	C146 21R010 652 1		
Hood top entry high profile	25 32	C146 21R010 652 8 C146 21R010 602 8		
Hood side entry low profile	20	C146 21R010 552 1		
Hood side entry high profile	25 32	C146 21R010 552 8 C146 21R010 502 8		
Housings				
Housing with spring cover with gasket	-	C146 10F010 002 1		

Description	M	Part Number	Drawing	Figure
Housings			h	
Housing single side entry low profile	20	C146 10N010 509 1	57	
Housing single side entry high profile	32	C146 10N010 508 2	74	
			1 closed if single entry	
Housing double side entry low profile	20	C146 10N010 609 1	57	
Housing double side entry high profile	25	C146 10N010 609 2	74	
Housing with spring cover single side entry low profile	20	C146 10N010 805 1	57	
Housing with spring cover single side entry high profile	32	C146 10N010 804 2	74	
			1 closed if single entry	
Housing with spring cover double side entry low profile	20	C146 10N010 605 1	57	
Housing with spring cover double side entry high profile	32	C146 10N010 604 2	74	


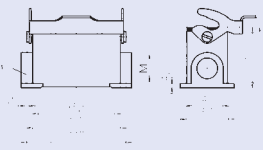

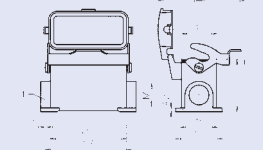

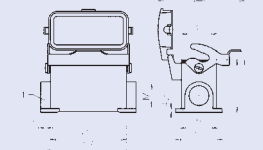
Description	M	Part Number	Drawing	Figure
Hoods				
Hood 2 top entry high profile	25	C146 10R010 902 8		
Protective cover (only in connection with male insert)				
Cover for housings	-	C146 10Z010 100 1		
Cover for hoods	-	C146 10Z010 200 1		
Further special housings on request.				

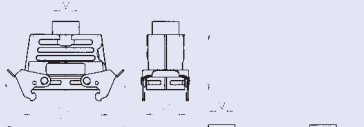

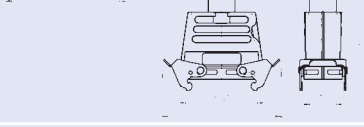

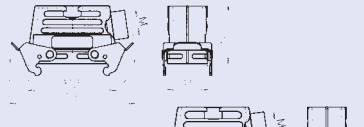



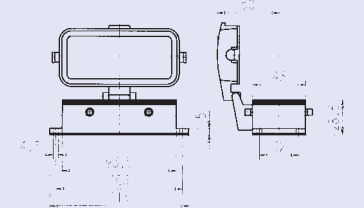

Description	M	Part Number	Drawing	Figure	
Hoods					
Hood top entry low profile	25	C146 21R016 650 1			
	32	C146 21R016 600 1			
Hood top entry high profile	32	C146 21R016 600 8			
	40	C146 21R016 601 8			
Hood side entry low profile	25	C146 21R016 550 1			
	32	C146 21R016 500 1			
Hood side entry high profile	32	C146 21R016 500 8			
	40	C146 21R016 501 8			
Housings			h		
Hood coupling application low profile	25	C146 21R016 852 1	62		
	32	C146 21R016 802 1	62		
Hood coupling application high profile	32	C146 21R016 802 8	76		
	40	C146 21R016 803 8	76		
Housing bulkhead mounting with gasket	-	C146 10F016 000 1			
Housing single side entry low profile	25	C146 10N016 500 1	64		
Housing single side entry high profile	32	C146 10N016 500 2	77		
			1 closed if single entry		
Housing double side entry low profile	25	C146 10N016 600 1	64		
Housing double side entry high profile	25 32	C146 10N016 601 2 C146 10N016 600 2	77 77		

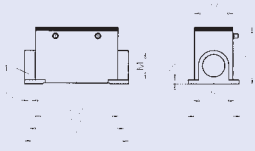

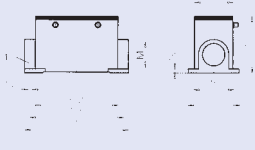

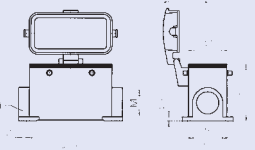

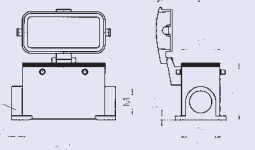

Panel cut out for bulkhead mounting

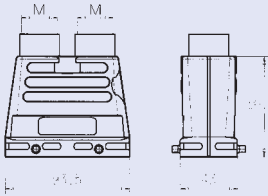

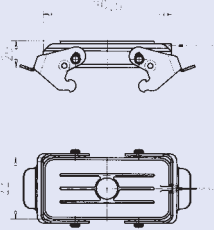

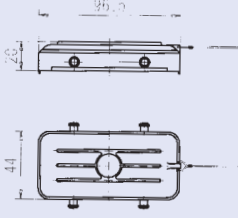



Description	M	Part Number	Drawing	Figure
Hoods				
Hood top entry low profile	25	C146 21R016 656 1		
	32	C146 21R016 606 1		
Hood top entry high profile	32	C146 21R016 606 8		
	40	C146 21R016 607 8		
Hood side entry low profile	25	C146 21R016 556 1		
	32	C146 21R016 506 1		
Hood side entry high profile	32	C146 21R016 506 8		
	40	C146 21R016 507 8		
Housings			h	
Hood coupling application low profile	25	C146 21R016 854 1		
	32	C146 21R016 804 1		
Hood coupling application high profile	32	C146 21R016 804 8		
	40	C146 21R016 805 8		
Housing bulkhead mounting with gasket	-	C146 10F016 001 1		
Housing bulkhead mounting with thermoplastic spring cover with gasket	-	C146 10F016 003 1		
Housing bulkhead mounting with metal spring cover with gasket	-	C146 30F016 003 1		

Description	M	Part Number	Drawing	Figure
Housings			h	
Housing single side entry low profile	25	C146 10N016 802 1	64	 
Housing single side entry high profile	32	C146 10N016 802 2	77	
Housing double side entry low profile	25	C146 10N016 602 1	64	 
Housing double side entry high profile	25 32	C146 10N016 603 2 C146 10N016 602 2	77 77	
Housing with spring cover single side entry low profile	25	C146 10N016 806 1	64	 
Housing with spring cover single side entry high profile	32	C146 10N016 806 2	77	
Housing with spring cover double side entry low profile	25	C146 10N016 606 1	64	 
Housing with spring cover double side entry high profile	25 32	C146 10N016 607 2 C146 10N016 606 2	77 77	

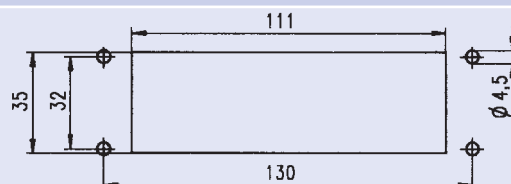
Description	M	Part Number	Drawing	Figure
Hoods				
Hood top entry low profile	25	C146 21R016 652 1		
	32	C146 21R016 602 1		
Hood top entry high profile	32	C146 21R016 602 8		
	40	C146 21R016 603 8		
Hood side entry low profile	25	C146 21R016 552 1		
	32	C146 21R016 502 1		
Hood side entry high profile	32	C146 21R016 502 8		
	40	C146 21R016 503 8		
Housings				
Housing bulkhead mounting with spring cover with gasket	-	C146 10F016 002 1		

Description	M	Part Number	h	Drawing	Figure
Housings					
Housing single side entry low profile	25	C146 10N016 508 1	64		
Housing single side entry high profile	32	C146 10N016 508 2	77		
				1 closed if single entry	
Housing double side entry low profile	25	C146 10N016 608 1	64		
Housing double side entry high profile	32	C146 10N016 608 2	77		
Housing with spring cover single side entry low profile	25	C146 10N016 804 1	64		
Housing with spring cover single side entry high profile	32	C146 10N016 804 2	77		
				1 closed if single entry	
Housing with spring cover double side entry low profile	25	C146 10N016 604 1	64		
Housing with spring cover double side entry high profile	32	C146 10N016 604 2	77		

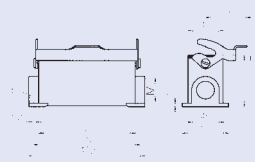

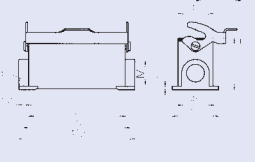

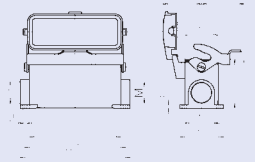

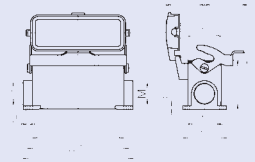

Description	M	Part Number	Drawing	Figure
Hoods				
Hood 2 top entry high profile	25 32	C146 10R016 910 8 C146 10R016 902 8		
Protective cover (only in connection with male insert)				
Cover for housings	-	C146 10Z016 100 1		
Cover for hoods	-	C146 10Z016 200 1		
Further special housings on request.				

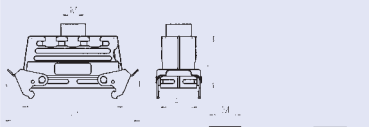

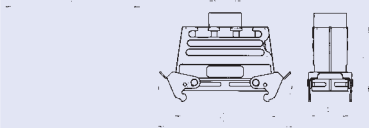

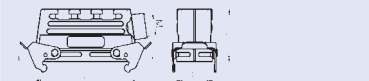

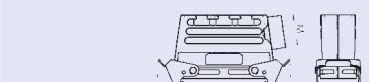

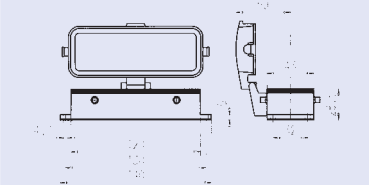

Description	M	Part Number	Drawing	Figure	
Hoods					
Hood top entry low profile	25	C146 21R024 650 1			
	32	C146 21R024 600 1			
Hood top entry high profile	32	C146 21R024 600 8			
	40	C146 21R024 601 8			
Hood side entry low profile	25	C146 21R024 550 1			
	32	C146 21R024 500 1			
Hood side entry high profile	32	C146 21R024 500 8			
	40	C146 21R024 501 8			
Housings			h		
Hood coupling application low profile	25	C146 21R024 852 1	62		
	32	C146 21R024 802 1	62		
Hood coupling application high profile	32	C146 21R024 802 8	76		
	40	C146 21R024 803 8	76		
Housing bulkhead mounting with gasket	-	C146 10F024 000 1			
Housing single side entry low profile	25	C146 10N024 500 1	64		
Housing single side entry high profile	32	C146 10N024 500 2	80		
			1 closed if single entry		
Housing double side entry low profile	25	C146 10N024 600 1	64		
Housing double side entry high profile	25 32	C146 10N024 601 2 C146 10N024 600 2	80 80		

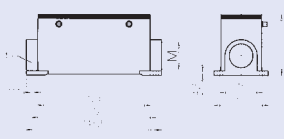

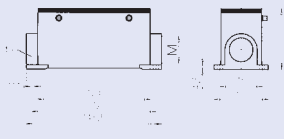

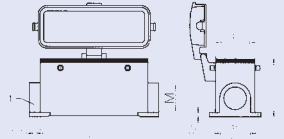

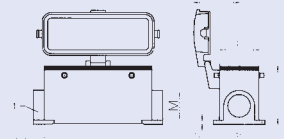

Panel cut out for bulkhead mounting

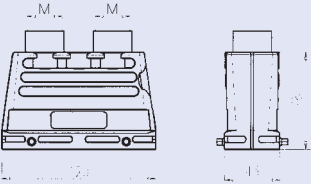

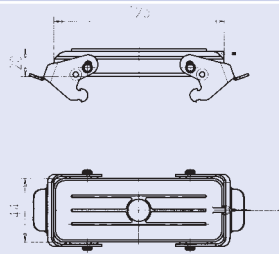

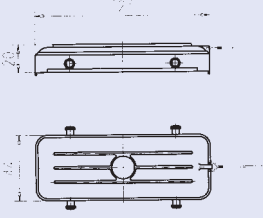
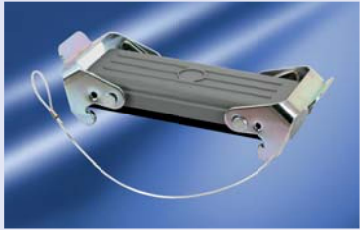


Description	M	Part Number	Drawing	Figure	
Hoods					
Hood top entry low profile	25	C146 21R024 656 1			
	32	C146 21R024 606 1			
Hood top entry high profile	32	C146 21R024 606 8			
	40	C146 21R024 607 8			
Hood side entry low profile	25	C146 21R024 556 1			
	32	C146 21R024 506 1			
Hood side entry high profile	32	C146 21R024 506 8			
	40	C146 21R024 507 8			
Housings			h		
Hood coupling application low profile	25	C146 21R024 854 1	62		
	32	C146 21R024 804 1	62		
Hood coupling application high profile	32	C146 21R024 804 8	76		
	40	C146 21R024 805 8	76		
Housing bulkhead mounting with gasket	-	C146 10F024 001 1			
Housing bulkhead mounting with thermoplastic spring cover with gasket	-	C146 10F024 003 1			
Housing bulkhead mounting with metal spring cover with gasket	-	C146 30F024 003 1			

Description	M	Part Number	h	Drawing	Figure
Hoods				h	
Housing single side entry low profile	25	C146 10N024 802 1	64		
Housing single side entry high profile	32	C146 10N024 802 2	80		
				1 closed if single entry	
Housing double side entry low profile	25	C146 10N024 602 1	64		
Housing double side entry high profile	32	C146 10N024 602 2	80		
Housing with spring cover single side entry low profile	25	C146 10N024 806 1	64		
Housing with spring cover single side entry high profile	32	C146 10N024 806 2	80		
				1 closed if single entry	
Housing with spring cover double side entry low profile	25	C146 10N024 606 1	64		
Housing with spring cover double side entry high profile	32	C146 10N024 607 2 C146 10N024 606 2	80		

Description	M	Part Number	Drawing	Figure
Hoods				
Hood top entry low profile	25	C146 21R024 652 1		
	32	C146 21R024 602 1		
Hood top entry high profile	32	C146 21R024 602 8		
	40	C146 21R024 603 8		
Hood side entry low profile	25	C146 21R024 552 1		
	32	C146 21R024 502 1		
Hood side entry high profile	32	C146 21R024 502 8		
	40	C146 21R024 503 8		
Housings				
Housing bulkhead mounting with spring cover with gasket	-	C146 10F024 002 1		

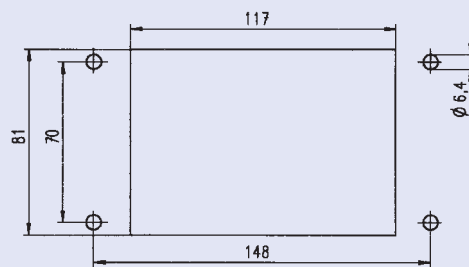
Description	M	Part Number	Drawing	Figure
Housings			h	
Housing single side entry low profile	25	C146 10N024 508 1	64	 
Housing single side entry high profile	32	C146 10N024 508 2	80	
			1 closed if single entry	
Housing double side entry low profile	25	C146 10N024 608 1	64	 
Housing double side entry high profile	32	C146 10N024 608 2	80	
Housing with spring cover single side entry low profile	25	C146 10N024 804 1	64	 
Housing with spring cover single side entry high profile	32	C146 10N024 804 2	80	
			1 closed if single entry	
Housing with spring cover double side entry low profile	25	C146 10N024 604 1	64	 
Housing with spring cover double side entry high profile	32	C146 10N024 604 2	80	
			1 closed if single entry	
			2 closed if double entry	

Description	M	Part Number	Drawing	Figure
Hoods				
Hood 2 top entry high profile	32	C146 10R024 903 8		
	40	C146 10R024 908 8		
Protective cover (only in connection with male insert)				
Cover for housings	-	C146 10Z024 100 1		
Cover for hoods	-	C146 10Z024 200 1		
Further special housings on request.				

Description	M	Part Number	Drawing	Figure
Hoods				
Hood top entry low profile	40	C146 21R048 607 1		
	50	C146 21R048 608 1		
Hood top entry high profile	40	C146 21R048 507 1		
	50	C146 21R048 508 1		
Hood side entry low profile	40	C146 21R048 507 1		
	50	C146 21R048 508 1		
Hood side entry high profile	40	C146 21R048 507 1		
	50	C146 21R048 508 1		

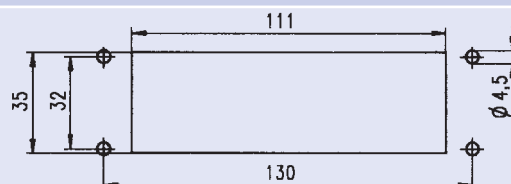
Description	M	Part Number	Drawing	Figure
Hoods				
Housing bulkhead mounting with gasket	-	C146 10F048 001 1		
Housing bulkhead mounting with spring cover with gasket	-	C146 10F048 003 1		
Housing single side entry	40	C146 10N048 803 1		
Housing with spring cover	40	C146 10N048 807 1		

Panel cut out for bulkhead mounting



Description	M	Part Number	Drawing	Figure
Hoods				
Hood top entry low profile	25	C146 10R024 650 3		
	32	C146 10R024 600 3		
Hood side entry low profile	25	C146 10R024 550 3		
	32	C146 10R024 500 3		
Housings				
Hood coupling application low profile	25	C146 10R024 852 3		
	32	C146 10R024 802 3		
Housing bulkhead mounting with gasket	-	C146 10F024 000 3		
Housing single side entry low profile	25	C146 10N024 500 3	<p>1 closed if single entry</p>	
Housing double side entry low profile	25	C146 10N024 600 3		

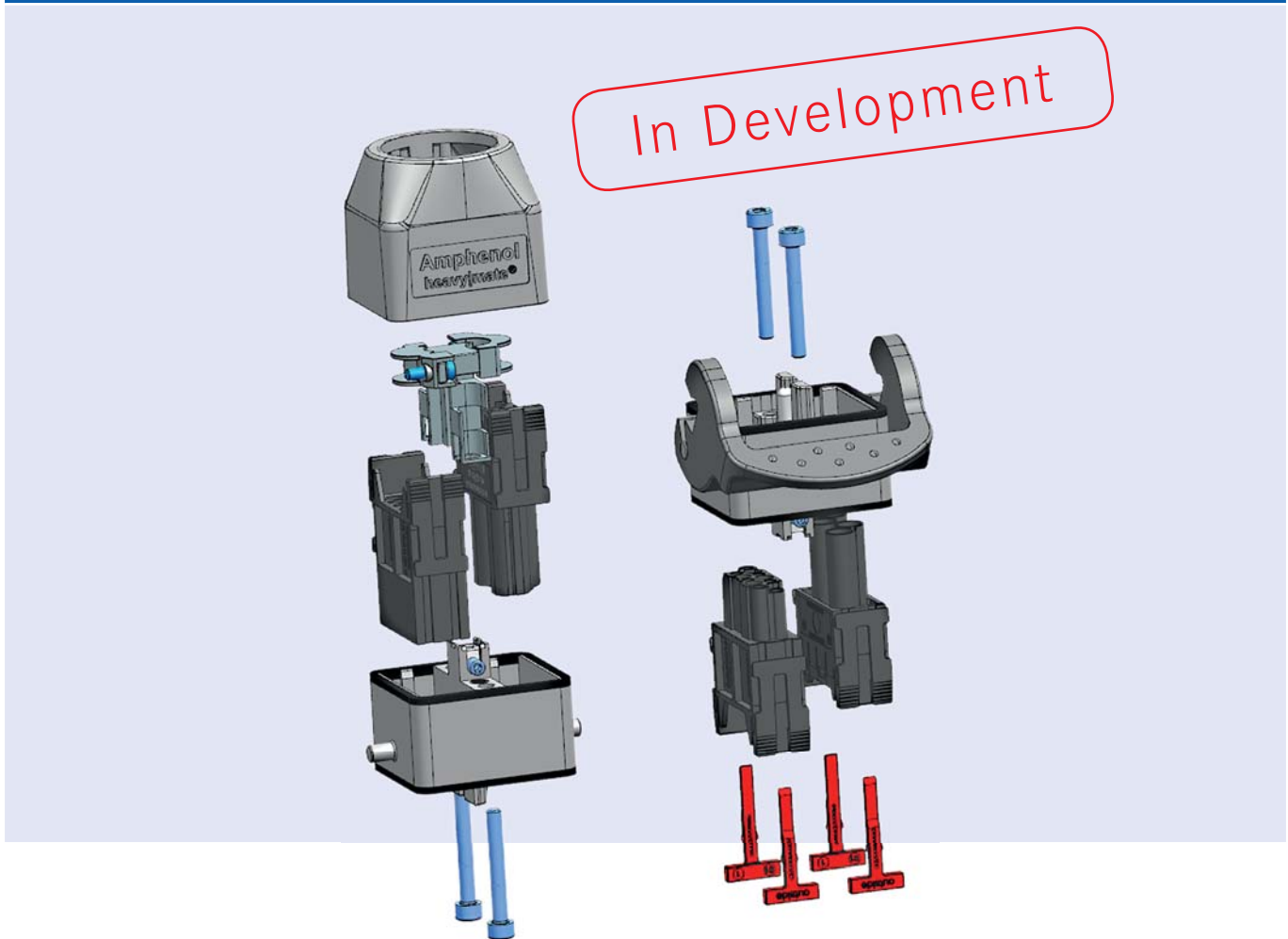
Panel cut out for bulkhead mounting



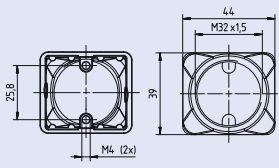
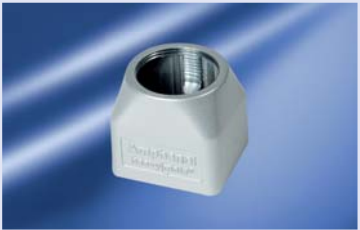
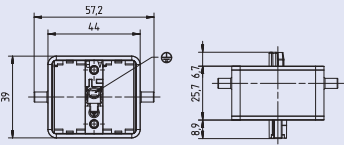

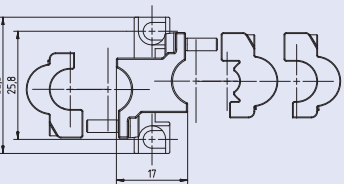

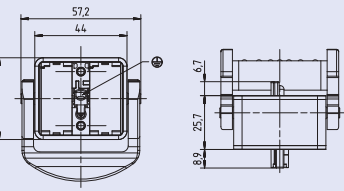

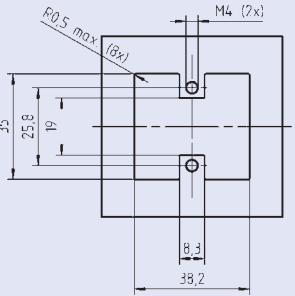
heavy|mate® Twin Housings Series F | Characteristics

General Characteristics	Standard	Value
Entry		M32 x 1.5 top entry
Protection class housing		IP65
Number of modules		2
Number of contacts		1 x PE
Wire Gauge		0.5 - 6 mm ² (AWG 20-10)
Locking system		locking levers
Climatical Characteristics		
Temperature range		- 40 °C / + 125 °C
Mechanical Characteristics		
Mechanical operation	IEC 60512-9-1	≥ 500 mating cycles
Materials		
Housings		Zinc die cast alloy
Colour housings		grey
Rubber gasket		HNBR
Surface		nickel plated

Schematic construction



heavy|mate® Twin Housings Series F

Description	M	Part Number	Drawing	Figure
Hoods				
Hood	32	C146 21R002 600 15		
Carrier hood	-	C146 21R002 000 15		
Shielding frame	-	C146 G05 003 G15		
Housings				
Housing bulkhead mounting	-	C146 10F002 000 15		
Panel cut out for bulkhead mounting				
				

heavy | mate[®] Housings

- Housings in IP67

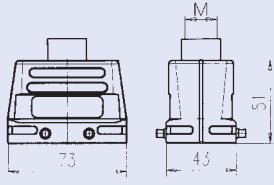

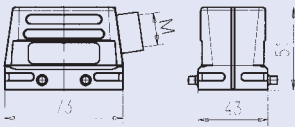

heavy|mate® Housings IP67 Characteristics

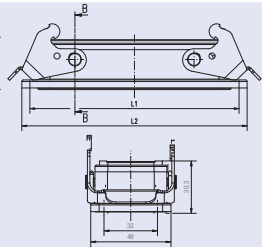

General Characteristics	Standard	Value
Protection class housing		IP67
Locking system		2 locking levers
Climatical Characteristics		
Climatic category	IEC 60068-1	40 / 125 / 21
Temperature range	IEC 60068-1	- 40 °C / + 125 °C
Upper temperature	IEC 60512-11-9	+ 125 °C
Lower temperature	IEC 60512-11-10	- 40 °C
Mechanical Characteristics		
Mechanical operation	IEC 60512-9-1	≥ 500 mating cycles
Materials		
Housings		Aluminium die cast alloy
Colour housings		grey
Rubber gasket		CR
Locking lever		steel / zinc coated
Surface		powder coating

heavy|mate® Housings IP67 Size E6

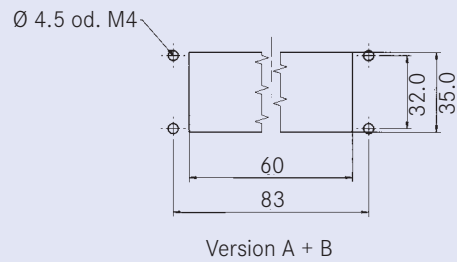
Description	M	Part Number	Drawing	Figure
Hoods				
Hood top entry	25	C146 67R006 607 1		
Hood side entry	25	C146 67R006 507 1		
Housings			L1	L2
Housing bulkhead mounting		C146 67F006 000 8	70	80
Panel cut out for bulkhead mounting				
<p>Version A + B</p>				

heavy|mate® Housings IP67 Size E10

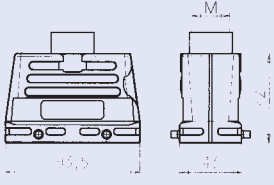

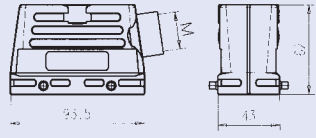

Description	M	Part Number	Drawing	Figure
Hoods				
Hood top entry	25	C146 67R010 600 1		
Hood side entry	25	C146 67R010 500 1		

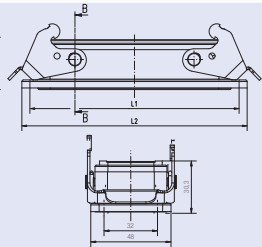

Housings		L1	L2		
Housing bulkhead mounting	C146 67F010 000 8	83	93		

Panel cut out for bulkhead mounting

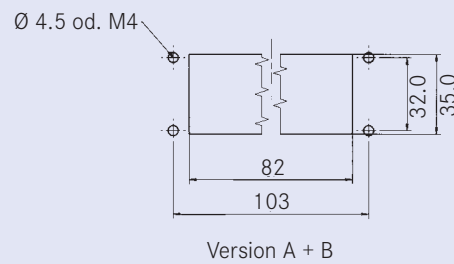


heavy|mate® Housings IP67 Size E16

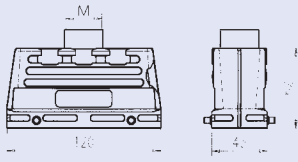

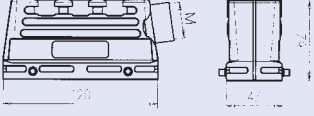

Description	M	Part Number	Drawing	Figure
Hoods				
Hood top entry	32	C146 67R016 600 8		
Hood side entry	32	C146 67R016 500 8		

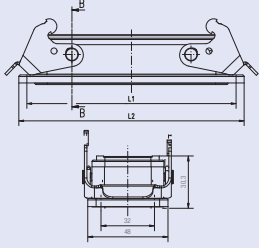

Housings		L1	L2		
Housing bulkhead mounting	C146 67F016 000 8	103	113		

Panel cut out for bulkhead mounting

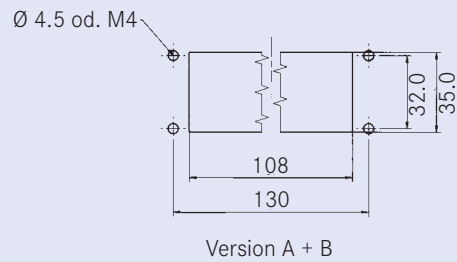


heavy|mate® Housings IP67 Size E24

Description	M	Part Number	Drawing	Figure
Hoods				
Hood top entry	40	C146 67R024 601 8		
Hood side entry	40	C146 67R024 501 8		

Housings		L1	L2		
Housing bulkhead mounting	C146 67F024 000 8	130	140		

Panel cut out for bulkhead mounting



A high-speed train, primarily red and grey, is shown from a low angle on a track. The train is moving towards the right. The background features a steep, green hillside with a small white building, a blue lake, and rolling green hills under a clear blue sky. Power lines for the train are visible overhead.

heavy | mate[®] Housings

- Housings in IP68

heavy|mate® Housings IP68 Characteristics

General Characteristics	Standard	Value
Protection class housing		IP68 / IP69K
Locking system		screw M6
Climatical Characteristics		
Climatic category	IEC 60068-1	40 / 125 / 21
Temperature range	IEC 60068-1	- 40 °C / + 125 °C
Upper temperature	IEC 60512-11-9	+ 125 °C
Lower temperature	IEC 60512-11-10	- 40 °C
Mechanical Characteristics		
Mechanical operation	IEC 60512-9-1	≥ 500 mating cycles
Materials		
Housings		Aluminium die cast alloy
Colour housings		black – similar to RAL 9005
Rubber gasket		NBR
Locking lever		stainless steel
Surface		powder coating

heavy|mate® Housings IP68 Size A3

Description	M	Part Number	Drawing	Figure
Hoods				
Hood top entry	20	C146 68R003 600 4		
Housings				
Housing bulkhead mounting		C146 68F003 000 4		
Panel cut out for bulkhead mounting				

Description	M	Part Number	Drawing	Figure
Hoods				
Hood top entry	32	C146 68R006 600 8		
Hood side entry	32	C146 68R006 500 8		
Housings				
Housing bulkhead mounting		C146 68F006 001 1		
Housing	32	C146 68N006 500 2		
Panel cut out for bulkhead mounting				

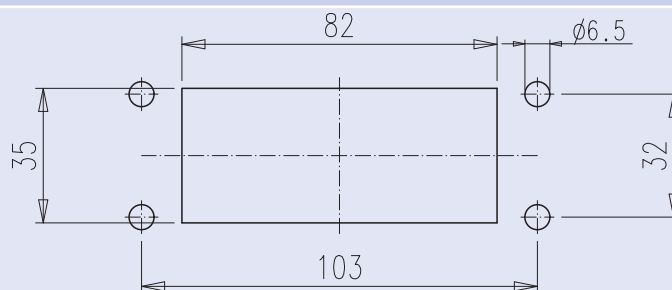
Description	M	Part Number	Drawing	Figure
Hoods				
Hood top entry	32	C146 68R010 600 8		
Hood side entry	32	C146 68R010 500 8		
Housings				
Housing bulkhead mounting		C146 68F010 001 1		
Housing	32	C146 68N010 500 2		
Panel cut out for bulkhead mounting				

heavy|mate® Housings IP68 Size E16

Description	M	Part Number	Drawing	Figure
Hoods				
Hood top entry	40	C146 68R016 601 8		
Hood side entry	40	C146 68R016 501 8		

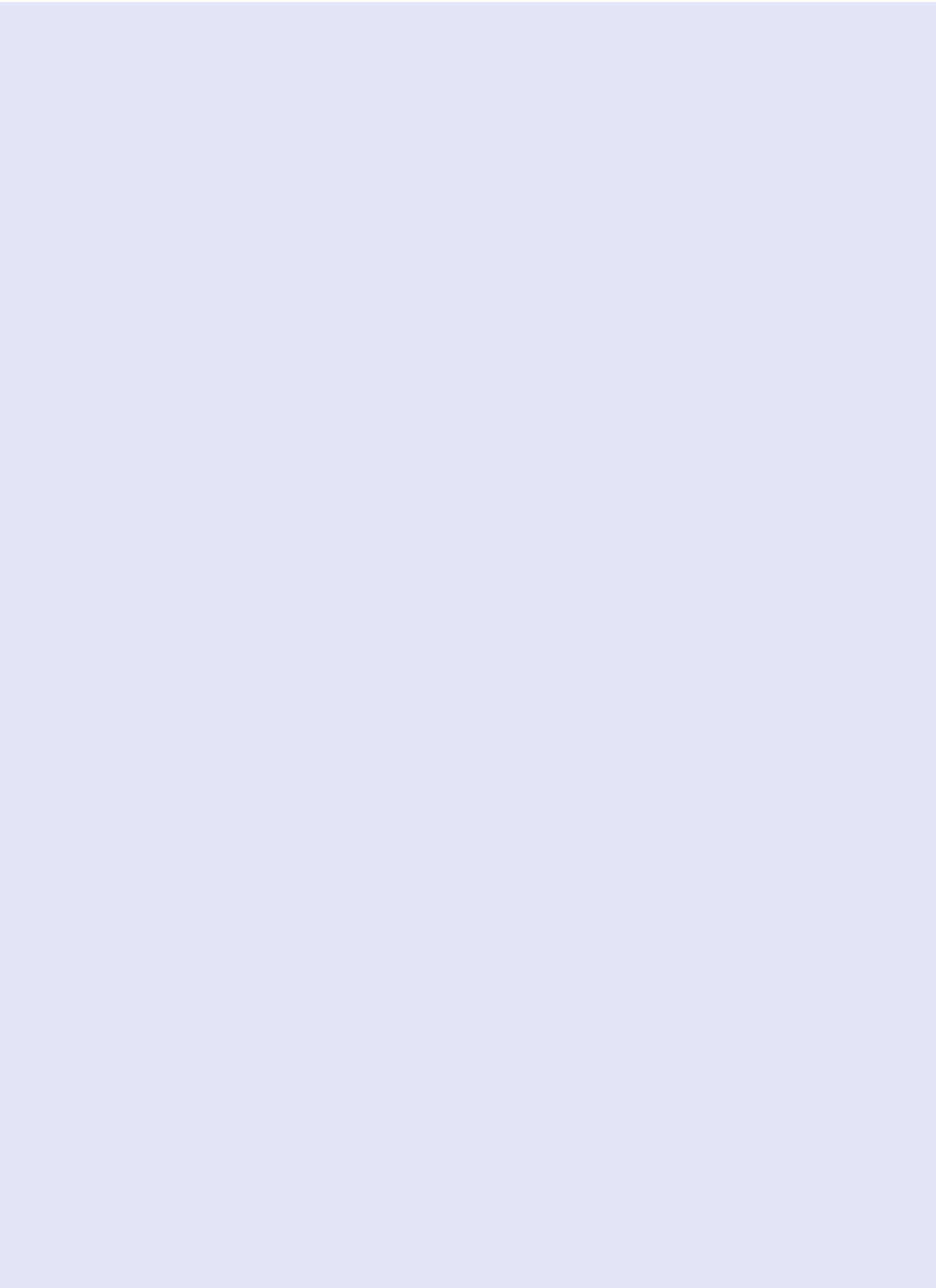
Housings				
Housing bulkhead mounting		C146 68F016 001 1		
Housing	32	C146 68N016 501 2		

Panel cut out for bulkhead mounting



heavy|mate® Housings IP68 Size E24

Description	M	Part Number	Drawing	Figure
Hoods				
Hood top entry	40	C146 68R024 601 8		
Hood side entry	40	C146 68R024 501 8		
Housings				
Housing bulkhead mounting		C146 68F024 001 1		
Housing	32	C146 68N024 501 2		
Panel cut out for bulkhead mounting				



heavy | mate[®] Housings

- EMC-Housings

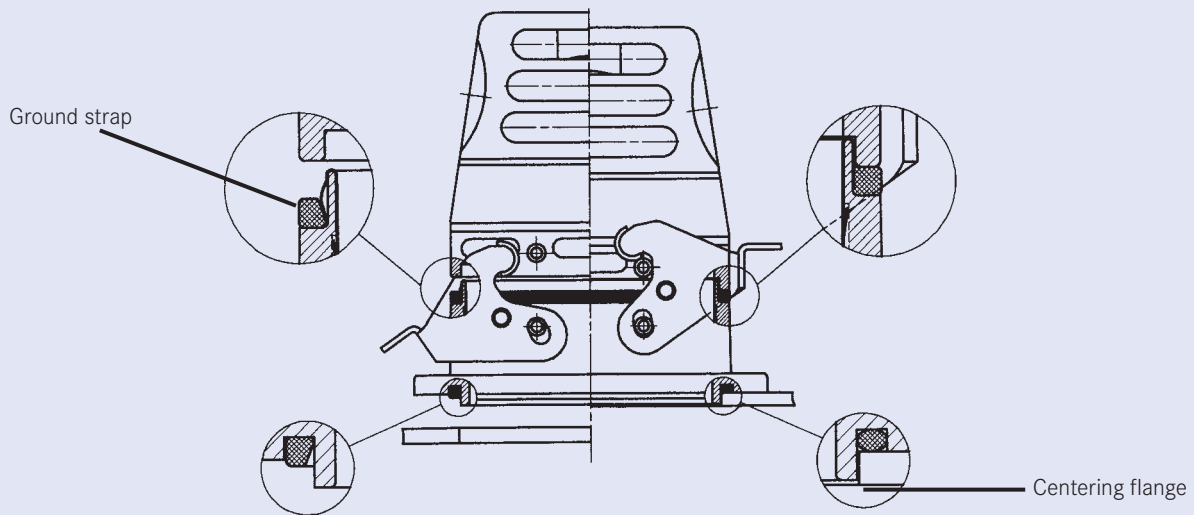


General information

- conductive surface
- standard locking levers
- same housing dimensions like standard housings
- two housing sizes
- with or without ground strap
- high attenuation
- protection class IP65
- mating cycles > 500



Concept

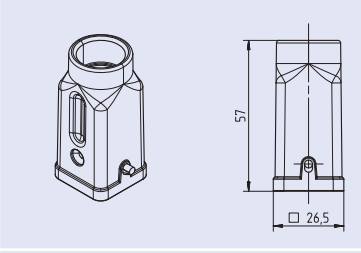

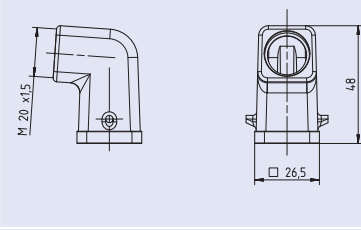

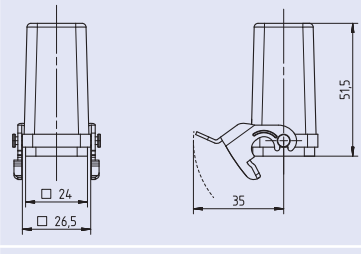

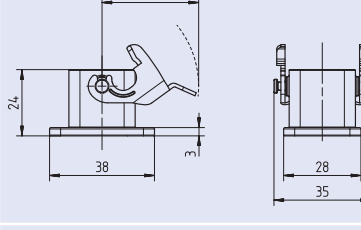

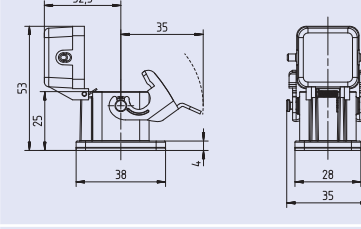

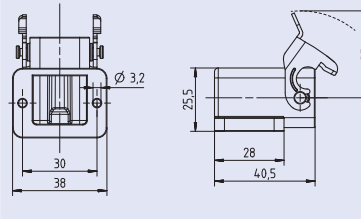



Range of housings in two housing sizes

Version A Standard flange without ground strap	Version B Standard flange with ground strap	Version C Centering flange with ground strap

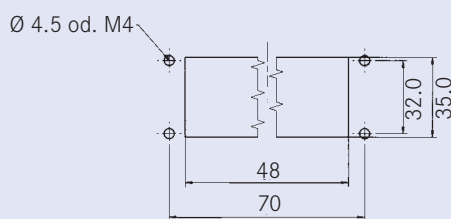
General Characteristics	Standard	Value
Protection class housing		IP65
Locking system		2 locking levers
Climatical Characteristics		
Climatic category	IEC 60068-1	40 / 125 / 21
Temperature range	IEC 60068-1	- 40 °C / + 125 °C
Upper temperature	IEC 60512-11-9	+ 125 °C
Lower temperature	IEC 60512-11-10	- 40 °C
Mechanical Characteristics		
Mechanical operation	IEC 60512-9-1	≥ 500 mating cycles
Materials		
Housings		Aluminium die cast alloy
Colour housings		grey – similar to RAL 9005
Rubber gasket		EPDM
Locking lever		steel / zinc coated
Surface		conducting special surface

heavy|mate® Housings EMC Size A3

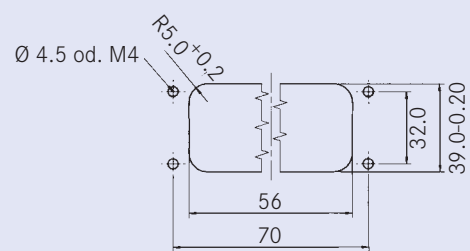
Description	M	Part Number	Drawing	Figure
Hoods				
Hood top entry	PG 11	C146 11R003 600 4		
Hood side entry	20	C146 11R003 500 4		
Housings				
Hood cable to cable coupling	20	C146 11R003 804 4		
Housing bulkhead mounting		C146 11F003 000 4		
Housing bulkhead mounting with spring cover		C146 11F003 003 4		
Housing		C146 11N003 500 4		

Description	M	Part Number	Drawing	Figure
Hoods				
Hood top entry low profile	20	C146 11R006 606 1		
	25	C146 11R006 607 1		
Hood top entry high profile	25	C146 11R006 656 8		
	32	C146 11R006 606 8		
Hood side entry low profile	16	C146 11R006 556 1		
	20	C146 11R006 506 1		
Hood side entry high profile	25	C146 11R006 556 8		
	32	C146 11R006 506 8		
Housings				
Housing bulkhead mounting Version A Standard flange without ground strap		C146 11F006 901 8		
Housing bulkhead mounting Version B Standard flange with ground strap		C146 11F006 902 8		
Housing bulkhead mounting Version C Centering flange with ground strap		C146 11F006 001 8		

Panel cut out for bulkhead mounting



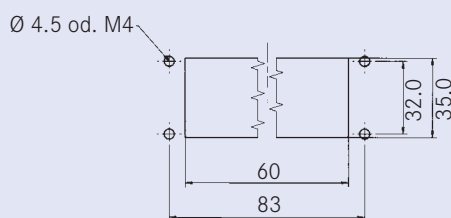
Version A + B



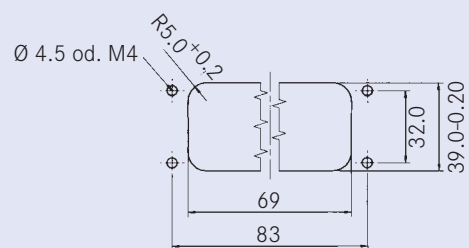
Version C

Description	M	Part Number	Drawing	Figure
Hoods				
Hood top entry low profile	20	C146 11R010 650 1		
	25	C146 11R010 600 1		
	32	C146 11R010 601 1		
Hood top entry high profile	25	C146 11R010 650 8		
	32	C146 11R010 600 8		
	40	C146 11R010 601 8		
Hood side entry low profile	20	C146 11R010 550 1		
	25	C146 11R010 500 1		
Hood side entry high profile	25	C146 11R010 550 8		
	32	C146 11R010 500 8		
Housings				
Housing bulkhead mounting Version A Standard flange without ground strap		C146 11F010 901 8		
Housing bulkhead mounting Version B Standard flange with ground strap		C146 11F010 902 8		
Housing bulkhead mounting Version C Centering flange with ground strap		C146 11F010 000 8		

Panel cut out for bulkhead mounting



Version A + B

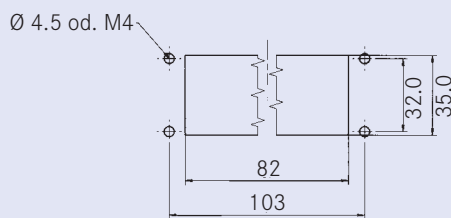


Version C

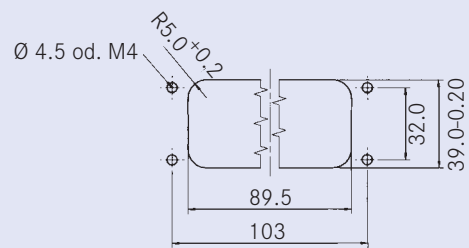
Description	M	Part Number	Drawing	Figure
Hoods				
Hood top entry low profile	25	C146 11R016 650 1		
	32	C146 11R016 600 1		
Hood top entry high profile	25	C146 11R016 650 8		
	32	C146 11R016 600 8		
	40	C146 11R016 601 8		
Hood side entry low profile	25	C146 11R016 550 1		
	32	C146 11R016 500 1		
Hood side entry high profile	25	C146 11R016 550 8		
	32	C146 11R016 500 8		
	40	C146 11R016 501 8		

Housings				
Housing bulkhead mounting Version A Standard flange without ground strap	C146 11F016 901 8			
Housing bulkhead mounting Version B Standard flange with ground strap	C146 11F016 902 8			
Housing bulkhead mounting Version C Centering flange with ground strap	C146 11F016 000 8			

Panel cut out for bulkhead mounting



Version A + B

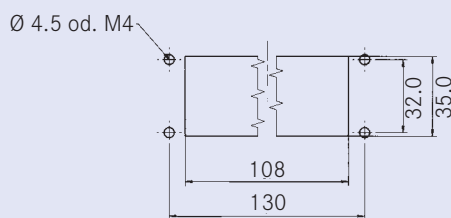


Version C

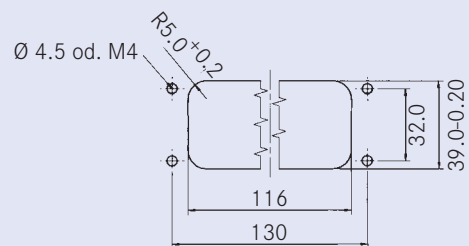
Description	M	Part Number	Drawing	Figure
Hoods				
Hood top entry low profile	25	C146 11R024 650 1		
	32	C146 11R024 600 1		
Hood top entry high profile	25	C146 11R024 650 8		
	32	C146 11R024 600 8		
	40	C146 11R024 601 8		
Hood side entry low profile	25	C146 11R024 550 1		
	32	C146 11R024 500 1		
Hood side entry high profile	25	C146 11R024 550 8		
	32	C146 11R024 500 8		
	40	C146 11R024 501 8		

Housings				
Housing bulkhead mounting Version A Standard flange without ground strap	C146 11F024 901 8			
Housing bulkhead mounting Version B Standard flange with ground strap	C146 11F024 902 8			
Housing bulkhead mounting Version C Centering flange with ground strap	C146 11F024 000 8			

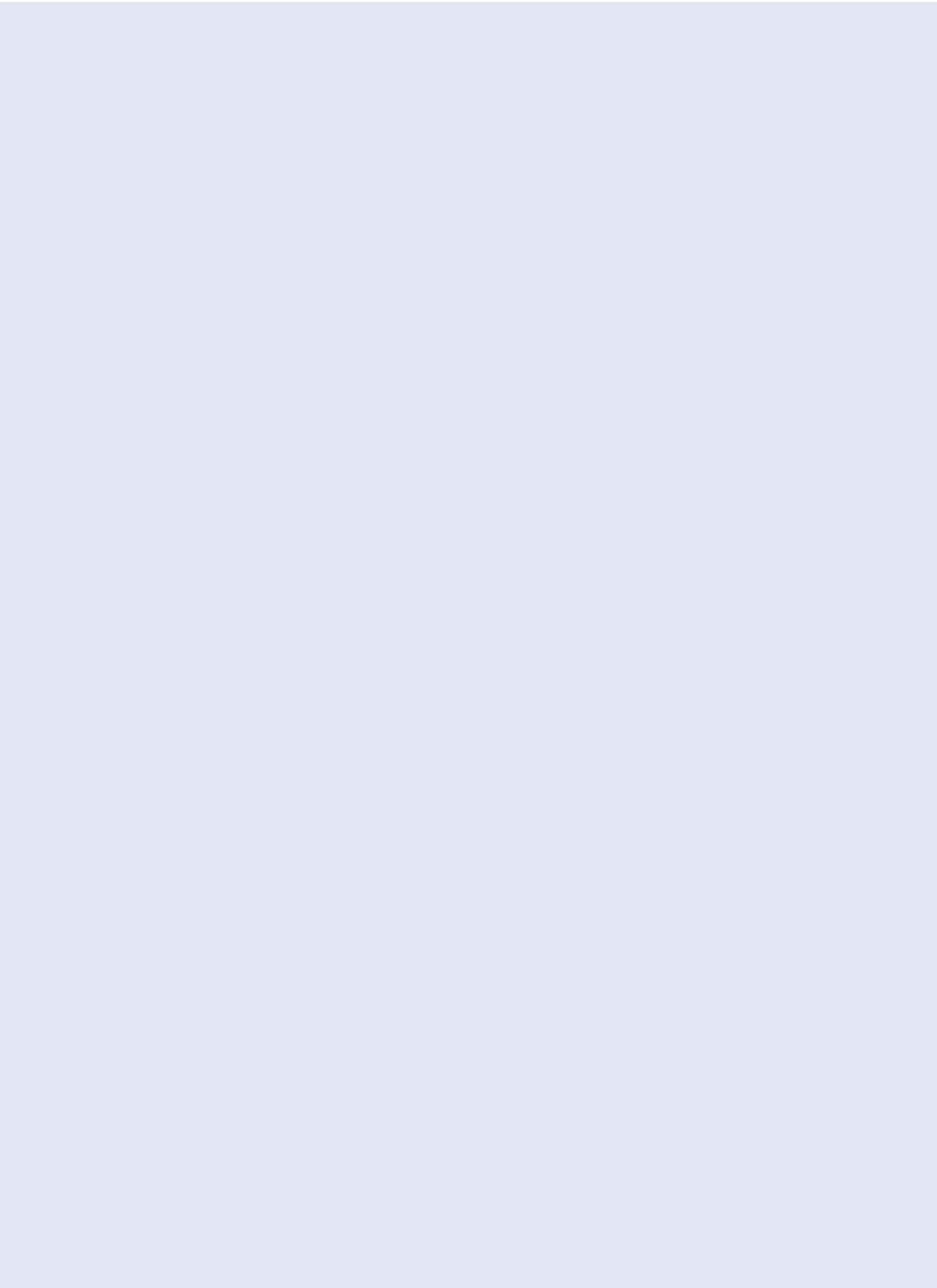
Panel cut out for bulkhead mounting



Version A + B



Version C



A photograph of an offshore wind farm with several white wind turbines in a blue sea under a clear sky. The foreground shows a close-up of a turbine's nacelle and part of a blade.

heavy | mate[®] Housings

- Corrosion resistant Housings

heavy|mate® Housings corrosion resistant Characteristics + Notes

General Characteristics	Standard	Value
Protection class housing		IP65
Locking system		2 locking levers
Salt mist resistance	IEC 60512-11-6:2002	>500h
Climatical Characteristics		
Climatic category	IEC 60068-1	40 / 125 / 21
Temperature range	IEC 60068-1	- 40 °C / + 125 °C
Upper temperature	IEC 60512-11-9	+ 125 °C
Lower temperature	IEC 60512-11-10	- 40 °C
Mechanical Characteristics		
Mechanical operation	IEC 60512-9-1	≥ 500 mating cycles
Materials		
Housings		Aluminium die cast alloy
Colour housings		grey – similar to RAL 9005
Rubber gasket		NBR
Locking lever		steel / special coated
Surface		conducting special surface

General information

500h salt mist resistance can be achieved when using a plastic cable gland.

When a metal cable gland is required, we recommend to use additionally our special studs on the hoods to achieve this value.

Order codes are:

[N16 025 0112 5X](#) Metal stud M25 corrosion resistant

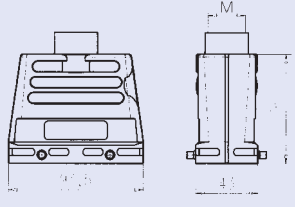

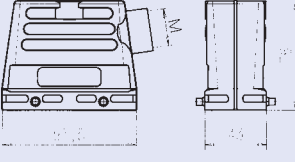

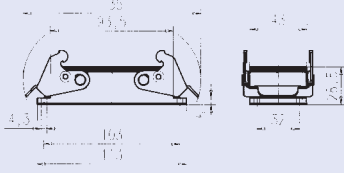

[N16 032 0112 5X](#) Metal stud M32 corrosion resistant

[N16 040 0112 5X](#) Metal stud M40 corrosion resistant

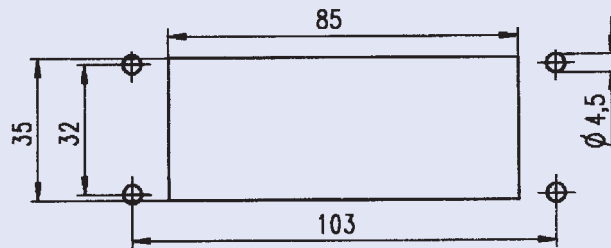
heavy|mate® Housings corrosion resistant Size E6

Description	M	Part Number	Drawing	Figure
Hoods				
Hood top entry	25	C146 50R006 607 1		
Hood side entry	25	C146 50R006 507 1		
Housings				
Housing bulkhead mounting		C146 50F006 000 1		
Panel cut out for bulkhead mounting				

heavy|mate® Housings corrosion resistant Size E16

Description	M	Part Number	Drawing	Figure
Hoods				
Hood top entry	32	C146 50R016 600 8		
Hood side entry	32	C146 50R016 500 8		
Housings				
Housing bulkhead mounting		C146 50F016 000 1		

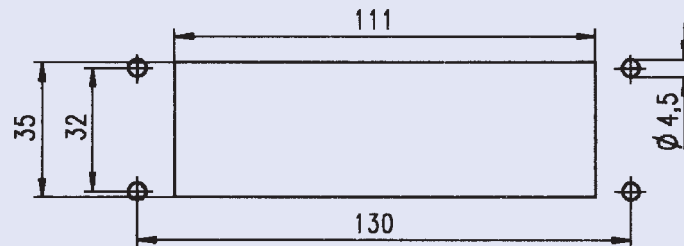
Panel cut out for bulkhead mounting



heavy|mate® Housings corrosion resistant Size E24

Description	M	Part Number	Drawing	Figure
Hoods				
Hood top entry	40	C146 50R024 601 8		
Hood side entry	40	C146 50R024 501 8		
Housings				
Housing bulkhead mounting		C146 50F024 000 1		

Panel cut out for bulkhead mounting



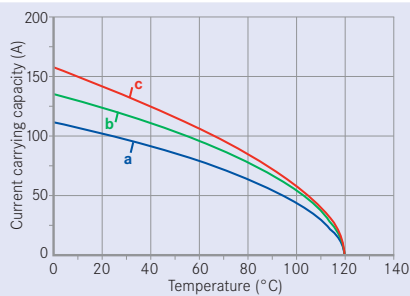
heavy | mate[®] Accessories

- Wallbushing universal port
- Gland bushings
- EMC gland bushings
- Cable seals with cable clamp
- Key pin
- Guide pin / bush
- D-Sub adaptors
- Foam rubber sealing
- Label for CSA regulation
- Wall brackets
- Tolerance compensation system

heavy|mate® Accessories Wallbushing universal port

General Characteristics	Standard	Value
Number of contacts		1
Termination technique		crimp
Wire gauge		10 - 25 mm ² (Radsok)
Termination technique (wall and cable lug)		screw
Wall thickness		1.5 - 6 mm
Dimensions of wall cutout		Ø 31.5 mm ± 0.2 gratfrei
Torque when mounting the WBC		6Nm ± 3%
Mechanical and Electrical Characteristics		
Protection class (side wall to side wall)	IEC 60 529	IP67
Protection class (Radsokseite)	IEC 60 529	IP20
Rated voltage	IEC 61140 cl. 6	≤ 60V DC / ≤ 25V AC
Contact resistance	IEC 60512; test 1	≤ 0,2 mOhm
Climatical Characteristics		
Upper temperature	IEC 60512-11-9	+125°C
Lower temperature	IEC 60512-11-10	-40°C

Derating Curves

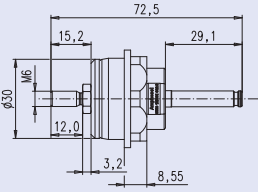

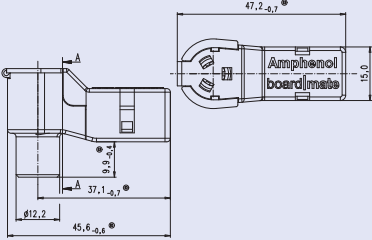




Curve	Wire gauge
a	10 mm ²
b	16 mm ²
c	25 mm ²

Pluggable equipotential bonding with Wallbushing universal port

The Wallbushing universal port is a pluggable grounding system. Based on the two patented Wallbushing and Radsok technologies, the Wallbushing universal port enables a practical equipotential bonding, which need not be time consuming hardwired. For this purpose, only standard tools are needed, even for the most one-sided montage. The click |fit technology is furthermore vibration-proofed and VDE approved as a grounding connection.

heavy|mate® Accessories Wallbushing universal port

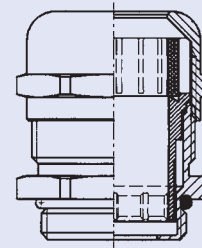
Description	Part Number	Drawing	Figure
Wallbushing Connector universal port			
Wallbushing Connector universal port 6mm	C360 10D001 002 2		
Hosings for 6mm Radsok for 10-16mm²	C360 G01 141 E2		
Hosings for 6mm Radsok for 25mm²	C360 G01 341 E2		

Supplied as	for wire gauge	AWG	Pieces	Part Number		Figure
				Male contact	Female contact	
6 mm Radsok contacts						
Single contact	10-16 mm²		50	N02 060 6164 002	C360 G01 141 E2	
	25 mm²		50	N02 060 6165 002	C360 G01 341 E2	

Tools						
Description	for wire gauge	Part Number		Tool		
		Contact locator	Crimping dies			
Electro hydraulic crimping tool				TE0500 / Klauke Part Number: EK 12042L		
Crimping dies N02 060 6164 002	10 mm² 16 mm²			TE0500 - 081 TE0500 - 061		
Crimping dies N02 060 6165 002	25 mm²			TE0500 - 041		
Further tools see catalogue "Tools"						

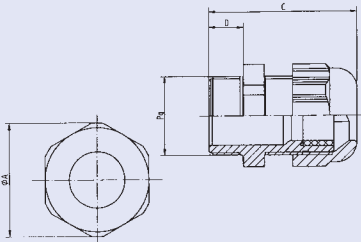

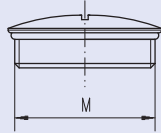

Assembly instructions for metric clamp

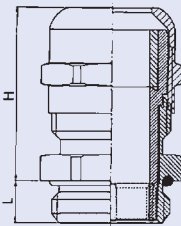

- The cable jacket should be removed as far as the underside of the cable clamping; the wire netting is then to be cut down a little further and subsequently must be formed into a circular rim. The protective jacket can remain attached to the cable provided that it passes through the lower opening of the clamp.
- On assembly, while screwing the cable clamp, the circular rim has to be pushed through and pressed on the fins commutator on the base of the underside and settle into a depression. By doing this the EMC security will remain.

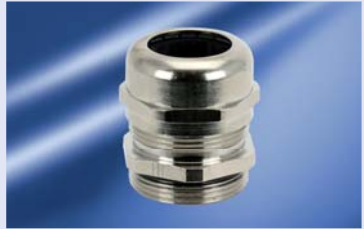


Description	M	Part Number	Drawing	Figure
Gland bushing IP54 (Attention: not usable for hoods without stud)				
Thermoplast clamp with variable inner diameter 10 Pieces	20	VN16 200 0113 X		
Metal with variable inner diameter 10 Pieces	20	VN16 200 0114 X		
	25	VN16 250 0114 X		
	32	VN16 320 0114 X		
	40	VN16 400 0114 X		
50	VN16 500 0114 X			
Cable clamp without gasket 5 Pieces	16	VN16 160 0102 V		
	20	VN16 200 0102 V		
	25	VN16 250 0102 V		
	32	VN16 320 0102 V		
Cable clamp without gasket 5 Pieces	20	VN16 200 0103 V		
	25	VN16 250 0103 V		
	32	VN16 320 0103 V		
Stud ¹⁾	16	N16 016 0112 1		
	20	N16 020 0112 1		
	25	N16 025 0112 1		
	32	N16 032 0112 1		
	40	N16 040 0112 1		

heavy|mate® Accessories Gland bushings IP67 + IP68

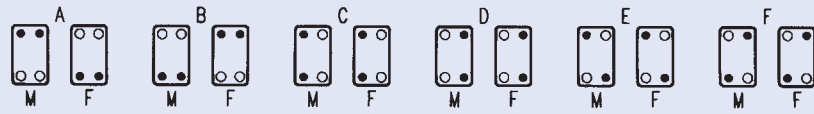
Description	Clamping range ø in mm	A in mm	M	Part Number	Drawing	Figure
Gland bushing IP67 (Material PA / - 20 °C + 80 °C)						
Gland bushing with vibration protection 10 Pieces	4 - 10	20	16	VN16 160 0127 X		
	6 - 12	24	20	VN16 200 0127 X		
	9 - 16	28	25	VN16 250 0127 X		
	10 - 21	36	32	VN16 320 0127 X		
	16 - 28	46	40	VN16 400 0127 X		
Plugs brass nickel-plated with recess and o-ring 10 Pieces			20	VN16 020 0113 (1) X		
			25	VN16 025 0113 (1) X		
			32	VN16 032 0113 (1) X		
			40	VN16 040 0113 (1) X		

Description	Clamping range F in mm	H in mm	L in mm	M	Part Number	Drawing	Figure
Gland bushing IP68 (Material Chloroprene / - 30 °C + 120 °C)							
Gland bushing 10 Pieces	5,5 - 10	22	5,5	16	VN16 160 0133 X		
	8 - 13	24	6	20	VN16 200 0133 X		
	11 - 18	29	7	25	VN16 250 0133 X		
	15 - 21	30	8	32	VN16 320 0133 X		
	19 - 27	34	8	40	VN16 400 0133 X		

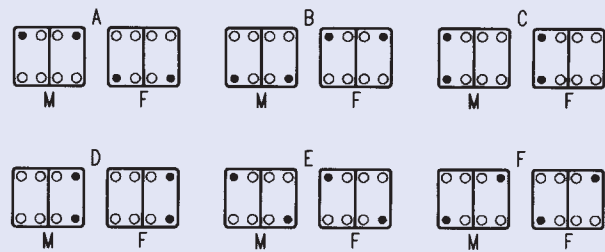
Description	Clamping range F in mm	M	Part Number	Drawing	Figure
EMV gland bushing IP68 (Material CuZn / PA / - 30 °C + 120 °C)					
Gland bushing EMV 10 Pieces	5.5 - 10	16	VN16 160 0126 X		
	8 - 13	20	VN16 200 0126 X		
	11 - 18	25	VN16 250 0126 X		
	15 - 21	32	VN16 320 0126 X		
	19 - 27	40	VN16 400 0126 X		

Polarization system with key pin

For housings with one contact insert



For housings with two contact inserts

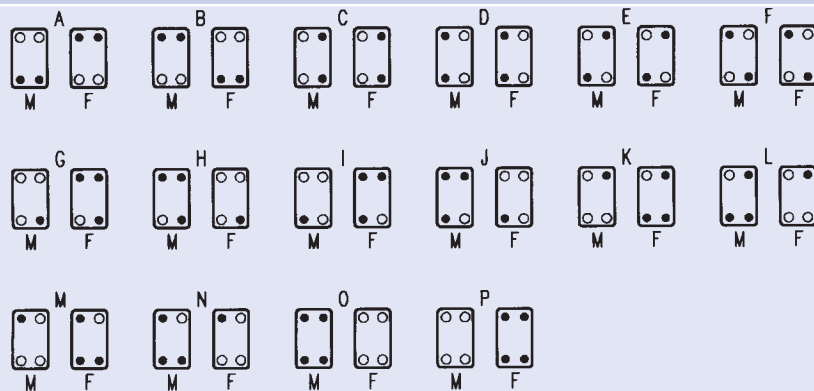


Descriptions

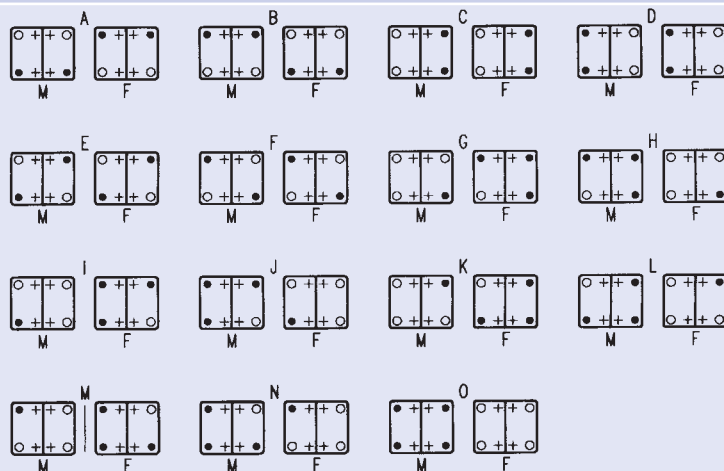
- Key pin
- Locking screw
- M Male insert
- F Female insert

Polarization system with guide pin and guide socket

For housings with one contact insert

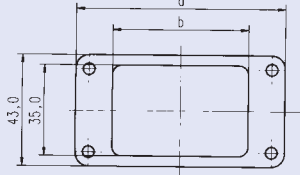

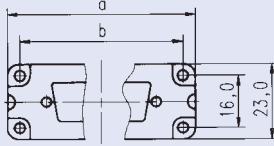

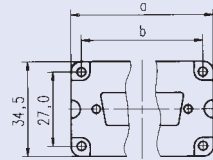

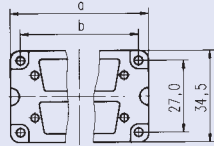




For housings with two contact inserts



Descriptions

- Guide pin
- Guide socket
- + Locking screw
- M Male insert
- F Female insert

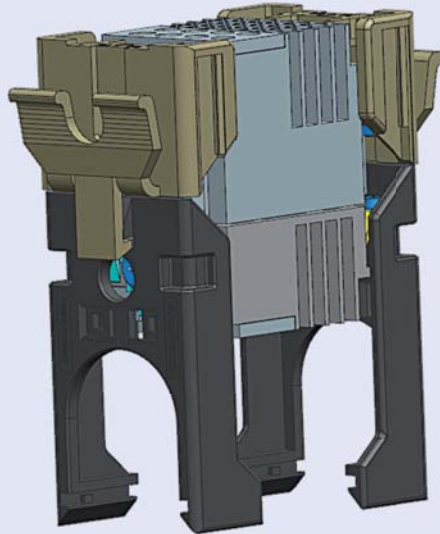
Description	Size	Part Number	a	b	D-Sub	Drawing	Figure
Foam rubber sealing 2 mm	6	N06 080 0003 1	80	70			
	10	N06 080 0003 2	93	83			
	16	N06 080 0003 3	113	103			
	24	N06 080 0003 4	140	130			
Adaptor for D-Sub set metal	15	C146 N32 015 G2	57	49,5	15	 <p>2 x adaptor 4 x M3 x 6,5 8 x M3 x 14</p>	
	25	C146 N32 025 G2	57	49,5	25		
Adaptor for D-Sub set single-row	6	C146 N32 009 G1	51,5	44	9	 <p>2 x adaptor 4 x M3 x 6,5 8 x M3 x 14</p>	
	6	C146 N32 015 G1	51,5	44	15		
	10	C146 N32 025 G1	64,5	57	25		
	16	C146 N32 037 G1	85	77,5	37		
	16	C146 N32 050 G1	85	77,5	50		
Adaptor for D-Sub set double-row	6	C146 N33 009 G1	51,5	44	9	 <p>2 x adaptor 4 x M3 x 6,5 8 x M3 x 14</p>	
	6	C146 N33 015 G1	51,5	44	15		
	10	C146 N33 025 G1	64,5	57	25		
	16	C146 N33 037 G1	85	77,5	37		
	16	C146 N33 050 G1	85	77,5	50		
Label for CSA application	N07 045 0001 L						

Description	Part Number	Drawing	Figure
Cable clamp for contact inserts			
Frames for shielded cables 6 contacts	N25 033 000 1		
Frames for shielded cables 10 contacts	N25 046 000 1		
Frames for shielded cables 16 contacts	N25 066 000 2		
Frames for shielded cables 24 contacts	N25 093 000 1		
Cable clamp for housings			
Frames for shielded cables 10 contacts	N25 061 000 1		
Frames for shielded cables 16 contacts	N25 082 000 2		
Frames for shielded cables 24 contacts	N25 108 000 1		
Frames for shielded cables 24 contacts for shielded modules	N25 108 000 2		

Wall brackets

Accessories for use of heavy|mate® contact inserts without housing, for example on mounting rails in control cabinets.

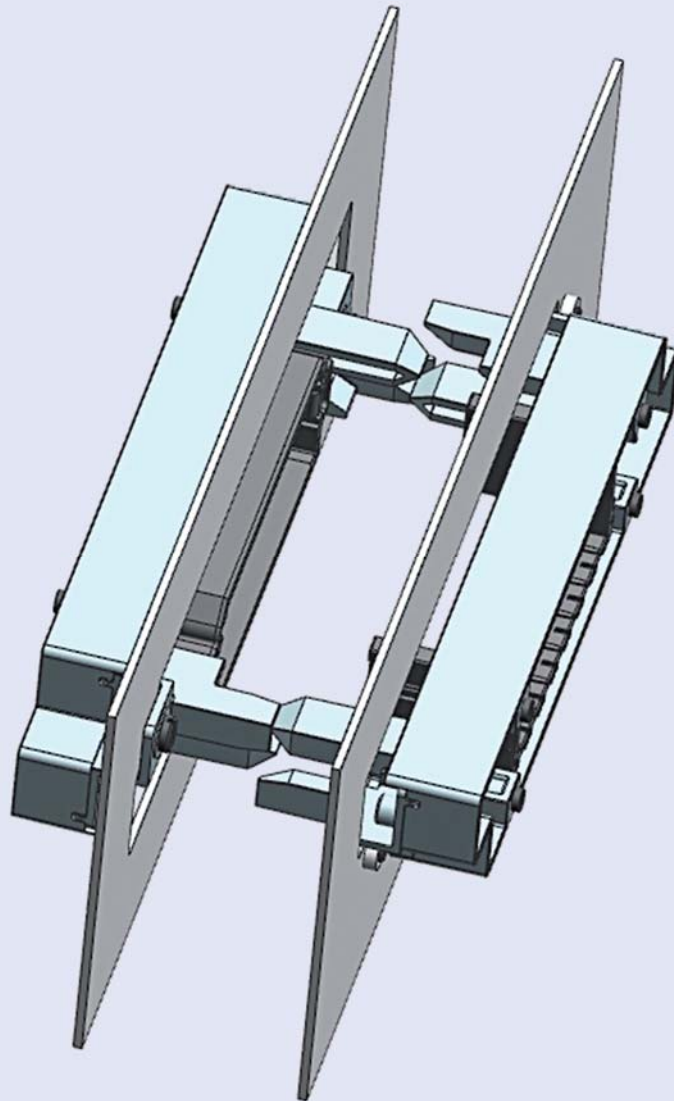
Figure

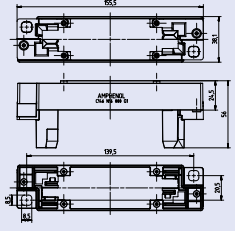

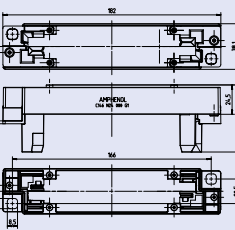



Description	Part Number	Drawing	Figure
Coupling	N09 146 000 6		
Wall bracket	N09 146 000 7		
Wall bracket	N09 146 000 8		
Mounting rail adaptor	N09 146 000 9		

Characteristics	Applications
<ul style="list-style-type: none">• heavy mate® inserts can be used in blind mate applications• tolerance compensation of 3mm in any direction possible• can be used with module frame & monoblocs• very good price-performance ratio	<ul style="list-style-type: none">• Motor control centers• Modular UPS• Inverter• Charging stations• Slip rings

Figure

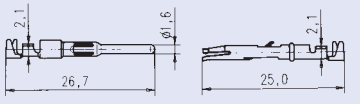
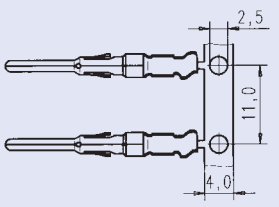
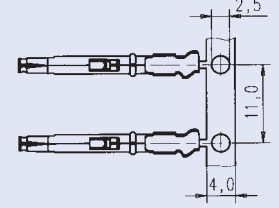


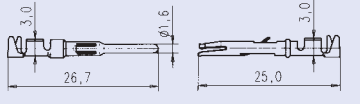
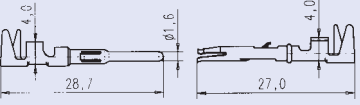
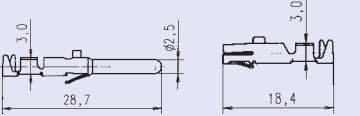
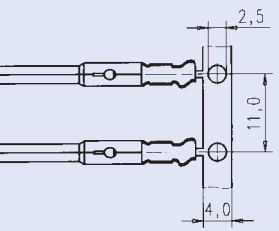
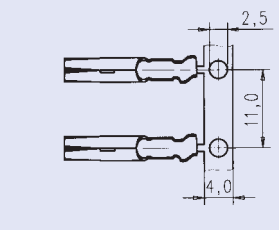


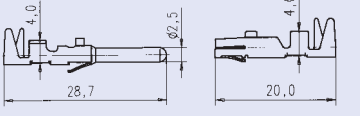
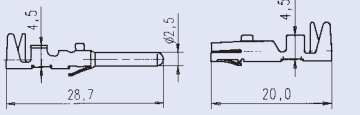
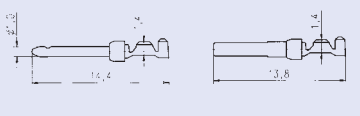
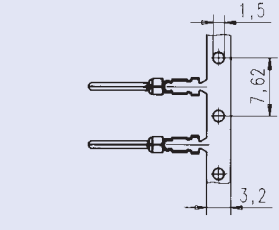
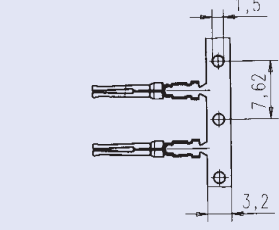


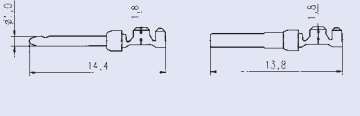


Description	Part Number	Drawing	Figure
Frames for tolerance compensation system Size 16	C146 N16 000 G1		
Frames for tolerance compensation system Size 24	C146 N24 000 G1		

heavy | mate[®] Information

- Drawings contacts
- Safety classification
- Technical information

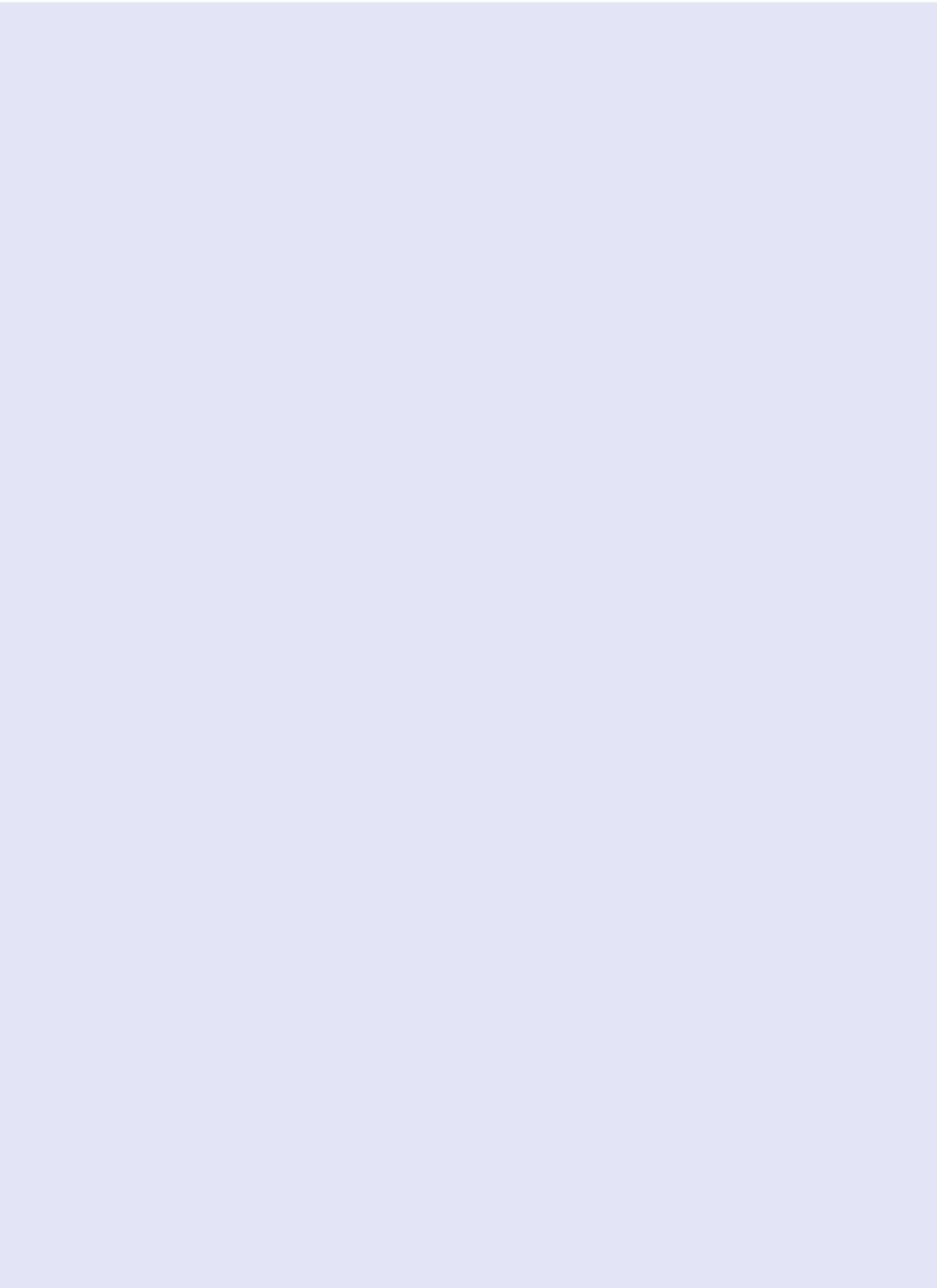
heavy|mate® Information Drawings stamped contacts

Series	Drawing single contact	Drawing contacts on reel	Figure
heavy mate® D, M	.N01 016 0003 1 .N02 016 0003 1 	 	 
	.N01 016 0002 1 .N02 016 0002 1 .N01 016 0015 1 ¹⁾ .N02 016 0015 1 ¹⁾ 		
	.N01 016 0005 1 .N02 016 0005 1 .N01 016 0016 1 ¹⁾ .N02 016 0016 1 ¹⁾ 		
heavy mate® E, M	.N01 025 0001 1 .N02 025 0001 1 	 	 
	.N01 025 0010 1 .N02 025 0010 1 		
	.N01 025 0043 1 .N02 025 0043 1 		
heavy mate® M	.N01 010 0130 2 .N02 010 0130 2 	 	 
	.N01 010 0131 2 .N02 010 0131 2 		

heavy|mate® Information Drawings turned contacts

Series	Part Number	Wire gauge	A	B	Drawing	Figure
heavy mate® D, DD, M 100 Pieces	VN01 016 0024 1C	0,14 - 0,37	0,9	2,6	.N01 016 002X 	
	VN01 016 0025 1C	0,5	1,1	2,6		
	VN01 016 0026 1C	0,75 - 1,0	1,45	2,6		
	VN01 016 0027 1C	1,5	1,75	3,0		
	VN01 016 0028 1C	2,5	2,25	3,2		
	VN02 016 0024 1C	0,14 - 0,37	0,9	2,6	.N02 016 002X 	
	VN02 016 0025 1C	0,5	1,1	2,6		
	VN02 016 0026 1C	0,75 - 1,0	1,45	2,6		
	VN02 016 0027 1C	1,5	1,75	3,0		
	VN02 016 0028 1C	2,5	2,25	3,2		
heavy mate® E, EE 100 Pieces	VN01 025 0035 1C	0,5	1,1	2,6	.N01 025 003X 	
	VN01 025 0036 1C	0,75 - 1,0	1,45	2,6		
	VN01 025 0037 1C	1,5	1,75	3,0		
	VN01 025 0038 1C	2,5	2,3	3,2		
	VN01 025 0039 1C	4,0	2,9	4,0		
	VN02 025 0035 1C	0,5	1,1	2,6	.N02 025 003X 	
	VN02 025 0036 1C	0,75 - 1,0	1,45	2,6		
	VN02 025 0037 1C	1,5	1,75	3,0		
	VN02 025 0038 1C	2,5	2,3	3,2		
	VN02 025 0039 1C	4,0	2,9	4,0		
heavy mate® K 100 Pieces	VN01 040 0010 1C	1,5				
	VN01 040 0011 1C	2,5				
	VN01 040 0012 1C	4				
	VN01 040 0013 1C	6				
heavy mate® M 100 Pieces	VN01 025 0029 1C	0,5	1,1	2,6	.N01 025 00XX 	
	VN01 025 0030 1C	0,75 - 1,0	1,45	2,6		
	VN01 025 0031 1C	1,5	1,75	3,0		
	VN01 025 0032 1C	2,5	2,25	3,45		
	VN01 025 0033 1C	4,0	2,85	3,9		
	VN02 025 0029 1C	0,5	1,1	2,6	.N02 025 00XX 	
	VN02 025 0030 1C	0,75 - 1,0	1,45	2,6		
	VN02 025 0031 1C	1,5	1,75	3,0		
	VN02 025 0032 1C	2,5	2,25	3,45		
	VN02 025 0033 1C	4,0	2,85	3,9		
	VN01 036 0004 1C	1,5	1,75	3,0	.N01 036 000X 	
	VN01 036 0005 1C	2,5	2,25	3,45		
	VN01 036 0001 1C	4,0	2,85	3,9		
	VN01 036 0002 1C	6,0	3,55	4,9		
	VN01 036 0003 1C	10,0	4,4	5,9		
	VN02 036 0004 1C	1,5	1,75	3,0	.N02 036 000X 	
VN02 036 0005 1C	2,5	2,25	3,45			
VN02 036 0001 1C	4,0	2,85	3,9			
VN02 036 0002 1C	6,0	3,55	4,9			
VN02 036 0003 1C	10,0	4,4	5,9			

Series	Part Number	Drawing single contact	Figure
heavy mate® M, FO	N01 016 0040 8		
	N02 016 0040 8		
heavy mate® M, Coax	17 DM 537 421		
	17 DM 537 401		
	17 DM 537 425		
	17 DM 537 405		



Style	enclosed	unenclosed	earthing contact	cable clamp	finger safety mated
Hood with pin insert	●		●		●
Pin insert		●	●		
Hood with socket insert	●		●		●
Socket insert		●	●		
Coupling housing with pin insert	●		●		●
Coupling housing with socket insert	●		●		●
Housing with pin insert	●		●		●
Housing with socket insert	●		●		●

If not otherwise stated the contact inserts have to be mounted in metallic conductive housings resp. on bars or mounting boards to complete the protective earth grounding.

finger safety unmated	hand back safety mated	connetor with breaking capacity ¹⁾	rewirable	Cable clamp		Style
				with ²⁾	without ³⁾	
	●	●	●	●	●	Hood with pin insert
		●	●	4)	●	Pin insert
●	●	●	●	●	●	Hood with socket insert
		●	●	4)	●	Socket insert
		●	●	●	●	Coupling housing with pin insert
●	●	●	●	●	●	Coupling housing with socket insert
	●	●	●	●	●	Housing with pin insert
●	●	●	●	●	●	Housing with socket insert



General technical information

- The Safty of connectors/connectors with braking capacity (CBC) depends on the right selection of products, the correct installation and a proper assembly.
- Decisions for the application of connectors are the requirements of the equipment specifications. This is especially the case for the definition of the rated voltage and the related clearances and creepage distances.
- All rated data for the connectors listed in this catalogue is based on overvoltage category III and pollution degree 3 (machine tool application).
- All technical data is specified for connectors, which are not under load when mated or disconnected. If in special cases connectors can be used in the sense of plug and socket devices (connector with breaking capacity), this is mentioned in the brief information of the particular section.
- Correct mounting will protect against electrical shock when mating the connectors.
- It connectors are mounted in non conductive housings both protective earthing terminals shall be mounted.
- A detailed connector glossary can be found at the end of this catalogue.
- All mentioned excerpts of standards are for general information only. For specific cases the valid original standards have to be consulted.
- Test methods acc. IEC 60512 comply with test methods acc. DIN EN 60512 or DIN IEC 60512. IEC 60664-1 complies with DIN VDE 0110-1

Termination methods: Screw connection

Screw clamps are designed acc. to EN 60999-1/VDE 0609. Chart 1 below shows the screw size depending on wire size and the required clamping and testing torque.

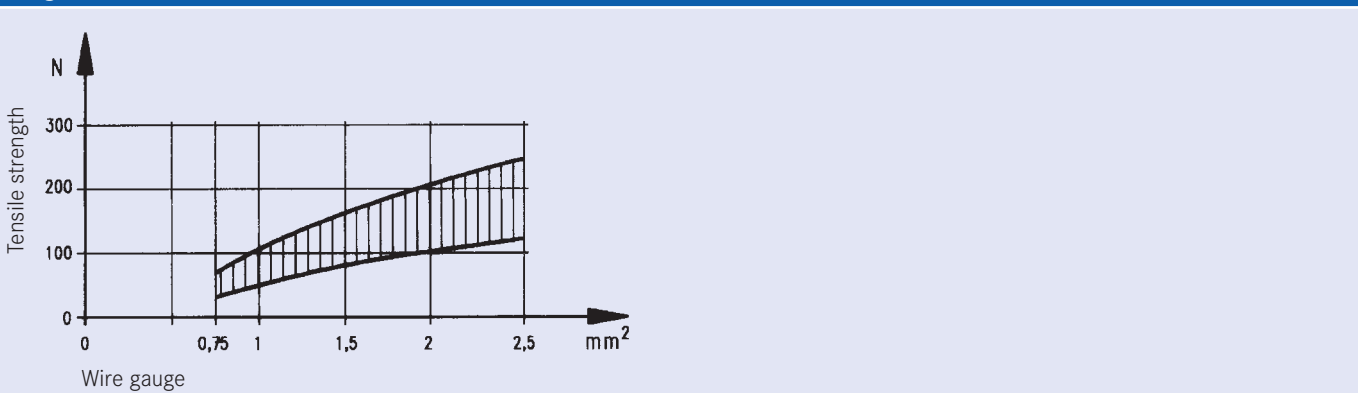


Chart 1

Wire size (mm²)	1	1.5	2.5	4	6	10
Screw size	M 2.6	M 3	M 3	M 3.5	M 4	M 4
Test torque (Ncm)	40	50	50	80	120	120

Diagram 1 below shows the range of tensile strength for a screw connection with a clamp screw M3, fastened with a torque of 50 Ncm, depending on the wire size.

Diagram 1



Crimp connection	Chart 2: Tensile strength for crimp connetions		
<p>A crimp connection is a non-detachable electrical connection between a wire and a crimp contact produced with the crimp technology. Precise crimping dies are matched to the crimp barrel and the wire size and a defined deformation results in a reliable electrical connection. There are open barrels (stamped contacts) and closed crimp barrels (turned contacts).</p> <p>The main advantages of crimp connections are:</p> <ul style="list-style-type: none"> • Efficient termination of contacts. • Reproduceable electrical and mechanical figures by a constant crimp quality. <p>(A detailed description of the crimp technology can be found in our catalogue "tools").</p> <p>The requirements for crimp connections are defined in DIN EN 60352-2.</p> <p>An important point for the quality of a crimp connection is the achieved tensile strength of the termination. Measuring the tensile strength is a practible means for quality control purposes. Chart 2 below shows the required minimum tensile strength for open and closed barrels according to the wire size.</p>	Wire size		Tensile strength
	mm ²	AWG ¹⁾	N
	0.05	30	6
	0.08	28	11
	0.12	26	15
	0.14		18
	0.22	24	28
	0.25		32
	0.32	22	40
	0.5	20	60
	0.75		85
	0.82	18	90
	1.0		108
	1.3	16	135
	1.5		150
	2.1	14	200
	2.5		230
3.3	12	275	
4.0		310	
5.3	10	355	
6.0		360	
8.4	8	370	
10.0		380	

Cross reference AWG - mm²

The chart below allows a cross reference between American Wire Gauge (AWG) and metric wire sizes (mm²).

Chart 3							
AWG	Wire composition	Leiter-Ø	Wire size	AWG	Wire composition	Leiter-Ø	Wire size
30	1 x 0.25	0.25 mm	0.05 mm ²	20	1 x 0.81	0.81 mm	0.52 mm ²
	7 x 0.10	0.36 mm	0.06 mm ²		7 x 0.32	0.97 mm	0.56 mm ²
28	1 x 0.32	0.32 mm	0.08 mm ²	18	19 x 0.20	1.02 mm	0.62 mm ²
	7 x 0.13	0.38 mm	0.09 mm ²		1 x 1.02	1.02 mm	0.79 mm ²
26	1 x 0.40	0.40 mm	0.13 mm ²	16	19 x 0.25	1.27 mm	0.96 mm ²
	7 x 0.16	0.48 mm	0.14 mm ²		19 x 0.29	1.44 mm	1.23 mm ²
24	19 x 0.10	0.51 mm	0.15 mm ²	14	19 x 0.36	1.80 mm	1.95 mm ²
	1 x 0.51	0.51 mm	0.21 mm ²		12	19 x 0.46	2.29 mm
22	7 x 0.20	0.61 mm	0.23 mm ²	10	37 x 0.40	3.10 mm	4.60 mm ²
	19 x 0.13	0.64 mm	0.24 mm ²		8	133 x 0.29	4.0 mm
20	1 x 0.64	0.64 mm	0.33 mm ²	6	133 x 0.36	5.5 mm	13.5 mm ²
	7 x 0.25	0.76 mm	0.36 mm ²				
	19 x 0.16	0.81 mm	0.38 mm ²				

It has to be noted that wires of the same AWG number but with different composition have slightly different mm².

Chart 4: Composition and Dimensions of Copper Wires

Wire Size	Wire Composition	Wire diameter
0.09 mm ²	12 x 0.10	0.48 mm
0.14 mm ²	18 x 0.10	0.50 mm
0.25 mm ²	14 x 0.15	0.70 mm
0.34 mm ²	7 x 0.25	0.78 mm
0.5 mm ²	16 x 0.20	1.0 mm
0.75 mm ²	24 x 0.20	1.2 mm
1.0 mm ²	32 x 0.20	1.4 mm
1.5 mm ²	30 x 0.25	1.6 mm
2.5 mm ²	35 x 0.30	2.2 mm
4.0 mm ²	56 x 0.30	2.8 mm
6.0 mm ²	19 x 0.64	3.4 mm
10 mm ²	19 x 0.80	4.3 mm

Current carrying capacity

The current carrying capacity of a connector is shown by a derating curve. The curve shows the currents that the connector can carry continuously and simultaneously through all its contacts. The curve is determined by testing following the standard DIN EN 60512. The upper temperature is limited by the contact and insulation material used. The sum of the ambient temperature and the temperature created by the current flow may not exceed the upper temperature. This means that the current carrying capacity has no fixed value but decreases with increasing ambient temperatures.

As a general example it can be said that a given connector which can carry 16A through all its contacts at 40°C ambient temperature can carry less, e.g. 12A, at an ambient temperature of 80°C. On the other hand it is often the case that not all contacts carry the whole rated current, which means that some single contacts may carry a higher current than that according to the derating curve. These currents have to be defined by testing.

Diagram 3: Typical derating curve

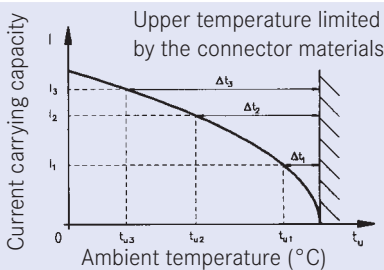
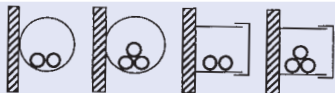
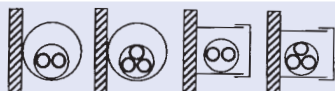




Chart 5: Current carrying capacity of copper wires in (A)

Installation type	Wire size (mm ²)	0.25	0.34	0.5	0.75	1	1.5	2.5	4	6	10
 B1 Wires in conduits and installation channels		-	-	-	7.6	10.4	13.5	18.3	25	32	44
 B2 Cables and conductors in conduits or installation channels		-	-	-	-	9.6	12	16.5	23	29	40
 C Cables and conductors along walls		4.0	5.0	7.1	9.1	11.7	15.2	21	28	36	50
 E Cables and conductors on plank		4.0	5.0	7.1	9.1	11.5	16.1	22	30	37	52

Description according to DIN EN 60204 for PVC insulated copper wires with a working temperature of +40C. For other requirements,

such as for other temperatures, mountings, or wires corresponding correction factors are used (see next page).

Reduction values	Chart 6	
<p>The values in chart 5 are based on an ambient temperature of 40 °C. For other ambient temperatures the values have to be adjusted using the correction values of chart 6 below.</p> <p>For installations with many cables and conductors under load the current carrying capacity is reduced according to the two following charts 7 and 8.</p>	Ambient temperature (°C)	Correction value
	30	1.15
	35	1.03
	40	1.00
	45	0.91
	50	0.82
	55	0.71
	60	0.58

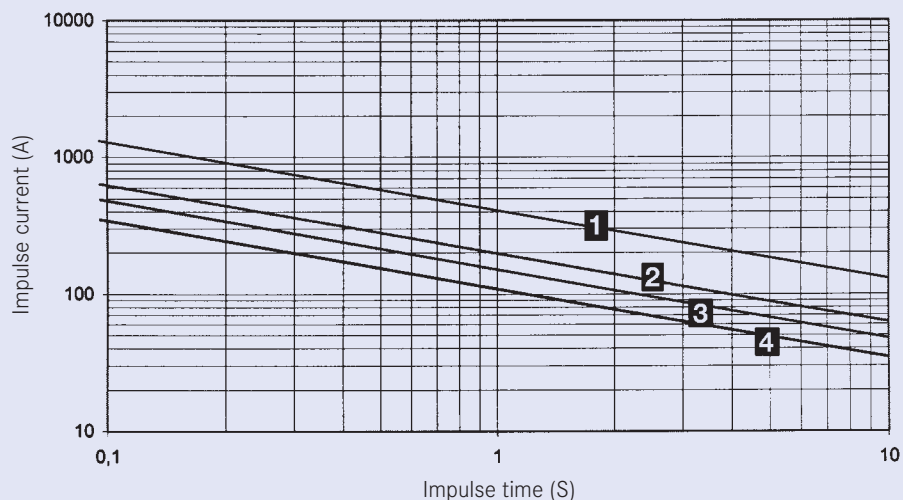
Chart 7: Reduction values for accumulated conductors				
Installation type	Number of cables and conductors / pairs under load			
	2	4	6	9
Threephase cable and conductor				
B1 and B2	0.80	0.85	0.87	0.86
C	0.65	0.75	0.78	0.76
E-one row	0.57	0.72	0.75	0.72
E-multi row	0.50	0.70	0.73	0.88
DC conductor (pair), independent of installation type	1.0	0.76	0.64	0.43

Chart 8: Reduction values for multicore cable and conductors up to 10mm²		
Number of conductors (pairs) under load	AC (conductor > 1 mm²)	DC (Pairs 0,2 to 0,75 mm²)
5	0.75	0.52
7	0.65	0.45
10	0.55	0.39
24	0.40	0.27

Conductors of control circuits generally do not need a reduction.

Impulse current carrying capacity	
<p>A surge can happen to a connector and its contacts by an impulse current, e.g. through a short circuit in the system or by switching operations. The short-timed high current heat cannot be transferred outside fast enough so the contacts are stressed by the high temperature which in the worst case can lead to a local weld.</p>	<p>The robust design of our connectors prevents most damage by impulse currents.</p> <p>The diagram 4 below can be used as a guideline.</p>

Chart 4: Impulse current carrying capacity of single contacts



Curve No.	Connector style	Curve No.	Connector style
1	heavy mate® E or A with screw contact	3	heavy mate® S with stamped crimp contact
2	heavy mate® E with stamped crimp contact	4	heavy mate® D with stamped crimp contact

Voltage grading of connectors

General

Clearances and creepage distances are the base for voltage grading of connectors. Valuation and dimensioning of clearances and creepage distances have changed since the introduction of insulation coordination.

Insulation coordination comprises the selection of the electrical insulation performances of the equipment, taking into account the expected use and its environment.

The following standards apply for this:

IEC 60664-1/10.92
Insulation coordination for equipment within low-voltage systems

DIN VDE 0110-1/4.97
Isolationskoordination für elektrische Betriebsmittel in Niederspannungsanlagen

Clearances

The clearance is the shortest distance in air between two conductive parts. An important point for the dimensioning of clearances is the determination of the overvoltage category. The above standard specifies the possible overvoltages into the four following categories:

Overvoltage category I

Equipment intended for the use in appliances or parts of installations in which no overvoltage can occur.

Examples are low-voltage equipments.

Overvoltage category II

Equipment intended for the use in installations or parts of it in which lightning overvoltages do not need to be considered, but switching overvoltages generated by the equipment do need to be considered.

Examples are household appliances.

Once the overvoltage category has been defined the rated impulse withstand voltage can be selected for the equipment based on the nominal voltage of the supply system and the overvoltage category using chart 9 below:

Overvoltage category III

Equipment intended for the use in installations or parts of it in which lightning overvoltages do not need to be considered, however switching overvoltages generated by the equipment, and for cases where the reliability and the availability of the equipment or its dependent circuits are subject to special requirements.

Examples are protecting means, switches and sockets.

Overvoltage category IV

Equipment intended for the use in installations or parts of it in which lightning overvoltage has to be considered.

Examples are electricity meters, overcurrent protection switches.

Chart 9

Nominal voltage of the supply system in V (based on IEC 60038)	Rated impulse voltage in kV for overvoltage category			
	IV	III	II	I
Three phase systems	IV	III	II	I
230/400 277/480	6	4	2,5	1,5
400/690	8	6	4	2,5
1000	12	8	6	4

After the rated impulse withstand voltage has been selected the pollution degree must be defined taking the expected pollution around the equipment into account.

The following four degrees of pollution are established:

Pollution degree 1

No pollution or only dry, non-conductive pollution occurs. The pollution has no influence.

Pollution degree 2

Only non-conductive pollution occurs except occasionally a temporary conductivity caused by condensation is to be expected.

Pollution degree 3

Conductive pollution occurs or dry non-conductive pollution occurs which becomes conductive due to condensation which is to be expected.

Pollution degree 4

The pollution generates persistent conductivity caused by conductive dust or by rain or snow.



It has to be noted that for a connector or plug and socket device with a degree of protection of min. IP54 the parts inside the enclosure may be dimensioned for a lower pollution degree. This also applies to mated connectors which enclosure is ensured through the connector housing and which may only be disengaged for test and maintenance purposes.

When impulse withstand voltage and the pollution degree are defined the minimum clearances can be selected from chart 10.

Chart 10

Impulse withstand voltage in kV	Minimum clearances in air in mm up to 2000 m above sea level							
	Case A (non homogeneous field)				Case B (homogeneous field)			
	Pollution degree				Pollution degree			
	1	2	3	4	1	2	3	4
0.33	0.01	0.2	0.8	1.6	0.01	0.2	0.8	1.6
0.40	0.02				0.02			
0.50	0.04				0.04			
0.60	0.06				0.06			
0.80	0.10				0.1			
1.0	0.15				0.15			
1.2	0.25	0.25			0.2			
1.5	0.5				0.3			
2.0	1.0	1.0	1.0		0.45	0.45		
2.5	1.5	1.5			0.6	0.6		
3.0	2	2	2	2	0.8	0.8		
4.0	3	3	3	3	1.2	1,2		
5.0	4	4	4	4	1.5	1.5	1.5	
6.0	5.5	5.5	5.5	5.5	2	2	2	
8.0	8	8	8	8	3	3	3	3
10	11	11	11	11	3.5	3.5	3.5	3.5
12	14	14	14	14	4.5	4.5	4.5	4.5
15	18	18	18	18	5.5	5.5	5.5	5.5
20	25	25	25	25	8	8	8	8
25	33	33	33	33	10	10	10	10
30	40	40	40	40	12.5	12.5	12.5	12,5
40	60	60	60	60	17	17	17	17
50	75	75	75	75	22	22	22	22
60	90	90	90	90	27	27	27	27
80	130	130	130	130	35	35	35	35
100	170	170	170	170	45	45	45	45

When defining the minimum clearances for connectors generally the values of the inhomogeneous field can be chosen or the required clearance has to be defined by a voltage test.

Creepage distances

The creepage distance is the shortest distance along the surface of the insulating material between two conductive parts. For the dimensioning of the creepage distance the following factors are taken into account: the rated voltage, the pollution degree and the tracking formation of the insulating material.

The materials are separated into four groups according to their CTI values (Comparative Tracking Index):

- Material group I 600 ≤ CTI
- Material group II 400 ≤ CTI < 600
- Material group IIIa 175 ≤ CTI < 400
- Material group IIIb 100 ≤ CTI < 175

The minimum creepage distances can be selected from chart 11 .

Chart 11

U-eff Rated vol- tage U in V	Min. creepage distance in mm																	
	Printed circuits			Other devices														
	Pollution degree		Pollution degree 1					Pollution degree 2				Pollution degree 3			Pollution degree 4			
	1	2	Material group								Material group				Material group			
	2)	3)	2)	I	II	IIIa	IIIb	I	II	IIIa	IIIb	I	II	IIIa	IIIb			
10	0.025	0.04	0.08	0.4	0.4	0.4		1	1	1		1.6	1.6	1.6				
12.5	0.025	0.04	0.09	0.42	0.42	0.42		1.05	1.05	1.05		1.6	1.6	1.6				
16	0.025	0.04	0.1	0.45	0.45	0.45		1.1	1.1	1,1		1.6	1.6	1.6				
20	0,025	0.04	0.11	0.48	0.48	0.48		1.2	1.2	1.2		1.6	1.6	1,6				
25	0,025	0.04	0.125	0.5	0.5	0.5		1.25	1.25	1.25		1.7	1.7	1.7				
32	0.025	0.04	0.14	0.53	0.53	0.53		1.3	1.3	1.3		1.8	1.8	1.8				
40	0.025	0.04	0.16	0.56	0.8	1.1		1.4	1.6	1.8		1.9	2.4	3				
50	0.025	0.04	0.18	0.6	0.85	1.2		1.5	1.7	1.9		2	2.5	3.2				
63	0.04	0.063	0.2	0.63	0.9	1.25		1,6	1.8	2		2.1	2.6	3.4				
80	0.063	0.1	0.22	0.67	0.95	1.3		1.7	1.9	2.1		2.2	2.8	3.6				
100	0.1	0.16	0.25	0.71	1	1.4		1.8	2	2.2		2.4	3.0	3.8				
125	0.16	0.25	0.28	0.75	1.05	1.5		1.9	2.1	2.4		2.5	3.2	4				
160	0.25	0.4	0.32	0.8	1.1	1.6		2	2.2	2.5		3.2	4	5				
200	0.4	0.63	0.42	1	1.4	2		2.5	2.8	3.2		4	5	6.3				
250	0.56	1	0.56	1.25	1.8	2.5		3.2	3.6	4		5	6.3	8				
320	0.75	1.6	0.75	1.6	2.2	3.2		4	4.5	5		6.3	8	10				
400	1	2	1	2	2.8	4		5	5.6	6.3		8	10	12.5				
500	1.3	2.5	1.3	2.5	3.6	5		6.3	7.1	8.0		10	12.5	16				
630	1.8	3.2	1.8	3.2	4.5	6.3		8	9	10		12.5	16	20				
800	2.4	4	2.4	4	5.6	8		10	11	12.5		16	20	25				
1000	3.2	5	3.2	5	7.1	10		12.5	14	16		20	25	32				
1250			4.2	6.3	9	12.5		16	18	20		25	32	40				
1600			5.6	8	11	16		20	22	25		32	40	50				
2000			7.5	10	14	20		25	28	32		40	50	63				
2500			10	12.5	18	25		32	36	40		50	63	80				
3200			12.5	16	22	32		40	45	50		63	80	100				
4000			16	20	28	40		50	56	63		80	100	125				
5000			20	25	36	50		63	71	80		100	125	160				
6300			25	32	45	63		80	90	100		125	160	200				
8000			32	40	56	80		100	110	125		160	200	250				
10000			40	50	71	100		125	140	160		200	250	320				

Connectors in this catalogue are allocated to fixed rated voltages which apply to the machine building industry. In case of other applications the above chart can be used to determine other rated voltages.

Degree of protection

Electrical connector devices have to be protected for safety reasons from outside influences like dust, foreign objects, direct contact, moisture and water. This protection is provided on industrial connectors by the housing latching devices and sealed cable entries. The degree of protection depends on the type of intended use. The standard IEC 60529 and/or DIN EN 60529 has specified the degree of protection and divided them into several classes.

The degree of protection is indicated in the following way: IP65
 Code letters (Internat. Protection) _____
 1st charact. numeral (degree of protection against access to hazardous parts and against solid foreign objects)
 2nd charact. numeral (degree of protection against ingress of water)
 The following charts 12 an13 give an overview about all protection degrees.

Chart 12			Chart 13		
1st charact. numeral	Brief description	Definition	2nd charact. numeral	Brief description	Definition
0	Non-protected	—	0	Non-protected	—
1	Protected against access to hazardous parts with the back of a hand. Protected against solid foreign objects of $\geq 50\text{mm } \varnothing$.	The probe, sphere of $50\text{mm } \varnothing$, shall not fully penetrate and shall have adequate clearance from hazardous parts.	1	Protected against vertically falling water drops	Vertically falling drops shall have no harmful effects.
2	Protected against access to hazardous parts with a finger. Protected against solid foreign objects of $\geq 12,5\text{mm } \varnothing$.	The jointed test finger of $12\text{mm } \varnothing$, 80mm length, shall have adequate clearance from hazardous parts. The probe, sphere of $12,5\text{mm } \varnothing$, shall not fully penetrate.	2	Protected against vertically falling water drops when enclosure tilted up to 15°	Vertically falling drops shall have no harmful effects when the enclosure is tilted at any angle up to 15° .
3	Protected against access to hazardous parts with a tool. Protected against solid foreign objects of $\geq 2,5\text{mm } \varnothing$.	The probe of $2,5\text{mm } \varnothing$ shall not penetrate at all.	3	Protected against spraying water	Water sprayed at any angle up to 60° shall have no harmful effects.
4	Protected against access to hazardous parts with a wire. Protected against solid foreign objects of $\geq 1\text{mm } \varnothing$.	The probe of $1\text{mm } \varnothing$ shall not penetrate at all.	4	Protected against splashing water	Water splashed against the enclosure from any direction shall have no harmful effects.
5	Protected against access to hazardous parts with a wire. Dust-protected.	The probe of $1\text{mm } \varnothing$ shall not penetrate. Intrusion of dust is not totally prevented, but dust shall not penetrate in a quantity to interfere with satisfactory operation of the device or to impair safety.	5	Protected against water jets	Water projected in jets against the enclosure from any direction shall have no harmful effects.
6	Protected against access to hazardous parts with a wire. Dust-tight.	The probe of $1\text{mm } \varnothing$ shall not penetrate. No intrusion of dust.	6	Protected against powerful water jets	Water projected in powerful jets against the enclosure from any direction shall have no harmful effects.
			7	Protected against the effects of temporary immersion in water	Intrusion of water in quantities causing harmful effects shall not be possible when the enclosure is temporarily immersed in water for 30 min. in 1m depth.
			8	Protected against the effects of continuous immersion in water	Intrusion of water in quantities causing harmful effects shall not be possible when the enclosure is continuously immersed in water under conditions which shall be agreed between manufacturer and user but which are more severe than for numeral 7.
			9K ¹⁾	Protected against water during high pressure/steam jet cleaning	Water projected in powerful jets with high pressure and heat against the enclosure from any direction shall have no harmful effects.

Cable

For the termination of all Amphenol-industrial connectors we recommend the use of commercially available high flexible cable acc. to VDE or other local specifications. Our connectors are designed to fit these cables especially as far as number of conductors and cable diameters are concerned.

When selecting cables care must be taken that the cables do not affect (solvent) the connector or preserve an existing fire resistance.

Sealing

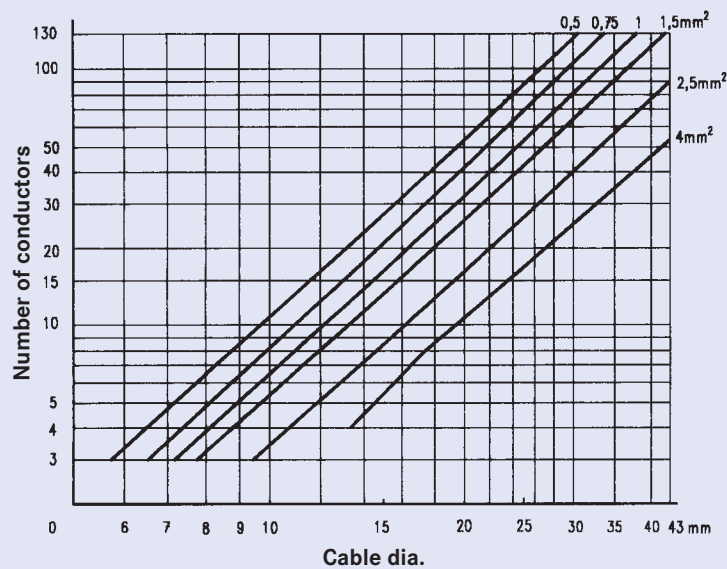
The sealing of the cable entries of all Amphenol-industrial connectors is with gland bushings. All sealings are made from Neoprene which has a good resistance against grease, oil and gasoline.

Selection of gland bushings

Beside glands with a fixed inside diameter which equals the number, there are also glands with variable inside diameters available (so-called onion glands). The inside diameter of these glands can be adjusted to the outside cable diameter by cutting out the smaller rings.

The selection of the appropriate gland bushing depends on the cable diameter (cable composition) can be made using the following diagram 5 (see page 273).

Diagram 5



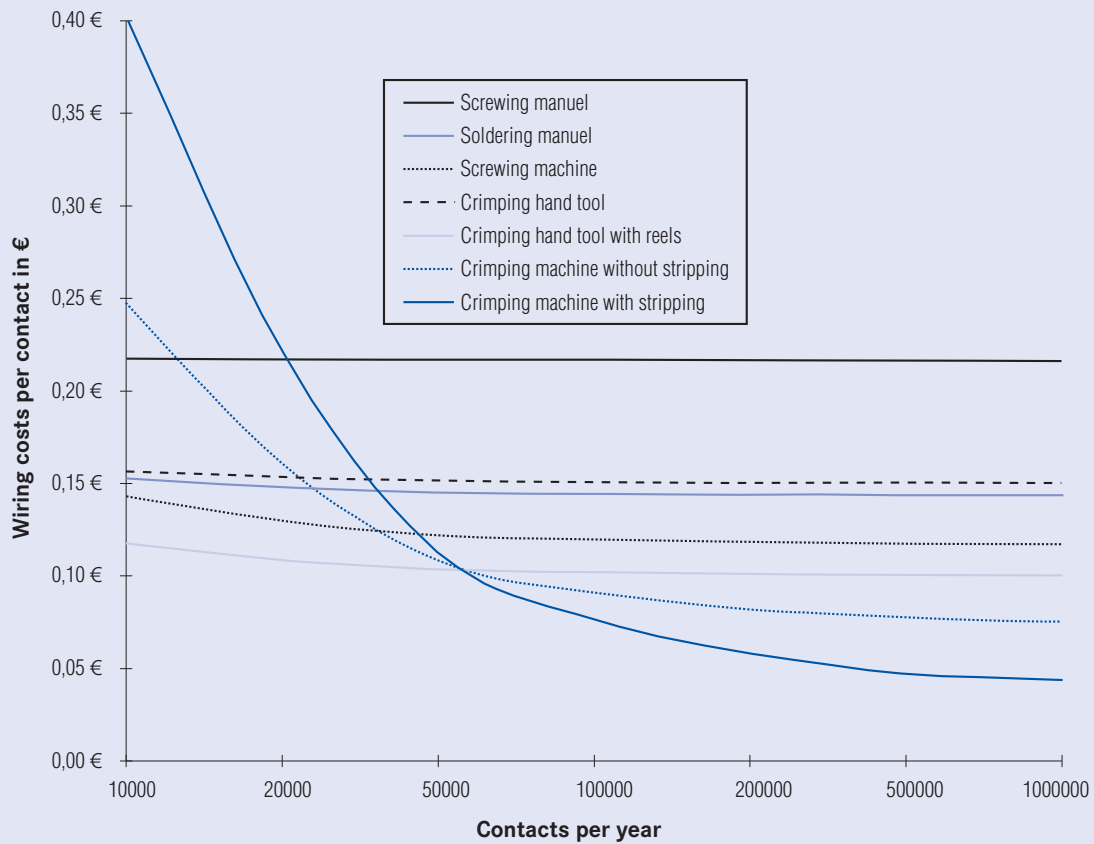
American Wire Gauge (AWG)	Contact
System of numerical designations for wire sizes, based on specified ranges of cross-sectional areas. Starts with 4/0 (000) at the largest size, going to 3/0, 2/0, 1/0, 1, 2, and up to 40 and beyond for the smallest size. A step of one AWG number corresponds to a reduction of cross-sectional area of appr. 20 %.	The conductive element in a connector which mates with a corresponding element to provide an electrical path.
Attenuation	Contact resistance
A reduction of power. Occurs naturally when waves travel through lines, wave guides, or media such as air or water. Is produced additionally by imperfections in electrical or optical connections (attenuation in fibre optics), e. g. contact resistance, mismatch, etc.	The electrical resistance of a mated set of contacts under specified conditions. Tested according to tests 2a, 2b, 2c, of IEC 60 512 -2/ DIN EN 60 512-2.
Bulkhead connector	Contact size
Connector designed to be inserted into a panel cutout from the rear of the panel, thus forming part of the barrier between two spaces. Back-mounted.	The designation used to differentiate one contact from another. It may be denoted by one of the following numbering systems: <ul style="list-style-type: none"> • numbering system: assigned numbers used to denote the size of the contact and its related conductor accommodation (e. g. in AWG units), • current rating system: the related current-carrying capacity is used to denote the size of the contact, • cross-sectional area system: reference is made to the cross-sectional area of the maximum conductor accommodation to denote the size of the contact, e. g. in mm².
Clearance	Creepage distance
The shortest distance in air between two conductive parts, see IEC 60664.	The shortest distance along the surface of the insulating material between two conductive parts. The longer the distance, the less the risk of arc damage or tracking. Minimum creepage distances are specified according to the rated voltage and the applicable pollution degree and Comparative Tracking Index.
Climatic stability	Crimped connection
General term describing the behavior of components under various climatic conditions, e. g. high and low temperatures, tropical climate, high humidity, moist heat, fungus, atmospheric conditions (industrial atmosphere), reduced air pressure, etc. Climatic conditions for test purposes are explained in IEC 60068, DIN 46 040.	A solderless connection made by crimping. IEC 60352-2 / DIN IEC 60352 Part 2.
Connector	Derating curve
A component which terminates conductors for the purpose of providing connection and disconnection to a suitable mating component which shall not be engaged or disengaged when live. Depending on the fastening to a cabinet, panel, rack etc. or a cable, they are classified as fixed or free connectors. A connector comprises one or more contacts and a housing which may have a separate connector insert and a separate outer housing or shell.	The method for determining derating is specified in IEC 60 512-3. Here the combination of ambient temperature (Tu) and the current (I) leading to the same maximum allowable temperature (Tb) at the hottest point of the connector are plotted.
Connector housing	DIN
The part of a connector into which the insert and the contacts are assembled. It may function as part of the locking mechanism.	Deutsches Institut für Normung. A German standards organization.
Connector insert	Electromagnetic interference (EMI)
An insulating element designed to support and position contacts in a connector housing.	General term describing the undesirable effects of the immission or emission of radio frequency fields. In connectors electromagnetic interference is prevented by shielding. Shielded connectors normally provide means to connect the screens of attached cables.
Connector life	Funnel entry (restricted entry C146 D series)
The number of mating cycles prior to abrasion of the conductive contact surface and which does not result in a significant rise of the contact resistance. Tests according to test 9a of ICE 60512-5 / DIN EN 60512 Part 5.	Flared or widened entrance to a conductor barrel permitting easier insertion of the conductor.

Insertion or withdrawal force	Material group
The force required to fully insert or withdraw a set of mated connectors without the effect of coupling, locking or similar devices. The insertion force is usually greater than the withdrawal force.	Classification of insulation materials according to their CTI values (CTI = Comparative Tracking Index)
Insulation grip	Overvoltage category
The area of a crimp contact that has been reshaped around the insulation of the conductor by compression during the crimping operation.	A numeral defining a transient overvoltage condition. Overvoltage categories I, II, III and IV are used.
Insulation resistance	Connector with braking capacity (CBC)
The resistance of the insulation between two conductive elements, in particular, the resistance between two contacts or between a contact and a metallic housing or shield. Tested according to test 3a of IEC 60512-2 / DIN IEC 60512 Part 2.	A component which may be engaged or disengaged in normal use, when live or under load. Note: In the sense of this document the term - live- is used if contacts are under voltage not necessarily with a current flowing across the contacts. The term - load - is used if a current is flowing across the contacts.
Intermateable	Rated current
Two connectors are intermateable when they are capable of being connected electrically and mechanically but without regard to their performance and intermountability.	A current value assigned by the manufacturer which the connector or PSD can carry continuously (without interruption) and simultaneously through all its contacts wired with the largest conductor preferably at an ambient temperature of 40 °C without the upper temperature being exceeded.
Locator	Shield, shielding
In a crimping tool the device used for positioning a crimp contact or terminal end.	Shielding of internal or external electric fields by means of a plane with a uniform electric potential, formed by metal shells or metallic layers on the inside or outside of plastic shells. The shield is normally connected to the shielding braid of the cable and/or chassis ground.
Locking lever	Terminal block
A mechanical locking device operated by actuating a lever, designed to hold two mated connectors together. Typically the lever can only be fully locked if the two connectors are correctly mated.	An assembly of terminals in a housing or body of insulating material to facilitate interconnection between multiple conductors. Also called terminal strip or barrier blocks if the terminals are separated by an insulation barrier.
Mating cycle	Wire range
One mating cycle comprises one insertion and one withdrawal operation. Term used in the definition of connector life.	The range of wire cross sections which is compatible with the dimensions the terminals of the contact (wire barrel). The wire range is expressed in mm ² or in AWG numbers.

Stamped crimp contacts series C146, stripping length						
Termination crimp [mm ²]	Wire gauge		Insulation diameter of the wire [mm]	Min. stripping length [mm]	Contact Part Number	Series
	mm ²	AWG				
0.09 - 0.25	0.09 - 0.25	28 - 24	0.7 - 1.6	2.3 + 0.4	N01 010 0130 2 N02 010 0130 2	heavy mate® M heavy mate® M
0.14 - 0.5	0.14	26	1.0 - 2.0	3.0 + 0.5	N01 016 0003 N02 016 0003	heavy mate® D/M
	0.25	24-22				heavy mate® D/M
	0.5	20				
0.25 - 0.5	0.25	24-22	1.6 - 2.0	2.3 + 0.4	N01 010 0131 2 N02 010 0131 2	heavy mate® M
	0.5	20				heavy mate® M
0.5 - 1.5	0.5	20	1.8 - 2.8	3.5 + 1.0	N01 016 0002 N02 016 0002 N01 016 0015 N02 016 0015 N01 025 0001 N02 025 0001 N01 025 0007	heavy mate® D/M
	0.75	20 - 18				heavy mate® D/M
	1.0	18 - 16				heavy mate® D
	1.5	16 - 15				heavy mate® D heavy mate® D heavy mate® E/M heavy mate® E/M/S heavy mate® S
1.5 - 2.5	1.5	16 - 15	2.5 - 3.5	3.5 + 1.0	N01 016 0005 N02 016 0005 N01 016 0016 N02 016 0016 N01 025 0010 N02 025 0010 N01 025 0008	heavy mate® D/M
	2.5	14				heavy mate® D/M
						heavy mate® D heavy mate® D heavy mate® E/M heavy mate® E/M/S heavy mate® S
2.5 - 4.0	2.5	14	3.3 - 4.2	3.5 + 1.0	N01 025 0043 N02 025 0043	heavy mate® M
	4.0	12				heavy mate® M

Time saving through the introduction of stamped contacts

Wiring costs of different contacts



Break Even at about 60.000 contacts per year

General conditions	
Maturity (Depreciation)	5 years
Interest	8 %
Maintenance	5 %
Hourly wages	20 €

Non binding declarations are based on experienced values.

heavy|mate® Summary of Part Numbers

Part Number	Page	Part Number	Page	Part Number	Page	Part Number	Page
17D 438 SP	157, 166	C146 10A016 500 1	53	C146 10B007 000 2	27	C146 10B046 500 10	66
17 DM 537 401	158, 159, 268	C146 10A016 600 1	52	C146 10B007 500 2	27	C146 10B064 000 2	32
17 DM 537 405	158, 159, 268	C146 10A016 810 1	73	C146 10B007 500 12	175	C146 10B064 000 2	33
17 DM 537 421	158, 159, 268	C146 10A017 500 12	181	C146 10B008 000 2	27	C146 10B064 005 2	33
17 DM 537 425	158, 159, 268	C146 10A017 500 15	80, 97	C146 10B008 500 2	27	C146 10B064 060 2	32
C146 10A002 100 15	78, 85	C146 10A018 500 10	65	C146 10B008 500 12	177	C146 10B064 500 2	32
C146 10A002 900 15	80, 101	C146 10A020 500 15	80, 99	C146 10B008 500 15	79, 93	C146 10B064 500 2	33
C146 10A003 002 4	18	C146 10A024 000 1	55, 56	C146 10B010 000 1	51	C146 10B064 505 2	33
C146 10A003 102 3	112	C146 10A024 000 9	41	C146 10B010 002 1	50	C146 10B072 000 9	41
C146 10A003 500 15	78, 87	C146 10A024 002 1	54, 56	C146 10B010 002 4	19	C146 10B108 000 9	42
C146 10A003 501 15	87	C146 10A024 005 1	56	C146 10B010 102 1	50	C146 10B108 000 9	42
C146 10A004 002 4	18	C146 10A024 102 1	54, 56	C146 10B010 102 3	114	C146 10B108 005 9	42
C146 10A004 100 13	121	C146 10A024 102 1	56	C146 10B010 102 4	19	C146 10F002 000 15	221
C146 10A004 500 15	78, 89	C146 10A024 400 1	54	C146 10B010 400 1	50	C146 10F003 000 4	188
C146 10A004 901 15	80, 101	C146 10A024 500 1	55, 56	C146 10B010 500 1	51	C146 10F003 004 4	188
C146 10A005 500 12	171	C146 10A024 505 1	56	C146 10B010 500 10	65	C146 10F006 000 1	196
C146 10A006 000 1	49	C146 10A024 600 1	54	C146 10B010 600 1	50	C146 10F006 003 1	196
C146 10A006 002 1	48	C146 10A024 810 1	73	C146 10B010 810 1	72	C146 10F008 001 12	183
C146 10A006 100 13	121	C146 10A025 000 2	29, 31	C146 10B012 100 13	125	C146 10F010 000 1	198
C146 10A006 102 1	48	C146 10A025 005 2	31	C146 10B012 500 12	179	C146 10F010 001 1	200
C146 10A006 102 3	113	C146 10A025 060 2	29	C146 10B012 500 15	79, 95	C146 10F010 002 1	202
C146 10A006 102 5	107	C146 10A025 500 2	29, 31	C146 10B015 000 2	28	C146 10F010 003 1	200
C146 10A006 400 1	48	C146 10A025 505 2	31	C146 10B015 060 2	28	C146 10F010 090 1	198
C146 10A006 500 1	49	C146 10A032 500 10	66	C146 10B015 500 2	28	C146 10F015 000 2	190
C146 10A006 500 12	173	C146 10A040 000 2	30	C146 10B016 000 1	53	C146 10F015 003 2	190
C146 10A006 500 15	79, 91	C146 10A040 060 2	30	C146 10B016 002 1	52	C146 10F016 000 1	205
C146 10A006 600 1	48	C146 10A040 500 2	30	C146 10B016 002 3	115	C146 10F016 001 1	206
C146 10A006 810 1	72	C146 10A042 000 9	41	C146 10B016 002 4	20, 21	C146 10F016 002 1	208
C146 10A007 000 2	27	C146 10A042 500 13	123	C146 10B016 004 4	21	C146 10F016 003 1	206
C146 10A007 500 2	27	C146 10A046 500 10	66	C146 10B016 102 1	52	C146 10F024 000 1	211
C146 10A007 500 12	175	C146 10A064 000 2	32	C146 10B016 102 3	115, 116	C146 10F024 000 3	219
C146 10A008 000 2	27	C146 10A064 000 2	33	C146 10B016 102 4	20, 21	C146 10F024 001 1	212
C146 10A008 500 2	27	C146 10A064 005 2	33	C146 10B016 104 4	21	C146 10F024 002 1	214
C146 10A008 500 12	177	C146 10A064 060 2	32	C146 10B016 400 1	52	C146 10F024 003 1	212
C146 10A008 500 15	79, 93	C146 10A064 500 2	32, 33	C146 10B016 500 1	53	C146 10F025 000 2	192
C146 10A010 000 1	51	C146 10A064 505 2	33	C146 10B016 600 1	52	C146 10F025 003 2	192
C146 10A010 002 1	50	C146 10A072 000 9	41	C146 10B016 810 1	73	C146 10F032 000 4	195
C146 10A010 002 4	19	C146 10A108 000 9	42	C146 10B017 500 12	181	C146 10F048 001 1	218
C146 10A010 102 1	50	C146 10A108 005 9	42	C146 10B017 500 15	80, 97	C146 10F048 003 1	218
C146 10A010 102 3	114	C146 10B002 100 15	78, 85	C146 10B018 500 10	65	C146 10H000 000 15	81
C146 10A010 102 4	19	C146 10B002 900 15	80, 101	C146 10B020 500 15	80, 99	C146 10H000 000 15	103
C146 10A010 400 1	50	C146 10B003 002 4	18	C146 10B024 000 1	55, 56	C146 10H000 001 15	81
C146 10A010 500 1	51	C146 10B003 102 3	112	C146 10B024 000 9	41	C146 10H000 001 15	103
C146 10A010 500 10	65	C146 10B003 500 15	78, 87	C146 10B024 002 1	54, 56	C146 10N003 500 4	188
C146 10A010 600 1	50	C146 10B003 501 15	87	C146 10B024 005 1	56	C146 10N006 602 2	197
C146 10A010 810 1	72	C146 10B004 002 4	18	C146 10B024 102 1	54, 56	C146 10N006 603 1	197
C146 10A012 100 13	125	C146 10B004 100 13	121	C146 10B024 400 1	54	C146 10N006 603 2	197
C146 10A012 500 12	179	C146 10B004 500 15	78, 89	C146 10B024 500 1	55, 56	C146 10N006 606 2	197
C146 10A012 500 15	79, 95	C146 10B004 901 15	80, 101	C146 10B024 505 1	56	C146 10N006 607 1	197
C146 10A015 000 2	28	C146 10B005 500 12	171	C146 10B024 600 1	54	C146 10N006 607 2	197
C146 10A015 060 2	28	C146 10B006 000 1	49	C146 10B024 810 1	73	C146 10N006 802 2	197
C146 10A015 500 2	28	C146 10B006 002 1	48	C146 10B025 000 2	29, 31	C146 10N006 803 1	197
C146 10A016 000 1	53	C146 10B006 100 13	121	C146 10B025 005 2	31	C146 10N006 806 1	197
C146 10A016 002 1	52	C146 10B006 102 1	48	C146 10B025 060 2	29	C146 10N006 806 2	197
C146 10A016 002 3	115	C146 10B006 102 3	113	C146 10B025 500 2	29, 31	C146 10N006 807 1	197
C146 10A016 002 4	20, 21	C146 10B006 102 5	107	C146 10B025 505 2	31	C146 10N006 807 2	197
C146 10A016 004 4	21	C146 10B006 400 1	48	C146 10B032 500 10	66	C146 10N010 500 1	199
C146 10A016 102 1	52	C146 10B006 500 1	49	C146 10B040 000 2	30	C146 10N010 500 2	199
C146 10A016 102 3	115, 116	C146 10B006 500 12	173	C146 10B040 060 2	30	C146 10N010 501 1	199
C146 10A016 102 4	20, 21	C146 10B006 500 15	79, 91	C146 10B040 500 2	30	C146 10N010 501 2	199
C146 10A016 104 4	21	C146 10B006 600 1	48	C146 10B042 000 9	41	C146 10N010 508 2	203
C146 10A016 400 1	52	C146 10B006 810 1	72	C146 10B042 500 13	123	C146 10N010 509 1	203

heavy|mate® Summary of Part Numbers

Part Number	Page	Part Number	Page	Part Number	Page	Part Number	Page
C146 10N010 600 2	199	C146 10N024 606 1	213	C146 11F003 000 4	238	C146 21R006 606 1	196
C146 10N010 601 1	199	C146 10N024 606 2	213	C146 11F006 001 8	239	C146 21R006 606 8	196
C146 10N010 601 2	199	C146 10N024 607 2	213	C146 11F006 901 8	239	C146 21R006 656 1	196
C146 10N010 603 1	201	C146 10N024 608 1	215	C146 11F006 902 8	239	C146 21R006 656 8	196
C146 10N010 603 2	201	C146 10N024 608 2	215	C146 11F010 000 8	240	C146 21R006 804 1	196
C146 10N010 604 2	203	C146 10N024 802 1	213	C146 11F010 901 8	240	C146 21R006 854 8	196
C146 10N010 605 1	203	C146 10N024 802 2	213	C146 11F010 902 8	240	C146 21R010 500 1	198
C146 10N010 606 2	201	C146 10N024 804 1	215	C146 11F016 000 8	241	C146 21R010 500 4	190
C146 10N010 607 1	201	C146 10N024 804 2	215	C146 11F016 901 8	241	C146 21R010 500 8	198
C146 10N010 607 2	201	C146 10N024 806 1	213	C146 11F016 902 8	241	C146 21R010 502 8	202
C146 10N010 609 1	203	C146 10N024 806 2	213	C146 11F024 000 8	242	C146 21R010 506 1	200
C146 10N010 609 2	203	C146 10N024 808 1	215	C146 11F024 901 8	242	C146 21R010 506 8	200
C146 10N010 802 2	201	C146 10N025 500 2	193	C146 11F024 902 8	242	C146 21R010 550 1	198
C146 10N010 803 1	201	C146 10N025 600 2	193	C146 11N003 500 4	238	C146 21R010 550 4	190
C146 10N010 803 2	201	C146 10N025 601 2	193	C146 11R003 500 4	238	C146 21R010 550 8	198
C146 10N010 804 2	203	C146 10N025 606 2	193	C146 11R003 600 4	238	C146 21R010 552 1	202
C146 10N010 805 1	203	C146 10N025 607 2	193	C146 11R003 804 4	238	C146 21R010 552 8	202
C146 10N010 806 2	201	C146 10N025 806 2	193	C146 11R006 506 1	239	C146 21R010 556 1	200
C146 10N010 807 1	201	C146 10N032 500 4	195	C146 11R006 506 8	239	C146 21R010 556 8	200
C146 10N010 807 2	201	C146 10N032 550 4	195	C146 11R006 507 1	239	C146 21R010 600 1	198
C146 10N015 500 2	191	C146 10N032 600 4	195	C146 11R006 556 1	239	C146 21R010 600 4	190
C146 10N015 600 2	191	C146 10N032 650 4	195	C146 11R006 556 8	239	C146 21R010 600 8	198
C146 10N015 606 2	191	C146 10N048 803 1	218	C146 11R006 606 1	239	C146 21R010 602 8	202
C146 10N015 607 2	191	C146 10N048 807 1	218	C146 11R006 606 8	239	C146 21R010 606 1	200
C146 10N015 806 2	191	C146 10P006 000 15	82	C146 11R006 607 1	239	C146 21R010 606 8	200
C146 10N016 500 1	205	C146 10P010 000 15	82	C146 11R006 656 8	239	C146 21R010 607 1	200
C146 10N016 500 2	205	C146 10P016 000 15	82	C146 11R010 500 1	240	C146 21R010 607 8	200
C146 10N016 508 1	209	C146 10P024 000 15	83	C146 11R010 500 8	240	C146 21R010 650 1	198
C146 10N016 508 2	209	C146 10R003 500 4	188	C146 11R010 550 1	240	C146 21R010 650 4	190
C146 10N016 600 1	205	C146 10R003 600 4	188	C146 11R010 550 8	240	C146 21R010 650 8	198
C146 10N016 600 2	205	C146 10R003 601 4	188	C146 11R010 600 1	240	C146 21R010 652 1	202
C146 10N016 601 2	205	C146 10R003 804 4	188	C146 11R010 600 8	240	C146 21R010 652 8	202
C146 10N016 602 1	207	C146 10R008 550 12	183	C146 11R010 601 1	240	C146 21R010 656 1	200
C146 10N016 602 2	207	C146 10R008 606 12	183	C146 11R010 601 8	240	C146 21R010 656 8	200
C146 10N016 603 2	207	C146 10R008 650 12	183	C146 11R010 650 1	240	C146 21R010 802 1	198
C146 10N016 604 1	209	C146 10R010 902 8	204, 210	C146 11R010 650 8	240	C146 21R010 802 8	198
C146 10N016 604 2	209	C146 10R016 910 8	210	C146 11R016 500 1	241	C146 21R010 804 1	200
C146 10N016 606 1	207	C146 10R024 500 3	219	C146 11R016 500 8	241	C146 21R010 804 4	190
C146 10N016 606 2	207	C146 10R024 550 3	219	C146 11R016 501 8	241	C146 21R010 804 8	200
C146 10N016 607 2	207	C146 10R024 600 3	219	C146 11R016 550 1	241	C146 21R010 805 1	200
C146 10N016 608 1	209	C146 10R024 650 3	219	C146 11R016 550 8	241	C146 21R010 805 8	200
C146 10N016 608 2	209	C146 10R024 802 3	219	C146 11R016 600 1	241	C146 21R010 852 1	198
C146 10N016 802 1	207	C146 10R024 852 3	219	C146 11R016 600 8	241	C146 21R010 852 8	198
C146 10N016 802 2	207	C146 10R024 903 8	216	C146 11R016 601 8	241	C146 21R010 854 1	200
C146 10N016 804 1	209	C146 10R024 908 8	216	C146 11R016 650 1	241	C146 21R010 854 4	190
C146 10N016 804 2	209	C146 10S006 000 15	82	C146 11R016 650 8	241	C146 21R010 854 8	200
C146 10N016 806 1	207	C146 10S010 000 15	82	C146 11R024 500 1	242	C146 21R015 500 2	190
C146 10N016 806 2	207	C146 10S016 000 15	82	C146 11R024 500 8	242	C146 21R015 550 2	190
C146 10N024 500 1	211	C146 10S024 000 15	83	C146 11R024 501 8	242	C146 21R015 600 2	190
C146 10N024 500 2	211	C146 10Z000 002 8	167	C146 11R024 550 1	242	C146 21R015 650 2	190
C146 10N024 500 3	219	C146 10Z001 001 8	167	C146 11R024 550 8	242	C146 21R015 804 2	190
C146 10N024 508 1	215	C146 10Z002 001 8	167	C146 11R024 600 1	242	C146 21R015 854 2	190
C146 10N024 508 2	215	C146 10Z003 100 4	188	C146 11R024 600 8	242	C146 21R016 500 1	205
C146 10N024 600 1	211	C146 10Z006 100 1	197	C146 11R024 601 8	242	C146 21R016 500 4	192
C146 10N024 600 2	211	C146 10Z006 200 1	197	C146 11R024 650 1	242	C146 21R016 500 8	205
C146 10N024 600 3	219	C146 10Z010 100 1	204	C146 11R024 650 8	242	C146 21R016 501 8	205
C146 10N024 601 2	211	C146 10Z010 200 1	204	C146 21R002 000 15	221	C146 21R016 502 1	208
C146 10N024 602 1	213	C146 10Z015 100 2	191	C146 21R002 600 15	221	C146 21R016 502 8	208
C146 10N024 602 2	213	C146 10Z016 100 1	210	C146 21R006 506 1	196	C146 21R016 503 8	208
C146 10N024 604 1	215	C146 10Z016 200 1	210	C146 21R006 506 8	196	C146 21R016 506 1	206
C146 10N024 604 2	215	C146 10Z024 100 1	216	C146 21R006 507 1	196	C146 21R016 506 8	206
C146 10N024 605 2	215	C146 10Z025 100 2	193	C146 21R006 556 8	196	C146 21R016 507 8	206

heavy|mate® Summary of Part Numbers

Part Number	Page	Part Number	Page	Part Number	Page	Part Number	Page
C146 21R016 550 1	205	C146 21R025 600 2	192	C146 68N016 501 2	233	C146 N33 009 G1	258
C146 21R016 550 4	192	C146 21R025 650 2	192	C146 68N024 501 2	234	C146 N33 015 G1	258
C146 21R016 552 1	208	C146 21R025 804 2	192	C146 68R003 600 4	230	C146 N33 025 G1	258
C146 21R016 556 1	206	C146 21R025 854 2	192	C146 68R006 500 8	231	C146 N33 037 G1	258
C146 21R016 600 1	205	C146 21R032 500 4	194	C146 68R006 600 8	231	C146 N33 050 G1	258
C146 21R016 600 4	192	C146 21R032 501 4	194	C146 68R010 500 8	232	C146 P06 001 G8	136
C146 21R016 600 8	205	C146 21R032 502 4	194	C146 68R010 600 8	232	C146 P06 002 G8	136
C146 21R016 601 8	205	C146 21R032 550 4	194	C146 68R016 501 8	233	C146 P10 001 G8	136
C146 21R016 602 1	208	C146 21R032 552 4	194	C146 68R016 601 8	233	C146 P10 002 G8	136
C146 21R016 602 8	208	C146 21R032 600 4	194	C146 68R024 501 8	234	C146 P16 001 G8	136
C146 21R016 603 8	208	C146 21R032 601 4	194	C146 68R024 601 8	234	C146 P16 002 G8	136
C146 21R016 606 1	206	C146 21R032 650 4	194	C146 A00 001 E8	167, 130, 139	C146 P24 001 G8	137
C146 21R016 606 8	206	C146 21R032 802 4	194	C146 A02 001 E8	130, 141, 130	C146 P24 002 G8	137
C146 21R016 607 8	206	C146 21R032 803 4	194	C146 A02 801 E8	143	C146 P24 101 G8	137
C146 21R016 650 1	205	C146 21R032 852 4	194	C146 A03 001 E8	131, 147	C146 P24 102 G8	137
C146 21R016 650 4	192	C146 21R048 507 1	217	C146 A03 501 E8	133, 159	C146 S06 001 G8	136
C146 21R016 652 1	208	C146 21R048 508 1	217	C146 A03 801 E8	131, 145	C146 S06 002 G8	136
C146 21R016 656 1	206	C146 21R048 607 1	217	C146 A05 001 E8	132, 151	C146 S10 001 G8	136
C146 21R016 802 1	205	C146 21R048 608 1	217	C146 A05 100 G8	134, 165	C146 S10 002 G8	136
C146 21R016 802 8	205	C146 30F003 000 4	189	C146 A08 102 E8	134, 165	C146 S16 001 G8	136
C146 21R016 803 8	205	C146 30F003 004 4	189	C146 A10 001 E8	132, 155	C146 S16 002 G8	136
C146 21R016 804 1	206	C146 30F006 003 1	196	C146 A20 001 G8	133, 157	C146 S24 001 G8	137
C146 21R016 804 4	192	C146 30F008 001 12	183	C146 B00 001 E8	167	C146 S24 002 G8	137
C146 21R016 804 8	206	C146 30F010 003 1	200	C146 B01 001 E8	130, 139	C146 S24 101 G8	137
C146 21R016 805 8	206	C146 30F016 003 1	206	C146 B02 001 E8	130, 141	C146 S24 102 G8	137
C146 21R016 852 1	205	C146 30F024 003 1	212	C146 B02 801 E8	130, 143	C360 10D001 002 2	253
C146 21R016 854 1	206	C146 30N003 500 4	189	C146 B03 001 E8	131, 147	C360 G01 141 E2	253
C146 21R016 854 4	192	C146 30R003 500 4	189	C146 B03 501 E8	133, 159	C360 G01 341 E2	253
C146 21R024 500 1	211	C146 30R003 600 4	189	C146 B03 801 E8	131, 145	FG 0200 146 1	60, 149, 166
C146 21R024 500 8	211	C146 30R003 804 4	189	C146 B05 001 E8	132, 151	FG 0300 146 1	36, 37, 43, 95, 97, 101, 123, 155, 165, 166
C146 21R024 501 8	211	C146 30Z003 100 4	189	C146 B05 100 G8	134, 165	FG 1000 146	153
C146 21R024 502 1	214	C146 50F006 000 1	246	C146 B08 102 E8	134, 165	FG 0300 146 3	143, 145, 147, 159, 166
C146 21R024 502 8	214	C146 50F010 000 1	247	C146 B10 001 E8	132, 155	FG 0300 146 4	151, 166
C146 21R024 503 8	214	C146 50F016 000 1	248	C146 B20 001 G8	133, 157	FG 0300 146 7	61, 67, 91 93, 99
C146 21R024 506 1	212	C146 50F024 000 1	249	C146 C04 001 E8	131, 149	FG 0300 146 5000	87, 89, 123
C146 21R024 506 8	212	C146 50R006 507 1	246	C146 C05 001 E8	131, 149	FG 1000 146	143, 145 147, 149, 151, 155 157, 159, 167
C146 21R024 507 8	212	C146 50R006 607 1	246	C146 C05 801 E8	131, 149	N01 016 0002 1	34
C146 21R024 550 1	211	C146 50R010 500 1	247	C146 C10 001 G8	132, 153	N01 016 0003 1	34
C146 21R024 552 1	214	C146 50R010 600 1	247	C146 D04 001 E8	131, 149	N01 016 0005 1	34
C146 21R024 556 1	212	C146 50R016 500 8	248	C146 D05 001 E8	131, 149	N01 016 0040 8	268
C146 21R024 600 1	211	C146 50R016 600 8	248	C146 D05 801 E8	131, 149	N01 025 0001 1	58
C146 21R024 600 8	211	C146 50R024 501 8	249	C146 D10 001 E8	132, 153	N01 025 0010 1	58
C146 21R024 601 8	211	C146 50R024 601 8	249	C146 E12 001 E8	133, 161	N01 060 0004 1	141
C146 21R024 602 1	214	C146 67F006 000 8	224	C146 F12 001 G8	133, 161	N01 060 0007 1	141
C146 21R024 602 8	214	C146 67F010 000 8	225	C146 G01 014 G8	163, 134	N01 060 0008 1	141
C146 21R024 603 8	214	C146 67F016 000 8	226	C146 G01 024 G8	163, 134	N01 080 0003 1	85
C146 21R024 606 1	212	C146 67F024 000 8	227	C146 G02 014 G8	163, 134	N01 080 0004 1	85
C146 21R024 606 8	212	C146 67R006 507 1	224	C146 G02 024 G8	163, 134	N01 080 0005 1	85
C146 21R024 607 8	212	C146 67R006 607 1	224	C146 G05 003 G15	221	N01 100 6001 001	139
C146 21R024 650 1	211	C146 67R010 500 1	225	C146 H01 034 G8	163, 134	N01 100 6002 001	139
C146 21R024 652 1	214	C146 67R010 600 1	225	C146 H01 044 G8	163, 134	N01 100 6003 001	139
C146 21R024 656 1	212	C146 67R016 500 8	226	C146 H02 034 G8	163, 134	N02 016 0040 8	268
C146 21R024 802 1	211	C146 67R016 600 8	226	C146 H02 044 G8	163, 134	N02 060 6114 001	141
C146 21R024 802 8	211	C146 67R024 501 8	227	C146 N16 000 G1	263	N02 060 6117 001	141
C146 21R024 803 8	211	C146 67R024 601 8	227	C146 N24 000 G1	263	N02 060 6118 001	141
C146 21R024 804 1	212	C146 68F003 000 4	230	C146 N32 009 G1	258		
C146 21R024 804 8	212	C146 68F006 001 1	231	C146 N32 015 G1	258		
C146 21R024 805 8	212	C146 68F010 001 1	232	C146 N32 015 G2	258		
C146 21R024 852 1	211	C146 68F016 001 1	233	C146 N32 025 G1	258		
C146 21R024 854 1	212	C146 68F024 001 1	234	C146 N32 025 G2	258		
C146 21R025 500 2	192	C146 68N006 500 2	231	C146 N32 037 G1	258		
C146 21R025 550 2	192	C146 68N010 500 2	232	C146 N32 050 G1	258		

heavy|mate® Summary of Part Numbers

Part Number	Page	Part Number	Page	Part Number	Page	Part Number	Page
N02 060 6164 002	253	TA 0000 402	159	TN02 016 0005 1	153	VN01 025 0010 102	60, 149
N02 060 6165 002	253	TA 0001 146 000 1	36, 153	TN02 016 0005 2	36, 153	VN01 025 0029 1C	151, 267
N02 080 0003 1	85	TA 0002 146 000 1	36, 153	TN02 016 0015 1	36, 153	VN01 025 0030 1C	151, 267
N02 080 0004 1	85	TA 0003 146 000 1	149	TN02 016 0016 1	36, 153	VN01 025 0031 1C	151, 267
N02 080 0005 1	85	TA 0004 146 000 1	60, 149	TN02 025 0001 1	60, 149	VN01 025 0032 1C	151, 267
N02 080 0006 1	85	TA 0005 146 000 3	60, 149	TN02 025 0010 1	60, 149	VN01 025 0033 1C	151, 267
N02 100 6121 002	139	TA 0007 146 000 3	36, 153	TN02 025 0043 1	149	VN01 025 0035 1C	61, 67, 91
N02 100 6122 002	139	TA 0010 146 000 1	37, 43	TP 0000 146 1400	87, 89, 123		93, 99, 171
N02 100 6123 002	139	TA 0010 146 000 1	101, 123	VN01 010 0130 2	157		177, 267
N06 080 0003 1	258	TA 0010 146 000 1	155, 165	VN01 010 0131 2	157	VN01 025 0035 2C	61, 67, 91
N06 080 0003 2	258	TA 0010 146 000 2	145, 151	VN01 016 0002 1	36, 153		93, 99, 171, 177
N06 080 0003 3	258	TA 0010 146 000 3	151	VN01 016 0002 2	36, 153	VN01 025 0036 1C	61, 67, 91
N06 080 0003 4	258	TA 0010 146 000 4	145, 147	VN01 016 0003 1	36, 153		93, 99, 171
N07 045 0001 L	258	TA 0010 146 000 5	147	VN01 016 0003 2	36, 153		177, 267
N09 146 000 6	261	TA 0010 146 000 6	61, 67, 91	VN01 016 0005 1	36, 153	VN01 025 0036 2C	61, 67, 91
N09 146 000 7	261		93, 99	VN01 016 0005 2	36, 153		93, 99, 171, 177
N09 146 000 8	261	TA 0010 146 000 7	61, 67, 91	VN01 016 0015 1	36	VN01 025 0037 1C	61, 67, 91
N09 146 000 9	261		93, 99	VN01 016 0016 1	36		93, 99, 171
N15 006 000 9Z	145, 147	TA 0100 146	36, 43, 95	VN01 016 0024 1C	37, 43, 95		177, 267
N15 010 000 7Z	145, 147		97, 123, 153		97, 123, 155	VN01 025 0037 2C	61, 67, 91
N 15 043 0003 003	143, 141	TA 0200 146	157		161, 173, 175		93, 99, 171, 177
N16 016 0112 1	254	TA 0500	36, 37, 43, 61		179, 181, 267	VN01 025 0038 1C	61, 67, 91
N16 020 0112 1	254		67, 91, 93, 99	VN01 016 0024 2C	37, 43, 95		93, 99, 171
N16 025 0112 1	254		123		97, 101, 155		177, 267
N16 025 0112 5X	245	TB 0000 146 0008	87, 89, 123		161, 165, 175	VN01 025 0038 2C	61, 67, 91
N16 032 0112 1	254	TB 0200 146	145, 147		179, 181		93, 99, 171, 177
N16 032 0112 5X	245	TB 0500 146	155	VN01 016 0025 1C	37, 43, 95	VN01 025 0039 1C	61, 67, 91
N16 040 0112 1	254	TB 0600 146	60, 61, 67, 91		97, 123, 155		93, 99, 171
N16 040 0112 5X	245		93, 99		161, 173, 175		177, 267
N17 028 000 1	179	TB 0700 146	87, 89, 123		179, 181, 267	VN01 025 0039 2C	61, 67, 91
N17 045 000 1	171, 177	TE0500	253	VN01 016 0025 2C	37, 43, 95		93, 99, 171, 177
N17 059 000 1	175	TE0500 041	253		97, 101, 155	VN01 025 0043 1	149
N17 059 000 2	175	TE0500 061	253		161, 165, 175	VN01 025 0055 1C	61
N18 146 000 7	101	TE0500 081	253		179, 181	VN01 025 0055 2C	61
N25 033 000 1	260	TE 0500 103	139	VN01 016 0026 1C	37, 43, 95	VN01 036 0001 1C	145, 147,
N25 046 000 1	260	TE 0500 201	139		97, 123, 155		167
N25 061 000 1	260	TE 0500 301	139		161, 173, 175	VN01 036 0002 1C	267, 145
N25 066 000 2	260	TE 0600 022	85, 141		179, 181, 267		147
N25 082 000 2	260	TE 0600 042	85, 141	VN01 016 0026 2C	37, 43, 95	VN01 036 0003 1C	267, 145,
N25 093 000 1	260	TE 0600 062	141		97, 101, 155		147
N25 108 000 1	260	TE 0600 063	143		161, 165, 175	VN01 036 0004 1C	145, 147,
N25 108 000 2	260	TN01 010 0130 2	157		179, 181		267
TA 0000	36, 37, 43, 60	TN01 010 0131 2	157	VN01 016 0027 1C	37, 43, 95	VN01 036 0005 1C	145, 147,
	61, 67, 91, 93	TN01 016 0002 1	36, 153		97, 123, 155		267
	99, 123, 145, 145, 147	TN01 016 0002 2	36, 153		161, 173, 175	VN01 036 0021 1C	143
	147, 149, 151, 153, 155	TN01 016 0003 1	36		179, 181, 267	VN01 040 0010 1C	87, 89, 123
	159, 159	TN01 016 0003 1	153	VN01 016 0027 2C	37, 43, 95		173, 267
TA 0000 121	149	TN01 016 0003 2	36, 153		97, 101, 155	VN01 040 0011 1C	87, 89, 123
TA 0000 124	61, 67, 91, 93	TN01 016 0005 1	36, 153		161, 165, 175		173, 267
	99, 145, 145	TN01 016 0005 2	36, 153		179, 181	VN01 040 0012 1C	87, 89, 123
	147, 151	TN01 016 0015 1	36, 153	VN01 016 0028 1C	37, 43, 95		173, 267
TA 0000 141	36, 60, 149, 153	TN01 016 0016 1	36, 153		97, 123, 155	VN01 040 0013 1C	87, 89, 123
TA 0000 144	61, 67, 91	TN01 025 0001 1	60, 149		161, 173, 175		173, 267
	93, 99, 145	TN01 025 0010 1	60, 149		179, 181, 267	VN01 040 0015 1C	87
	147, 151	TN01 025 0043 1	149	VN01 016 0028 2C	37, 43, 95	VN02 010 0130 2	157
TA 0000 163	36, 60, 149	TN02 010 0130 2	157		97, 101, 155	VN02 010 0131 2	157
	153	TN02 010 0131 2	157		161, 165, 175	VN02 016 0002 1	36, 153,
TA 0000 180	145, 147	TN02 016 0002 1	36, 153		179, 181		136, 153
TA 0000 184	37, 43, 101	TN02 016 0002 2	36, 153	VN01 016 0040 8 X	155	VN02 016 0003 1	36, 153
	123, 155, 165	TN02 016 0003 1	36, 153	VN01 025 0001 101	60, 149	VN02 016 0003 2	36, 153
TA 0000 202	36, 153	TN02 016 0003 2	36, 153	VN01 025 0001 102	60, 149	VN02 016 0005 1	36, 153
TA 0000 401	159	TN02 016 0005 1	36	VN01 025 0010 101	60, 149	VN02 016 0005 2	36, 153

heavy|mate® Summary of Part Numbers

Part Number	Page	Part Number	Page	Part Number	Page	Part Number	Page
VN02 016 0015 1	36		93, 99, 171, 177	VN16 250 0133 X	255		
VN02 016 0016 1	36	VN02 025 0037 1C	61, 67, 91	VN16 320 0102 V	254		
VN02 016 0024 1C	37, 43, 95		93, 99, 171	VN16 320 0103 V	254		
	9 7, 123, 155		177, 267	VN16 320 0114 X	254		
	161, 173, 175	VN02 025 0037 2C	61, 67, 91	VN16 320 0126 X	255		
	179, 181, 267		93, 99, 171, 177	VN16 320 0127 X	255		
VN02 016 0024 2C	37, 43, 95	VN02 025 0038 1C	61, 67, 91	VN16 320 0133 X	255		
	97, 101, 155		93, 99, 171	VN16 400 0114 X	254		
	161, 165, 175		177, 267	VN16 400 0126 X	255		
	179, 181	VN02 025 0038 2C	61, 67, 91	VN16 400 0127 X	255		
VN02 016 0025 1C	37, 43, 95		93, 99, 171, 177	VN16 400 0133 X	255		
	97, 123, 155	VN02 025 0039 1C	61, 67, 91	VN16 500 0114 X	254		
	161, 173, 175		93, 99, 171	VN17 050 0004	256		
	179, 181, 267		177, 267	VN17 050 0004	256		
VN02 016 0025 2C	37, 43, 95	VN02 025 0039 2C	61, 67, 91	ZN01 010 0130 2	57		
	97, 101, 155		93, 99, 171, 177	ZN01 010 0131 2	157		
	161, 165, 175	VN02 025 0043 1	149	ZN01 016 0002 1	36, 153		
	179, 181	VN02 025 0055 1C	61	ZN01 016 0002 2	36, 153		
VN02 016 0026 1C	37, 43, 95	VN02 025 0055 2C	61	ZN01 016 0003 1	36, 153		
	97, 123, 155	VN02 036 0001 1C	145, 147, 267	ZN01 016 0003 2	36, 153		
	161, 173, 175	VN02 036 0002 1C	145, 147, 267	ZN01 016 0005 1	36, 153		
	179, 181, 267	VN02 036 0003 1C	145, 147, 267	ZN01 016 0005 2	36, 153		
VN02 016 0026 2C	37, 43, 95	VN02 036 0004 1C	145, 147, 267	ZN01 016 0015 1	36, 153		
	97, 101, 155	VN02 036 0005 1C	145, 147, 267	ZN01 016 0016 1	36, 153		
	161, 165, 175	VN02 036 0021 1C	143	ZN01 025 0001 1	60, 149		
	179, 181	VN02 040 0010 1C	87, 89	ZN01 025 0001 2	60, 149		
VN02 016 0027 1C	37, 43, 95	VN02 040 0010 1C	123, 173	ZN01 025 0010 1	60, 149		
	97, 123, 155	VN02 040 0011 1C	87, 89	ZN01 025 0010 2	60, 149		
	161, 173, 175,		123, 173	ZN02 010 0130 2	157		
	179, 181, 267	VN02 040 0012 1C	87, 89	ZN02 010 0131 2	157		
VN02 016 0027 2C	37, 43, 95		123, 173	ZN02 016 0002 1	36, 153		
	97, 101, 155	VN02 040 0013 1C	87, 89	ZN02 016 0002 2	36, 153		
	161, 165, 175		123, 173	ZN02 016 0003 1	36, 153		
	179, 181	VN02 040 0015 1C	87	ZN02 016 0003 2	36, 153		
VN02 016 0028 1C	37, 43, 95	VN03 030 0020	256	ZN02 016 0005 1	36, 153		
	97, 123, 155	VN03 030 0021	256	ZN02 016 0005 2	36, 153		
	161, 173, 175	VN03 030 3000 X	256	ZN02 016 0015 1	36, 153		
	179, 181, 267	VN13 040 0008 1 X	256	ZN02 016 0016 1	36, 153		
VN02 016 0028 2C	37, 43, 95	VN13 040 0009 1 X	256	ZN02 025 0001 1	60, 149		
	97, 101, 155	VN13 040 0012 1 X	256	ZN02 025 0001 2	60, 149		
	161, 165, 175	VN13 040 0013 1 X	256	ZN02 025 0010 1	60, 149		
	179, 181	VN13 040 0014 1 X	256	ZN02 025 0010 2	60, 149		
VN02 016 0040 8 X	155	VN16 020 0113 (1) X	255				
VN02 025 0001 101	60, 149	VN16 025 0113 (1) X	255				
VN02 025 0001 102	60, 149	VN16 032 0113 (1) X	255				
VN02 025 0010 101	60, 149	VN16 040 0113 (1) X	255				
VN02 025 0010 102	60, 149	VN16 160 0102 V	254				
VN02 025 0029 1C	151, 267	VN16 160 0126 X	255				
VN02 025 0030 1C	151, 267	VN16 160 0127 X	255				
VN02 025 0031 1C	151, 267	VN16 160 0133 X	255				
VN02 025 0032 1C	151, 267	VN16 200 0102 V	254				
VN02 025 0033 1C	151, 267	VN16 200 0103 V	254				
VN02 025 0035 1C	61, 67	VN16 200 0113 X	254				
VN02 025 0035 1C	91, 93	VN16 200 0114 X	254				
VN02 025 0035 1C	99	VN16 200 0126 X	255				
VN02 025 0035 1C	171, 177, 267	VN16 200 0127 X	255				
VN02 025 0035 2C	61, 67, 91	VN16 200 0133 X	255				
	93, 99, 171, 177	VN16 250 0102 V	254				
VN02 025 0036 1C	61, 67, 91	VN16 250 0103 V	254				
	93, 99, 171	VN16 250 0114 X	254				
	177, 267	VN16 250 0126 X	255				
VN02 025 0036 2C	61, 67, 91	VN16 250 0127 X	255				

International

Argentina

Amphenol Argentina
Av. Callao 930
2nd Floor Office B "Plaza"
C1023 AAP Buenos Aires
Phone +54 11 4815 68 86
www.amphenol.com.ar

Australia

Amphenol Australia Pty. Ltd.
2 Fiveways Blvd
Keysborough
Victoria 31 73
Phone +61 3 8796 88 88
www.amphenol.com.au

Brazil

Amphenol do Brasil Ltda.
Rua Diogo Moreira 132, 20th Floor
CEP 05423-101 Sao Paulo SP
Phone +55 11 3815 10 03
www.amphenol.com.br

China

Amphenol-Tuchel Electronics
China Branch
20 Tianshan Road
Changzhou 213022
Phone +86 519 85 11 03 01
www.amphenol.info

France

Amphenol Socapex S.A.S.
948, Promenade de l'Arve, BP 29
Thyez Cedex, 74311
Phone +33 4 5089 28 00
www.amphenol-socapex.com

Germany

Amphenol-Tuchel Electronics GmbH
August-Haesser-Str. 10
74080 Heilbronn
Phone +49 7131 929 0
www.amphenol.de

India

Amphenol Interconnect India Pvt Ltd
105, Bhosari Industrial Area
Pune - 411 026
Phone +91 20 2712 04 81
www.amphenol-in.com

Italy

Amphenol-Tuchel Italy
Via Barbaiana n. 5
20020 Lainate (MI)
Phone +39 02 9325 41
www.amphenol.info

Korea

Amphenol DaeShin Elect and
Precision Co.,Ltd
558 Songnae-Dong, Sosa-Gu
Bucheon-City, Kyunggi-Do
Korea 422-130
Phone +82 32 6103 800
www.amphenol.co.kr

Mexico

Amphenol Mexico
Prolongacion Reforma 61 - 6 B2
Col. Paseo de las Lomas
C.P. 01330 Mexico D.F.
Phone +52 55 5258 99 84
www.amphenolmexico.com

Singapore

Asia Pacific Sales Operations
72 Bendemeer Rd, No.03-32/33
Hiap Huat House, Luzerne, 339941
Singapore
Phone +65 6294 2128
www.amphenol.com

South Africa

Amphenol International Ltd
Chislehurst
30 Impala Road
2196 Chislehurst
Sandton, 2146
Phone +27 11 7839 517
www.amphenol.co.za

Spain

Amphenol Espana
Edificio Burgosol, Oficina 55
C/Comunidad de Madrid, 35 bis
Las Rozas (Madrid), 28230
Phone +34 91 6407 302
www.amphenol.com

Taiwan

Amphenol East Asia Limited-Taiwan
5F, No. 361, Fusing 1st Rd
Gueishan Township,
Taoyuan County 333
Phone +886 3 2647 200
www.amphenol.com

Amphenol LTW Technology Co., Ltd.
9F, No. 657-12, Zhongzheng Road
Xinzhuang Dist., New Taipei City
242 Taiwan
Phone +886 2 2908 5626
sales@ltw-tech.com
www.amphenolltw.com

Turkey

Amphenol Turkey
Sun Plaza Kat: 15
Maslak Mah. Bilim Sok.No:15
34398 Sisli - Istanbul
Phone: +90 2123 679 220
www.amphenol.com.tr

United Kingdom

Amphenol Limited
Thanet Way, Whitstable
Kent, CT53JF
Phone +44 1227 773 200
www.amphenol.co.uk

USA

Amphenol-Tuchel Electronics /
Amphenol Sine Systems
44724 Morley Drive
48036 Clinton Township, MI
Phone +1 586 913 8630
www.amphenol.info

Amphenol Corporation
Corporate Headquarters
358 Hall Avenue
Wallingford, CT 06492
Phone +1 877 2674 366
Phone +1 203 2658 900
www.amphenol.com

More Amphenol companies can be
found here: www.amphenol.com



Important Notice

All technical data have been measured in a laboratory environment and can be different during practical usage of the product. Any product information is for descriptive usage only and not legally binding; particularly the information does not constitute or provide any legal guaranties ("Beschaffenheitsgarantie" or "Haltbarkeitsgarantie").

We reserve the right to change the design due to improvement in quality, development or production requirements. This catalogue must not be used in any form or manner without our prior approval in writing (Copyright Law, Fair Trading Law, Civil Code).

Your engineering sales representative: