

### FEATURES

- Two AD8222 circuits
- Dual channel
- Differential out
- Easy to connect screw terminals
- Decoupled supply lines
- Pads for RFI filtering

### GENERAL DESCRIPTION

The AD8222-EVALZ has two AD8222 instrumentation amplifier circuits: one circuit is configured for dual-channel operation, while the other is configured for single-channel, differential output operation. Inputs, outputs, references, and the supplies are routed to screw terminals for easy connectivity.

The PCB board has four layers. The top and bottom layers are used for routing, and the two internal layers are ground planes. The ground plane was removed underneath the  $R_G$  resistors. This is a precaution against any capacitance mismatch at the two  $R_G$  pins, which may affect ac CMRR.

### JUMPER SETTINGS

Table 1.

Jumpers	Purpose	Default
J1A, J1B, J11	Connect inputs together	Unconnected
J2A, J2B, J12, J13	Connect reference pins to ground	Connected

In the default factory setting, the reference pins of the AD8222 are connected to GND through J2A, J2B, J12, and J13. Therefore, in the shipping configuration, W2A:REF1, W2B:REF2, W13:REF2, and W13:+IN2 are connected to GND. To disconnect the terminal from GND, remove the corresponding jumper.

### QUICK START

The quick start feature assumes that the jumpers are in their factory default positions.

To begin:

- Connect ground lead to GND.
- Connect a 15 V supply to +Vs.
- Connect a -15 V supply to -Vs.
- Ground -IN1.
- Connect a 1V p-p, 1 kHz source signal to +IN1. A replica of the signal should now appear at OUT1.

#### Rev. 0

Information furnished by Analog Devices is believed to be accurate and reliable. However, no responsibility is assumed by Analog Devices for its use, nor for any infringements of patents or other rights of third parties that may result from its use. Specifications subject to change without notice. No license is granted by implication or otherwise under any patent or patent rights of Analog Devices. Trademarks and registered trademarks are the property of their respective owners.

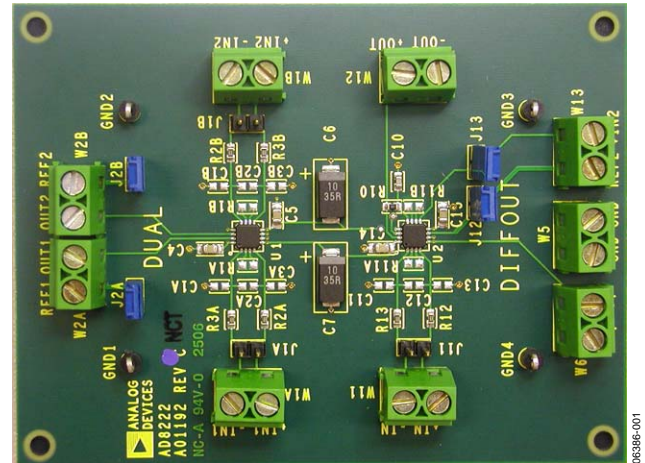


Figure 1. AD8222-EVALZ Evaluation Board Photo

### SETTING THE GAIN

The gain setting resistors are R1A and R1B for the dual-channel part and R11A for the differential output part. The pads are sized for 0603-sized resistors, although 0402 and 0805 sizes can also be used.

### EMI FILTERING

The board comes with 0603 component pads for an EMI filter. These components are shown in Table 2.

Table 2.

Channel	Components
Dual Channel A	R3A, R2A, C1A, C2A, C3A
Dual Channel B	R3B, R2B, C1B, C2B, C3B
Differential Output Channel	R13, R12, C11, C12, C13

The board, as shipped, does not contain EMI filtering. The resistors pads are populated with 0  $\Omega$  resistors, and the capacitors are not populated.

See the [AD8222](#) data sheet for more information on EMI filtering.

# AD8222-EVALZ

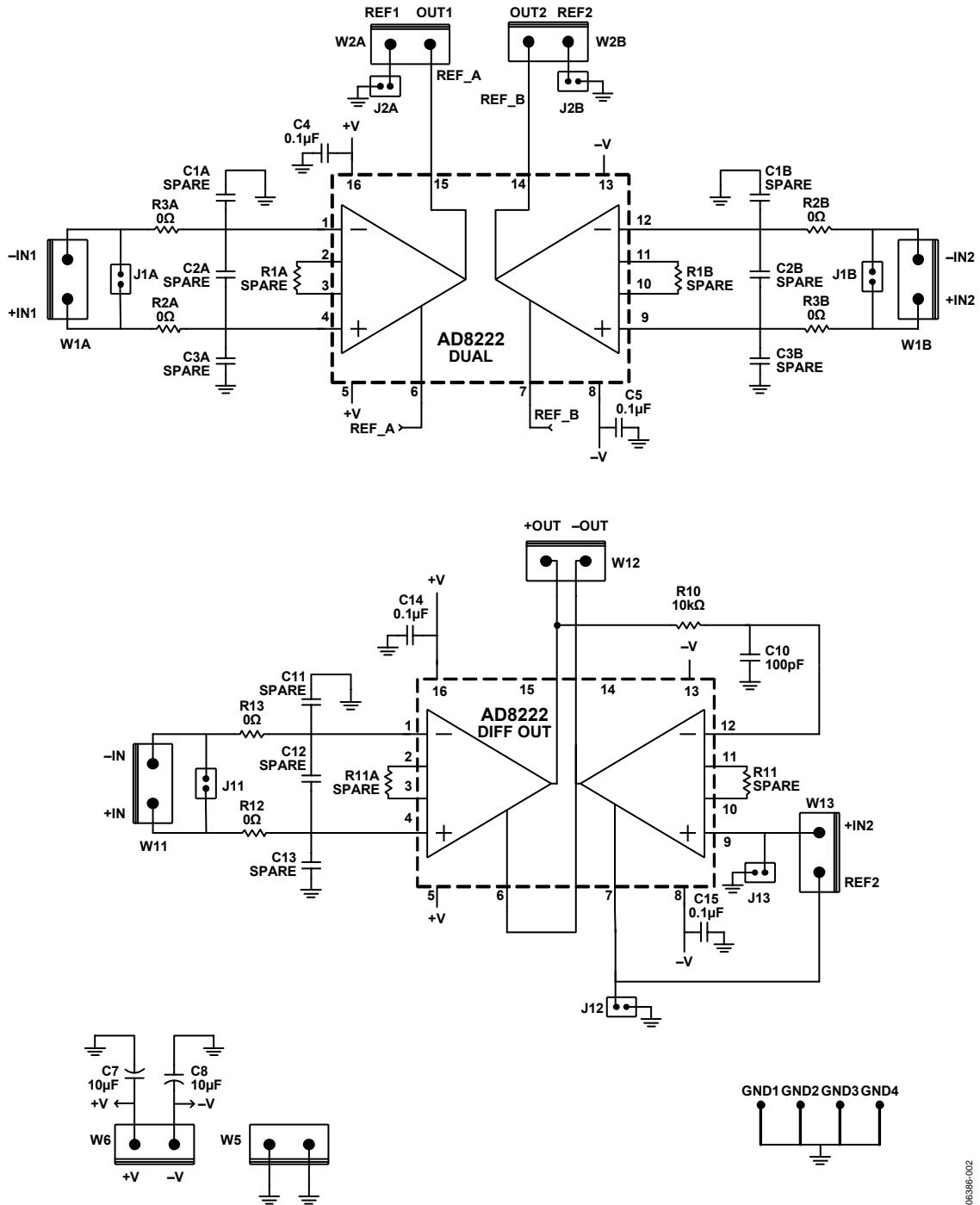


Figure 2. AD8222-EVALZ Evaluation Board Schematic

06386-002

## ESD CAUTION



**ESD (electrostatic discharge) sensitive device.** Charged devices and circuit boards can discharge without detection. Although this product features patented or proprietary protection circuitry, damage may occur on devices subjected to high energy ESD. Therefore, proper ESD precautions should be taken to avoid performance degradation or loss of functionality.

## ORDERING GUIDE

Model	Description
AD8222-EVALZ <sup>1</sup>	Evaluation Board

<sup>1</sup> Z = Pb-free part.