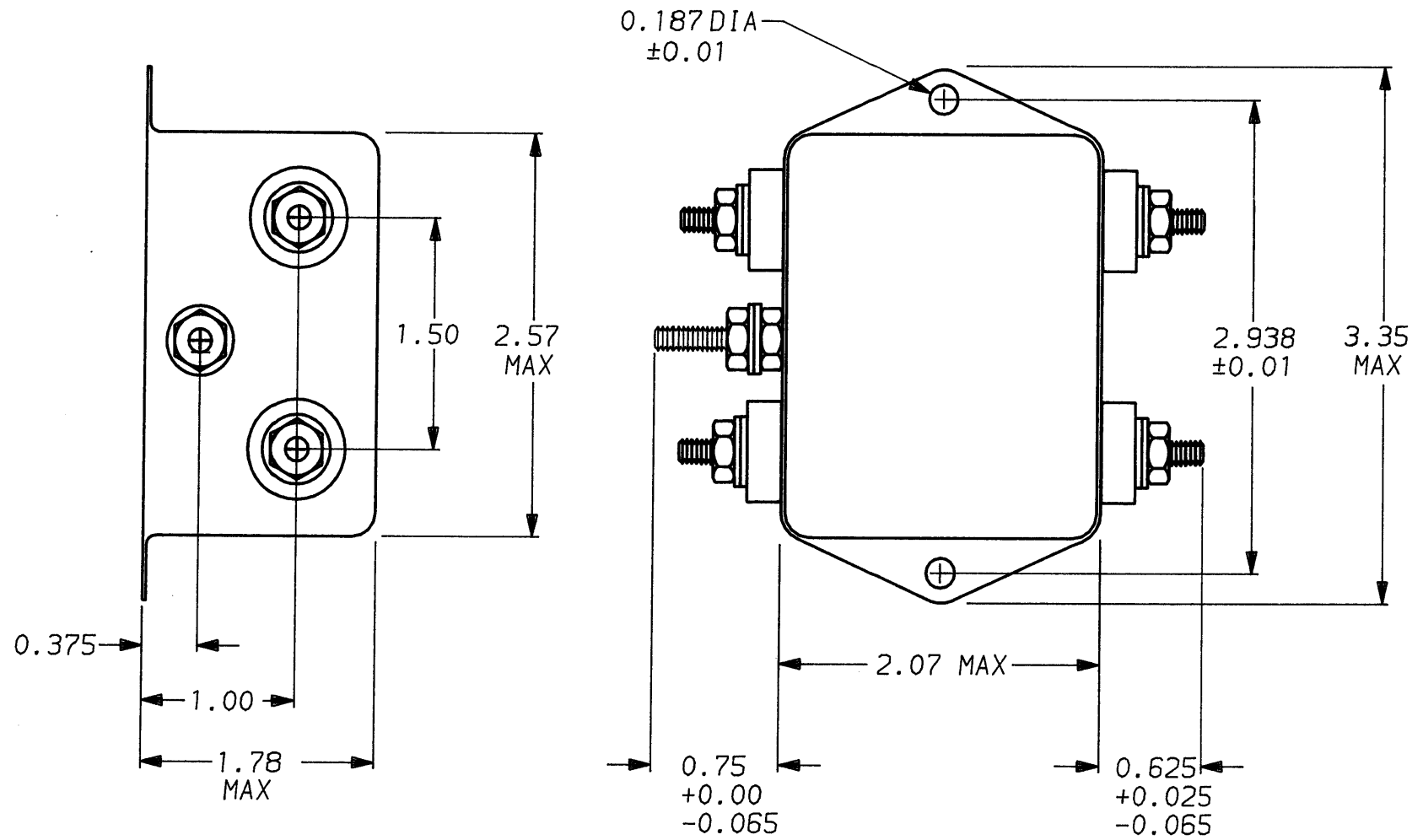


DESCRIPTION	APPROVED BY	DATE	REV
	C. Westbury	11-30-90	0
ECO-09-026495	AEG	10DEC09	1



SAFETY ORGANIZATION(S):

THIS FILTER HAS BEEN FORMALLY RECOGNIZED, CERTIFIED OR APPROVED BY THE LISTED AGENCY. THEREFORE, ALL TEST/REQUIREMENTS SPECIFIED IN THE LATEST REVISION OF THE FOLLOWING AGENCY STANDARDS HAVE BEEN MET:

- UL RECOGNIZED
- CSA CERTIFIED (PENDING)
- VDE APPROVED (PENDING)
- OPERATING SPECIFICATIONS:
- LINE VOLTAGE/CURRENT:
- LINE FREQUENCY:
- MAX. LEAKAGE CURRENT, EACH
- OPERATING AMBIENT TEMP. RANGE:
- IN AN AMBIENT, T_a , HIGHER THAN 40°C, THE MAXIMUM OPERATING CURRENT, I_o , IS AS FOLLOWS:

- UL 1283
- CSA 22.2, NO.0,0.4,8
- VDE 565-3
- 20 AMP., 120/250 VAC
- 16 AMP./40°C, 250 VAC
- 50-60Hz
- .50 mA @ 120V 60 Hz
- .83 mA @ 250V 50 Hz
- 10°C TO +40°C @ RATED CURRENT, I_r
- $I_o = I_r \sqrt{\frac{85-T_a}{45}}$

RELIABILITY SPECIFICATIONS:

- STORAGE TEMPERATURE:
- HUMIDITY:
- CURRENT OVERLOAD TEST:

- 40°C TO +85°C
- 21 DAYS @ 40°C 95% RH
- 6 TIMES RATED CURRENT FOR 8 SECONDS

TEST SPECIFICATIONS:

- INDUCTANCE:
- CAPACITANCE: (MEASURED @ 1 KHz, 0.25 VAC MAX., 25°C ±1°C)
- DISCHARGE RESISTOR
- LINE/GROUND AND LINE/LINE
- INSULATION RESISTANCE

- .54 mH NOMINAL
- .0055µF ±20%
- 1.08µF ±20%
- 330KΩ
- 6000 MΩ (MIN) AT 100 VDC
- 20°C AND 50% RH

RECOMMENDED RECEIVING INSPECTION HIPOT:

- LINES TO GROUND:
- LINE TO LINE:

- 2250 VDC FOR 1 MINUTE
- 1450 VDC FOR 1 MINUTE

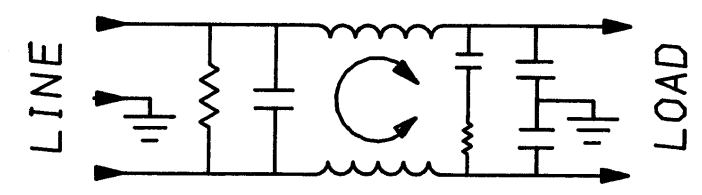
FILTER APPROVAL:

THE BEST WAY TO SELECT AND QUALIFY A FILTER IS FOR YOUR ENGINEERING TO TEST THE UNIT IN YOUR EQUIPMENT.

1 OBSOLETE PARTS: OBSOLETE CIS STREAMLINING PER D.RENAUD/D.SINISI

1-4609034-0 OBSOLETE **1**

1-6609034-0



		50Ω - 50Ω (MINIMUM) INSERTION LOSS							
FREQUENCY MHz		.15	.5	1	2	5	10	20	30
COMMON dB		10	23	30	34	39	44	49	55
DIFF. dB		20	43	55	62	65	60	55	55

TOLERANCE EXCEPT AS NOTED

DECIMAL: .XXX .XX .X ANGLES ± 1°

ENGLISH: ±.025

METRIC: ±

MATERIAL: AS SUPPLIED

FINISH: AS SUPPLIED



POWER LINE FILTER

This document is proprietary to CORCOM INC. and is not to be reproduced nor used for manufacturing purposes except on CORCOM's order or prior written consent.

SCALE	DATE	DRG. NO.	REV.
NTS	11-5-90	20VDK6.	1
DRW. BY	ORIGINATOR		
CFW	CFW		