



# PRODUCT DATASHEET

## Leila series

last update 23/5/2012

### DETAILS

<b>Product Number</b>	FA11449_LC1-M2
<b>Family</b>	Leila
<b>Type</b>	Assembly
<b>Color</b>	black
<b>Diameter</b>	21,6 mm
<b>Height</b>	16,5 mm
<b>Style</b>	round
<b>Optic Material</b>	PMMA
<b>Holder Material</b>	
<b>Fastening</b>	tape
<b>Status</b>	production ready
<b>ROHS Compliant</b>	Yes
<b>Date Updated</b>	23/05/2012



### OPTICAL PROPERTIES

LED	Viewing Angle	Light Beam	Efficiency	cd/lm	Connector
XR-E	sim: 28	M2-class	-	-	-

D

C

B

A

4

4

3

3

2

2

1

1

Lens

Holder

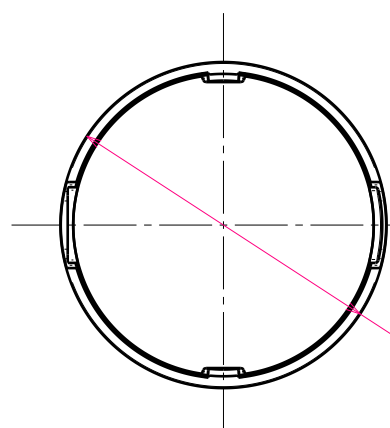
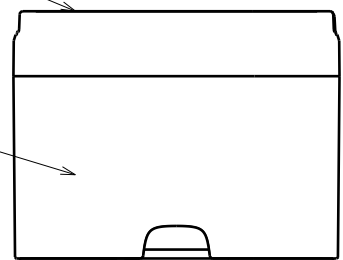
Tape 0,2mm

16.5

Side view

Top view

Ø21.6



MATERIALS  
 Lens: PMMA  
 Holder: PC  
 Tape: PU Foam

Part no.s:  
 FA10652\_LC1-M  
 FA10653\_LC1-RS  
 FA10654\_LC1-REC  
 FA10655\_LC1-D  
 FA11045\_LC1-W-Tape  
 FA11105\_LC1-O-90  
 FA11373\_LC1-MD-Tape  
 FA11449\_LC1-M2

This drawing is our property.  
 It can't be reproduced  
 or communicated without  
 our written agreement.



L T F F e i n e i n

DRAWING TITLE  
**Datasheet Assembly LC1-series**

DRAWN BY  
 p DATE  
 17.01.2011

CHECKED BY  
 t k DATE  
 25.09.2008

DESIGNED BY  
**HH** DATE  
 24.07.2008

SIZE A4 DRAWING NUMBER - REV 1

SCALE 2:1 WEIGHT (g) - SHEET 1/1

D

A

**NOTE: The typical divergence will be changed by different color, chip size and chip position tolerance. The typical total divergence is the full angle measured where the luminous intensity is half of the peak value.**