
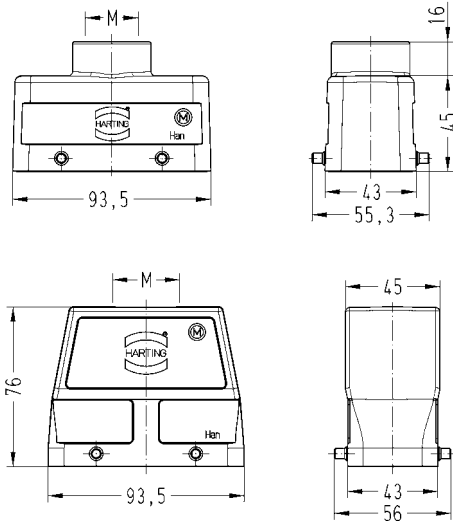

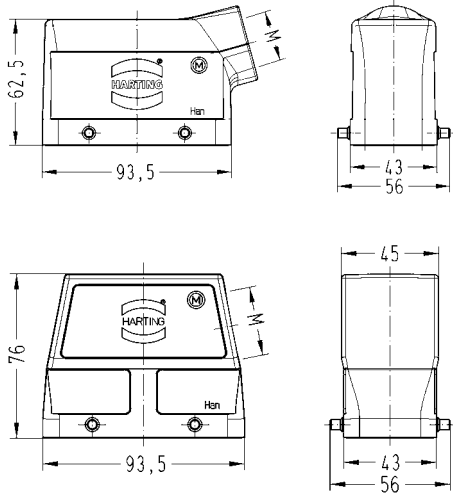

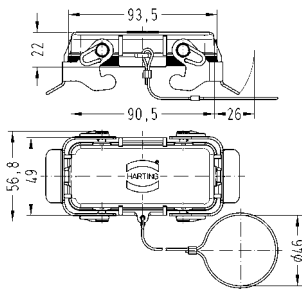




double locking lever

Identification	Cable entry	Part number		Drawing Dimensions in mm
		Low construction	High construction	
Han® M, Hoods, top entry  	1xM25 1xM32	19 37 016 1421	19 37 016 0427	
Han® M, Hoods, side entry  	1xM25 1xM32 1xM40	19 37 016 1521	19 37 016 0527 19 37 016 0528	
Han® M, Protection cover for hoods, metal, with securing flex  		09 37 016 5402	09 37 016 5402	

Hoods  
Housings