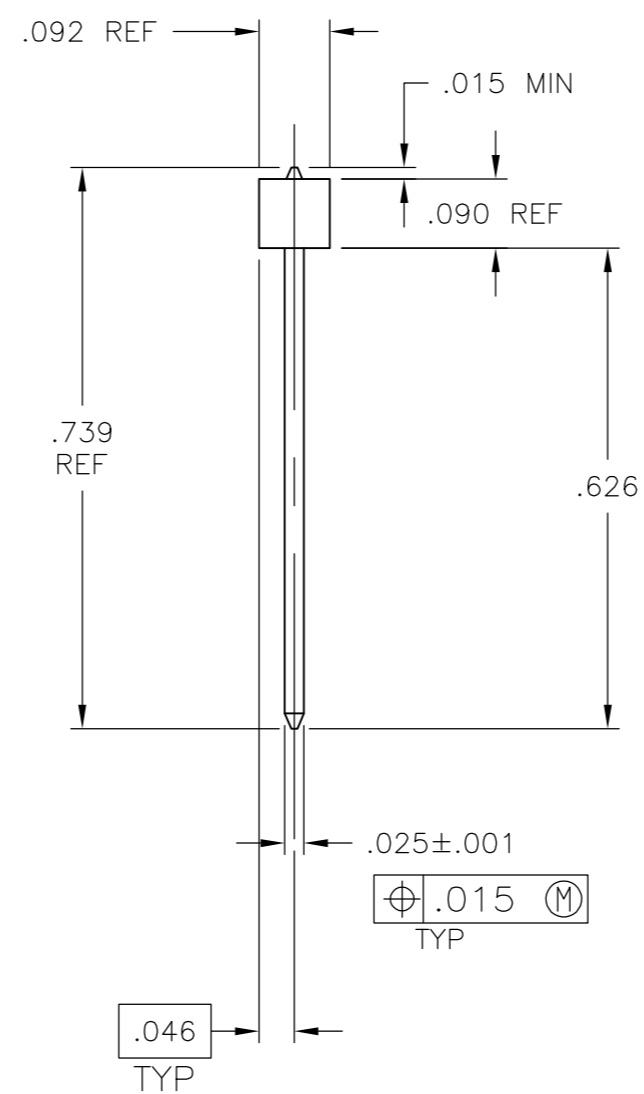
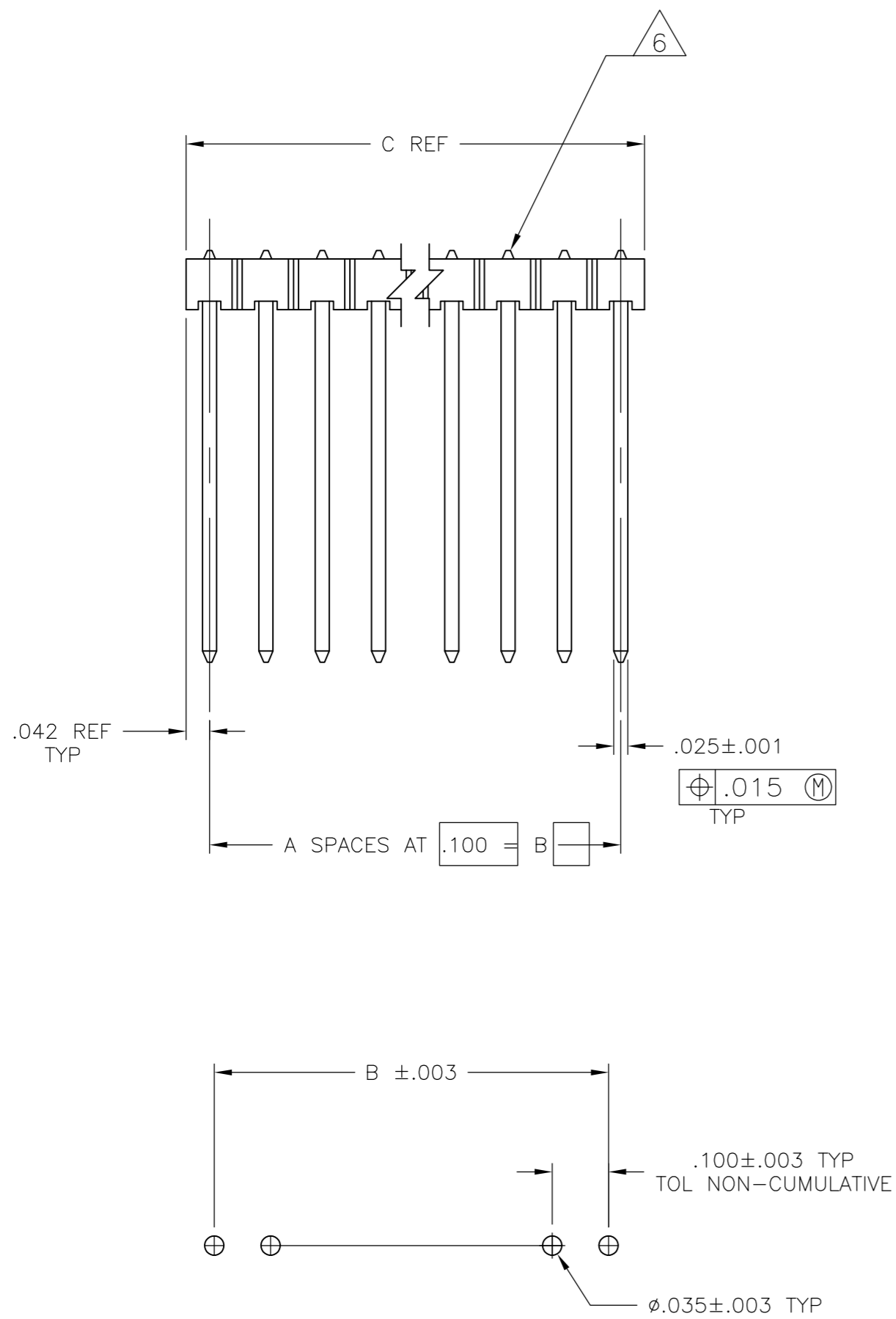


THIS DRAWING IS UNPUBLISHED. RELEASED FOR PUBLICATION
 © COPYRIGHT - By - ALL RIGHTS RESERVED.

LOC		DIST		REVISIONS			
P	LTR	DESCRIPTION	DATE	DWN	APVD		
	C	REVISED PER ECO-14-000069	15APR2014	NK	MM		



- 1 TRUE POSITION TOLERANCE OF THE POST TIPS APPLIES WHEN THE HEADERS ARE HELD FLAT AGAINST THE PRINTED CIRCUIT BOARD
- 2 ASSEMBLY MAY BE BROKEN TO THE DESIRED NUMBER OF POSITIONS
- 3 .000100-.000200 MATTE TIN OVER .000050 NICKEL
- 4 MATERIAL: HOUSING - FLAME RETARDANT THERMOPLASTIC, LCP; COLOR - BLACK, POSTS - COPPER ALLOY
- 5 PART TO BE CLEAN AND FREE OF BURRS AND SHARP EDGES EXCEPT AT THE END OF THE HOUSING WHERE 4 POSITION PARTS ARE CUT FROM MULTIPLE POSITION STICKS.
- 6 ENDS OF ALL PINS MUST BE CLEAN AND FREE OF ANY FOREIGN MATERIAL (CHAMFERED TYPICAL TO OTHER END IS OPTIONAL)

.384	.300	3	4	1977199-1
C	B	A	NO OF POSN	PART NUMBER

THIS DRAWING IS A CONTROLLED DOCUMENT.		DWN R BROWN 04SEP2007	STE TE Connectivity	
DIMENSIONS: INCHES		CHK J GESFORD 04SEP2007		
TOLERANCES UNLESS OTHERWISE SPECIFIED:		APVD J GESFORD 04SEP2007	NAME	
0 PLC ± -		PRODUCT SPEC	ASSEMBLY, HEADER, BREAKAWAY, MOD II, SINGLE ROW, .100 C/L, VERTICAL, WITH .025 SQUARE POSTS	
1 PLC ± -		APPLICATION SPEC	SIZE A2	CAGE CODE 00779
2 PLC ± -		WEIGHT -	DRAWING NO C=1977199	RESTRICTED TO -
3 PLC ± .005		CUSTOMER DRAWING	SCALE 4:1	SHEET 1 of 1
4 PLC ± -			REV C	
ANGLES ± -				
FINISH				