

Ring Lights HPR series

Refer to our website for product details.

CCS HPR

Search

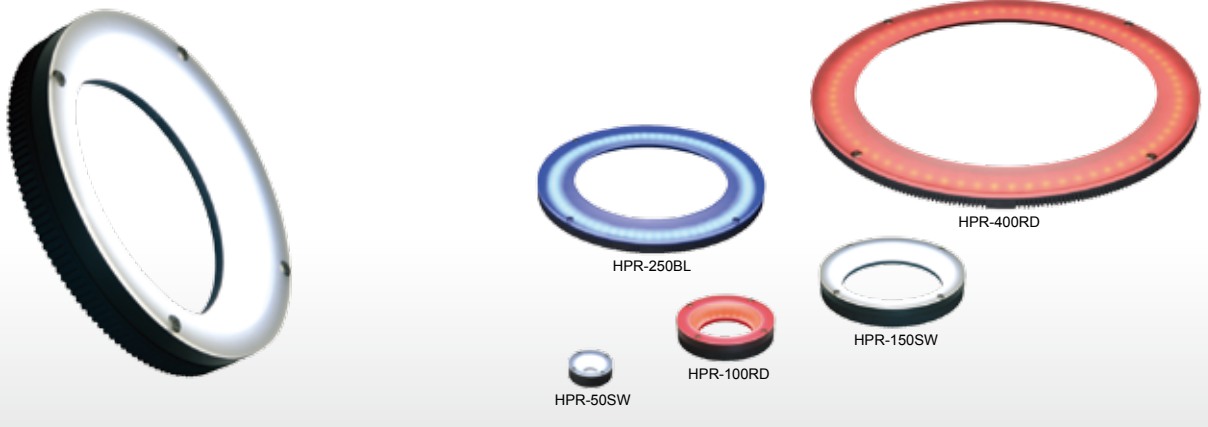


You can also use your smartphone or cell phone.

Use a search engine.

The Ring Light HPR series is scheduled to be discontinued on December 31, 2015.

Achieves a uniform region with a high degree of freedom by using a unique illuminating mechanism

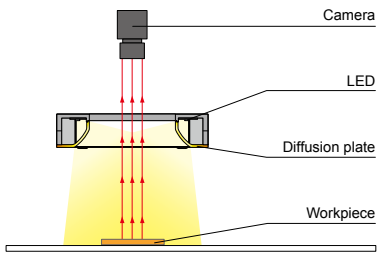


Applications Inspection for damage/stains, visual/color determination inspections, character recognition, text inspection, high angle uniform illumination, and characteristic extraction at low angle, etc.

Characteristics

Provides diffused light from the LEDs without waste using a unique illuminating mechanism.

Example configuration (HPR-100)



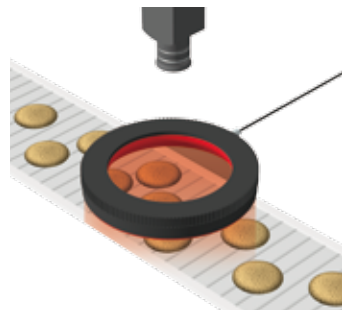
We accept custom orders. Please feel free to inquire.

- Change to format
- Increase brightness
- Change to wavelength, etc.

Imaging example: Imaging of foreign materials mixed in food



Workpiece: Cookie



Due to effect from the unevenness and bumps on the cookie surface, it is difficult to get a clear image of the foreign material.



Effect from the unevenness and bumps on the surface is reduced, allowing for a clear image of the foreign material.

* This workpiece was processed by CCS for sample imaging.

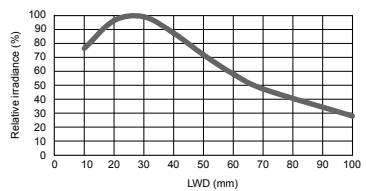
Data: Relative irradiance graph/Uniformity graph (Representative example)

* The graph included is for reference only and does not guarantee the quality of this product.

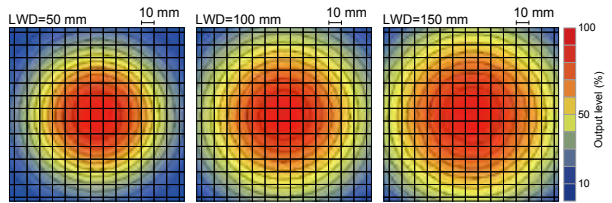
HPR-100SW

Relative irradiance graph^{*1} (LWD Characteristics)^{*2}

*1: Irradiance on the optical axis
*2: Illuminating distance from the Light Unit to the workpiece



Uniformity graph (Relative irradiance)



- LDR2
- LDR2-LA
- LDR-LA1
- SQR
- SQR-TP
- HLDR-IP
- HPR2
- HPR
- LFR
- LKR
- FPR
- FPQ2
- LDL2
- LDLB
- HLDL2
- TH
- LFL
- HPD2
- HPD
- LDM2
- LAV
- PDM
- LFX2
- LFV3
- LFV2
- MSU
- MFU
- UV2
- UV
- LNSP-UV-FN
- IR2
- HLV2
- LV
- LSP
- HFS/HFR
- HLV2-NR
- HLV2-3M-RGB-3W
- PFB2
- PFBR
- LNSP
- CU-LNSP
- LNSP-FN
- LN/LN-HK
- LNSD
- LND2
- HLND
- LT
- LNW/HLDN
- LNIS
- LNIS-FN
- Telecentric Lens
- Macro Lens

We have various materials.

- PDF Drawings
- DXF Drawings
- 3D CAD
- Instruction Guides
- Product Filers
- Imaging Samples
- Data Sheets
- Examples of Custom Ordered Products

Download here. <http://www.ccs-grp.com/dl/>

The Ring Light HPR series is scheduled to be discontinued on December 31, 2015.

Lineup

Model name	LED color	Power consumption	Peak wavelength/ correlated color temperature	Options	Recommended Control Units	Weight
HPR-50RD	Red	24 V / 5.1 W	635 nm	-	<div style="border: 1px solid black; padding: 2px;">PD3</div> <div style="border: 1px solid black; padding: 2px;">CC-ST-1024</div> <div style="border: 1px solid black; padding: 2px;">PSB</div>	46 g
HPR-50SW	White	24 V / 6.1 W	6,600 K			
HPR-50BL	Blue		470 nm			
HPR-100RD	Red	24 V / 9.0 W	625 nm	-	<div style="border: 1px solid black; padding: 2px;">PD3</div> <div style="border: 1px solid black; padding: 2px;">CC-ST-1024*</div>	170 g
HPR-100SW	White	24 V / 14 W	5,500 K			
HPR-100BL	Blue		470 nm			
HPR-150RD	Red	24 V / 16 W	625 nm	-	<div style="border: 1px solid black; padding: 2px;">PD3</div> <div style="border: 1px solid black; padding: 2px;">PSB</div>	250 g
HPR-150SW	White	24 V / 20 W	5,500 K			
HPR-150BL	Blue		470 nm			
HPR-250RD	Red	24 V / 25 W	625 nm	-	<div style="border: 1px solid black; padding: 2px;">PD3</div> <div style="border: 1px solid black; padding: 2px;">PSB*</div>	510 g
HPR-250SW	White	24 V / 37 W	5,500 K			
HPR-250BL	Blue		470 nm			
HPR-400RD	Red	24 V / 25 W	625 nm	-	<div style="border: 1px solid black; padding: 2px;">PD3</div> <div style="border: 1px solid black; padding: 2px;">PSB*</div>	1,050 g
HPR-400SW	White	24 V / 41 W	5,500 K			
HPR-400BL	Blue		470 nm			

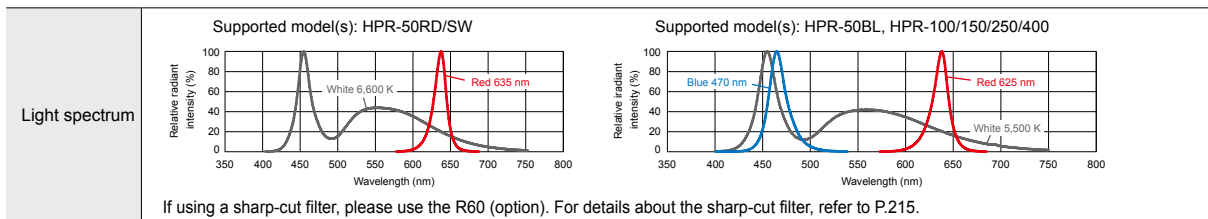
* Please inquire if you would like to use in combination with a Strobe Control Unit (overdrive type).

Extension Cables ► P.222

Control Unit Selection Guide ► P.181

Control Unit Page ► P.185

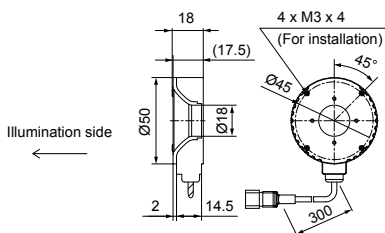
LED properties



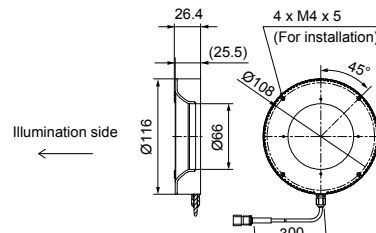
Be sure to read the "Instruction Guide" included with the product before use and observe cautionary information.
The data included is for reference only and does not guarantee the quality of this product.

Dimensions (mm)

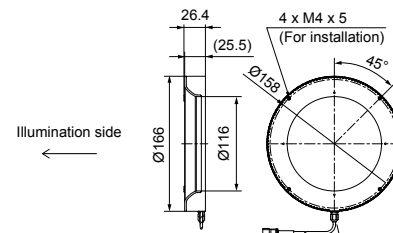
HPR-50RD/SW/BL



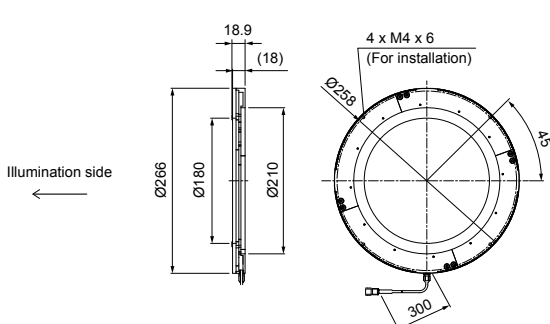
HPR-100RD/SW/BL



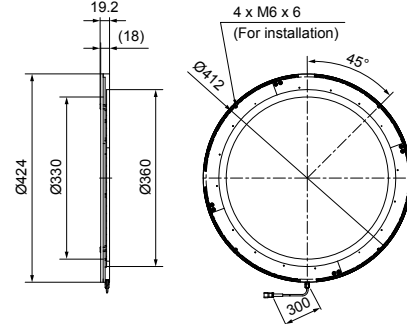
HPR-150RD/SW/BL



HPR-250RD/SW/BL



HPR-400RD/SW/BL



You can change the connectors of the Light Unit cable. Choose between M12 connectors and flying leads. Refer to P.125 for details.

You can inquire using
our website.

Requests for
Light Unit
Selection

Requests for
Loan
Products

Requests for
Estimates

Requests for
a Catalog

Product
Inquiries

Other
Inquiries

Inquire on our website here.
<http://www.ccs-grp.com/contact/>

Direct Lighting
LDR2
LDR2-LA
LDR-LA1
SQR
SQR-TP

Convergent
Lighting
HLDR-IP

Diffused Lighting
HPR2
HPR
LFR
LKR
FPR
FPQ2

Direct
Lighting
LDL2
LDLB
HLDL2

TH
LFL
HPD2

Diffused Lighting
HPD
LDM2
LAV
PDM
LFX2
LFV3
LFV2

Colimated
Lighting
MSU
MFU

Ultraviolet
Lighting
UV2
UV
LNSP-UV-FN

Infrared
Lighting
IR2

HLV2
LV
LSP

Spot Lighting, Etc.
HFS/HFR
HLV2-NR
HLV2-3M-RGB-3W

PFB2
PFBR

Convergent
Lighting
LNSP
CU-LNSP
LNSP-FN
LN/LN-HK

Diffused
Lighting
LNSD
LND2
HLND
LT
LNV/HLDN

Oblique
Angled
Lighting
LNIS

Lenses
LNIS-FN

Telecentric Lens
Macro Lens