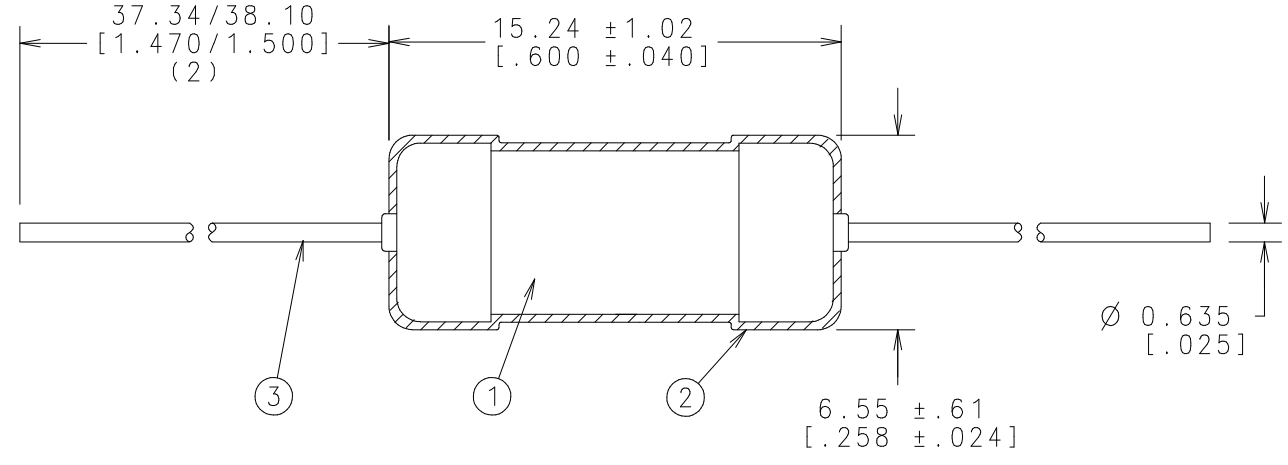


PART NUMBER	AMPS	VOLTS	CATALOG NUMBER	DESCRIPTION	UPC CODE	CE LOGO	CSA LOGO	I.R. REQ'D	UL LISTED 717H MINATURE FUSE LOGO	RoHS LOGO	Pb-FREE LOGO
02200010MXP	.550	250	220010P	FUSE 250V SB PT 2AG Pb-FREE .550	079458 91943	YES	YES		35A 250V AC 10,000A 125V AC	YES	YES

ELECTRICAL CHARACTERISTICS	
CURRENT	BLOW TIME
.9 AMP.	90 SECONDS MAX.
.825 AMP.	15 MINUTES MAX.
.55 AMP.	4 HOURS MIN.

LTR	DATE	REVISION	CHK	APD
A	02/14/05	61615 - RELEASED	PJM	
B	06/20/06	84938D-DLT 580219 & 580460 ADD C580933	PJM	



- NOTE:
- ASSEMBLE SLEEVE ON FUSE USING SERPENTINE HEATERS TO DIRECT A CONTINUOUS FLOW OF HOT AIR ON SLEEVE UNTIL SHRUNK. SLEEVE MUST BE CLEAR, FREE OF ANY DISCOLORATION AFTER SHRINKING.
  - COLD RESISTANCE LIMITS: .416Ω - .574Ω
  - CAP TO LEAD WELD SHALL WITHSTAND A PULL OF 10 LBS. WITHOUT SEPARATING.
- FUSE WILL WITHSTAND
- 29.4A., 1KV., 10x1000 MICRO SECONDS, 200 HITS @ 1 MINUTE INTERVAL.
  - 38.9A., 2.1 KV., .2x1000 MICRO SECONDS, 200 HITS @ 1 MINUTE INTERVAL.
- PACK 1000 FUSES IN BOX 580460, SEAL WITH 088120 TAPE.
  - LABEL TO BE APPLIED TO THE END OF THE BOX.

NO	COMPONENT NO	DESCRIPTION	QTY/M	U/M
-	C580933	CARTON	1	EAD
3	895-195	SLEEVE	1000	EA
2	082706	LEAD WIRE	.482	LB
1	220010W-P	FUSE SUB-ASSEMBLY	1000	EA

BILL OF MATERIAL				
UNLESS OTHERWISE SPECIFIED, DIMENSIONS ARE IN MILLIMETERS. DIMENSIONS IN BRACKETS [ ] ARE INCHES				
UNLESS OTHERWISE SPECIFIED, DIMENSIONS DO NOT INCLUDE PLATING.				
○	DENOTES CRITICAL CHARACTERISTICS.			
CPK	DENOTES CPK DIMENSIONS, -MINIMUM CPK VALUE			
ⓈT	DENOTES A CHARACTERISTIC THAT PROVIDES AN INDICATION OF PROCESS PERFORMANCE. PROCEDURE FOR MEASUREMENT AND TRACKING TO BE DEFINED IN LITTELFUSE INSPECTION INSTRUCTIONS.			
CP	DENOTES CP DIMENSIONS, -MINIMUM CP VALUE. MUST BE WITHIN THE DIMENSIONAL LIMITATIONS SHOWN ON DRAWING AND INITIALLY LOCATED TO ALLOW FOR MAXIMUM TOOL LIFE.			
COPIES TO		MATERIAL SPEC		
1	9 18	FINISH		
2	10 19			
3	12 20			
4	13 21	DRW	DATE 02/14/05	SCALE 4:1
5	14 23	CHK	DATE	SUPER DR
6	15 33	APPD	DATE	FINISH GOOD WT
7	16 43	APPD	DATE	GRAMS/PIECE
8	17 93	TOLERANCE UNLESS OTHERWISE SPECIFIED		
TWO PLACE DEC		±.25[.01]		
THREE PLACE DEC		±.100[.004]		
TWO PLACE DEC		FRACTION ±		
THREE PLACE DEC		ANGULAR ±1°		
3RD ANGLE PROJECTION		TITLE .550A "M" PACKED 2AG SLO-BLO WELDED LEADS WITH SHRINK TUBING Pb-FREE		

(1P)PART No 02200010MXP	RoHS 電子機器用
(Q) QTY 1000	CATALOG/PREVIOUS No: 220010P
(11)LOT NO TEST2AG	
0 79458 91943 1	UL LISTED 717H MINATURE FUSE
FUSE 250V SB PT 2AG Pb-FREE .550A	02/02/05
LITTELFUSE INC. COUNTRY OF ORIGIN CHINA	MM/DD/YY

NOTE: LABEL ILLUSTRATION(S) IS FOR REFERENCE ONLY. THE ACTUAL COPY AND REGULATORY MARKINGS WILL VARY BY THE INDIVIDUAL PART NUMBER. SEE CHART.

CAD GENERATED DRAWING - NO PENCIL CHANGES ALLOWED