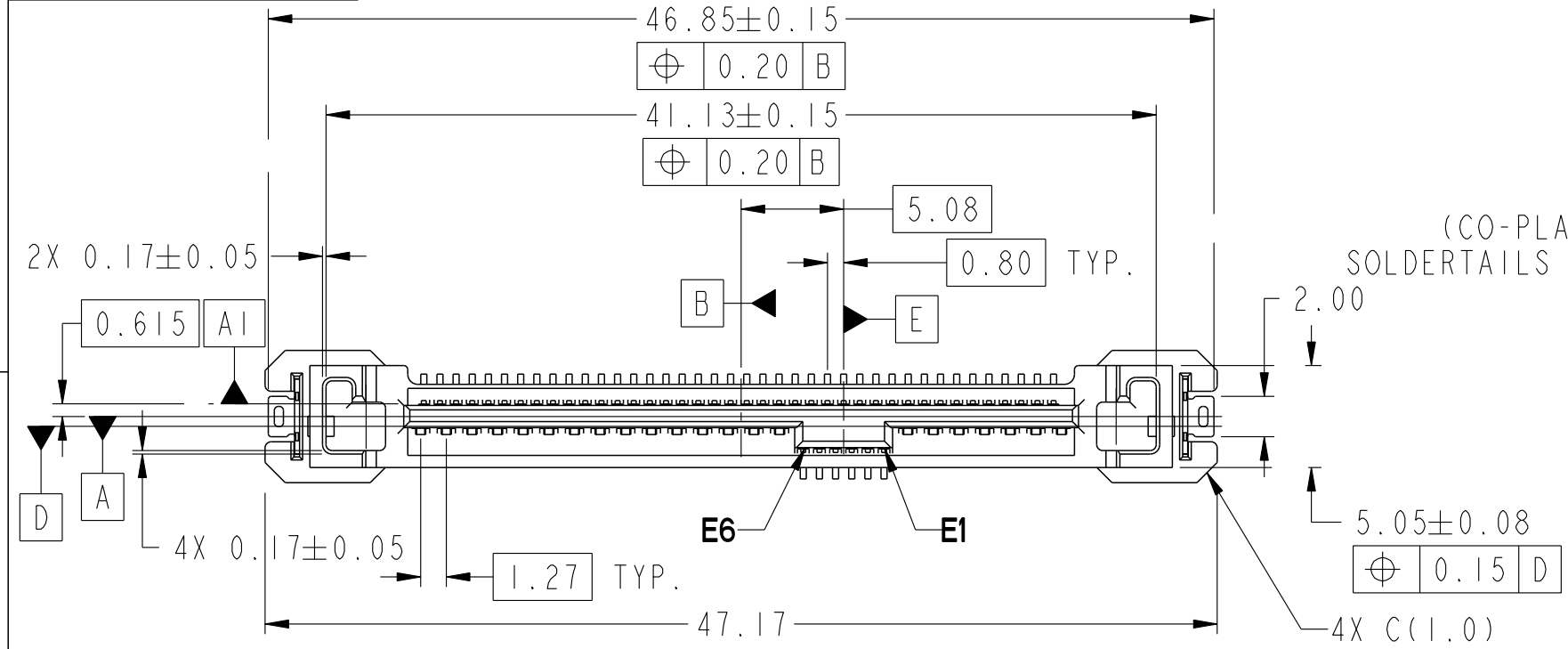
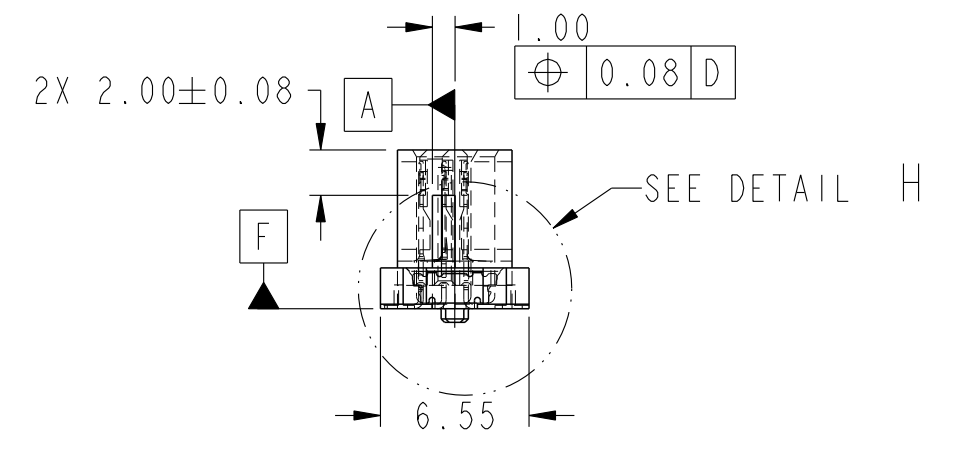
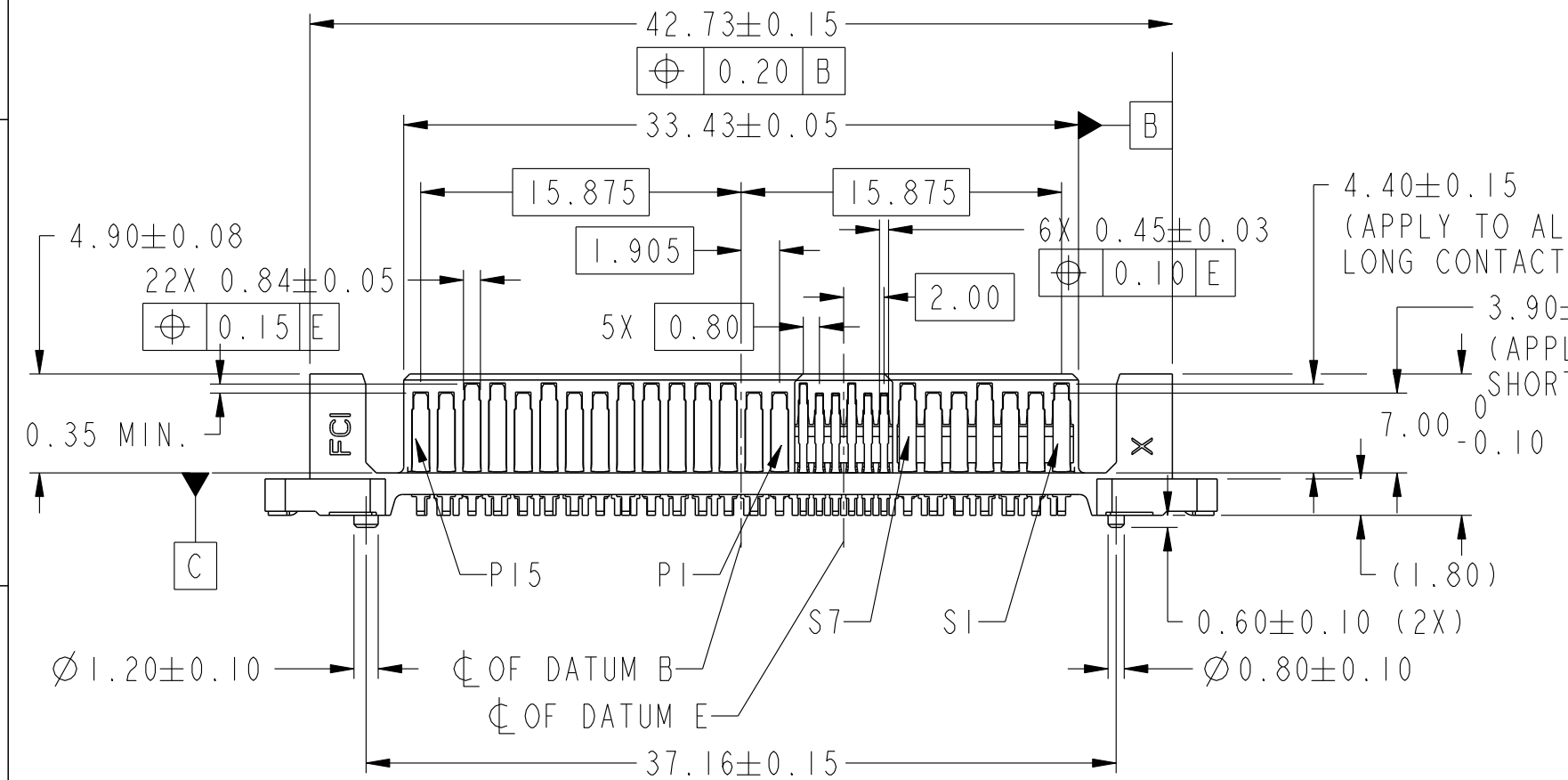
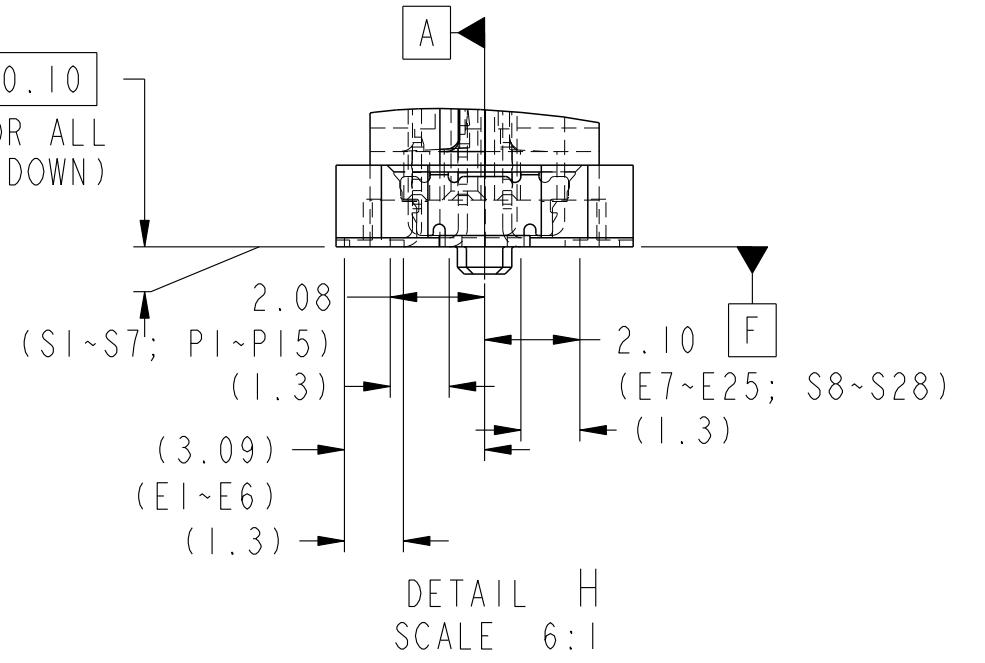


PRODUCT NUMBER  
10123699-002C-TRLF



0.10

(CO-PLANARITY FOR ALL  
SOLDERTAILS AND HOLD DOWN)



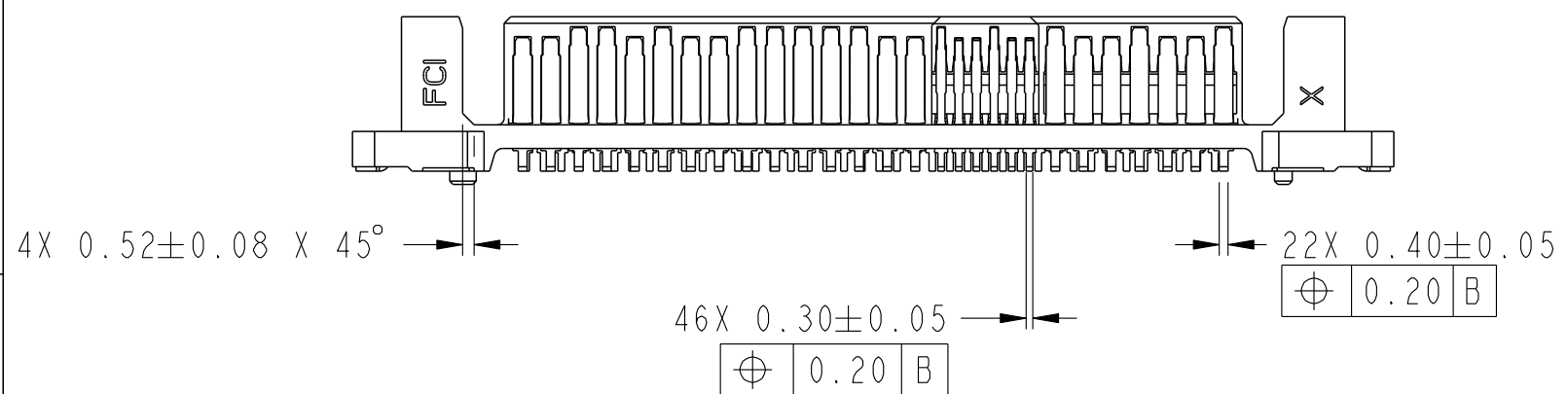
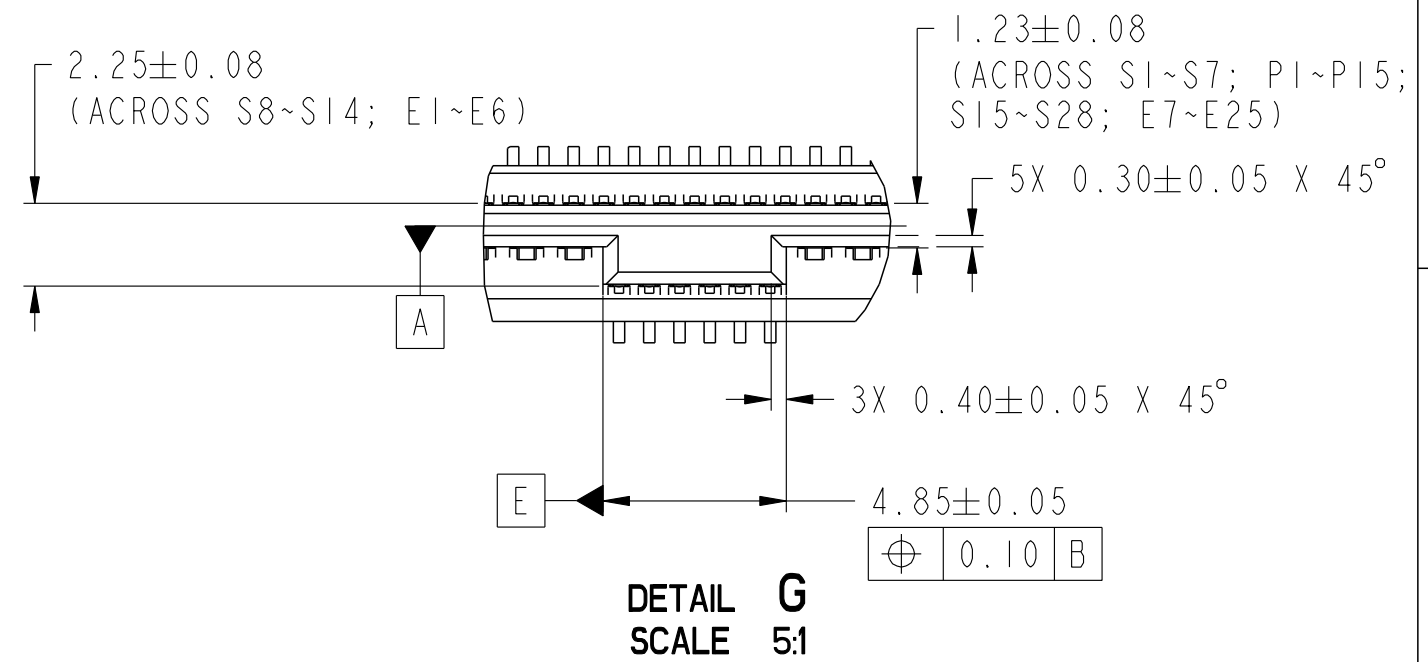
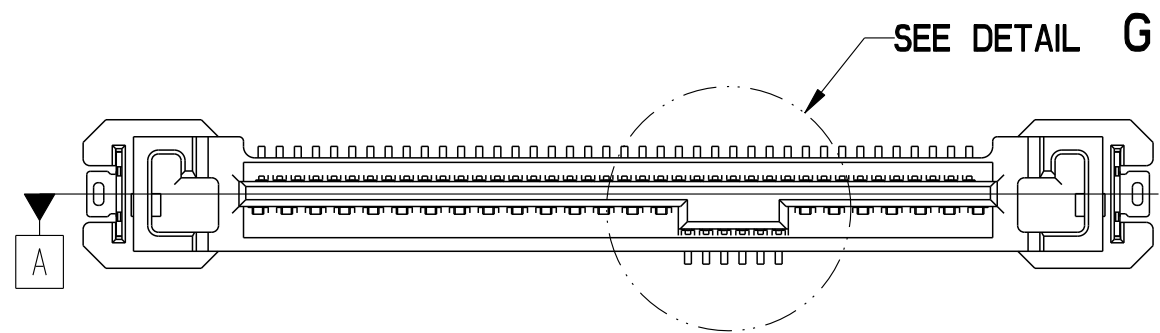
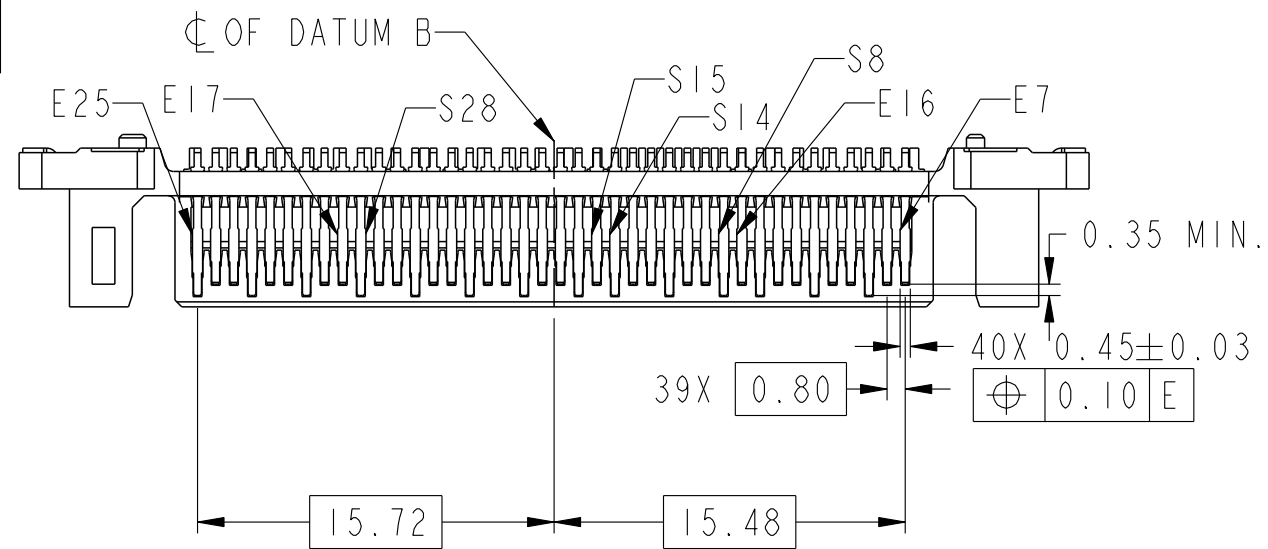
Amphenol  
FCi

© 2016 AFCI

spec ref	-	dr	Jeffrey Lim	2014/08/28
tolerance std	ISO 406 ISO 1101	eng	Jeffrey Lim	2016/11/09
	TOLERANCES UNLESS OTHERWISE SPECIFIED	chr	-	-
surface	linear	appr	Koon-Poh Tay	2016/11/23
	angular			

projection	MM	size	A3	scale	3:1
		ecn no	ELX-S-25294-1		
product family	-	rel level	Released		
cat. no.	-	Product - Customer Drw	sheet 1 of 3		
Amphenol FCi	SAS/PCIE PLUG VERTICAL SMT PLUG ASSY	dwg no	10123699	rev	D

PRODUCT NUMBER  
SEE TABLE



spec ref	-	dr	Jeffrey Lim	2014/08/28	projection	MM	size	A3	scale	3:1	
tolerance std	ISO 406 ISO 1101	eng	Jeffrey Lim	2016/11/09			ecn no	ELX-S-25294-1			
TOLERANCES UNLESS OTHERWISE SPECIFIED		chr	-	-			rel level	Released			
surface	linear	appr	Koon-Poh Tay	2016/11/23	product family	-	dwg no	10123699		rev	D
ISO 1302	angular	Amphenol FCI		SAS/PCIE PLUG VERTICAL SMT PLUG ASSY		cat. no.	-	Product - Customer Drw	sheet 2 of 3		

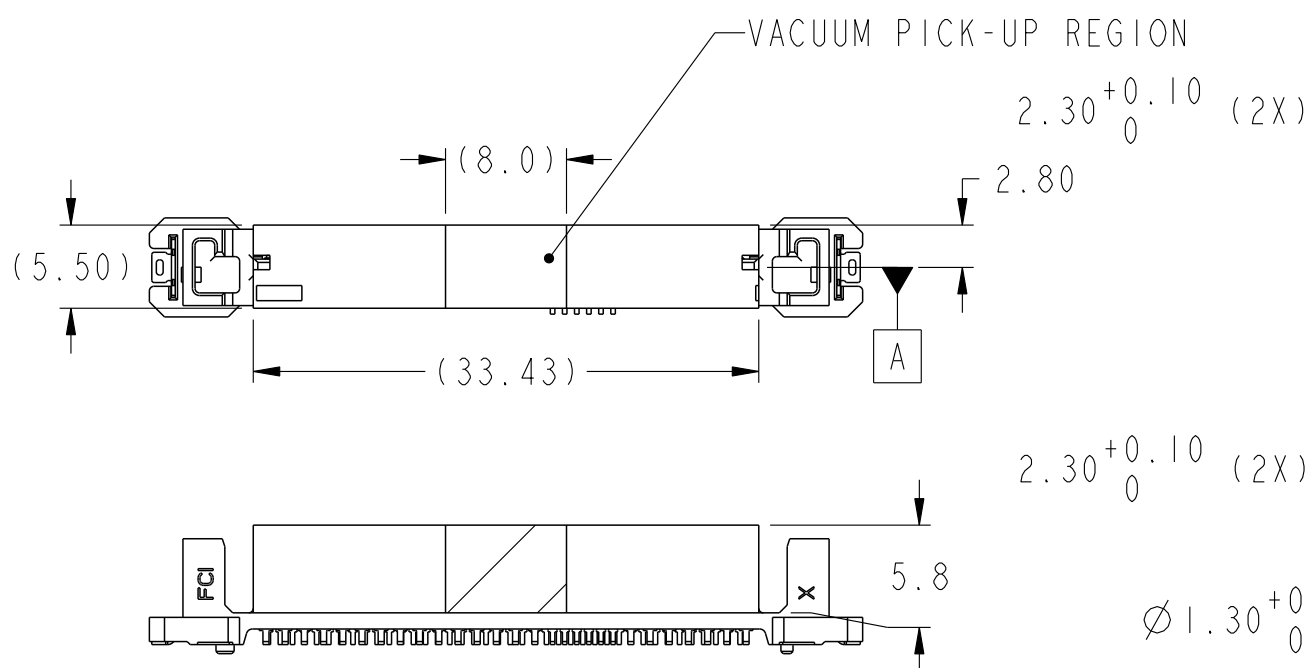
PRODUCT NUMBER	PACKAGING
10123699-002C-TRLF	TAPE & REEL

A

B

C


D

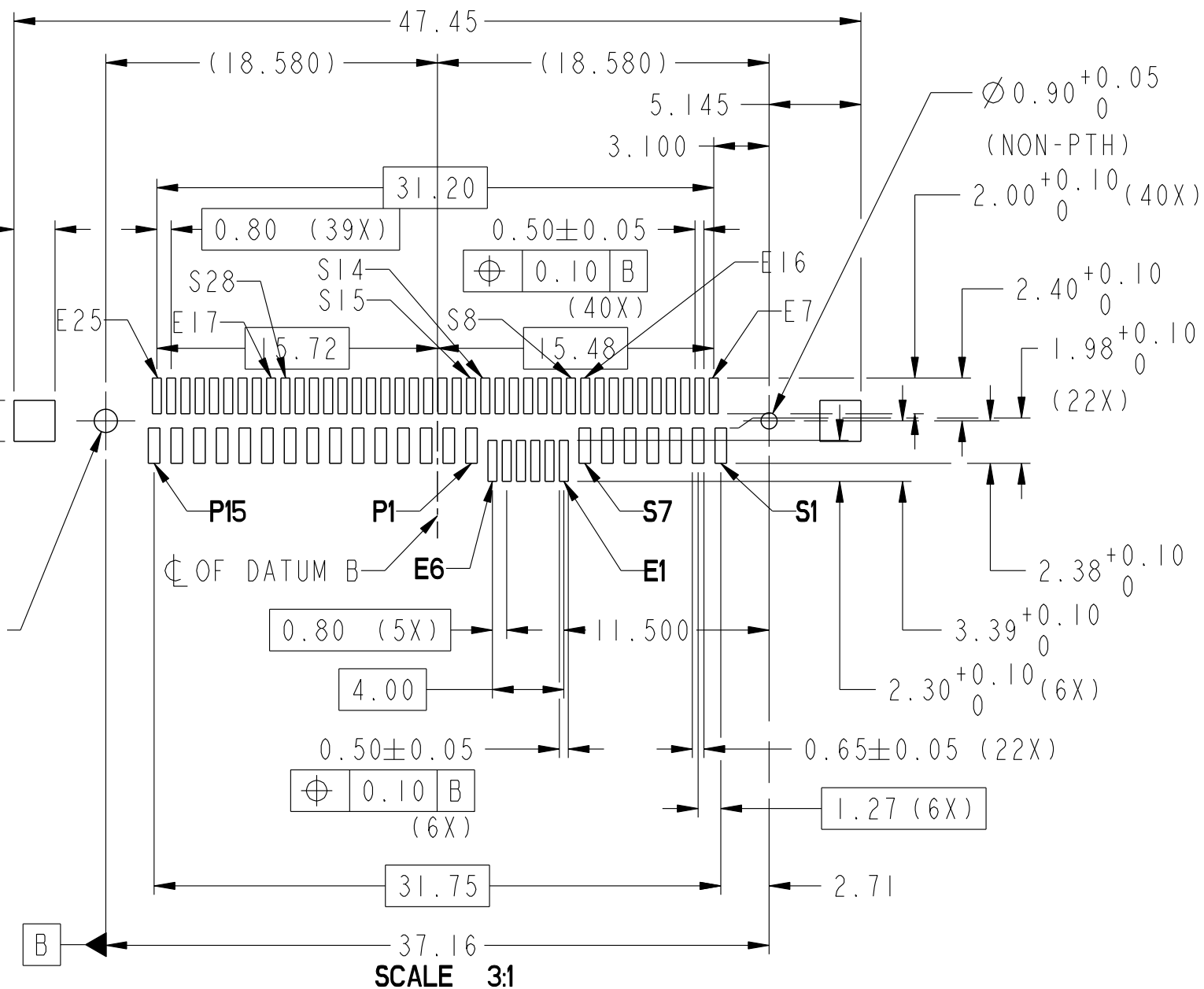


SCALE 2:1

WITH PICK-UP CAP ATTACHED

## NOTES:

- MATERIAL:  
HOUSING & PICK-UP CAP: HIGH TEMPERATAURE THERMOPLASTIC, BLACK, UL94V-0  
CONTACT & HOLD DOWN: COPPER ALLOY.
- FINISH:  
CONTACT: 1.27µm MIN. Ni UNDERPLATE OVERALL,  
1.91µm MIN. 100% MATTE Sn (LEAD-FREE) ON SOLDERTAIL,  
0.76µm MIN. Au ON CONTACT AREA  
HOLD DOWN: 1.91µm MIN. 100% MATTE Sn (LEAD-FREE) OVER 1.27µm MIN. Ni UNDERPLATE OVERALL
- PRODUCT SPEC.: GS-12-1169
- PACKAGING SPEC.: GS-14-2307(TAPE & REEL)
- THIS PRODUCT MEETS EUROPEAN UNION DIRECTIVES AND OTHER COUNTRY REGULATIONS AS DESCRIBED IN GS-47-0004
- THIS PRODUCT IS COMPLY WITH U.2/SFF-8639 SPECIFICATION
- THE HOUSING WILL WITHSTAND EXPOSURE TO 260°C PEAK TEMPERATURE FOR 10 SECONDS IN A CONVECTION, INFRA-RED OR VAPOR PHASE REFLOW OVEN.
- A SYMBOL  WILL BE NEXT TO ANY DIMENSION, VIEW OR NOTE WHICH HAS BEEN MODIFIED WITH THE CURRENT DRAWING REVISION.

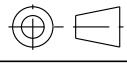


SCALE 3:1

RECOMMENDED PCB LAYOUT

Amphenol  
FCi

© 2016 AFCI

spec ref	-	dr	Jeffrey Lim	2014/08/28	projection	MM	size	A3	scale	3:1
tolerance std	ISO 406 ISO 1101	eng	Jeffrey Lim	2016/11/09		← →	ecn no	ELX-S-25294-1	rel level	Released
surface	linear	chr	-	-	product family	-	rel level	Released		
		appr	Koon-Poh Tay	2016/11/23						
		Amphenol FCi			SAS/PCIE PLUG		dwg no	10123699	rev	D
					VERTICAL SMT PLUG ASSY					
					cat. no.	-	Product - Customer Drw	sheet 3 of 3		