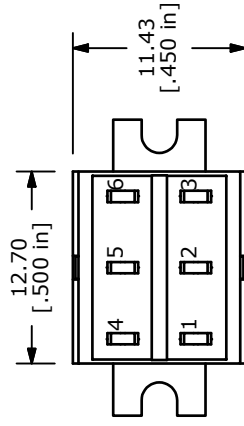
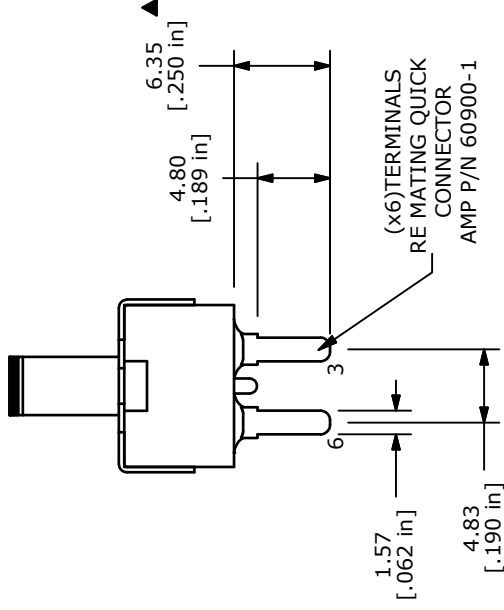
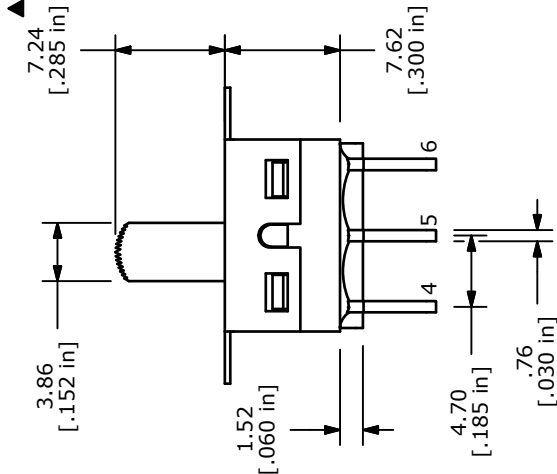
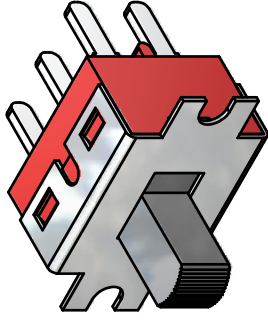
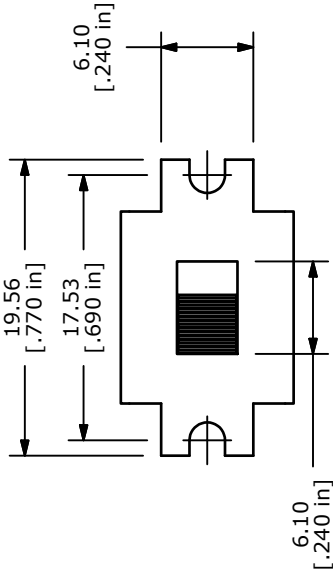


CIRCUIT: DPDT

SWITCH FUNCTION	POS. 1	POS. 2	POS. 3
ON			
NONE			
2-1, 5-4			
2-3, 5-6			

- NOTE:
1. ALL DIMENSIONS IN MM [INCH]
 2. GENERAL TOLERANCE: X.X=±0.4
X.XX=±0.25
 3. TERMINAL NUMBERS FOR REF ONLY
 4. PLATING MATERIAL: SILVER
 5. CONTACT RATING: 5A@120VAC or 28VDC
2A@250VAC
 6. TRAVEL: 2.16mm
 7. ELECTRIC LIFE: 30,000 ACTUATIONS AT FULL LOAD.
 8. CONTACT RESISTANCE: 10 milli-OHMS TYP.
 9. INSULATION RESISTANCE: 1,000 MEGA-OHM MIN.
 10. DIELECTRIC STRENGTH: 1,000 V RMS @SEA LEVEL.
 11. OPERATING TEMP.: -30°C to 85°C
 12. ▲ DENOTES CRITICAL PARAMETER.
 13. 2002/95/EC (ROHS) COMPLIANT



(X6) TERMINALS
RE MATING QUICK
CONNECTOR
AMP P/N 60900-1



E-SWITCH™

TITLE 500SPD1S2M3QEB

B	19570	DRAWING UPDATE / CLEAN-UP	1/7/11	BGL
REV	PCR NO	DESCRIPTION	DATE	BY

THE INFORMATION CONTAINED IN THIS DOCUMENT IS PROPRIETARY TO E-SWITCH AND IS NOT TO BE COPIED OR TRANSFERRED

SCALE 2:1 DATE 1/7/2011

DR BGL DWG T521014 REV B