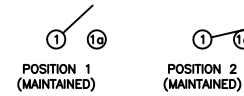


SCHEMATIC



SPECIFICATIONS

FUNCTION:
1P1T OFF-ON

RATINGS:
ANSI/UL 1054 and CAN/CSA C22.2 No. 55 (E194579):
16A 125VAC [UR, cUR]
10A 250VAC [UR, cUR]
1/3HP 125/250VAC [UR, cUR]

EN 61058-1:2002:
10(4)A 250V~ μ 1E4 T125/55 [ENEC14, SEMKO]
10(2)A 250V~ μ 5E4 T85/55 [ENEC14, SEMKO]

CONTACT RESISTANCE:
Initial: 35mΩ Max. at 50VAC

INSULATION RESISTANCE:
100MΩ Min. at 500VDC

DIELECTRIC STRENGTH:
1,500VAC For 1 Minute

ELECTRICAL LIFE:
6,000 Cycles [UR, cUR]
10,000 Cycles [ENEC14, SEMKO: 10(4)A 250V~]
50,000 Cycles [ENEC14, SEMKO: 10(2)A 250V~]

TEMPERATURE:
Operating: -20°C to 105°C [UR, cUR]
Operating: -20°C to 125°C [ENEC14, SEMKO: 10(4)A 250V~]
Operating: -20°C to 85°C [ENEC14, SEMKO: 10(2)A 250V~]



COLORS AND MARKINGS

BODY:
Black

ACTUATOR:
Black

MARKINGS:
1/O Horizontal (R)

MARKING COLOR:
White

MATERIALS

BODY:
Polyamide 6/6 (PA66), UL94 V-2

ACTUATOR:
Polyamide 6/6 (PA66), UL94 V-2

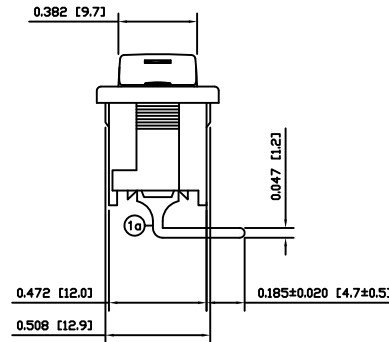
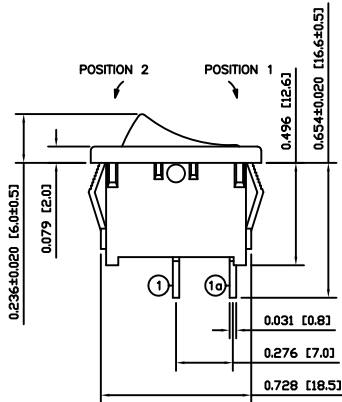
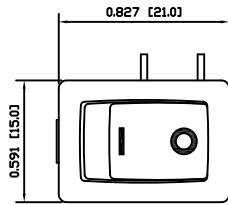
SPRING:
Steel

BALL:
Steel

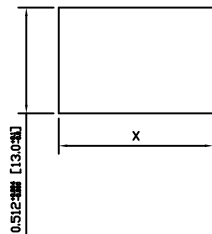
MOBILE CONTACT:
Silver Alloy

CONTACTS:
Silver Alloy

TERMINALS:
Silver Plated Copper

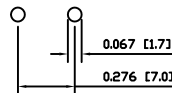


SUGGESTED PANEL CUTOUT



| PANEL THICKNESS | | X |
|-----------------|-------------|--------------|
| 0.030~0.049 | [0.75~1.25] | 0.756 [19.2] |
| 0.049~0.079 | [1.25~2.00] | 0.764 [19.4] |
| 0.079~0.118 | [2.00~3.00] | 0.772 [19.6] |

SUGGESTED PCB CUTOUT



| | | | |
|----------------|------|----------|-----|
| ACTUATOR | A | 09/05/04 | CAB |
| BODY | A | 09/05/04 | CAB |
| COLORS | A | 09/05/04 | CAB |
| MATERIALS | A | 09/05/04 | CAB |
| SPECIFICATIONS | B | 09/06/13 | CAB |
| REFERENCE | REV. | DATE | BY |

THE INFORMATION CONTAINED IN THIS DOCUMENT IS PROPRIETARY TO E-SWITCH-LAMB INDUSTRIES AND IS NOT TO BE COPIED OR TRANSFERRED

| | | | | |
|------|-----------------|-------|----------|----------|
| A | INITIAL RELEASE | 18773 | 10/01/14 | CAB |
| REV. | DESCRIPTION | PCR | DATE | DRAWN BY |

| DIMENSIONS | |
|----------------------|---------------|
| INCHES | [MILLIMETERS] |
| GENERAL TOLERANCES | |
| ±0.008 [±0.2] / ±1' | |
| SCALE | PROJECTION |
| DRAWING NOT TO SCALE | 1:1 |

RA1H1C112R

| DRAWING NUMBER | DATE | REVISION |
|----------------|------------------|----------|
| 38-RA1H1C112R | JANUARY 14, 2010 | A |