



2.5V MULTI-QUEUE DDR FLOW-CONTROL DEVICES
40 BITS WIDE WITH FIXED 4 QUEUES
8,192 x 40 x 4, 16,384 x 40 x 4
and 32,768 x 40 x 4

IDT72T51248
IDT72T51258
IDT72T51268

FEATURES

- The multi-queue DDR flow-control device contains 4 Queues each queue has a fixed size of:
 IDT72T51248 — 8,192 x 40 or 16,384 x 20 or 32,768 x 10
 IDT72T51258 — 16,384 x 40 or 32,768 x 20 or 65,536 x 10
 IDT72T51268 — 32,768 x 40 or 65,536 x 20 or 131,072 x 10
- Write to and Read from the same queue or different queues simultaneously via totally independent ports
- Up to 200MHz operating frequency or 8Gbps throughput in SDR mode
- Up to 100MHz operating frequency or 8Gbps throughput in DDR mode
- User selectable Single Data Rate (SDR) or Double Data Rate (DDR) modes on both the write port and read port
- 100% Bus Utilization, Read and Write on every clock cycle
- Global Bus Matching - All Queues have same Input bus width and same Output bus width
- User Selectable Bus Matching options:
 - x40in to x40out - x40in to x20out - x40in to x10out
 - x20in to x40out - x20in to x20out - x20in to x10out
 - x10in to x40out - x10in to x20out - x10in to x10out
- All I/O is LVTTTL/ HSTL/ eHSTL user selectable
- 3.3V tolerant inputs in LVTTTL mode
- ERCLK & EREN Echo outputs on read port

- Write Chip Select \overline{WCS} input for write port
- Read Chip Select \overline{RCS} input for read port
- User Selectable IDT Standard mode (using \overline{EF} and \overline{FF}) or FWFT mode (using \overline{IR} and \overline{OR})
- All 4 Queues have dedicated flag outputs $\overline{FF}/\overline{IR}$, $\overline{EF}/\overline{OR}$, \overline{PAF} and \overline{PAE}
- A Composite Full/ Input Ready Flag gives status of the queue selected on the write port
- A Composite Empty/ Output Ready flag gives status of the queue selected on the read port
- Programmable Almost Empty and Almost Full flags per Queue
- Dedicated Serial Port for flag programming
- A Partial Reset is provided for each queue
- Power Down pin minimizes power consumption
- 2.5V Supply Voltage
- Available in a 324-pin Plastic Ball Grid Array (PBGA) 19mm x 19mm, 1mm Pitch
- JTAG port provides boundary scan function and optional programming mode
- Low Power, High Performance CMOS technology
- Industrial temperature range (-40°C to +85°C)

FUNCTIONAL BLOCK DIAGRAM

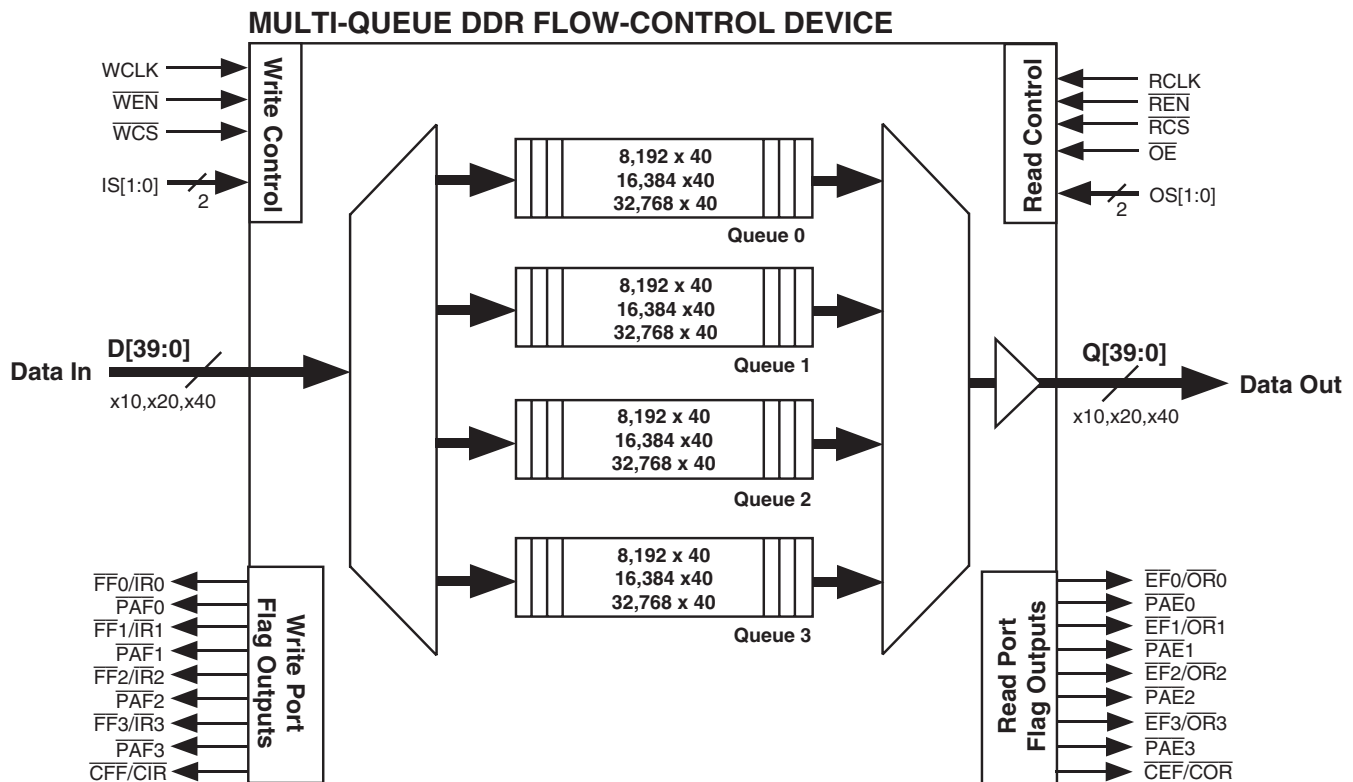


Table of Contents

Features	1
Description	3
Pin Configuration	5
Pin Descriptions	6-8
Device Characteristics	9
DC Electrical Characteristics	10
AC Electrical Characteristics	11
AC Test Conditions	12
Functional Descriptions	14-22
Signal Descriptions	23-28
JTAG Timing Specifications	29-33

List of Tables

Table 1 — Device Configuration	14
Table 2 — Default Programmable Flag Offsets	14
Table 3 — Status Flags for IDT Standard Mode	17
Table 4 — Status Flags for FWFT Mode	17
Table 5 — I/O Voltage Level Configuration	18
Table 6 — TSKEW Measurement	27

List of Figures

Figure 1. Multi-Queue DDR Flow-Control Device Block Diagram	4
Figure 2a. AC Test Load	12
Figure 2b. Lumped Capacitive Load, Typical Derating	12
Figure 3. Programmable Flag Offset Programming Methods	15
Figure 4. Offset Registers Serial Bit Sequence	16
Figure 5. Bus-Matching Byte Arrangement	19-21
Figure 6. Echo Read Clock and Data Output Relationship	28
Figure 7. Standard JTAG Timing	29
Figure 8. JTAG Architecture	30
Figure 9. TAP Controller State Diagram	31
Figure 10. Master Reset Timing	34
Figure 11. Partial Reset Timing	35
Figure 12. Write Cycle and Full Flag Timing (IDT Standard mode, SDR to SDR, x40 In to x40 Out)	36
Figure 13. Write Cycle and Full Flag Timing in DDR mode (IDT Standard mode, DDR to DDR, x40 In to x40 Out)	37
Figure 14. Write Cycle and Full Flag Timing with bus-matching and rate matching (IDT Standard mode, DDR to SDR, x10 In to x20 Out)	38
Figure 15. Write Cycle and Full Flag Timing with rate matching (IDT Standard mode, SDR to DDR, x40 In to x40 Out)	39
Figure 16. Write Timing in FWFT mode (FWFT mode, SDR to SDR, x40 In to x40 Out)	40
Figure 17. Write Cycle and First Word Latency Timing in DDR mode (FWFT mode, DDR to DDR, x40 In to x40 Out)	41
Figure 18. Read Cycle, Empty Flag & First Word Latency (IDT Standard mode, SDR to SDR, x40 In to x40 Out)	42
Figure 19. Read Cycle, Empty Flag & First Word Latency in DDR mode (IDT Standard mode, DDR to DDR, x40 In to x40 Out)	43
Figure 20. Read Cycle, Empty Flag & First Word Latency w/ bus-matching and rate-matching (IDT Standard mode, DDR to SDR, x40 In to x20 Out) ...	44
Figure 21. Read Cycle and Empty Flag Timing with bus-matching and rate-matching (IDT Standard mode, SDR to DDR, x10 In to x20 Out)	45
Figure 22. Read Timing at Full Boundary (FWFT mode, SDR to SDR, x40 In to x40 Out)	46
Figure 23. Composite Empty Flag (IDT Standard mode, SDR to SDR, x40 In to x40 Out)	47
Figure 24. Composite Output Ready Flag (FWFT mode, SDR to SDR, x40 In to x40 Out)	47
Figure 25. Composite Full Flag (IDT Standard mode, SDR to SDR, x40 In to x40 Out)	48
Figure 26. Composite Input Ready Flag (FWFT mode, SDR to SDR, x40 In to x40 Out)	48
Figure 27. Queue Switch at Every Clock Cycle (IDT Standard mode, SDR to SDR, x40 In to x40 Out)	49
Figure 28. Echo Read Clock and Read Enable Operation (IDT Standard mode, SDR to SDR, x40 In to x40 Out)	50
Figure 29. Echo RCLK and Echo Read Enable Operation (FWFT mode, SDR to SDR, x40 In to x40 Out)	51
Figure 30. Echo Read Clock and Read Enable Operation (IDT Standard mode, DDR to DDR, x10 In to x10 Out)	52
Figure 31. Loading of Programmable Flag Registers (IDT Standard and FWFT modes)	53
Figure 32. Reading of Programmable Flag Registers (IDT Standard and FWFT modes)	53
Figure 33. Synchronous Programmable Almost-Full Flag Timing (IDT Standard and FWFT mode, SDR to SDR, x40 In to x40 Out)	54
Figure 34. Synchronous Programmable Almost-Empty Flag Timing (IDT Standard and FWFT mode, SDR to SDR, x40 In to x40 Out)	54
Figure 35. Power Down Operation	55

DESCRIPTION

The multi-queue DDR flow-control devices are ideal for many applications where functions such as data differentiation and parallel buffering of multiple data paths are required. These applications may include communication and networking systems such as routers, packet prioritization systems, data acquisition systems, imaging systems and medical equipment.

The IDT72T51248/72T51258/72T51268 multi-queue DDR flow-control devices are a single chip with four discrete FIFO queues available. All four queues have a fixed density and based on the bus matching arrangement can take the following memory arrangement: For the IDT72T51248, four queues each queue being 8,192 x40 or 16,384 x20 or 32,768 x10. For the IDT72T51258, four queues each queue being 16,384 x40 or 32,768 x20 or 65,536 x10. For the IDT72T51268, four queues each queue being 32,768 x40 or 65,536 x20 or 131,072 x10.

All queues within the device have a common data input bus (write port) and a common data output bus (read port). Data written into the write port is directed to a respective queue via an internal de-multiplex operation, the queue being addressed by the user via a two bit input select bus. Data read from the read port is accessed from a respective queue via an internal multiplex operation, addressed by the user via a two bit output select bus. Data write and read operations are totally independent of each other, a queue may be selected on the write port and a different queue selected on the read port, or both ports may select the same queue simultaneously.

Bus matching is provided on this device, the bus width selection is 'Global' which means that all four queues will have a fixed input width and a fixed output width. The write port bus width may be x10, x20 or x40 and the read port bus width may be x10, x20 or x40. When bus matching is used the device ensures the logical transfer of data throughput in a Little Endian manner.

As is typical with most IDT FIFO's, two types of data transfer are available, IDT Standard mode and First word Fall Through (FWFT) Mode. This affects the device operation and also the flag outputs. The device provides four dedicated flag outputs for all internal Queue's. These flags are: Full/ Input Ready flag, Empty/ Output Ready flag, Programmable Almost Empty flag and Programmable Almost Full. The programmable flags have default values, but can also be set by the user to any point within the Queue depth. These programmable

flags can also be configured by the user for either Synchronous or Asynchronous operation. The device also provides composite flags.

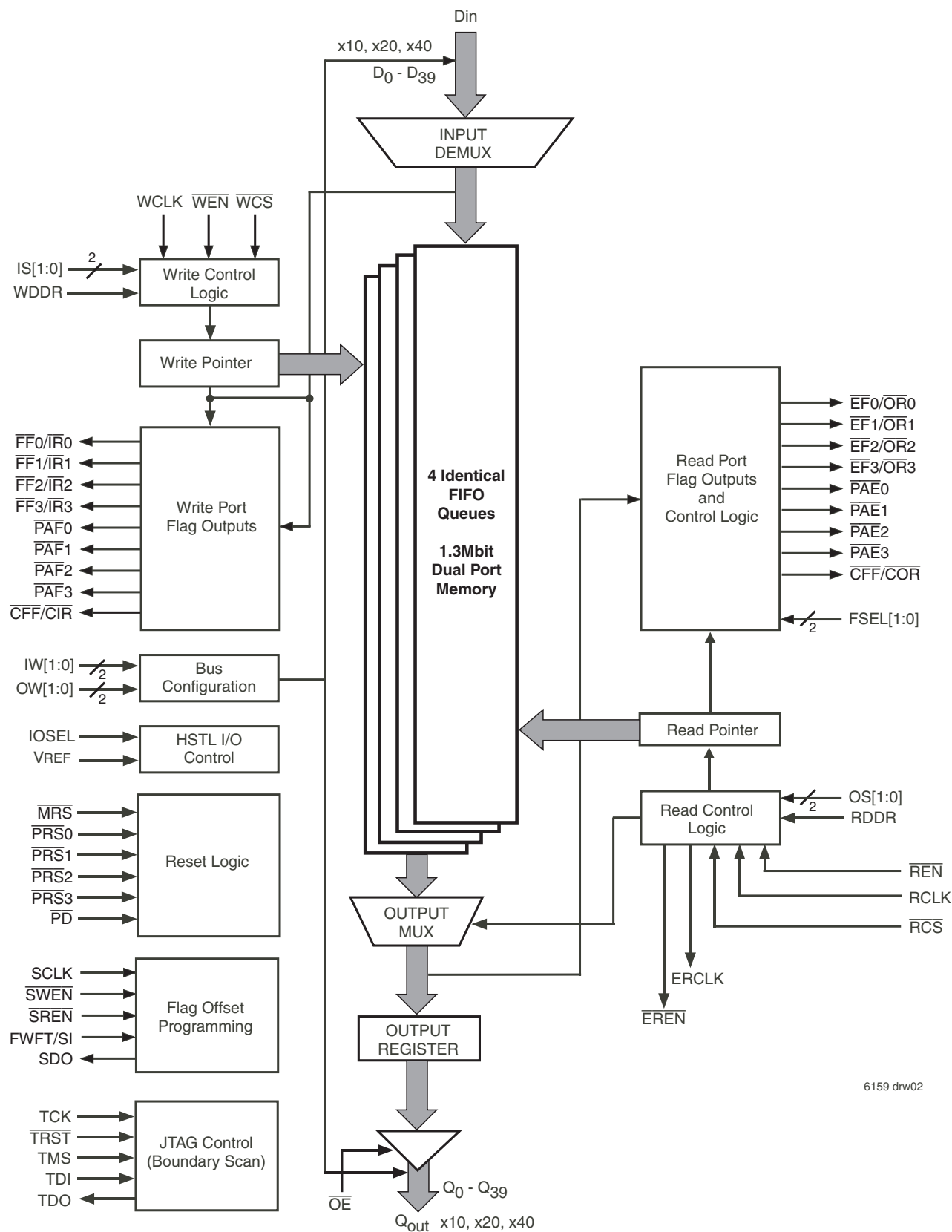
The multi-queue DDR device offers a maximum throughput of 8Gbps, with selectable SDR or DDR data transfer modes for the inputs and outputs. In SDR mode, the input clock can operate up to 200MHz. Data will transition/latch on the rising edge of the clock. In DDR mode, the input clock can operate up to 100 MHz, with data transitioning/latched on both rising and falling edges of the clock. The advantage of DDR is that it can achieve the same throughput as SDR with only half the number of bits, assuming the frequency is constant. For example, a 4Gbps throughput in SDR is 100MHz x 40 bits. In DDR mode, it is 100MHz x 20 bits, because two bits transition per clock cycle.

The read port provides the user with a dedicated Echo Read Enable, $\overline{\text{EREN}}$ and Echo Read Clock, $\overline{\text{ERCLK}}$ output. These outputs are helpful in higher speed applications. Otherwise known as "Source Synchronous clocking" the echo outputs provide tighter synchronization of the data transmitted from the multi-queue flow-control device and the read clock being received at the downstream device.

A Master Reset input is provided and all set-up and configuration pins are latched with respect to a Master Reset. For example, the bus width requirements are selected at Master Reset. A Partial Reset is provided for each internal Queue. When a Partial Reset is performed on a Queue, the read and write pointers of that Queue only are reset to the first memory location. All other pointers remain the same.

The device also has the capability of operating its I/O at either 2.5V LVTTTL, 1.5V HSTL or 1.8V eHSTL levels. A Voltage Reference, V_{REF} input is provided for HSTL and eHSTL interfaces. The type of I/O is selected via the IOSEL pin. The core supply voltage of the device, V_{CC} is always 2.5V, however the output pins have a separate supply, V_{DDQ} which can be 2.5V, 1.8V or 1.5V. The device also offers significant power savings in HSTL/eHSTL mode, most notably achieved by the presence of a Power Down input, $\overline{\text{PD}}$.

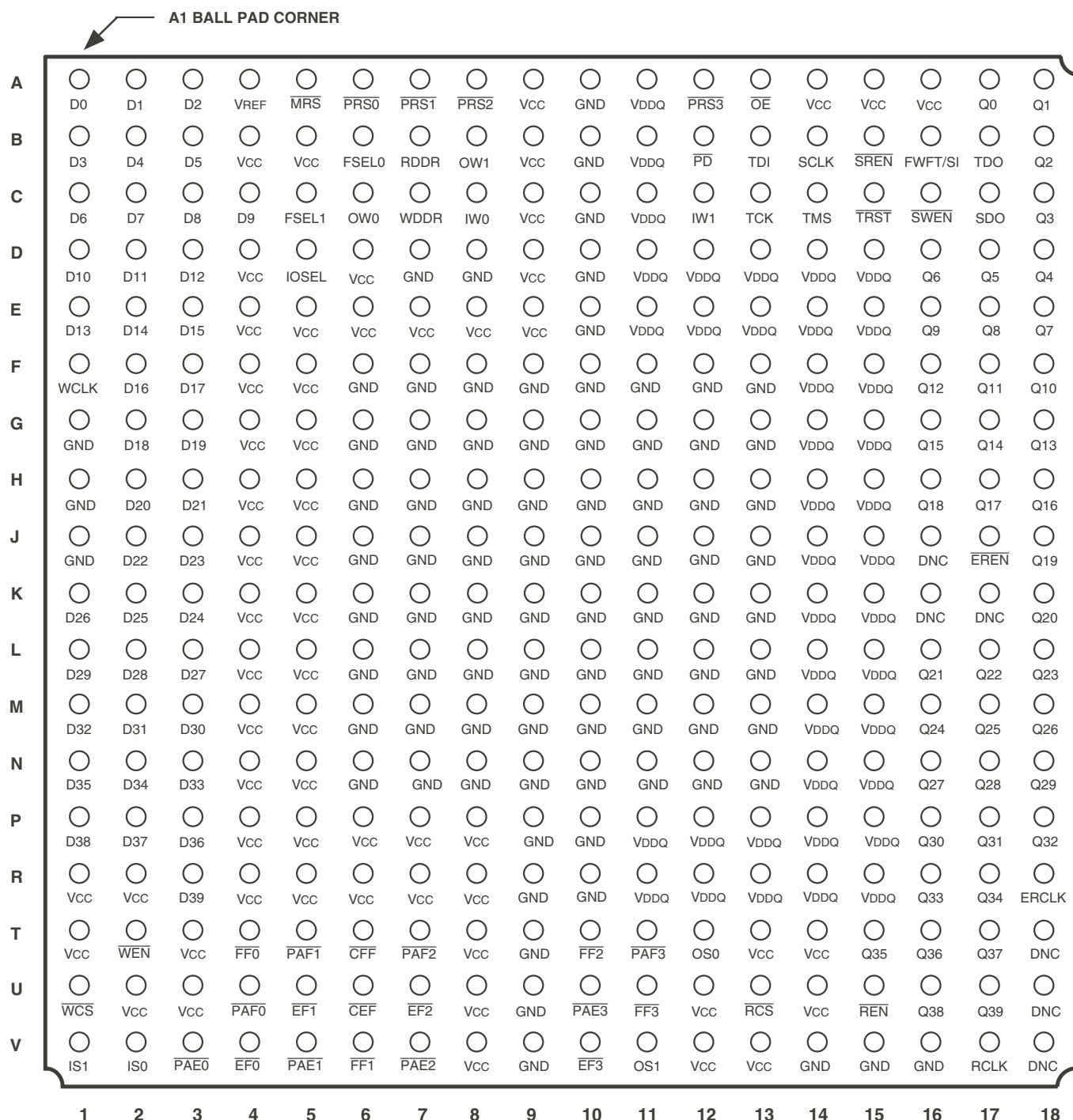
A JTAG test port is provided. The multi-queue DDR device has a fully functional Boundary Scan feature, compliant with IEEE 1149.1 Standard Test Access Port and Boundary Scan Architecture. The JTAG port can also be used to program the device set-up as described later in this document.



6159 drw02

Figure 1. Multi-Queue DDR Flow-Control Device Block Diagram

PIN CONFIGURATION



6159 drw03

NOTE:
 1. DNC - Do Not Connect.

PBGA: 1mm Pin Pitch, 19mm x 19mm (BB324-1, order code: BB)
 TOP VIEW

PIN DESCRIPTIONS

Symbol	Name	I/O TYPE	Description
$\overline{\text{CEF}}/\overline{\text{COR}}$	Composite Empty/ Composite Output Ready Flag	HSTL-LVTTL OUTPUT	This flag will represent the exact status of the current Queue being read without the user having to observe the correct Queue empty flag.
$\overline{\text{CFF}}/\overline{\text{CIR}}$	Composite Full/ Composite Input Ready flag	HSTL-LVTTL OUTPUT	This flag will represent the exact status of the current Queue being written without the user having to observe the correct Queue full flag.
D[39:0] Din	Data Input Bus	LVTTL INPUT	These are the 40 data input pins. Data is written into the device via these input pins on the rising edge of WCLK and/or the falling edge in DDR mode provided $\overline{\text{WEN}}$ is LOW. Due to bus-matching not all inputs may be used, any unused inputs should be tied to LOW.
$\overline{\text{EF}}0/\overline{\text{OR}}0$ $\overline{\text{EF}}1/\overline{\text{OR}}1$, $\overline{\text{EF}}2/\overline{\text{OR}}2$, $\overline{\text{EF}}3/\overline{\text{OR}}3$	Empty Flags 0/1/2/3 or Output Ready Flags 0/1/2/3	HSTL-LVTTL OUTPUT	These are the Empty Flag (Standard IDT mode) or Output Ready Flag (FWFT mode) outputs for the read port of Queue 0, 1, 2 and 3 respectively.
ERCLK	Echo Read Clock	HSTL-LVTTL OUTPUT	This is the echo clock output for the read port. It is synchronous to the data output bus Q[35:0] and the input RCLK.
$\overline{\text{EREN}}$	Echo Read Enable	HSTL-LVTTL OUTPUT	This is the echo read enable output for the read port. Echo Read Enable is synchronous to the RCLK input and is active when a read operation has occurred and a new word has been placed onto the data output bus.
$\overline{\text{FF}}0/\overline{\text{IR}}0$, $\overline{\text{FF}}1/\overline{\text{IR}}1$, $\overline{\text{FF}}2/\overline{\text{IR}}2$, $\overline{\text{FF}}3/\overline{\text{IR}}3$	Full Flags 0/1/2/3 or Input Ready Flags 0/1/2/3	HSTL-LVTTL OUTPUT	These are the Full Flag (Standard IDT mode) or Input Ready Flag (FWFT mode) outputs for the write port of Queue 0, 1, 2 and 3 respectively.
FSEL [1:0]	Flag Select	HSTL-LVTTL INPUT	Flag select default offset pins. During Master reset, the FSEL pins are used to select one of 4 default PAE and PAF offsets. Both the PAE and the PAF offsets are programmed to the same value. Values are: 00 = 7; 01 = 63; 10 = 127; 11 = 1023, meaning all four Queues have the same offset.
FWFT/SI	First Word Fall Through/ Serial Input	HSTL-LVTTL INPUT	During Master Reset, FWFT=1 selects First Word Fall Through mode, FWFT=0 selects IDT Standard mode. After Master Reset this pin is used for the Serial Data input for the programming of the PAE and PAF flags offset registers.
IOSEL	I/O Select	CMOS INPUT	During Master Reset if the IOSEL pin is HIGH, then all inputs and outputs that are designated "LVTTL or HSTL" will be set to HSTL. If LOW then they will be set to LVTTL. All pins with a CMOS format will remain unchanged. CMOS format means that the pin is intended to be tied to Vcc or GND and these particular pins are not tested for VIL or VIH.
IS[1:0]	Input Select	HSTL-LVTTL INPUT	These inputs select one of the four Queue's to be written into on the write port. The address on the input select pins is set-up with respect to the WCLK.
IW[1:0]	Input Width	CMOS INPUT	This pin is used during Master Reset to select the input word width bus size for the device. 00 = x10; 01 = x20; 10 = x40
$\overline{\text{MRS}}$	Master Reset	HSTL-LVTTL INPUT	This input provides a full device reset. All configuration pins are sampled based on a Master Reset operation.
$\overline{\text{OE}}$	Output Enable	HSTL-LVTTL INPUT	This is the Output Enable for the read port. The data outputs will be placed into High Impedance if this pin is HIGH. This input is asynchronous.
OS[1:0]	Output Select	HSTL-LVTTL INPUT	These inputs select one of the four Queue's to be read from on the read port. The address on the output select pins is set-up with respect to the RCLK.
OW[1:0]	Output Width	CMOS INPUT	This pin is used during Master Reset to select the output word width bus size for the device. 00 = x10; 01 = x20; 10 = x40
$\overline{\text{PAE}}0$, $\overline{\text{PAE}}1$ $\overline{\text{PAE}}2$, $\overline{\text{PAE}}3$	Programmable Almost Empty Flags 0/1/2/3	HSTL-LVTTL OUTPUT	These are the Programmable Almost Empty Flag outputs for the read port of Queue 0, 1, 2 and 3 respectively.

PIN DESCRIPTIONS (CONTINUED)

Symbol	Name	I/O TYPE	Description
$\overline{\text{PAF0}}, \overline{\text{PAF1}}$ $\overline{\text{PAF2}}, \overline{\text{PAF3}}$	Programmable Almost Full Flags 0/1/2/3	HSTL-LVTTL OUTPUT	These are the Programmable Almost Full Flag outputs for the write port of Queue 0, 1, 2 and 3 respectively.
$\overline{\text{PD}}$	Power Down	HSTL-LVTTL INPUT	This input provides considerable power saving in HSTL/eHSTL mode. If this pin is low, the input level translators for all the data input pins, clocks and non-essential control pins are turned off. When $\overline{\text{PD}}$ is brought high, a power-up sequence timing will have to be met before the inputs will be read. It is essential that the user respects these conditions when powering down the part and powering up the part, so as to not produce runt pulses or glitches on the clocks if the clocks are free running.
$\overline{\text{PRS0}}, \overline{\text{PRS1}}$ $\overline{\text{PRS2}}, \overline{\text{PRS3}}$	Partial Reset 0/1/2/3	HSTL-LVTTL INPUT	These are the Partial Reset inputs for each internal Queue. Resets the read and write and the flag pointers to zero, sets the output register to zero. During Partial Reset, the existing mode (IDT or FWFT) and the programmable flag settings are all retained.
Q[39:0] ⁽²⁾	Data Output Bus	LVTTL OUTPUT	These are the 40 data output pins. Data is read out of the device via these output pins on the rising edge of RCLK provided that $\overline{\text{REN}}$ is LOW, OE is LOW and the queue is selected. Due to bus-matching not all outputs may be used, any unused outputs should not be connected.
RCLK	Read Clock	HSTL-LVTTL INPUT	This is the clock input for the read port. All read port operations will be synchronous to this clock input.
$\overline{\text{RCS}}$	Read Chip Select	HSTL-LVTTL INPUT	This is the read chip select input for the read port. All read operations will occur synchronous to the RCLK clock input provided that $\overline{\text{REN}}$ and $\overline{\text{RCS}}$ are LOW. When RCS is HIGH the outputs are in high-impedance and reads are disabled.
RDDR	Read Port DDR	CMOS INPUT	During master reset, this pin selects DDR or SDR format. If RDDR=1, then the RCLK reads a word on both the rising and falling edge of RCLK. If RDDR=0 then the RCLK reads a word only on the rising edge of RCLK.
$\overline{\text{REN}}$	Read Enable	HSTL-LVTTL INPUT	This is the read enable input for the read port. All read operations will occur synchronous to the RCLK clock input provided that $\overline{\text{REN}}$ and $\overline{\text{RCS}}$ are LOW.
SCLK	Serial Clock	HSTL-LVTTL INPUT	Serial clock for programming and reading the $\overline{\text{PAE}}$ and $\overline{\text{PAF}}$ offset registers. On the rising edge of each SCLK, when $\overline{\text{SWEN}}$ is low, one bit of data is shifted into the PAE and PAF registers. On the rising edge of each SCLK, when $\overline{\text{SREN}}$ is low, one bit of data is shifted out of the readback $\overline{\text{PAE}}$ and $\overline{\text{PAF}}$ registers. The reading of the $\overline{\text{PAE}}$ and $\overline{\text{PAF}}$ registers is non-destructive.
SDO	Serial Data Output	HSTL-LVTTL OUTPUT	When $\overline{\text{SREN}}$ is brought low before the rising edge of SCLK, the contents of the $\overline{\text{PAE}}$ and $\overline{\text{PAF}}$ registers are copied to a readback serial register. While $\overline{\text{SREN}}$ is maintained low, on each rising edge of SCLK, one bit of data is shifted out of this readback register through the SDO output pin.
$\overline{\text{SREN}}$	Serial Read Enable	HSTL-LVTTL INPUT	When $\overline{\text{SREN}}$ is brought low before the rising edge of SCLK, the contents of the $\overline{\text{PAE}}$ and $\overline{\text{PAF}}$ registers are copied to a readback serial register. While $\overline{\text{SREN}}$ is maintained low, on each rising edge of SCLK, one bit of data is shifted out of this readback register through the SDO output pin.
$\overline{\text{SWEN}}$	Serial Write Enable	HSTL-LVTTL INPUT	On each rising edge of SCLK when $\overline{\text{SWEN}}$ is low, data from the FWFT/SI pin is serially loaded into the PAE and PAF registers. Each bit loaded into the registers go directly to the $\overline{\text{PAE}}$ / $\overline{\text{PAF}}$ registers and the new flags will be in operation.
TCK ⁽³⁾	JTAG Clock	HSTL-LVTTL INPUT	Clock input for JTAG function. One of four terminals required by IEEE Standard 1149.1-1990. Test operations of the device are synchronous to TCK. Data from TMS and TDI are sampled on the rising edge of TCK and TDO change on the falling edge of TCK. If the JTAG function is not used this signal needs to be tied to GND.
TDI ⁽³⁾	JTAG Test Data Input	HSTL-LVTTL INPUT	One of four terminals required by IEEE Standard 1149.1-1990. During the JTAG boundary scan operation, test data is serially scanned to the TDI on the rising edge of TCK to the Instruction Register, ID Register, Bypass Register, or Boundary Scan chain. An internal pull-up resistor forces TDI HIGH if left unconnected.
TDO ⁽³⁾	JTAG Test Data Output	HSTL-LVTTL OUTPUT	One of four terminals required by IEEE Standard 1149.1-1990. During the JTAG boundary scan operation, test data is serially loaded via the TDO on the falling edge of TCK from either the Instruction Register, ID Register, Bypass Register and Boundary Scan chain. This output is high-impedance except when shifting, while in SHIFT-DR and SHIFT-IR controller states.

PIN DESCRIPTIONS (CONTINUED)

Symbol	Name	I/O TYPE	Description
TMS ⁽³⁾	JTAG Mode Select	HSTL-LVTTL INPUT	TMS is a serial input pin. One of four terminals required by IEEE Standard 1149.1-1990. TMS directs the device through its TAP controller states sampled on the rising edge of TCK. An internal pull-up resistor forces TMS HIGH if left unconnected.
$\overline{\text{TRST}}^{(3)}$	JTAG Reset	HSTL-LVTTL INPUT	$\overline{\text{TRST}}$ is an asynchronous reset pin for the JTAG controller. The JTAG TAP controller is automatically reset upon power-up. If the TAP controller is not properly reset then the Queue outputs will always be in high-impedance. If the JTAG function is used but the user does not want to use $\overline{\text{TRST}}$, then $\overline{\text{TRST}}$ can be tied with $\overline{\text{MRS}}$ to ensure proper Queue operation. If the JTAG function is not used then this signal needs to be tied to GND. An internal pull-up resistor forces $\overline{\text{TRST}}$ HIGH if left unconnected.
WCLK	Write Clock	HSTL-LVTTL INPUT	This is the clock input for the write port. All write port operations will be synchronous to this clock input on either the rising edge (SDR mode) or rising or falling edge (DDR mode).
$\overline{\text{WCS}}$	Write Chip Select	HSTL-LVTTL INPUT	This is the write chip select input for the write port. All write operations will occur synchronous to the WCLK clock input provided that $\overline{\text{WEN}}$ and $\overline{\text{WCS}}$ are LOW, sampled on WCLK.
WDDR	Write Port DDR	CMOS INPUT	During master reset, this pin selects DDR or SDR format. If WDDR=1, then the WCLK writes a word on both the rising and falling edge. If WDDR=0 then the WCLK writes a word only on the rising edge.
$\overline{\text{WEN}}$	Write Enable	HSTL-LVTTL INPUT	This is the write enable input for the write port. All write operations will occur synchronous to the WCLK clock input provided that $\overline{\text{WEN}}$ and $\overline{\text{WCS}}$ are LOW, sampled on the rising edge of WCLK.
VCC	+2.5 Supply	PWR	Power supply for the chip core, 2.5V.
VDDQ	Output Rail Voltage	PWR	Power supply for all of the chip's outputs. 2.5V for LVTTTL outputs, 1.5V for HSTL outputs or 1.8V for eHSTL outputs.
GND	Ground Pin	GND	Ground connection.
VREF	Reference voltage	Analog	Voltage Reference input for HSTL inputs.

NOTES:

1. All CMOS pins should remain unchanged. CMOS format means that the pin is intended to be tied directly to Vcc or GND and these particular pins are not tested for V_{IH} or V_{IL} .
2. All unused outputs should be left un-connected.
3. These pins are for the JTAG port. Please refer to pages 29-33, Figure 7-9 for JTAG information.

ABSOLUTE MAXIMUM RATINGS

Symbol	Rating	Com'l & Ind'l	Unit
VTERM	Terminal Voltage with respect to GND	-0.5 to +3.6 ⁽²⁾	V
TSTG	Storage Temperature	-55 to +125	°C
IOUT	DC Output Current	-50 to +50	mA

NOTES:

- Stresses greater than those listed under ABSOLUTE MAXIMUM RATINGS may cause permanent damage to the device. This is a stress rating only and functional operation of the device at these or any other conditions above those indicated in the operational sections of this specification is not implied. Exposure to absolute maximum rating conditions for extended periods may affect reliability.
- Compliant with JEDEC JESD8-5. VCC terminal only.

CAPACITANCE (TA = +25°C, f = 1.0MHz)

Symbol	Parameter ⁽¹⁾	Conditions	Max.	Unit
CIN ^(2,3)	Input Capacitance	VIN = 0V	10 ⁽³⁾	pF
COU ^(1,2)	Output Capacitance	VOUT = 0V	10	pF

NOTES:

- With output deselected, ($\overline{OE} \geq V_{IH}$).
- Characterized values, not currently tested.
- CIN for Vref is 20pF.

RECOMMENDED DC OPERATING CONDITIONS

Symbol	Parameter	Min.	Typ.	Max.	Unit	
VCC	Supply Voltage with reference to GND	2.375	2.5	2.625	V	
VDDQ	Output Supply Voltage	— LVTTTL	2.375	2.5	2.625	V
		— eHSTL	1.7	1.8	1.9	V
		— HSTL ⁽²⁾	1.4	1.5	1.6	V
VREF	Voltage Reference Input	— eHSTL	0.8	0.9	1.0	V
		— HSTL ⁽²⁾	0.68	0.75	0.9	V
VIH	Input High Voltage	— LVTTTL	1.7	—	3.45	V
		— eHSTL	VREF+0.1	—	VDDQ+0.3	V
		— HSTL ⁽²⁾	VREF+0.1	—	VDDQ+0.3	V
VIL	Input Low Voltage	— LVTTTL	—	—	0.7	V
		— eHSTL	-0.3	—	VREF-0.1	V
		— HSTL ⁽²⁾	-0.3	—	VREF-0.1	V
TA	Operating Temperature Commercial	0	—	+70	°C	
TA	Operating Temperature Industrial	-40	—	+85	°C	

NOTES:

- VREF is only required for HSTL or eHSTL inputs. VREF should be tied LOW for LVTTTL operation.
- Compliant with JEDEC JESD8-6.
- GND = Ground.

DC ELECTRICAL CHARACTERISTICS

(Industrial: VCC = 2.5V ± 0.125V, TA = -40°C to +85°C)

Symbol	Parameter	Min.	Max.	Unit	
I _{LI}	Input Leakage Current	-10	+10	μA	
I _{LO}	Output Leakage Current	-10	+10	μA	
V _{OH} ⁽⁷⁾	Output Logic "1" Voltage, I _{OH} = -8 mA @LVTTTL I _{OH} = -8 mA @eHSTL I _{OH} = -8 mA @HSTL	V _{DDQ} -0.4 V _{DDQ} -0.4 V _{DDQ} -0.4	— — —	V V V	
V _{OL}	Output Logic "0" Voltage, I _{OL} = 8 mA @LVTTTL I _{OL} = 8 mA @eHSTL I _{OL} = 8 mA @HSTL	— — —	0.4 0.4 0.4	V V V	
I _{CC} ^(1,2,3)	Active V _{CC} Current (See Note 8 for test conditions)	-- LVTTTL -- eHSTL -- HSTL	— — —	200 ⁽⁶⁾ 260 ⁽⁶⁾ 260 ⁽⁶⁾	mA mA mA
I _{DDQ} ^(1,2,3)	Active V _{DDQ} Current (See Note 8 for test conditions)	-- LVTTTL -- eHSTL -- HSTL	— — —	20 8 8	mA mA mA
I _{SB1} ^(1,2,3)	Standby V _{CC} Current (See Note 9 for test conditions)	-- LVTTTL -- eHSTL -- HSTL	— — —	120 ⁽⁶⁾ 190 ⁽⁶⁾ 190 ⁽⁶⁾	mA mA mA
I _{SB2} ^(1,2,3)	Standby V _{DDQ} Current (See Note 9 for test conditions)	-- LVTTTL -- eHSTL -- HSTL	— — —	15 8 8	mA mA mA
I _{PD1} ^(1,2,3)	Power Down V _{CC} Current (See Note 10 for test conditions)	-- LVTTTL -- eHSTL -- HSTL	— — —	15 ⁽⁶⁾ 30 ⁽⁶⁾ 30 ⁽⁶⁾	mA mA mA
I _{PD2} ^(1,2,3)	Power Down V _{DDQ} Current (See Note 10 for test conditions)	-- LVTTTL -- eHSTL -- HSTL	— — —	0.5 0.5 0.5	mA mA mA

NOTES:

- Both WCLK and RCLK toggling at 20MHz.
- Data inputs toggling at 10MHz.
- Typical ICC1 calculation: for LVTTTL I/O ICC1 (mA) = 6 x fs, fs = WCLK frequency = RCLK frequency (in MHz)
for HSTL or eHSTL I/O ICC1 (mA) = 90+ (6 x fs), fs = WCLK frequency = RCLK frequency (in MHz)
- Typical IDDQ calculation: With Data Outputs in High-Impedance: IDDQ (mA) = 0.25 x fs, fs = WCLK = RCLK frequency (in MHz)
With Data Outputs in Low-Impedance: IDDQ (mA) = (CL x VDDQ x fs x N) / 2000
fs = WCLK frequency = RCLK frequency (in MHz), VDDQ = 2.5V for LVTTTL; 1.5V for HSTL; 1.8V for eHSTL
tA = 25°C, CL = capacitive load (pF), N = Number of bits switching
- Total Power consumed: PT = [(VCC x ICC) + (VDDQ x IDDQ)]. IOH = -8mA for all voltage levels.
- Maximum value tested with RCLK = WCLK = 20MHz at 85°C. Maximum value may differ depending on VCC and temperature.
- Outputs are not 3.3V tolerant.
- VCC = 2.5V, WCLK = RCLK = 20MHz, $\overline{WEN} = \overline{REN} = \text{LOW}$, $\overline{WCS} = \overline{RCS} = \text{LOW}$, $\overline{OE} = \text{LOW}$, $\overline{PD} = \text{HIGH}$.
- VCC = 2.5V, WCLK = RCLK = 20MHz, $\overline{WEN} = \overline{REN} = \text{HIGH}$, $\overline{WCS} = \overline{RCS} = \text{HIGH}$, $\overline{OE} = \text{LOW}$, $\overline{PD} = \text{HIGH}$.
- VCC = 2.5V, WCLK = RCLK = 20MHz, $\overline{WEN} = \overline{REN} = \text{HIGH}$, $\overline{WCS} = \overline{RCS} = \text{HIGH}$, $\overline{OE} = \text{LOW}$, $\overline{PD} = \text{LOW}$.

AC ELECTRICAL CHARACTERISTICS⁽¹⁾

(Commercial: V_{CC} = 2.5V ± 0.15V, T_A = 0°C to +70°C; Industrial: V_{CC} = 2.5V ± 0.15V, T_A = -40°C to +85°C; JEDEC compliant)

Symbol	Parameter	Commercial		Commercial & Industrial		Unit
		Min.	Max.	Min.	Max.	
fs1	Clock Cycle Frequency (WCLK & RCLK) SDR	—	200	—	150	MHz
fs2	Clock Cycle Frequency (WCLK & RCLK) DDR	—	100	—	75	MHz
tA	Data Access Time	0.6	3.6	0.6	3.8	ns
tCLK1	Clock Cycle Time SDR	5	—	6.7	—	ns
tCLK2	Clock Cycle Time DDR	10	—	13	—	ns
tCLKH1	Clock High Time SDR	2.3	—	2.8	—	ns
tCLKH2	Clock High Time DDR	4.5	—	6.0	—	ns
tCLKL1	Clock Low Time SDR	2.3	—	2.8	—	ns
tCLKL2	Clock Low Time DDR	4.5	—	6.0	—	ns
tDS	Data Setup Time	1.5	—	2.0	—	ns
tDH	Data Hold Time	0.5	—	0.5	—	ns
tENS	Enable Setup Time	1.5	—	2.0	—	ns
tENH	Enable Hold Time	0.5	—	0.5	—	ns
fc	Clock Cycle Frequency (SCLK)	—	10	—	10	MHz
tASO	Serial Output Data Access Time	—	20	—	20	ns
tSCLK	Serial Clock Cycle	100	—	100	—	ns
tSCKH	Serial Clock High	45	—	45	—	ns
tSCKL	Serial Clock Low	45	—	45	—	ns
tSDS	Serial Data In Setup	15	—	15	—	ns
tSDH	Serial Data In Hold	5	—	5	—	ns
tSENS	Serial Enable Setup	5	—	5	—	ns
tSENH	Serial Enable Hold	5	—	5	—	ns
tRS	Reset Pulse Width	200	—	200	—	ns
tRSS	Reset Setup Time	15	—	15	—	ns
tRSR	Reset Recovery Time	10	—	10	—	ns
tRSF	Reset to Flag and Output Time	—	12	—	15	ns
tOLZ ($\overline{OE} - Q_n$) ⁽²⁾	Output Enable to Output in Low-Impedance	0.6	3.6	0.8	3.8	ns
tOHZ ⁽²⁾	Output Enable to Output in High-Impedance	0.6	3.6	0.8	3.8	ns
tOE	Output Enable to Data Output Valid	0.6	3.6	0.8	3.8	ns
tWFF	Write Clock to \overline{FF} or \overline{IR}	—	3.6	—	3.8	ns
tREF	Read Clock to \overline{EF} or \overline{OR}	—	3.6	—	3.8	ns
tCEF	Read Clock to Composite \overline{EF} or \overline{OR}	—	3.6	—	3.8	ns
tCFF	Write Clock to Composite \overline{FF} or \overline{IR}	—	3.6	—	3.8	ns
tPAFS	Write Clock to Synchronous Programmable Almost-Full Flag	—	3.6	—	3.8	ns
tPAES	Read Clock to Synchronous Programmable Almost-Empty Flag	—	3.6	—	3.8	ns
tPAFA	Write Clock to Asynchronous Programmable Almost-Full Flag	—	10	—	12	ns
tPAEA	Read Clock to Asynchronous Programmable Almost-Empty Flag	—	10	—	12	ns
tERCLK	RCLK to Echo RCLK Output	—	4.0	—	4.3	ns
tCLKEN	RCLK to Echo \overline{REN} Output	—	3.6	—	3.8	ns
tD	Time Between Data Switching and ERCLK edge	0.4	—	0.5	—	ns
tRCSLZ	RCLK to Active from High-Impedance	—	3.6	—	3.8	ns
tRCSHZ	RCLK to High-Impedance	—	3.6	—	3.8	ns
tSKEW1	SKEW time between RCLK and WCLK for $\overline{EF}/\overline{OR}$ and $\overline{FF}/\overline{IR}$	4	—	5	—	ns
tSKEW2	SKEW time between RCLK and WCLK for $\overline{EF}/\overline{OR}$ and $\overline{FF}/\overline{IR}$ in DDR mode	5	—	7	—	ns
tSKEW3	SKEW time between RCLK and WCLK for \overline{PAE} and \overline{PAF}	5	—	7	—	ns

NOTES:

1. With exception to clock cycle frequency, these parameters apply to both DDR and SDR modes of operation.
2. Values guaranteed by design, not currently tested.
3. Industrial temperature range product for the 6-7ns speed grade is available as a standard device. All other speed grades available by special order.

HSTL

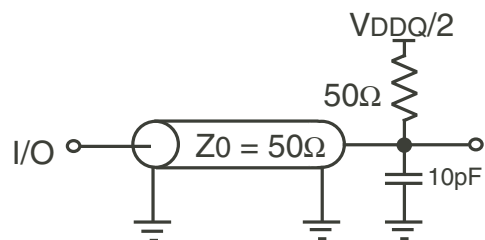
1.5V AC TEST CONDITIONS

Input Pulse Levels	0.25 to 1.25V
Input Rise/Fall Times	0.4ns
Input Timing Reference Levels	0.75V
Output Reference Levels	0.75V

NOTE:

1. $V_{DDQ} = 1.5V$.

AC TEST LOADS



6159 drw04

Figure 2a. AC Test Load

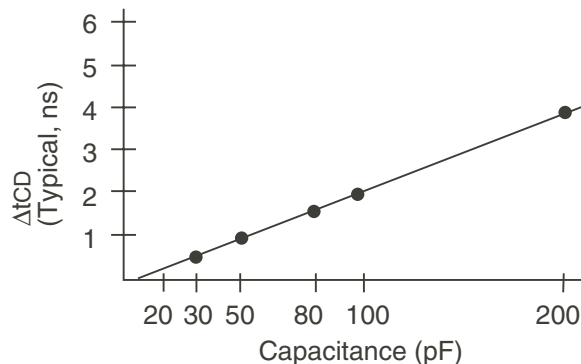
EXTENDED HSTL

1.8V AC TEST CONDITIONS

Input Pulse Levels	0.4 to 1.4V
Input Rise/Fall Times	0.4ns
Input Timing Reference Levels	0.9V
Output Reference Levels	0.9V

NOTE:

1. $V_{DDQ} = 1.8V$.



6159 drw04a

Figure 2b. Lumped Capacitive Load, Typical Derating

LVTTTL

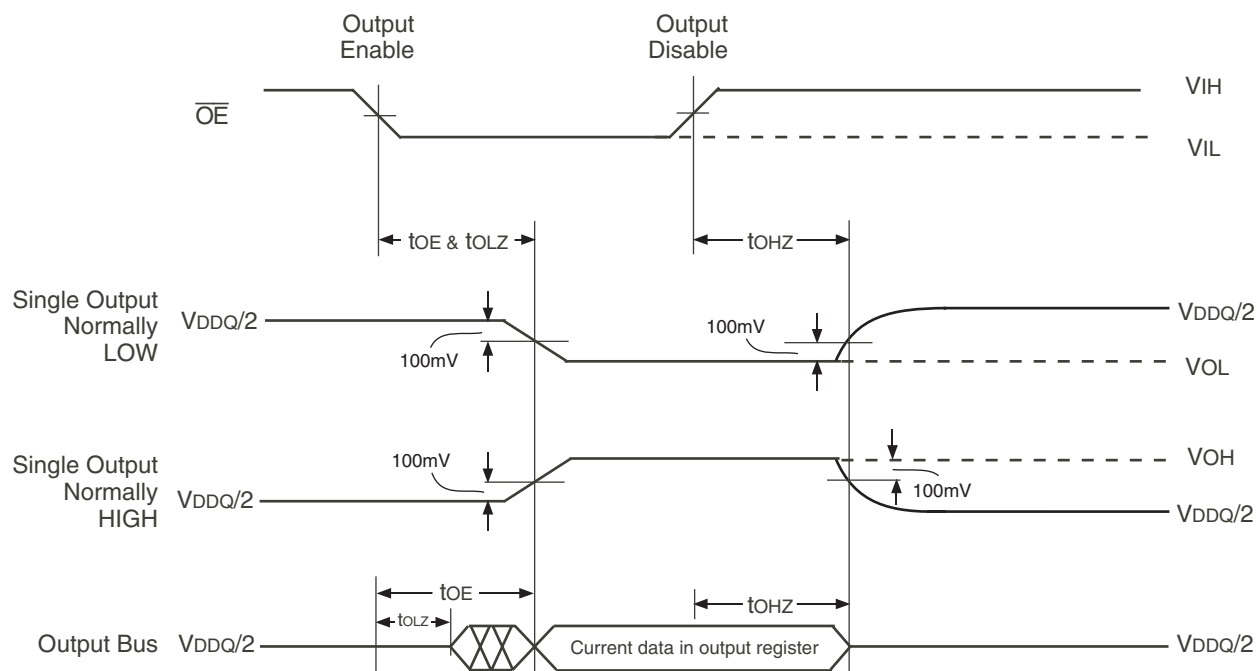
2.5V AC TEST CONDITIONS

Input Pulse Levels	GND to 2.5V
Input Rise/Fall Times	1ns
Input Timing Reference Levels	1.25V
Output Reference Levels	1.25V

NOTE:

1. For LVTTTL, $V_{CC} = V_{DDQ} = 2.5V$.

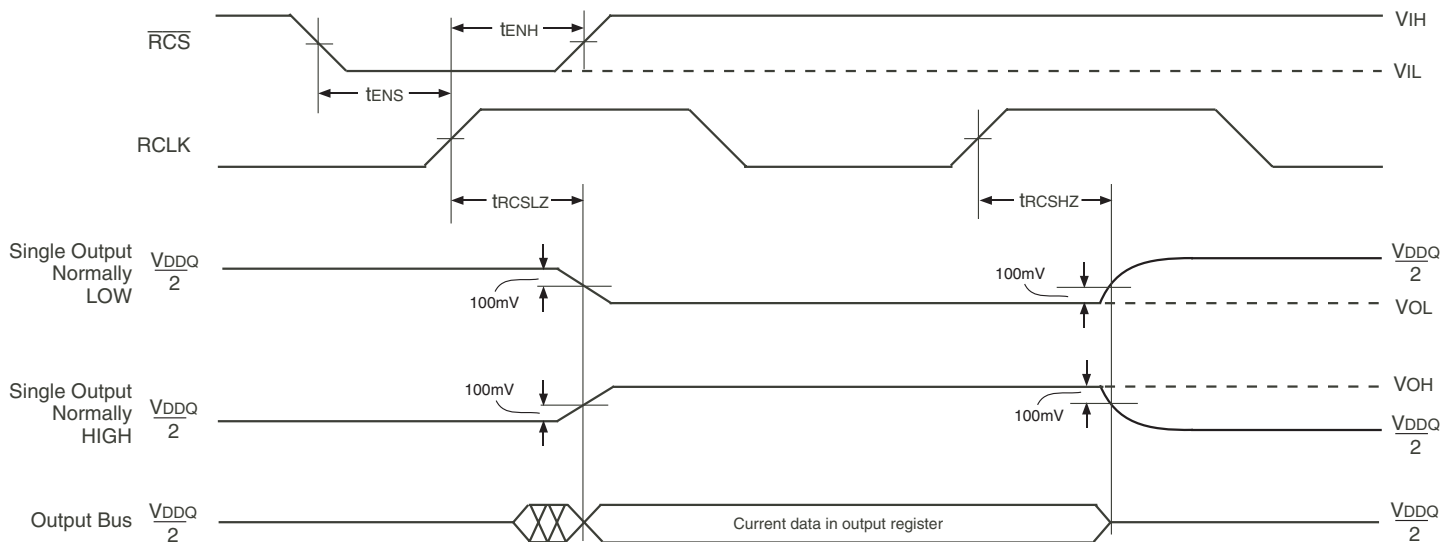
OUTPUT ENABLE & DISABLE TIMING



- NOTES:**
 1. \overline{REN} is HIGH.
 2. \overline{RCS} is LOW.

6159 drw05

READ CHIP SELECT ENABLE & DISABLE TIMING



6158 drw06

- NOTES:**
 1. \overline{REN} is HIGH.
 2. \overline{OE} is LOW.

FUNCTIONAL DESCRIPTIONS

MASTER RESET & DEVICE CONFIGURATION - \overline{MRS}

During Master Reset the device configuration and settings are determined, this includes the following:

1. IDT Standard or First Word Fall Through (FWFT) flag timing mode
2. Single or Double Data Rates on both the Write and Read ports
3. Programmable flag mode, synchronous or asynchronous timing
4. Write and Read Port Bus Widths, x40, x20, or x10
5. Default Offsets for the programmable flags, 7, 63, 127, or 1023
6. LVTTTL or HSTL I/O selection
7. Default starting Queue

The state of the configuration inputs during master reset will determine which of the above modes are selected. A master reset comprises of pulsing the \overline{MRS} input pin from high to low for a period of time (t_{rs}) with the configuration inputs held in their respective states. Table 1 summarizes the configuration modes available during master reset. They are described as follows:

IDT Standard or FWFT Mode. The two available flag timing modes are selected using the FWFT/SI input. If FWFT/SI is LOW during master reset then IDT Standard mode is selected, if it is high then FWFT mode is selected. The timing modes are described later in Timing Modes: IDT Standard vs First Word Fall Through (FWFT) Mode section.

TABLE 1 — DEVICE CONFIGURATION

PINS	VALUES	CONFIGURATION
FWFT/SI	0 1	IDT Standard FWFT
WDDR	0 1	Single Data Rate write port Double Data Rate write port
RDDR	0 1	Single Data Rate read port Double Data Rate read port
IW[1:0]	00 01 10 11	Write port is 10 bits wide Write port is 20 bits wide Write port is 40 bits wide Restricted
OW[1:0]	00 01 10 11	Read port is 10 bits wide Read port is 20 bits wide Read port is 40 bits wide Restricted
FSEL[1:0]	00 01 10 11	Programmable flag offset registers value = 7 Programmable flag offset registers value = 63 Programmable flag offset registers value = 127 Programmable flag offset registers value = 1023
IOSEL	0 1	All applicable I/Os (except CMOS) are LVTTTL All applicable I/Os (except CMOS) are HSTL/eHSTL
IS[1:0]	00 01 10 11	Queue0 Queue1 Queue2 Queue3
OS[1:0]	00 01 10 11	Queue0 Queue1 Queue2 Queue3

Single Data Rate (SDR) or Double Data Rate (DDR). The input/output data rates are port selectable. This is a versatile feature that allows the user to select either SDR or DDR on the write ports and/or reads ports of all Queues using the WDDR and/or RDDR inputs. If WDDR is LOW during master reset then the write ports of all Queues will function in SDR mode, if it is high then the write ports will be DDR mode. If RDDR is LOW during master reset then the read ports of all Queues will function in SDR mode, if it is high then the read port will be DDR mode. This feature is described in the Signal Descriptions section.

Programmable Almost Empty/Full Flags. The almost empty and almost full offsets are user programmable, with offset values listed in Table 2. Both \overline{PAE} and \overline{PAF} are double-buffered and updated based on the rising edge of their respective clocks. \overline{PAE} with respect to RCLK and \overline{PAF} with respect to WCLK.

Selectable Bus Width. The bus width can be selected on independently the read and write ports using the IW and OW inputs. IW pins set the write port width to x40, x20 or x10 bits wide. The OW pins set the read port to x40, x20 or x10 bits wide.

Programmable Flag Offset Values. These offset values can be user programmed or they can be set to one of four default values during a master reset. For default programming, the state of the FSEL[1:0] inputs during master reset will determine the value. Table 2, Default Programmable offsets lists the four offset values and how to select them. For programming the offset values to a specific number, use the serial programming signals (SCLK, \overline{SWEN} , \overline{SREN} , FWFT/SI) to load the value into the offset register. You may also use the JTAG port on this device to load the offset value. Keep in mind that you must disable the serial programming signals if you plan to use the JTAG port for loading the offset values. To disable the serial programming signals, tie SCLK, \overline{SWEN} , \overline{SREN} , and FWFT/SI to VCC. A thorough explanation of the serial and JTAG programming of the flag offset values is provided in the next section titled "Serial Write and Reading of Offset Registers".

I/O Level Selection. The I/Os can be selected for either 2.5V LVTTTL levels or 1.5V HSTL / 1.8V eHSTL levels. The state of the IOSEL input will determine which I/O level will be selected. If IOSEL is HIGH then the applicable I/Os will be 1.5V HSTL or 1.8V eHSTL, depending on the voltage level applied to VDDQ and VREF. For HSTL, VDDQ = 1.5V and VREF = 1/2 VDDQ. For eHSTL VDDQ = 1.8V and VREF = 1/2 VDDQ. If IOSEL is LOW then the applicable I/Os will be 2.5V LVTTTL. As noted in the Pin Description section, IOSEL is a CMOS input and must be tied to either VCC or GND for proper operation.

Input and Output Selection. During master reset, the value of IS[1:0] and OS[1:0] will be held constant and indicates which internal Queue the read and write port will select for initial operation. Data will be written to or read from this internal Queue on the first valid write and read operation after master reset.

TABLE 2 — DEFAULT PROGRAMMABLE FLAG OFFSETS

IDT72T51248 / IDT72T51258 / IDT72T51268		
FSEL1	FSEL0	Offsets n,m
0	0	7
0	1	63
1	0	127
1	1	1023

NOTES:

1. In default programming, the offset value selected applies to all internal Queues.
2. To program different offset values for each Queue, serial programming must be used.

SERIAL WRITING AND READING OF OFFSET REGISTERS

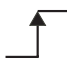



These offset registers can be loaded with a default value or they can be user programmed with another value. One of four default values are detected based on the state of the FSEL[1:0] inputs, discussed in the Functional Description section earlier. User programming of the offset values can be performed by either the dedicated serial programming port or the JTAG port. The dedicated serial port can be used to load or read the contents of the offset registers. The offset registers are programmed and read sequentially and behave similar to a shift register.

The serial read and write operations are performed by the dedicated SCLK, FWFT/SI, SWEN, SREN, and SDO pins. The total number of bits per device is listed in Figure 3, *Programmable Flag Offset Programming Methods*. These bits account for all four PAE/PAF offset registers in the device. To write to the offset registers, set the serial write enable signal active (LOW), and on each rising edge of SCLK one bit from the FWFT/SI pin is serially shifted into the flag offset register chain. Once the complete number of bits has been programmed into all four registers, the programming sequence is complete. To read values from the offsets registers, set the serial read enable active (LOW). Then on each rising edge of SCLK, one bit is shifted out to the serial data output. The serial read enable must be kept LOW throughout the entire read operation. To stop reading

the offset register, disable the serial read enable (HIGH). There is serial read enable to SCLK time for reading the offset registers, as the offset register data for each Queue is temporarily stored in a scan chain. When data has been completely read out of the offset registers, any additional read operations to the offset register will result in zeros as the output data.

Reading and writing of the offset registers can also be accomplished using the JTAG port. To write to the offset registers using JTAG, set the instructional register to the offset write command (Hex Value = 0x0008). The JTAG port will load data into each of the offset registers in a similar fashion as the serial programming described above. To read the values from the offset registers, set the instructional register to the offset read command (Hex Value = 0x0007). The TDO of the JTAG port will output data in a similar fashion as the serial programming described above.

The number of bits required to load the offset registers is dependent on the size of the device selected. Each offset register requires different total number of bits depending on input and output bus width configuration. This total must be programmed into the device in order for all the flags to be programmed correctly. To change values of one or more offset register, all of the registers must be reprogrammed serially again.

TDI*	TCK*	SWEN	SREN	SCLK	IDT72T51248 IDT72T51258 IDT72T51268		
					IW/OW = x40	IW/OW = x20	IW/OW = x10
0008		0	1		Serial write into register: 104 bits for the IDT72T51248 112 bits for the IDT72T51258 120 bits for the IDT72T51268 1 bit for each rising SCLK edge starting with empty offset (LSB) ending with full offset (MSB)	Serial write into register: 112 bits for the IDT72T51248 120 bits for the IDT72T51258 128 bits for the IDT72T51268 1 bit for each rising SCLK edge starting with empty offset (LSB) ending with full offset (MSB)	Serial write into register: 120 bits for the IDT72T51248 128 bits for the IDT72T51258 136 bits for the IDT72T51268 1 bit for each rising SCLK edge starting with empty offset (LSB) ending with full offset (MSB)
0007		1	0		Serial read from registers: 104 bits for the IDT72T51248 112 bits for the IDT72T51258 120 bits for the IDT72T51268 1 bit for each rising SCLK edge starting with empty offset (LSB) ending with full offset (MSB)	Serial read from registers: 112 bits for the IDT72T51248 120 bits for the IDT72T51258 128 bits for the IDT72T51268 1 bit for each rising SCLK edge starting with empty offset (LSB) ending with full offset (MSB)	Serial read from registers: 120 bits for the IDT72T51248 128 bits for the IDT72T51258 136 bits for the IDT72T51268 1 bit for each rising SCLK edge starting with empty offset (LSB) ending with full offset (MSB)
Don't care except 0008 & 0007	X	1	1	X	No Operation	No Operation	No Operation

NOTES:

- * Programming done using the JTAG port.
- 1. The programming methods apply to both IDT Standard mode and FWFT mode.
- 2. Parallel programming is not featured in this device.
- 3. The number of bits includes programming to all four dedicated PAE/PAF offset registers.

Figure 3. Programmable Flag Offset Programming Methods

TIMING MODES: IDT STANDARD vs FIRST WORD FALL THROUGH (FWFT) MODE

The IDT72T51248/72T51258/72T51268 support two different timing modes of operation: IDT Standard mode or First Word Fall Through (FWFT) mode. The selection of which mode will operate is determined during master reset, by the state of the FWFT input.

During master reset, if the FWFT pin is LOW, then IDT Standard mode will be selected. This mode uses the Empty Flag (EF) to indicate whether or not there are any words present in the Queue. It also uses the Full Flag (FF) to indicate whether or not the Queue has any free space for writing. In IDT Standard mode, every word read from the Queue, including the first, must be requested using the Read Enable (REN) and RCLK.

If the FWFT pin is HIGH during master reset, then FWFT mode will be selected. This mode uses Output Ready (OR) to indicate whether or not there is valid data at the data outputs. It also uses Input Ready (IR) to indicate whether or not the Queue has any free space for writing. In the FWFT mode, the first word written to an empty Queue goes directly to output bus after three RCLK rising edges, applying RCS = LOW is not necessary. However, subsequent words must be accessed using the RCS and RCLK. Various signals, in both inputs and outputs operate differently depending on which timing mode is in effect. The timing mode selected affects all internal Queues equally.

IDT STANDARD MODE

In this mode, the status flags \overline{FF} , \overline{PAF} , \overline{PAE} , and \overline{EF} operate in the manner outlined in Table 3. To write data into the Queue, Write Enable (WEN) and write chip select WCS must be LOW. Data presented to the D[39:0] lines will be clocked into the Queue on subsequent transitions of the Write Clock (WCLK). After the first write is performed, the Empty Flag (\overline{EF}) will go HIGH after three clock cycles. Subsequent writes will continue to fill up the Queue. The Programmable Almost-Empty flag (\overline{PAE}) will go HIGH after n + 1 words have been loaded into the Queue, where n is the empty offset value. The default setting for these values are listed in Table 3. This parameter is also user programmable as described in the serial writing and reading of offset registers section.

Continuing to write data into the Queue without performing read operations will cause the Programmable Almost-Full flag (\overline{PAF}) to go LOW. Again, if no reads are performed, the \overline{PAF} will go LOW after (8,192-m) writes for the IDT72T51248, (16,384-m) writes for the IDT72T51258, and (32,768-m) writes for the IDT72T51268. This is assuming the I/O bus width is configured to x40. If the I/O is x20, then \overline{PAF} will go LOW after (16,384-m) writes for the IDT72T51248, (32,768-m) writes for the IDT72T51258, and (65,536-m) writes for the IDT72T51268. If the I/O is x10, then \overline{PAF} will go LOW after (32,768-m) writes for the IDT72T51248, (65,536-m) writes for the IDT72T51258, and (131,072-m) writes for the IDT72T51268. The offset "m"

Serial Bits	IDT72T51248 IW/OW = x40	IDT72T51248 IW/OW = x20 or IDT72T51258 IW/OW = x40	IDT72T51248 IW/OW = x20 or IDT72T51258 IW/OW = x20 or IDT72T51268 IW/OW = x40	IDT72T51258 IW/OW = x10 or IDT72T51268 IW/OW = x20	IDT72T51268 IW/OW = x10	Offset Register
	1 - 13	1 - 14	1 - 15	1 - 16	1 - 17	$\overline{PAE}3$
	14 - 26	15 - 28	16 - 30	17 - 32	18 - 34	$\overline{PAF}3$
	27 - 39	29 - 42	31 - 45	33 - 48	35 - 51	$\overline{PAE}2$
	40 - 52	43 - 56	46 - 60	49 - 64	52 - 68	$\overline{PAF}2$
	53 - 65	57 - 70	61 - 75	65 - 80	69 - 85	$\overline{PAE}1$
	66 - 78	71 - 84	76 - 90	81 - 96	86 - 102	$\overline{PAF}1$
	79 - 91	85 - 98	91 - 105	97 - 112	103 - 119	$\overline{PAE}0$
92 - 104	99 - 112	106 - 120	113 - 128	120 - 136	$\overline{PAF}0$	

6159 drw08

Figure 4. Offset Registers Serial Bit Sequence

is the full offset value. The default setting for these values are listed in Table 3. This parameter is also user programmable. See the section on serial writing and reading of offset registers for details.

When the Queue is full, the Full Flag (FF) will go LOW, inhibiting further write operations. If no reads are performed after a reset, FF will go LOW after D writes to the Queue. If the I/O bus width is configured to x40, then D = 8,192 writes for the IDT72T51248, 16,384 writes for the IDT72T51258, and 32,768 writes for the IDT72T51268. If the I/O is x20, then D = 16,384 writes for the IDT72T51248, 32,768 writes for the IDT72T51258, and 65,536 writes for the IDT72T51268. If the I/O is x10, then D = 32,768 writes for the IDT72T51248, 65,536 writes for the IDT72T51258, and 131,072 writes for the IDT72T51268.

If the Queue is full, the first read operation will cause FF to go HIGH after two clock cycles. Subsequent read operations will cause PAF to go HIGH at the conditions described in Table 3. If further read operations occur, without write operations, PAE will go LOW when there are n words in the Queue, where n is the empty offset value. Continuing read operations will cause the Queue to become empty. When the last word has been read from the Queue, the EF will go LOW inhibiting further read operations. REN is ignored when the Queue is empty.

When configured in IDT Standard mode, the EF and FF outputs are double register-buffered outputs. IDT Standard mode is available when the device is configured in both Single Data Rate and Double Data Rate mode. Relevant timing diagrams for IDT Standard mode can be found in Figure 12, *Write Cycle and Full Flag Timing (IDT Standard mode)*.

FIRST WORD FALL THROUGH MODE (FWFT)

In this mode, the status flags OR, IR, PAE, and PAF operate in the manner outlined in Table 4. To write data into to the Queue, WCS must be LOW. Data presented to the D[39:0] lines will be clocked into the Queue on subsequent transitions of WCLK. After the first write is performed, the Output Ready (OR) flag will go LOW. Subsequent writes will continue to fill up the Queue. PAE will go HIGH after n + 2 words have been loaded into the Queue, where n is the empty offset value. The default setting for these values are listed in Table 4. This parameter is also user programmable as described in the serial writing and reading of offset registers section.

Continuing to write data into the Queue without performing read operations will cause the Programmable Almost-Full flag (PAF) to go LOW. Again, if no reads are performed, the PAF will go LOW after (8,193-m) writes for the IDT72T51248, (16,385-m) writes for the IDT72T51258, and (32,769-m) writes for the IDT72T51268. This is assuming the I/O bus width is configured to x40. If the I/O is x20, then PAF will go LOW after (16,385-m) writes for the IDT72T51248, (32,769-m) writes for the IDT72T51258, and (65,537-m) writes for the IDT72T51268. If the I/O is x10, then PAF will go LOW after (32,769-m) writes for the IDT72T51248, (65,537-m) writes for the IDT72T51258, and (131,073-m) writes for the IDT72T51268. The offset "m" is the full offset value. The default setting for these values are listed in Table 4. This parameter is also user programmable. See the section on serial writing and reading of offset registers for details.

TABLE 3 — STATUS FLAGS FOR IDT STANDARD MODE

OW = x40	IDT72T51248	IDT72T51258	IDT72T51268						
OW = x20		IDT72T51248	IDT72T51258	IDT72T51268					
OW = x10			IDT72T51248	IDT72T51258	IDT72T51268	FF	PAF	PAE	EF
Number of Words in Queue	0	0	0	0	0	H	H	L	L
	1 to n ⁽¹⁾	1 to n ⁽¹⁾	1 to n ⁽¹⁾	1 to n ⁽¹⁾	1 to n ⁽¹⁾	H	H	L	H
	(8,192 - m) to 8,191	(16,384 - m) to 16,383	(32,768 - m) to 32,767	(65,536 - m) to 65,535	(131,072 - m) to 131,071	H	L	H	H
	8,192	16,384	32,768	65,536	131,072	L	L	H	H

NOTE:

1. n, m = 7 if FSEL[1:0] = 00, n, m = 63 if FSEL[1:0] = 01, n, m = 127 if FSEL[1:0] = 10, n, m = 1023 if FSEL[1:0] = 11.

TABLE 4 — STATUS FLAGS FOR FWFT MODE

OW = x40	IDT72T51248	IDT72T51258	IDT72T51268						
OW = x20		IDT72T51248	IDT72T51258	IDT72T51268					
OW = x10			IDT72T51248	IDT72T51258	IDT72T51268	FF	PAF	PAE	EF
Number of Words in Queue	0	0	0	0	0	H	H	L	L
	1 to n+1 ⁽¹⁾	1 to n+1 ⁽¹⁾	1 to n+1 ⁽¹⁾	1 to n+1 ⁽¹⁾	1 to n+1 ⁽¹⁾	H	H	L	H
	(8,193 - m) to 8,192	(16,385 - m) to 16,384	(32,769 - m) to 32,768	(65,537 - m) to 65,536	(131,073 - m) to 131,072	H	L	H	H
	8,193	16,385	32,769	65,537	131,073	L	L	H	H

NOTE:

1. n, m = 7 if FSEL[1:0] = 00, n, m = 63 if FSEL[1:0] = 01, n, m = 127 if FSEL[1:0] = 10, n, m = 1023 if FSEL[1:0] = 11.

6159 drw09

When the Queue is full, the Input Ready (\overline{IR}) will go LOW, inhibiting further write operations. If no reads are performed after a reset, \overline{IR} will go LOW after D writes to the Queue. If the I/O bus width is configured to x40, then D = 8,193 writes for the IDT72T51248, 16,385 writes for the IDT72T51258, and 32,769 writes for the IDT72T51268. If the I/O is x20, then D = 16,385 writes for the IDT72T51248, 32,769 writes for the IDT72T51258, and 65,537 writes for the IDT72T51268. If the I/O is x10, then D = 32,769 writes for the IDT72T51248, 65,537 writes for the IDT72T51258, and 131,073 writes for the IDT72T51268.

If the Queue is full, the first read operation will cause \overline{IR} to go HIGH after two clock cycles. Subsequent read operations will cause \overline{PAF} to go HIGH at the conditions described in Table 4. If further read operations occur, without write operations, \overline{PAE} will go LOW when there are n words in the Queue, where n is the empty offset value. Continuing read operations will cause the Queue to become empty. Then the last word has been read from the Queue, the \overline{OR} will go HIGH inhibiting further read operations. \overline{RCS} is ignored when the Queue is empty.

When configured in FWFT mode, the \overline{OR} flag output is triple register-buffered and the \overline{IR} flag output is double register-buffered. Relevant timing diagrams for FWFT mode can be found in Figure 16, *Write Timing in FWFT mode*.

HSTL/LVTTL I/O

The inputs and outputs of this device can be configured for either LVTTL or HSTL/eHSTL operation. If the IOSEL pin is HIGH during master reset, then all applicable LVTTL or HSTL signals will be configured for HSTL/eHSTL operating voltage levels. To select between HSTL or eHSTL VREF must be driven to 1/2 VREF. Typically a logic HIGH in HSTL would be VREF + 300mV and a logic LOW would be VREF - 300mV. If the IOSEL pin is LOW during master reset, then all applicable LVTTL or HSTL signals will be configured for LVTTL operating voltage levels. In this configuration VREF must be set to the static core voltage of 2.5V. Table 5 illustrates which pins are and are not associated with this feature. Note that all "Static Pins" must be tied to VCC or GND. These pins

are CMOS only and are purely device configuration pins. Note the IOSEL pin should be tied HIGH or LOW and cannot toggle before and after master reset.

BUS MATCHING

The write and read port has bus-matching capability such that the input and output bus can be either 10 bits, 20 bits or 40 bits wide. The bus width of both the input and output port is determined during master reset using the input and output width setup pins (IW[1:0], OW[1:0]). The selected port width is applied to all four Queue ports, such that all four Queues will be configured for either x10, x20 or x40 bus widths. When writing or reading data from a Queue the number of memory locations available to be written or read will depend on the bus width selected and the density of the device.

If the write/read port is 10 bits wide, this provides the user with a Queue depth of 32,768 x 10 for the IDT72T51248, 65,536 x 10 for the IDT72T51258, or 131,072 x 10 for the IDT72T51268. If the write/read port is 20 bits wide, this provides the user with a Queue depth of 16,384 x 20 for the IDT72T51248, 32,768 x 20 for the IDT72T51258, or 65,536 x 20 for the IDT72T51268. If the write/read port is 40 bits wide, this provides the user with a Queue depth of 8,192 x 40 for the IDT72T51248, 16,384 x 40 for the IDT72T51258, or 32,768 x 40 for the IDT72T51268. The Queue depths will always have a fixed density of 327,680 bits for the IDT72T51248, 655,360 bits for the IDT72T51258 and 1,310,720 bits for the IDT72T51268 regardless of bus-width configuration on the write/read port.

When the device is operating in double data rate, the word is twice as large as in single data rate since one word consists of both the rising and falling edge of clock. Therefore in DDR, the Queue depths will be half of what it is mentioned above. For instance, if the write/read port is 10 bits wide, the depth of each Queue is 16,384 x 10 for the IDT72T51248, 32,768 x 10 for the IDT72T51258, or 65,536 x 10 for the IDT72T51268.

See Figure 5, *Bus-Matching Byte Arrangement* for more information.

TABLE 5 — I/O VOLTAGE LEVEL CONFIGURATION

LVTTL/HSTL/eHSTL					STATIC CMOS SIGNALS
Write Port	Read Port	JTAG	Control Pins	Serial Port	Static Pins
D[39:0]	$\overline{CEF}/\overline{COR}$	TCK	FSEL[1:0]	SCLK	IOSEL
WCLK	$\overline{EF0}/1/2/3$	\overline{TRST}	IS[1:0]	\overline{SREN}	IW[1:0]
\overline{WEN}	$\overline{OR0}/1/2/3$	TMS	OS[1:0]	\overline{SWEN}	OW[1:0]
$\overline{FF0}/1/2/3$	ERCLK	TDI	\overline{PD}	FWFT/SI	RDDR
\overline{WCS}	\overline{OE}	TDO	\overline{MRS}	SDO	WDDR
$\overline{CFF}/\overline{CIR}$	$\overline{PAE0}/1/2/3$		\overline{PRS}		
$\overline{PAF0}/1/2/3$	Q[39:0]		FWFT/QI		
RCLK					
\overline{RCS}					
\overline{REN}					
\overline{EREN}					

BYTE ORDER ON INPUT PORT:

IS1	IS0	IW1	IW0
L	L	H	L

D39-D30



D29-D20



D19-D10



D9-D0



1st: Write to Queues

BYTE ORDER ON OUTPUT PORT:

OS1	OS0	OW1	OW0
L	L	L	L

Q39-Q30



Q29-Q20



Q19-Q10



Q9-Q0



1st: Read from Queues



2nd: Read from Queues



3rd: Read from Queues



4th: Read from Queues

x40 INPUT to x10 OUTPUT for Queue0

BYTE ORDER ON OUTPUT PORT:

OS1	OS0	OW1	OW0
L	L	L	H

Q39-Q30



Q29-Q20



Q19-Q10



Q9-Q0



1st: Read from Queues



2nd: Read from Queues

x40 INPUT to x20 OUTPUT for Queue0

BYTE ORDER ON OUTPUT PORT:

OS1	OS0	OW1	OW0
L	L	H	L

Q39-Q30



Q29-Q20



Q19-Q10



Q9-Q0



1st: Read from Queues

x40 INPUT to x40 OUTPUT for Queue0

NOTES:

= Outputs are High-Impedanced.

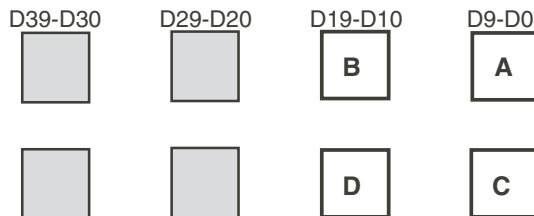
= Inputs set to GND.

6159 drw10

Figure 5. Bus-Matching Byte Arrangement

BYTE ORDER ON INPUT PORT:

IS1	IS0	IW1	IW0
L	H	L	H

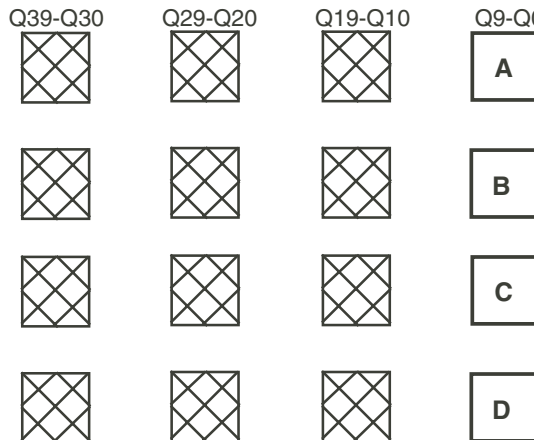


1st: Write to Queues

2nd: Write to Queues

BYTE ORDER ON OUTPUT PORT:

OS1	OS0	OW1	OW0
L	H	L	L



1st: Read from Queues

2nd: Read from Queues

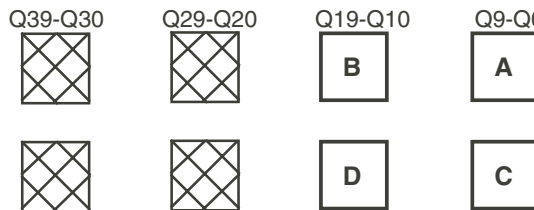
3rd: Read from Queues

4th: Read from Queues

x20 INPUT to x10 OUTPUT for Queue1

BYTE ORDER ON OUTPUT PORT:

OS1	OS0	OW1	OW0
L	H	L	H



1st: Read from Queues

2nd: Read from Queues

x20 INPUT to x20 OUTPUT for Queue1

BYTE ORDER ON OUTPUT PORT:

OS1	OS0	OW1	OW0
L	H	H	L




1st: Read from Queues

x20 INPUT to x40 OUTPUT for Queue1

6159 drw11

NOTES:

 = Outputs are High-Impedanced.

 = Inputs set to GND.

Figure 5. Bus-Matching Byte Arrangement (Continued)

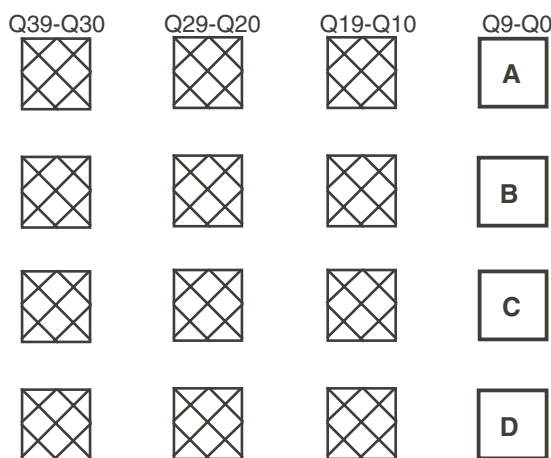
BYTE ORDER ON INPUT PORT:

IS1	IS0	IW1	IW0
H	L	L	L



BYTE ORDER ON OUTPUT PORT:

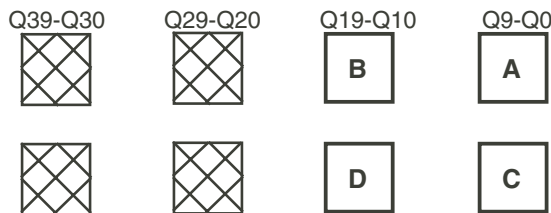
OS1	OS0	OW1	OW0
H	L	L	L



x10 INPUT to x10 OUTPUT for Queue2

BYTE ORDER ON OUTPUT PORT:

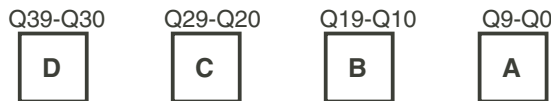
OS1	OS0	OW1	OW0
H	L	L	H



x10 INPUT to x20 OUTPUT for Queue2

BYTE ORDER ON OUTPUT PORT:

OS1	OS0	OW1	OW0
H	L	H	L



x10 INPUT to x40 OUTPUT for Queue2

6159 drw12

NOTES:

= Outputs are in High-Impedanced.

= Inputs are set to GND.

Figure 5. Bus-Matching Byte Arrangement (Continued)

WRITE PORT OPERATION

The input select pins (IS[1:0]) determine which one of the four Queues the input bus will write data into. The input select pins are sampled on the rising edge of every WCLK, and may change on every clock edge. There is no delay switching from one Queue to another. Note, there is a two-stage pipe-line on both the read and write data paths causing a two-cycle latency on each operation. Data can be written on each clock regardless of the queue selected. A write operation will not be physically written into the queue until the second clock. Provided data is written every clock, following the first two-cycle latency, data will reach the respective queue on every clock as well. Data will be written on the rising (and falling in DDR) edge of write clock provided WEN and WCS are active on the rising edge of the write clock. Note in double data rate the setup and hold times of the write enables and write chip selects are sampled with respect to the rising edge of its respective write clock only. The falling edge of WCLK does not sample the write enable and write chip select. When selecting a Queue for write operations the next word can be written to that Queue immediately on the next clock edge after the new Queue is selected. For example, if IS[1:0] is set to 01 (Queue1) on WCLK edge 0, then on WCLK edge 1 (next read clock edge) data can be written to Queue1 if WEN and WCS are enabled.

In FWFT mode the first word written to a selected Queue will automatically be placed onto the output bus regardless of the state of the corresponding REN, provided that the selected Queue was empty and its corresponding output ready flag was inactive. The data will take four clocks to reach the out-put taking into account the two-cycle write and two-cycle read pipeline. This occurs due to the nature of the FWFT flag timing. Subsequent writes to the Queue that is not empty will not fall through to the output bus providing RCS is LOW and RCLK toggles. In IDT Standard mode, every word, including the first word, must be accessed by the read enable and read chip select.

READ PORT OPERATION

The output select pins (OS[1:0]) determine which one of the four Queues the output bus will read data from. The output select pins are sampled on the rising edge of every RCLK, and may change on every clock edge. Note, there is a two-stage pipe-line on both the read and write data paths causing a two-cycle latency on each operation. Data can be read on each clock regardless of the queue selected. A read operation will not be physically presented to the data pins until the second clock. Provided data is read every clock, following the first two-cycle latency, data will reach the data bus on every clock as well. Data will be read on the rising (and falling in DDR) edge of read clock provided read enable and read chip select are active (LOW). When selecting a Queue for read operations the new word read from that Queue will be available immediately on the next clock edge after the new Queue is selected. For example, if OS[1:0] is set to 01 (Queue1) on RCLK edge 0, then on RCLK edge 1 (next read clock edge) data can be read from Queue1 if REN and RCS are enabled. Data is presented on the second RCLK.

In FWFT mode, the first word written to a selected Queue will automatically be placed onto the output bus of that respective Queue regardless of the state of the corresponding read enable, provided that the selected Queue was empty and its corresponding output ready flag was inactive. The data will take four clocks to reach the out-put taking into account the two-cycle write and two-cycle read pipeline. This occurs due to the nature of the FWFT flag timing. Subsequent writes to the Queue that is not empty will not fall through to the output bus. Note in FWFT mode, during a Queue selection the next word available in the Queue will automatically fall through to the output bus regardless of the read enable and read chip select.

In IDT Standard mode, every word including the first word must be accessed by the REN and RCS. Unlike FWFT mode, during a Queue selection the next word available in the Queue will not automatically fall through to the output bus. The previous word that was read out of the read port will remain on the output bus if the REN is HIGH and RCS is LOW, if RCS is HIGH the output will be HIGH-Z.

SIGNAL DESCRIPTIONS

INPUTS:

DATA INPUT BUS (D[39:0])

The data input bus can be 40, 20, or 10 bits wide. D[39:0] are data inputs for the 40-bit wide data bus, D[19:0] are data inputs for 20-bit wide data bus, and D[9:0] are data inputs for the 10-bit wide data bus.

MASTER RESET ($\overline{\text{MRS}}$)

There is a single master reset available for all internal Queues in this device. A master reset is accomplished whenever the $\overline{\text{MRS}}$ input is taken to a LOW state. This operation sets the internal read and write pointers of all Queues to the first location in memory. The programmable almost empty flag will go LOW and the almost full flags will go HIGH.

If FWFT/SI signal is LOW during master reset then IDT Standard mode is selected. This mode utilizes the empty and full status flags from the $\overline{\text{EF/OR}}$ and $\overline{\text{FF/IR}}$ dual-purpose pin. During master reset, all empty flags will be set to LOW and all full flags will be set to HIGH.

If FWFT/SI signal is HIGH during master reset, then the First Word Fall Through mode is selected. This mode utilizes the input read and output ready status flags from the $\overline{\text{EF/OR}}$ and $\overline{\text{FF/IR}}$ dual-purpose pin. During master reset, all input ready flags will be set to LOW and all output ready flags will be set to HIGH.

All device configuration pins such as OW[1:0], IW[1:0], IS[1:0], OS[1:0], WDDR, RDDR, IOSEL, FSEL[1:0] and FWFT/SI needs to be defined before the master reset cycle. During a master reset the output register is initialized to all zeros. If the output enable(s) are LOW during master reset, then the output bus will be LOW. If the output enable(s) are HIGH during master reset, then the output bus will be in High-impedance. $\overline{\text{RCS}}$ has no affect on the data outputs during master reset. If the output width OW[1:0] is configured to x10 or x20, then the unused outputs will be in high-impedance. A master reset is required after power up before a write operation to any Queue can take place. Master reset is an asynchronous signal and thus the read and write clocks can be free-running or idle during master reset. See Figure 10, *Master Reset Timing*, for the associated timing diagram.

PARTIAL RESET ($\overline{\text{PRS0/1/2/3}}$)

A partial reset is a means by which the user can reset both the read and write pointers of each individual Queue inside the device without changing the Queue's configuration. There are four dedicated partial reset signals that each correspond to an individual Queue. There are restrictions as to when partial reset can be performed in either operating modes.

During partial reset, the internal read and write pointers are set to the first location in memory, $\overline{\text{PAE}}$ goes LOW and $\overline{\text{PAF}}$ goes HIGH. Whichever timing mode was active at the time of Partial Reset will remain active after Partial Reset. If IDT Standard Mode is active, then $\overline{\text{FF}}$ will go HIGH and $\overline{\text{EF}}$ will go LOW. If the First Word Fall Through mode is active, then $\overline{\text{OR}}$ will go HIGH and $\overline{\text{IR}}$ will go LOW.

Following Partial Reset, all values held in the offset registers remain unchanged. The output registers are initialized to all zeros. All other configurations set up during master reset remain unchanged. $\overline{\text{PRS}}$ is an asynchronous signal. See Figure 11, *Partial Reset Timing*, for the associated timing diagram.

FIRST WORD FALL THROUGH/SERIAL IN (FWFT/SI)

This is a dual purpose pin. During Master Reset, the state of the FWFT/SI input determines whether the device will operate in IDT Standard mode or First Word Fall Through (FWFT) mode.

If FWFT/SI is LOW before the falling edge of master reset, then IDT Standard mode will be selected. This mode uses the Empty Flag ($\overline{\text{EF}}$) to indicate whether or not there are any words present in the Queues. It also uses the Full Flag function ($\overline{\text{FF}}$) to indicate whether or not the Queues has any free space for writing. In IDT Standard mode, every word read from the Queue, including the first, must be requested using the Read Enable ($\overline{\text{REN}}$), Read Chip Select ($\overline{\text{RCS}}$) and RCLK.

If FWFT/SI is HIGH before the falling edge of master reset, then FWFT mode will be selected. This mode uses Output Ready ($\overline{\text{OR}}$) to indicate whether or not there is valid data at the data outputs (On). It also uses Input Ready ($\overline{\text{IR}}$) to indicate whether or not the Queues have any free space for writing. In the FWFT mode, the first word written to an empty Queue goes directly to output On after three RCLK rising edges, provided that the first RCLK meets t_{SKEW} parameters. There will be a one RCLK cycle delay if t_{SKEW} is not met. $\overline{\text{REN}}$ and $\overline{\text{RCS}}$ do not need to be enabled. Subsequent words must be accessed using the $\overline{\text{REN}}$, $\overline{\text{RCS}}$, and RCLK. If $\overline{\text{RCS}}$ is HIGH, the output will be in high-impedance.

The state of the FWFT/SI input must be kept at the present state for the minimum of the reset recovery time (t_{RSR}) after master reset. After this time, the FWFT/SI acts as a serial input for loading PAE and PAF offsets into the programmable offset registers. The serial input is used in conjunction with SCLK, $\overline{\text{SWEN}}$, $\overline{\text{SREN}}$, and SDO to access the offset registers. Serial programming using the FWFT/SI pin functions the same way in both IDT Standard and FWFT modes.

WRITE CLOCK (WCLK)

The write clock is used to write data to each individual Queue within the device. A write cycle is initiated on the rising and/or falling edge of the WCLK input. If the write double data rate (WDDR) mode pin is tied HIGH during master reset, data will be written on both the rising and falling edge of WCLK, provided that $\overline{\text{WEN}}$ and $\overline{\text{WCS}}$ are enabled. If WDDR is tied LOW, data will be written only on the rising edge of WCLK provided that $\overline{\text{WEN}}$ and $\overline{\text{WCS}}$ are enabled.

Data setup and hold times must be met with respect to the LOW-to-HIGH (and HIGH-to-LOW in DDR) transition of the write clock(s). It is permissible to stop the write clock(s). Note that while the write clocks are idle, the $\overline{\text{FF/IR}}$ and $\overline{\text{PAF}}$ flags will not be updated.

WRITE ENABLE ($\overline{\text{WEN}}$)

The write enable controls whether or not data will be written into the selected Queue memory. When the write enable input is LOW on the rising edge of WCLK in single data rate, data is loaded on the rising edge of every WCLK cycle, provided the device is not full and the write chip select ($\overline{\text{WCS}}$) is enabled. The setup and hold times are referenced with respect to the rising edge of WCLK only. When the write enable input is LOW on the rising edge of WCLK in double data rate, data is loaded into the selected Queue on the rising and falling edge of every WCLK cycle, provided the device is not full and the write chip select ($\overline{\text{WCS}}$) is enabled. In this mode, the data setup and hold times are referenced with respect to the rising and falling edge of WCLK. Note that $\overline{\text{WEN}}$ and $\overline{\text{WCS}}$ are sampled only on the rising edge of WCLK in either data rate mode.

Data is stored in the Queues memory sequentially and independently of any ongoing read operation. When the write enable and write chip select are HIGH, no new data is written into the corresponding Queue on each WCLK cycle.

WRITE CHIP SELECT ($\overline{\text{WCS}}$)

The write chip selects disables the Write Port inputs if it is held HIGH. To perform normal write operations the write chip select must be enabled, held LOW.

When the write chip select is LOW on the rising edge of WCLK in single data rate, data is loaded on the rising edge of every WCLK cycle, provided the device is not full and the write enable ($\overline{\text{WEN}}$) is LOW. When the $\overline{\text{WCS}}$ is LOW

on the rising edge of WCLK, in double data rate, data is loaded into the selected Queue on the rising and falling edge of every WCLK cycle, provided the device is not full and the write enable (\overline{WEN}) is LOW.

When the write chip select is HIGH on the rising edge of WCLK in single data rate, the write port is disabled and no words are written on the rising edge of WCLK into the Queue, even if \overline{WEN} is LOW. If the write chip select is HIGH on the rising edge of WCLK in double data rate, the write port is also disabled and no words are written on the rising and falling edge of WCLK into the Queue, even if \overline{WEN} is LOW. Note that \overline{WCS} is sampled on the rising edge of WCLK only in either data rate mode.

WRITE DOUBLE DATA RATE (WDDR)

When the write double data rate (WDDR) pin is HIGH prior to master reset, the write port will be set to double data rate mode. In this mode, all write operations are based on the rising and falling edge of the write clocks, provided that write enables and write chip selects are LOW for the rising clock edges. In double data rate the write enable signals are sampled with respect to the rising edge of write clock only, and a word will be written on both the rising and falling edge of write clock regardless of whether or not write enable is active on the falling edge of write clock.

When WDDR is LOW, the write port will be set to single data rate mode. In this mode, all write operations are based on only the rising edge of the write clock, provided that \overline{WEN} and \overline{WCS} are LOW during the rising edge of write clock. This pin should be tied HIGH or LOW and cannot toggle before or after master reset.

READ CLOCK (RCLK)

The read clock is used to read data from each individual Queue within the device. A read cycle is initiated on the rising and/or falling edge of the RCLK input. If the read double data rate (RDDR) mode pin is tied HIGH at master reset, data will be read on both the rising and falling edge of RCLK, provided that \overline{REN} and \overline{RCS} are enabled. If RDDR is tied LOW at master reset, data will be read only on the rising edge of RCLK provided that \overline{REN} and \overline{RCS} are enabled.

There is an associated data access time (t_A) for the data to be read out of the Queues. It is permissible to stop the read clocks. Note that while the read clocks are idle, the $\overline{EF/OR}$ and PAE flags will not be updated.

READ ENABLE (\overline{REN})

The read enable controls whether or not data will be read out of the memory. When the read enable input is LOW on the rising edge of RCLK in single data rate, data will be read on the rising edge of every RCLK cycle, provided the device is not empty and the read chip select (\overline{RCS}) is enabled. The associated data access time (t_A) is referenced with respect to the rising edge of RCLK. When the read enable input is LOW on the rising edge of RCLK in double data rate, data will be read on the rising and falling edge of every RCLK cycle, provided the device is not empty and \overline{RCS} is enabled. In this mode, the data access times are referenced with respect to the rising and falling edges of RCLK. Note that \overline{REN} is sampled only on the rising edge of RCLK in either data rate mode.

Data is stored in the Queues sequentially and independently of any ongoing write operation. When the \overline{REN} and \overline{RCS} are HIGH, no new data is read on each RCLK cycle.

To prevent reading from an empty Queue in the IDT Standard mode, the empty flag of each Queue will go LOW, with respect to RCLK, when the total number of words in the Queue has been read out, thus inhibiting further read operations. Upon the completion of a valid write cycle, the empty flag will go HIGH with respect to RCLK, two cycles later, thus allowing another read to occur given that t_{SKW} between WCLK and RCLK is met.

READ CHIP SELECT (\overline{RCS})

The read chip select input provides synchronous control of the read port of the device. When the read chip select is held LOW, the next rising edge of the corresponding RCLK will enable the output bus. When the read chip select goes HIGH, the next rising edge of RCLK will send the output bus into high-impedance and prevent that RCLK from initiating a read, regardless of the state of \overline{REN} . During a master or partial Reset the read chip select input has no effect on the output bus, output enable (\overline{OE}) is the only input that provides high-impedance control of the output bus. If output enable is LOW, the data outputs will be active regardless of read chip select until the first rising edge of RCLK after a reset is complete. Afterwards if read chip select is HIGH the data outputs will go to high-impedance.

The read chip select input does not affect the updating of the flags. For example, when the first word is written to any/all empty Queues, the empty flags will still go from LOW to HIGH based on a rising edge of the RCLK, regardless of the state of the read chip select input. Also, when operating the Queue in FWFT mode the first word written to any/all empty Queues will still be clocked through to the output bus on the third rising edge of RCLK(s), regardless of the state of read chip select inputs, assuming that the t_{SKW} parameter is met. For this reason the user should pay extra attention to the read chip selects when a data word is written to any/all empty Queues in FWFT mode. If the read chip select input is HIGH when an empty Queue is written into, the first word will fall through to the output register but will not be available on the outputs because the bus is in high-impedance. The user must enable the read chip selects on the next rising edge of RCLK to access this first word. See Figure 28, *Echo Read Clock and Read Enable Operation (IDT Standard Mode)*. See Figure 29, *Echo RCLK and Echo Read Enable Operation (FWFT Mode)*.

READ DOUBLE DATA RATE (RDDR)

When the read double data rate (RDDR) pin tied HIGH, the read port will be set to double data rate mode sampled during master reset. In this mode, all read operations are based on the rising and falling edge of the read clocks, provided that read enables and read chip selects are LOW. In DDR mode the read enable signals are sampled with respect to the rising edge of read clock only, and a word will be read from both the rising and falling edge of read clock regardless of whether or not read enable and read chip select are active on the falling edge of read clock.

When RDDR is tied LOW during master reset, the read port will be set to single data rate mode. In this mode, all read operations are based on only the rising edge of the RCLK, provided that \overline{REN} and \overline{RCS} are LOW during the rising edge of read clock. This pin should be tied HIGH or LOW and cannot toggle before and after master reset.

OUTPUT ENABLE (\overline{OE})

The output enable controls whether the output bus will be in active or high-impedance state. When the output enable input is LOW, the output bus becomes active and drives the data currently in the output register. When the output enable input (\overline{OE}) is HIGH, the output bus goes into high-impedance. During master or partial reset the output enable is the only input that can place the output data bus into high-impedance. During reset the read chip select input has no effect on the output data bus.

I/O SELECT (IOSEL)

The inputs and outputs of this device can be configured for either LVTTTL or HSTL/eHSTL operation. If the IOSEL pin is HIGH during master reset, then all applicable LVTTTL or HSTL signals will be configured for HSTL/eHSTL operating voltage levels. To select between HSTL or eHSTL V_{REF} must be driven to $\frac{1}{2} V_{DDQ}$.

If the IOSEL pin is LOW during master reset, then all applicable LVTTTL or HSTL signals will be configured for LVTTTL operating voltage levels. In this configuration VDDQ should be set to the static core voltage of the 2.5V and VREF will be $\frac{1}{2}$ VDDQ.

This pin should be tied HIGH or LOW and cannot toggle before or after master reset. Please refer to Table 5 for a list of applicable LVTTTL/HSTL/eHSTL signals.

POWER DOWN (\overline{PD})

This device has a power down feature intended for reducing power consumption for HSTL/eHSTL configured inputs when the device is idle for a long period of time. By entering the power down state certain inputs can be disabled, thereby significantly reducing the power consumption of the part. All \overline{WEN} and \overline{REN} signals must be disabled for a minimum of four WCLK and RCLK cycles before activating the power down signal. The power down signal is asynchronous and needs to be held LOW throughout the desired power down time. During power down, the following conditions for the inputs/outputs signals are:

- All data in Queue(s) are retained.
- All data inputs become inactive.
- All write and read pointers maintain their last value before power down.
- All enables, chip selects, and clock input pins become inactive.
- All data outputs become inactive and enter high-impedance state.
- All flag outputs will maintain their current states before power down.
- All programmable flag offsets maintain their values.
- All Echo clock and enable will become inactive and enter high-impedance state.
- The serial programming and JTAG port will become inactive and enter high-impedance state.
- All setup and configuration CMOS static inputs are not affected, as these pins are tied to a known value and do not toggle during operation.

All internal counters, registers, and flags will remain unchanged and maintain their current state prior to power down. Clock inputs can be continuous and free-running during power down, but will have no effect on the part. However, it is recommended that the clock inputs be low when the power down is active. To exit power down state and resume normal operations, disable the power down signal by bringing it HIGH. There must be a minimum of 1 μ s waiting period before read and write operations can resume. The device will continue from where it had stopped, no form of reset is required after exiting power down state. The power down feature does not provide any power savings when the inputs are

configured for LVTTTL operation. However, it will reduce the current for I/Os that are not tied directly to VCC or GND. See Figure 35, *Power Down Operation*, for the associated timing diagram.

SERIAL CLOCK (SCLK)

The serial clock is used to load data to, and read data from, the programmable offset registers. Data from the serial input signal (FWFT/SI) can be loaded into the offset registers on the rising edge of SCLK provided that the serial write enable (\overline{SWEN}) signal is LOW. Data can be read from the offset registers via the serial data output (SDO) signal on the rising edge of SCLK provided that \overline{SREN} is LOW. The serial clock can operate at a maximum frequency of 10MHz. The read operation is non-destructive. The write operation will change registers on each rising edge of SCLK.

SERIAL WRITE ENABLE (\overline{SWEN})

The serial write enable input is an enable used for serial programming of the programmable offset registers. It is used in conjunction with the serial input (FWFT/SI) and serial clock (SCLK) when programming the offset registers. When the serial write enable is LOW, data at the serial input is loaded into the offset register, one bit for each LOW-to-HIGH transition of SCLK. When serial write enable is HIGH, the offset registers retain the previous settings and no offsets are loaded. Serial write enable functions the same way in both IDT Standard and FWFT modes. Each bit that is loaded into the offset register is serially shifted through the register so each rising edge of SCLK will change the value of the offsets.

SERIAL READ ENABLE (\overline{SREN})

The serial read enable input is an enable used for reading the value of the programmable offset registers. It is used in conjunction with the serial data output (SDO) and serial clock (SCLK) when reading the offset registers. When the serial read enable is LOW, data at the serial data output can be read from the offset register, one bit for each LOW-to-HIGH transition of SCLK. When serial read enable is HIGH, the reading of the offset registers will stop. Whenever serial read enable (\overline{SREN}) is activated values in the offset registers are read starting from the first location in the offset registers. On a HIGH to LOW transition, the \overline{SREN} copies the values in the offset registers directly into a serial scan out register. \overline{SREN} must be kept LOW in order to read the entire contents of the offset register. If at any point \overline{SREN} is toggled from HIGH to LOW, another copy function from the offset register to the serial scan out register will occur. Serial read enable functions the same way in both IDT Standard and FWFT modes.

OUTPUTS

DATA OUTPUT BUS (Q[39:0])

The data output bus can be 40, 20, or 10 bits wide. Q[39:0] are data outputs for the 40-bit wide data bus, Q[19:0] are data outputs for 20-bit wide data bus, and Q[9:0] are data outputs for the 10-bit wide data bus. In FWFT mode, when switching from one Queue to another, the data of the newly selected Queue will always be present on the output bus immediately, two rising RCLK edges after OS[1:0] is selected regardless of whether or not read enable and read chip select are active.

EMPTY/OUTPUT READY FLAG ($\overline{EF}/\overline{OR}0/1/2/3$)

There are four empty/output ready flags available in this device, each corresponding to the individual Queues in memory. This is a dual-purpose pin that is determined based on the state of the FWFT/SI pin during master reset for selecting one of the, two timing modes of this device. In the IDT Standard mode, the empty flags are selected. When an individual Queue is empty, its empty flag will go LOW, inhibiting further read operations from that Queue. When the empty flag is HIGH, the individual Queue is not empty and valid read operations can be applied. See Figure 18, *Read Cycle, Empty Flag and First Word Latency Timing (IDT Standard Mode)*, for the relevant timing information. Also see Table 3 "Status Flags for IDT Standard Mode" for the truth table of the empty flags.

In FWFT mode, the output ready flags are selected. Output ready flags (\overline{OR}) go LOW at the same time that the first word written to an empty Queue appears on the outputs, which is a minimum of three read clock cycles provided the RCLK and WCLK meets the ts_{KEW} parameter. \overline{OR} stays LOW after the RCLK LOW-to-HIGH transitions that shifts the last word from the Queue to the outputs. \overline{OR} goes HIGH when an enabled read operation is performed from an empty queue. The previous data stays on the outputs, indicating the last word was read. Further data reads are inhibited until a new word is on the bus when \overline{OR} goes LOW again. See Figure 22, *Read Timing at Full Boundary (FWFT Mode)*, for the relevant timing information. Also see Table 4 "Status Flags for FWFT Mode" for the truth table of the empty flags.

The empty/output ready flags are synchronous and updated on the rising edge of RCLK. In IDT Standard mode, the flags are double register-buffered outputs. In FWFT mode, the flag is triple register-buffered outputs. The four empty flags operate independent of one another and always indicate the respective Queue's status.

COMPOSITE EMPTY/OUTPUT READY FLAG ($\overline{CEF}/\overline{COR}$)

This status pin is used to determine the empty state of the current Queue selected. The composite empty/output ready flag represents the state of the Queue selected on the read port, such that the user does not have to monitor each individual Queues' empty/output ready flags.

The timing of the composite empty/output ready flag differs in IDT Standard and FWFT modes. In IDT Standard mode, when switching from one Queue to another, the composite empty flag will update to the status of the newly selected Queue one RCLK cycle after the rising edge of RCLK that made the new Queue selection. In FWFT mode, the composite output ready flag will update to the status of the newly selected Queue on two clock cycles after the rising edge of RCLK that made the new Queue selection. See Figure 23, *Composite Empty Flag (IDT Standard mode)*, for the associated timing diagram. See Table 3 and 4 "Status Flags for IDT Standard and FWFT Mode" for the truth table of the composite empty flag.

FULL/INPUT READY FLAG ($\overline{FF}/\overline{IR}0/1/2/3$)

There are four full/input ready flags available in this device, each corresponding to the individual Queues in memory. This is a dual-purpose pin that is determined

based on the state of the FWFT/SI pin during master reset for selecting the two timing modes of this device. In the IDT Standard mode, the full flags are selected. When an individual Queue is full, its full flags will go LOW after the rising edge of WCLK that wrote the last word, thus inhibiting further write operations to the Queue. When the full flag is HIGH, the individual Queue is not full and valid write operations can be applied. See Figure 12, *Write Cycle, Full Flag Timing (IDT Standard Mode)*, for the associated timing diagram. Also see Table 3 "Status Flags for IDT Standard Mode" for the truth table of the full flags.

In FWFT mode, the input ready flags are selected. Input ready flags go LOW when there is adequate memory space in the Queues for writing in data. The input ready flags go HIGH after the rising edge of WCLK that wrote the last word, when there are no free spaces available for writing in data. See Figure 16, *Write Timing (FWFT Mode)*, for the associated timing information. Also see Table 4 "Status Flags for FWFT Mode" for the truth table of the full flags. The input ready status not only measures the contents of the Queues, but also counts the presence of a word in the output register. Thus, in FWFT mode, the total number of writes necessary to make \overline{IR} HIGH is one greater than needed to set the \overline{FF} (LOW) in IDT Standard mode.

$\overline{FF}/\overline{IR}$ is synchronous and updated on the rising edge of WCLK. $\overline{FF}/\overline{IR}$ are double register-buffered outputs. The four full flags operate independent of one another.

To prevent data overflow in the IDT Standard mode, the full flag of each Queue will go LOW with respect to WCLK, when the maximum number of words has been written into the Queue, thus inhibiting further write operations. Upon the completion of a valid read cycle, the full flag will go HIGH with respect to WCLK two cycles later, thus allowing another write to occur assuming ts_{KEW} has been met.

To prevent data overflow in the FWFT mode, the input ready flag of each Queue will go HIGH with respect to WCLK, when the maximum number of words has been written into the Queue, thus inhibiting further write operations. Upon the completion of a valid read cycle, the input ready flag will go LOW with respect to WCLK two cycles later, thus allowing another write to occur assuming ts_{KEW} has been met.

COMPOSITE FULL/INPUT READY FLAG ($\overline{CFF}/\overline{CIR}$)

This status pin is used to determine the full state of the current Queue selected. The composite full/input ready flag represents the state of the Queue selected on the write port, such that the user does not have to monitor each individual Queues' full/input ready flag. When switching from one Queue to another, the composite full/input ready flag will update to the status of the newly selected Queue one WCLK cycle after the rising edge of WCLK that made the new Queue selection, regardless of which timing mode the device is operating in. See Figure 25, *Composite Full Flag (IDT Standard mode)*, for the relevant associated timing diagram. See Table 3 and 4 "Status Flags for IDT Standard and FWFT Mode" for the truth table of the composite full flag.

PROGRAMMABLE ALMOST EMPTY FLAG ($\overline{PAE}0/1/2/3$)

There are four programmable almost empty flags available in this device, each corresponding to the individual Queues in memory. The programmable almost empty flag is an additional status flag that notifies the user when the Queue is near empty. The user may utilize this feature as an early indicator as to when the Queue will become empty. In IDT Standard mode, \overline{PAE} will go LOW when there are n words or less in the Queue. In FWFT mode, the \overline{PAE} will go LOW when there are n-1 words or less in the Queue. The offset "n" is the empty offset value. The default setting for this value is stated in Table 2. Since there are four internal Queues hence four \overline{PAE} offset values, n0, n1, n2, and n3.

The four programmable almost empty flags operate independent of one another.

PROGRAMMABLE ALMOST FULL FLAG ($\overline{\text{PAF}}_{0/1/2/3}$)

There are four programmable almost full flags available in this device, each corresponding to the individual Queues in memory. The programmable almost full flag is an additional status flag that notifies the user when the Queue is nearly full. The user may utilize this feature as an early indicator as to when the Queue will not be able to accept any more data and thus prevent data from being dropped. In IDT Standard mode, if no reads are performed after master reset, $\overline{\text{PAF}}$ will go LOW after (D-m) (D meaning the density of the particular device) words are written to the Queue. In FWF T mode, $\overline{\text{PAF}}$ will go LOW after (D+1-m) words are written to the Queue. The offset “m” is the full offset value. The default setting for this value is stated in Table 2. Since there are four internal Queues hence four $\overline{\text{PAF}}$ offset values, m0, m1, m2, and m3.

The four programmable almost full flags operate independent of one another.

TABLE 6 — Tskew MEASUREMENT

Data Port Configuration	Status Flags	Tskew Measurement	Datasheet Parameter
DDR Input to DDR Output	$\overline{\text{EF}}/\overline{\text{OR}}$	Negative Edge WCLK to Positive Edge RCLK	tSKEW2
	$\overline{\text{FF}}/\overline{\text{IR}}$	Negative Edge RCLK to Positive Edge WCLK	tSKEW2
	$\overline{\text{PAE}}$	Negative Edge WCLK to Positive Edge RCLK	tSKEW3
	$\overline{\text{PAF}}$	Negative Edge RCLK to Positive Edge WCLK	tSKEW3
DDR Input to SDR Output	$\overline{\text{EF}}/\overline{\text{OR}}$	Negative Edge WCLK to Positive Edge RCLK	tSKEW2
	$\overline{\text{FF}}/\overline{\text{IR}}$	Positive Edge RCLK to Positive Edge WCLK	tSKEW1
	$\overline{\text{PAE}}$	Negative Edge WCLK to Positive Edge RCLK	tSKEW3
	$\overline{\text{PAF}}$	Positive Edge RCLK to Positive Edge WCLK	tSKEW3
SDR Input to DDR Output	$\overline{\text{EF}}/\overline{\text{OR}}$	Positive Edge WCLK to Positive Edge RCLK	tSKEW1
	$\overline{\text{FF}}/\overline{\text{IR}}$	Negative Edge RCLK to Positive Edge WCLK	tSKEW2
	$\overline{\text{PAE}}$	Positive Edge WCLK to Positive Edge RCLK	tSKEW3
	$\overline{\text{PAF}}$	Negative Edge RCLK to Positive Edge WCLK	tSKEW3
SDR Input to SDR Output	$\overline{\text{EF}}/\overline{\text{OR}}$	Positive Edge WCLK to Positive Edge RCLK	tSKEW1
	$\overline{\text{FF}}/\overline{\text{IR}}$	Positive Edge RCLK to Positive Edge WCLK	tSKEW1
	$\overline{\text{PAE}}$	Positive Edge WCLK to Positive Edge RCLK	tSKEW3
	$\overline{\text{PAF}}$	Positive Edge RCLK to Positive Edge WCLK	tSKEW3

ECHO READ CLOCK (ERCLK)

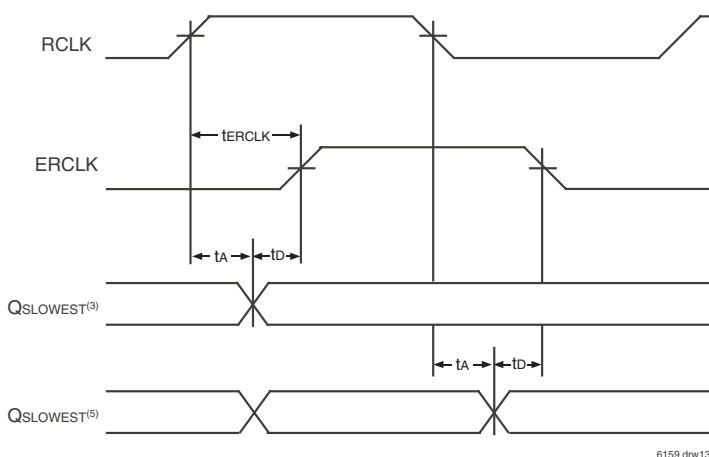
The echo read clock is a free-running clock output, that will always follow the RCLK input regardless of the read enables and read chip selects. The ERCLK output follows the RCLK input with an associated delay. This delay provides the user with a more effective read clock source when reading data from the output bus. This is especially helpful at high speeds when variables within the device may cause changes in the data access times. These variations in access time may be caused by ambient temperature, supply voltage, or device characteristics.

Any variations effecting the data access time will also have a corresponding effect on the echo read clock output produced by the device, therefore the echo read clock output level transitions should always be at the same position in time relative to the data outputs. Note, that echo read clock is guaranteed by design to be slower than the slowest data outputs. Refer to Figure 6, *Echo Read Clock*

and *Data Output Relationship*, Figure 28, *Echo Read Clock and Read Enable Operation in Double Data Rate Mode* and Figure 29, *Echo RCLK and Echo REN Operation* for timing information.

ECHO READ ENABLE ($\overline{\text{EREN}}$)

The echo read enable output is provided to be used in conjunction with the echo read clock and provides the device receiving data from the Queue with a more effective scheme for reading the Queues' data. The echo read enable output is controlled by internal logic that becomes active for the read clock cycle that a new word is read out of the Queue. That is, a rising edge of read clock will cause echo read enable to go LOW, if both read enable and read chip select are active and the Queue is not empty. In other words, every cycle samples the output bus and drives $\overline{\text{EREN}}$ output to the correct value.



NOTES:

1. $\overline{\text{REN}}$ and $\overline{\text{RCS}}$ are LOW. $\overline{\text{OE}}$ is LOW.
2. $t_{\text{ERCLK}} > t_{\text{A}}$, guaranteed by design.
3. Qslowest is the data output with the slowest access time, t_A. In SDR mode.
4. Time, t_D is greater than zero, guaranteed by design.
5. Qslowest is the data output with the slowest access time, t_A. In DDR mode.

Figure 6. Echo Read Clock and Data Output Relationship

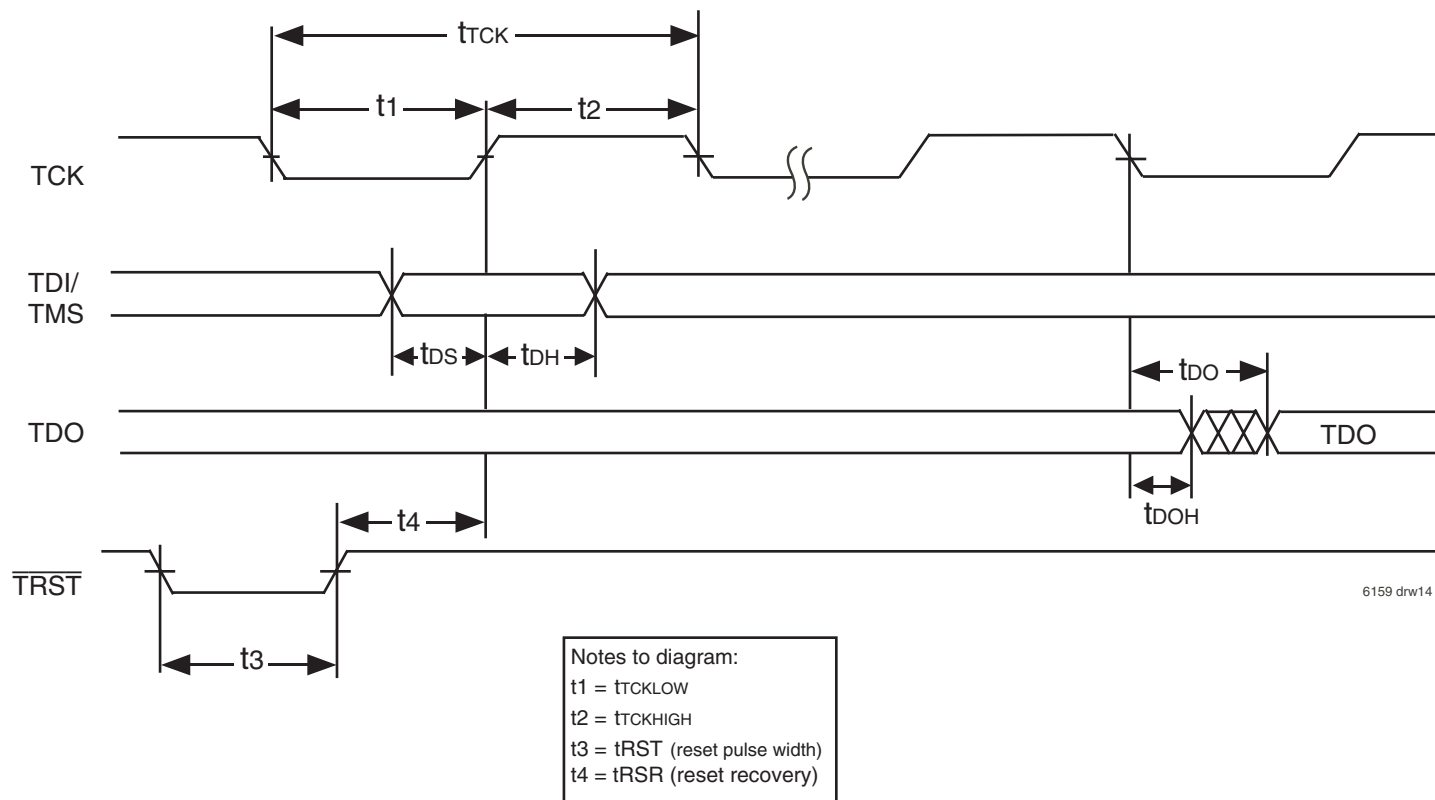


Figure 7. Standard JTAG Timing

SYSTEM INTERFACE PARAMETERS

Parameter	Symbol	Test Conditions	IDT72T51248 IDT72T51258 IDT72T51268		
			Min.	Max.	Units
Data Output	$t_{DO}^{(1)}$		-	20	ns
Data Output Hold	$t_{DOH}^{(1)}$		0	-	ns
Data Input	t_{DS}	$t_{rise}=3ns$	10	-	ns
	t_{DH}	$t_{fall}=3ns$	10	-	ns

NOTE:
 1. 50pf loading on external output signals.

JTAG AC ELECTRICAL CHARACTERISTICS

($V_{CC} = 2.5V \pm 5\%$; $T_{ambient}$ (Industrial) = $0^{\circ}C$ to $+85^{\circ}C$)

Parameter	Symbol	Test Conditions	Min.	Max.	Units
JTAG Clock Input Period	t_{TCK}	-	100	-	ns
JTAG Clock HIGH	$t_{TCKHIGH}$	-	40	-	ns
JTAG Clock Low	t_{TCKLOW}	-	40	-	ns
JTAG Reset	t_{RST}	-	50	-	ns
JTAG Reset Recovery	t_{RSR}	-	50	-	ns

JTAG TIMING SPECIFICATIONS (IEEE 1149.1 COMPLIANT)

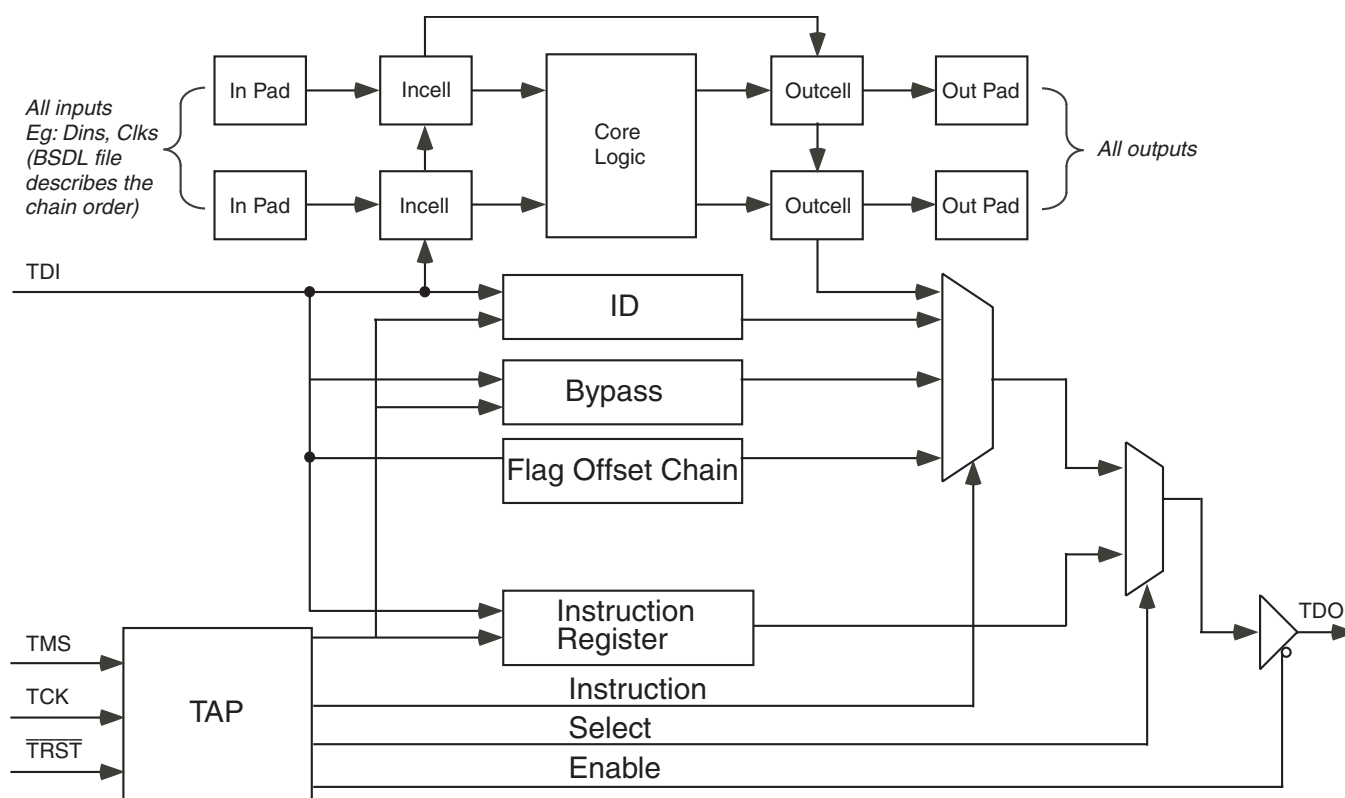
The JTAG test port in this device is fully compliant with the IEEE Standard Test Access Port (IEEE 1149.1) specifications. Five additional pins (TDI, TDO, TMS, TCK and TRST) are provided to support the JTAG boundary scan interface. Note that IDT provides appropriate Boundary Scan Description Language program files for these devices.

The Standard JTAG interface consists of seven basic elements:

- Test Access Port (TAP)
- TAP controller
- Instruction Register (IR)
- Data Register Port (DR)
- Bypass Register (BYR)
- ID Code Register
- Flag Programming

The following sections provide a brief description of each element. For a complete description refer to the IEEE Standard Test Access Port Specification (IEEE Std. 1149.1-1990).

The Figure below shows the standard Boundary-Scan Architecture



6159 drw15

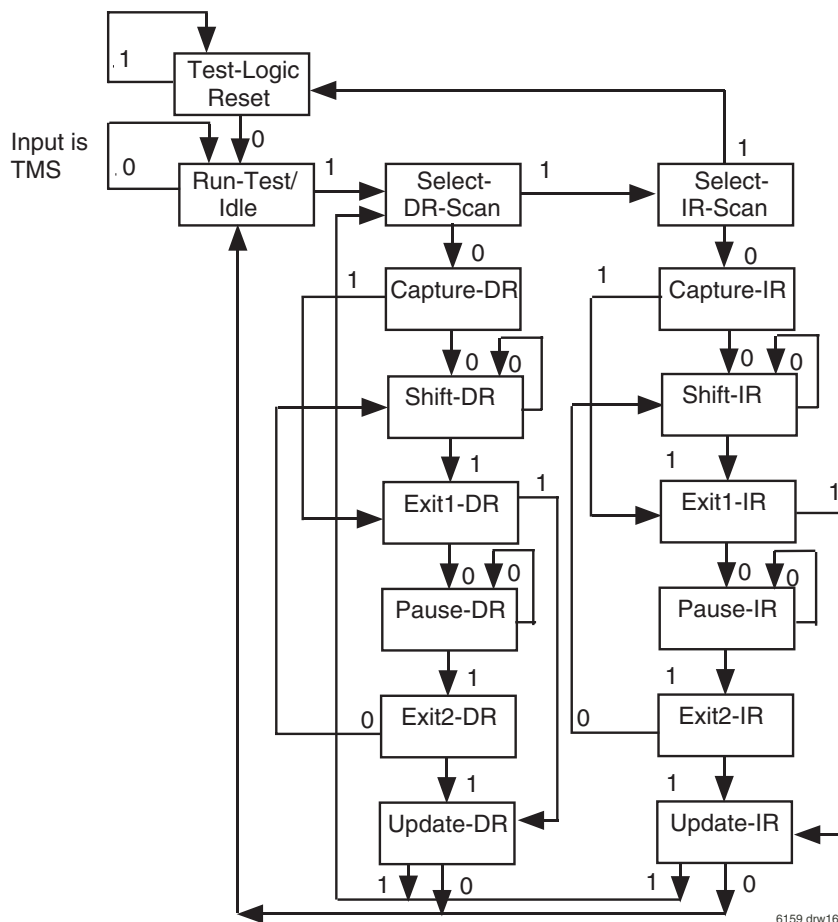
Figure 8. JTAG Architecture

TEST ACCESS PORT (TAP)

The TAP interface is a general-purpose port that provides access to the internal JTAG state machine. It consists of four input ports (TCLK, TMS, TDI, TRST) and one output port (TDO).

THE TAP CONTROLLER

The TAP controller is a synchronous finite state machine that responds to TMS and TCLK signals to generate clock and control signals to the Instruction and Data Registers for capture and updating of data passed through the TDI serial input.



NOTES:

1. Five consecutive TCK cycles with TMS = 1 will reset the TAP.
2. TAP controller automatically resets upon power-up.
3. TAP controller must be reset before normal Queue operations can begin.

Figure 9. TAP Controller State Diagram

Refer to the IEEE Standard Test Access Port Specification (IEEE Std. 1149.1) for the full state diagram

All state transitions within the TAP controller occur at the rising edge of the TCLK pulse. The TMS signal level (0 or 1) determines the state progression that occurs on each TCLK rising edge. The TAP controller takes precedence over the Queue operation and must be reset after power up of the device. See TRST description for more details on TAP controller reset.

Test-Logic-Reset All test logic is disabled in this controller state enabling the normal operation of the IC. The TAP controller state machine is designed in such a way that, no matter what the initial state of the controller is, the Test-Logic-Reset state can be entered by holding TMS at high and pulsing TCK five times. This is the reason why the Test Reset (TRST) pin is optional.

Run-Test-Idle In this controller state, the test logic in the IC is active only if certain instructions are present. For example, if an instruction activates the self test, then it will be executed when the controller enters this state. The test logic in the IC is idle otherwise.

Select-DR-Scan This is a controller state where the decision to enter the Data Path or the Select-IR-Scan state is made.

Select-IR-Scan This is a controller state where the decision to enter the Instruction Path is made. The Controller can return to the Test-Logic-Reset state other wise.

Capture-IR In this controller state, the shift register bank in the Instruction Register parallel loads a pattern of fixed values on the rising edge of TCK. The last two significant bits are always required to be "01".

Shift-IR In this controller state, the instruction register gets connected between TDI and TDO, and the captured pattern gets shifted on each rising edge of TCK. The instruction available on the TDI pin is also shifted in to the instruction register. TDO changes on the falling edge of TCK.

Exit1-IR This is a controller state where a decision to enter either the Pause-IR state or Update-IR state is made.

Pause-IR This state is provided in order to allow the shifting of instruction register to be temporarily halted.

Exit2-DR This is a controller state where a decision to enter either the Shift-IR state or Update-IR state is made.

Update-IR In this controller state, the instruction in the instruction register scan chain is latched in to the register of the Instruction Register on every falling edge of TCK. This instruction also becomes the current instruction once it is latched.

Capture-DR In this controller state, the data is parallel loaded in to the data registers selected by the current instruction on the rising edge of TCK.

Shift-DR, Exit1-DR, Pause-DR, Exit2-DR and Update-DR These controller states are similar to the Shift-IR, Exit1-IR, Pause-IR, Exit2-IR and Update-IR states in the Instruction path.

THE INSTRUCTION REGISTER

The instruction register (IR) is eight bits long and tells the device what instruction is to be executed. Information contained in the instruction includes the mode of operation (either normal mode, in which the device performs its normal logic function, or test mode, in which the normal logic function is inhibited or altered), the test operation to be performed, which of the four data registers is to be selected for inclusion in the scan path during data-register scans, and the source of data to be captured into the selected data register during Capture-DR.

TEST DATA REGISTER

The Test Data register contains three test data registers: the Bypass, the Boundary Scan register and Device ID register.

These registers are connected in parallel between a common serial input and a common serial data output.

The following sections provide a brief description of each element. For a complete description, refer to the IEEE Standard Test Access Port Specification (IEEE Std. 1149.1-1990).

TEST BYPASS REGISTER

The register is used to allow test data to flow through the device from TDI to TDO. It contains a single stage shift register for a minimum length in the serial path. When the bypass register is selected by an instruction, the shift register stage is set to a logic zero on the rising edge of TCLK when the TAP controller is in the Capture-DR state.

The operation of the bypass register should not have any effect on the operation of the device in response to the BYPASS instruction.

THE BOUNDARY-SCAN REGISTER

The boundary-scan register (BSR) is 48 bits long. It contains one boundary-scan cell (BSC) for each normal-function input pin and one BSC for each normal-function I/O pin (one single cell for both input data and output data). The BSR is used 1) to store test data that is to be applied externally to the device output pins, and/or 2) to capture data that appears internally at the outputs of the normal on-chip logic and/or externally at the device input pins.

THE DEVICE IDENTIFICATION REGISTER

The Device Identification Register is a Read Only 32-bit register used to specify the manufacturer, part number and version of the device to be determined through the TAP in response to the IDCODE instruction.

IDT JEDEC ID number is 0xB3. This translates to 0x33 when the parity is dropped in the 11-bit Manufacturer ID field.

For the IDT72T51248/72T51258/72T51268, the Part Number field contains the following values:

Device	Part# Field
IDT72T51248	04C1 (hex)
IDT72T51258	04C2 (hex)
IDT72T51268	04C3 (hex)

31(MSB)	28 27	12 11	1 0(LSB)
Version (4 bits)	Part Number (16-bit)	Manufacturer ID (11-bit)	1
0000		0033 (hex)	

IDT72T51248/258/268 JTAG Device Identification Register

JTAG INSTRUCTION REGISTER

The Instruction register allows an instruction to be serially input into the device when the TAP controller is in the Shift-IR state. The instruction is decoded to perform the following:

- Select test data registers that may operate while the instruction is current. The other test data registers should not interfere with chip operation and the selected data register.
- Define the serial test data register path that is used to shift data between TDI and TDO during data register scanning.

The Instruction Register is a 4 bit field (i.e. IR3, IR2, IR1, IR0) to decode 16 different possible instructions. Instructions are decoded as follows.

Hex Value	Instruction	Function
0000	EXTEST	Test external pins
0001	SAMPLE/PRELOAD	Select boundary scan register
0002	IDCODE	Selects chip identification register
0003	CLAMP	Fix the output chains to scan chain values
0004	HIGH-IMPEDANCE	Puts all outputs in high-impedance state
0007	OFFSET READ	Read PAE/PAF offset register values
0008	OFFSET WRITE	Write PAE/PAF offset register values
000F	BYPASS	Select bypass register
	Private	Several combinations are private (for IDT internal use). Do not use codes other than those identified above.

JTAG Instruction Register Decoding

The following sections provide a brief description of each instruction. For a complete description refer to the IEEE Standard Test Access Port Specification (IEEE Std. 1149.1-1990).

EXTEST

The required EXTEST instruction places the device into an external boundary-test mode and selects the boundary-scan register to be connected between TDI and TDO. During this instruction, the boundary-scan register is accessed to drive test data off-chip via the boundary outputs and receive test data off-chip via the boundary inputs. As such, the EXTEST instruction is the workhorse of IEEE. Std 1149.1, providing for probe-less testing of solder-joint opens/shorts and of logic cluster function.

SAMPLE/PRELOAD

The required SAMPLE/PRELOAD instruction allows the device to remain in a normal functional mode and selects the boundary-scan register to be connected between TDI and TDO. During this instruction, the boundary-scan register can be accessed via a data scan operation, to take a sample of the functional data entering and leaving the device. This instruction is also used to preload test data into the boundary-scan register before loading an EXTEST instruction.

IDCODE

The optional IDCODE instruction allows the device to remain in its functional mode and selects the optional device identification register to be connected between TDI and TDO. The device identification register is a 32-bit shift register containing information regarding the device manufacturer, device type, and version code. Accessing the device identification register does not interfere with the operation of the device. Also, access to the device identification register should be immediately available, via a TAP data-scan operation, after power-up of the device or after the TAP has been reset using the optional TRST pin or by otherwise moving to the Test-Logic-Reset state.

CLAMP

The optional CLAMP instruction sets the outputs of an device to logic levels determined by the contents of the boundary-scan register and selects the one-bit bypass register to be connected between TDI and TDO. Before loading this instruction, the contents of the boundary-scan register can be preset with the SAMPLE/PRELOAD instruction. During this instruction, data can be shifted through the bypass register from TDI to TDO without affecting the condition of the outputs.

HIGH-IMPEDANCE

The optional High-Impedance instruction sets all outputs (including two-state as well as three-state types) of an device to a disabled (high-impedance) state and selects the one-bit bypass register to be connected between TDI and TDO. During this instruction, data can be shifted through the bypass register from TDI to TDO without affecting the condition of the device outputs.

OFFSET READ

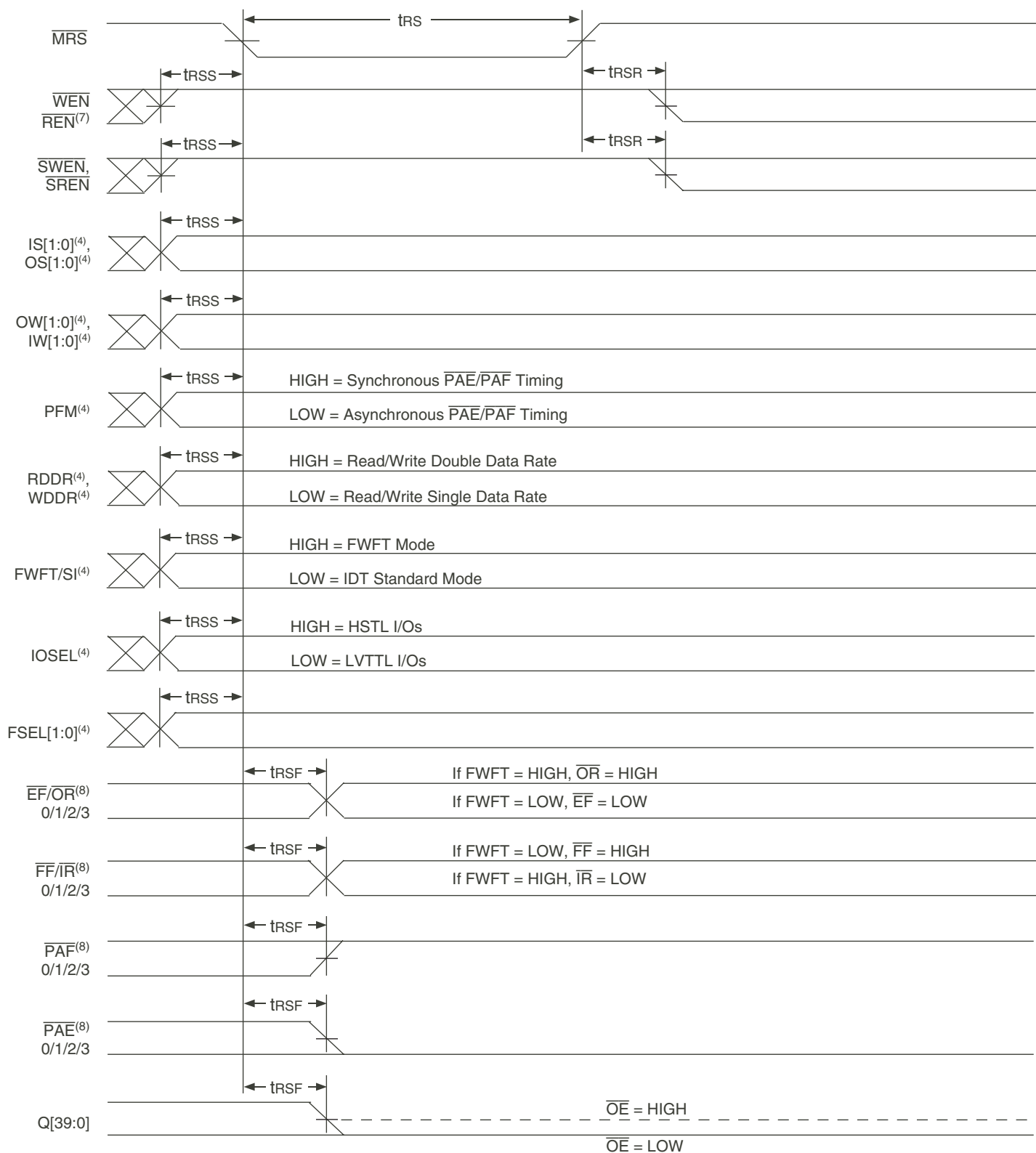
This instruction is an alternative to serial reading the offset registers for the PAE/PAF flags. When reading the offset registers through this instruction, the dedicated serial programming signals must be disabled.

OFFSET WRITE

This instruction is an alternative to serial programming the offset registers for the PAE/PAF flags. When writing the offset registers through this instruction, the dedicated serial programming signals must be disabled.

BYPASS

The required BYPASS instruction allows the device to remain in a normal functional mode and selects the one-bit bypass register to be connected between TDI and TDO. The BYPASS instruction allows serial data to be transferred through the IC from TDI to TDO without affecting the operation of the device.

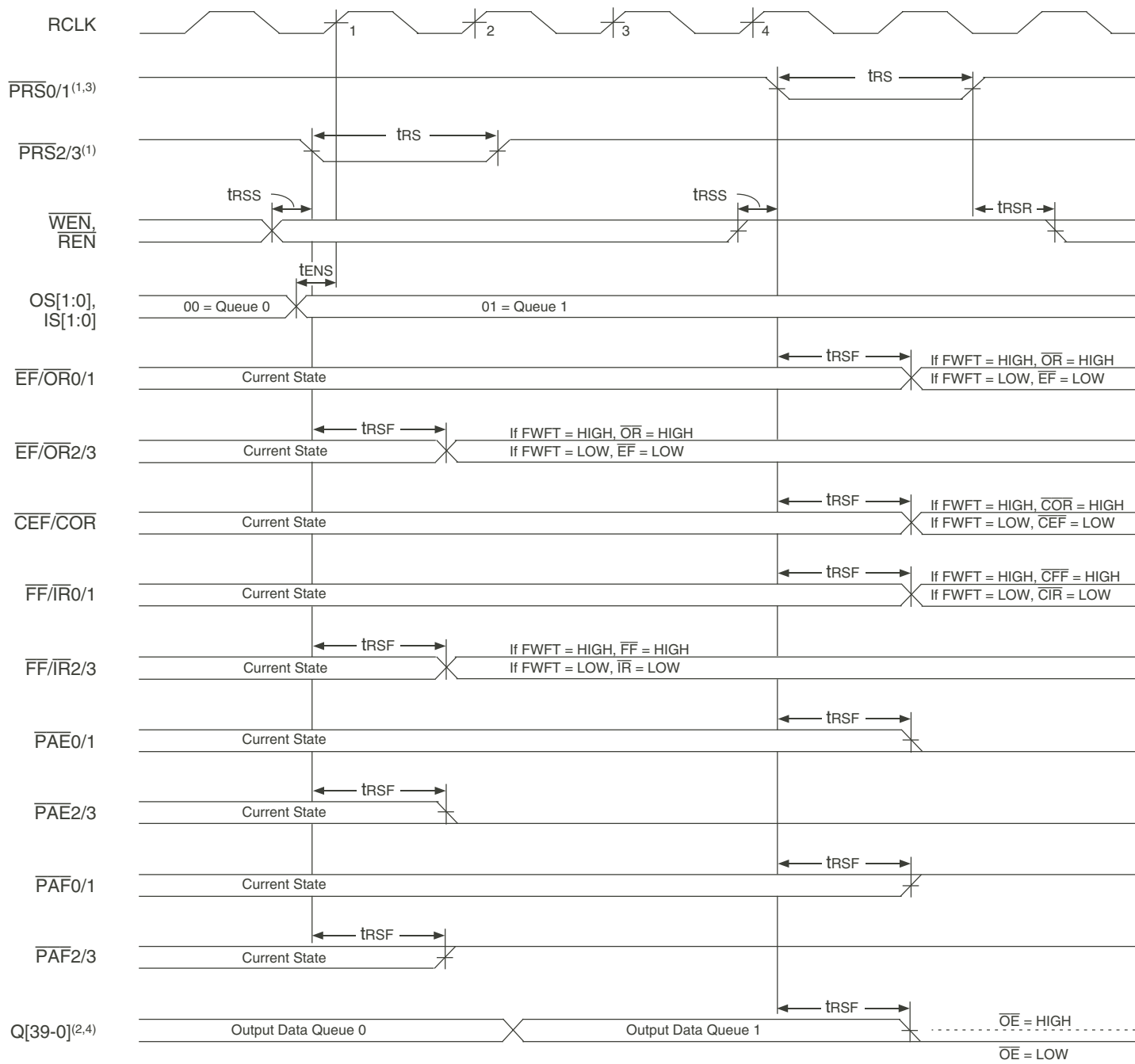


NOTES:

- \overline{OE} can toggle during master reset. During master reset, the high-impedance control of the Q_n data outputs is provided by \overline{OE} only.
- \overline{PRS} should be HIGH during a MRS.
- RCLK, WCLK and SCLK can be free running or idle.
- The state of these pins are latched when the master reset pulse is LOW.
- JTAG clock should not toggle during master reset.
- \overline{RCS} and \overline{WCS} can be HIGH or LOW until the first rising edge of RCLK after master reset is complete.
- \overline{EREN} wave form is identical to \overline{REN} , \overline{ERCLK} wave form is identical to RCLK.
- Composite flag wave form is identical to \overline{EF} , \overline{FF} , \overline{PAE} , \overline{PAF} wave form above.

6159 drw17

Figure 10. Master Reset Timing

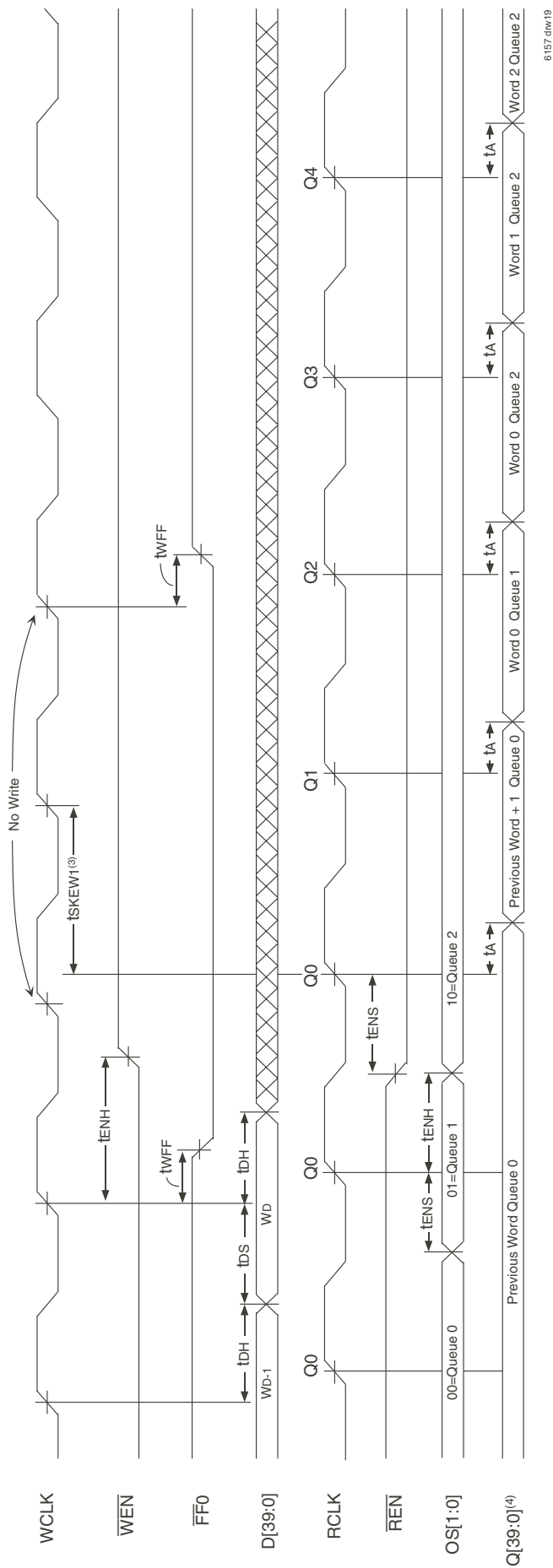


6159 drw18

NOTES:

1. During the input and/or output selection of two Queues, partial reset of the two Queues involved are prohibited.
2. During partial reset the high-impedance control of the output is provided by \overline{OE} only.
3. $\overline{PRS0/1}$ must go LOW after the fourth rising edge of RCLK/WCLK from where IS[1:0] and/or OS[1:0] transitioned.
4. This is the output data from Queue0 and Queue1.

Figure 11. Partial Reset Timing

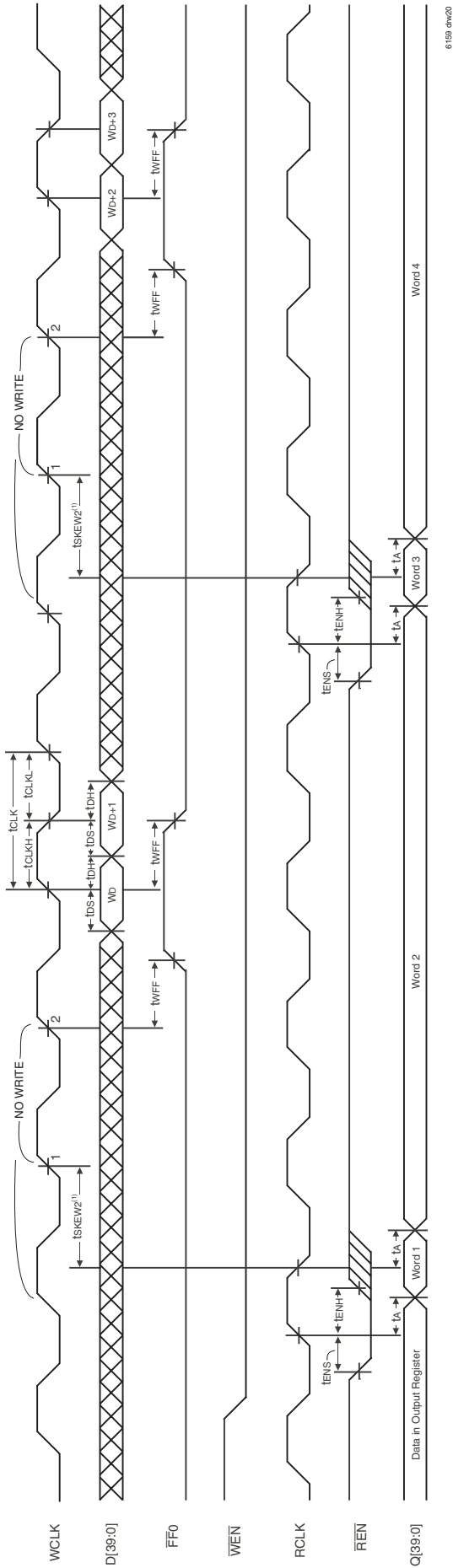


NOTES:

1. \overline{WCS} = LOW, \overline{OE} = LOW, \overline{WDDR} = LOW, \overline{RDDR} = LOW, and $IS[1:0] = 00$.
2. WCLK must be free running for FF0 to update.
3. t_{SKEW1} is the minimum time between a rising RCLK edge and a rising WCLK edge to guarantee that FF0 will go HIGH (after one WCLK cycle plus t_{WFF}). If the time between the rising edge of RCLK and the rising edge of WCLK is less than t_{SKEW1} , then the FF0 deassertion may be delayed one extra WCLK cycle. (See Table 6 - TSKEW measurement).
4. Two stage pipeline causes a two-cycle latency on write operations.

Figure 12. Write Cycle and Full Flag Timing (SDR to SDR, x40 In to x40 Out)

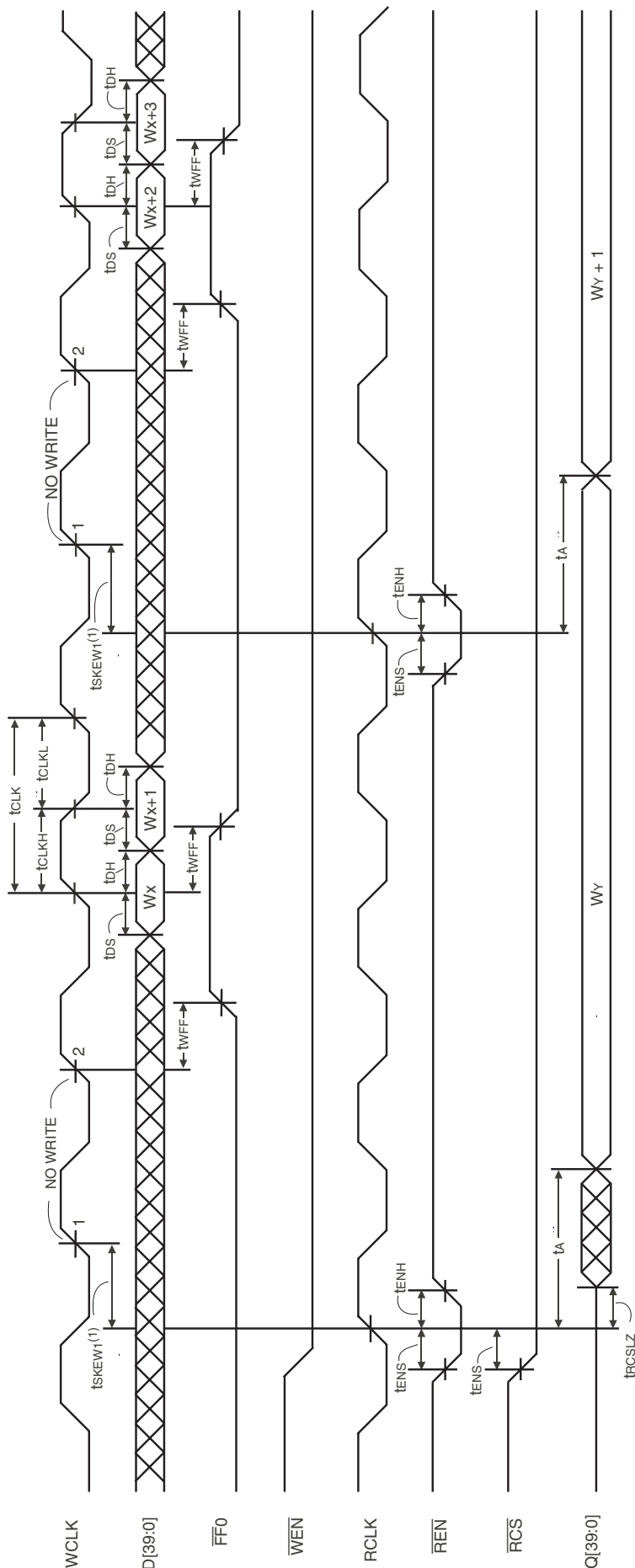
6157 d1w/19



6159.dwg20

- NOTES:**
1. t_{SKEW2} is the minimum time between a falling RCLK edge and a rising WCLK edge to guarantee that FF0 will go HIGH (after one WCLK cycle plus t_{WFF}). If the time between the falling edge of the RCLK and the rising edge of WCLK is less than t_{SKEW2}, then FF0 deassertion may be delayed one extra WCLK cycle. (See Table 6 - t_{skew} measurement).
 2. OE0 = LOW, WCS = LOW, RCS = LOW, WDDR = HIGH, RDDR = HIGH, IS[1:0] = 00, and OS[1:0] = 00.
 3. WCLK must be free running for FF0 to update.

Figure 13. Write Cycle and Full Flag Timing in DDR mode (IDT Standard mode, DDR to DDR, x40 In to x40 Out)

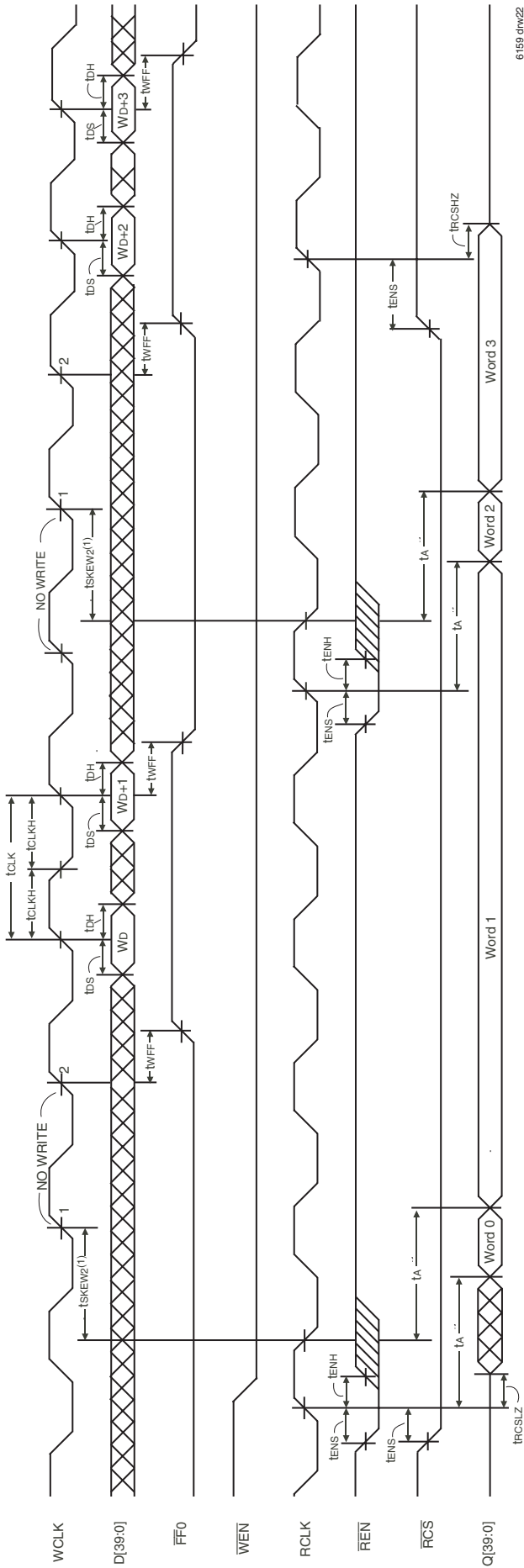


6159 drw21

NOTES:

1. tSKEW1 is the minimum time between a rising RCLK edge and a rising WCLK edge to guarantee that FF0 will go HIGH (after one WCLK cycle plus tWFF). If the time between the rising edge of the RCLK and the rising edge of the WCLK is less than tSKEW1, then the FF0 deassertion may be delayed one extra WCLK cycle. (See Table 6 - tSKEW measurement).
2. OE0 = LOW, WCS = LOW, WDDR = HIGH, RDDR = LOW, IS[1:0] = 00, and OS[1:0] = 00.
3. WCLK must be free running for FF0 to update.
4. Wx is a 10 bit word. D[39:10] are not used and should be corrected to GND.
5. Wy is a 20 bit word. Q[39:20] are not used and should be left open.

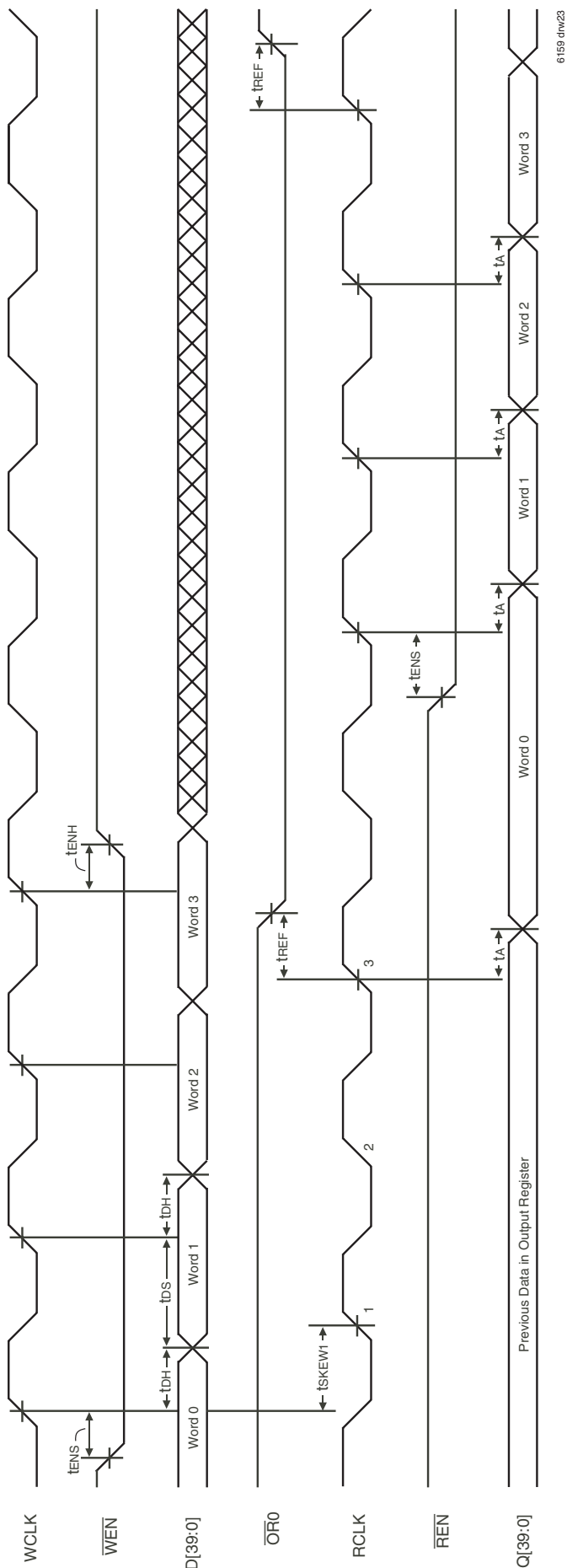
Figure 14. Write Cycle and Full Flag Timing with bus-matching and rate matching (IDT Standard mode, DDR to SDR, x10 In to x20 Out)



NOTES:

1. tSKEW2 is the minimum time between a falling RCLK edge and a rising WCLK edge to guarantee that FFO will go HIGH (after one WCLK cycle plus tWFF). If the time between the falling edge of the RCLK and the rising edge of WCLK is less than tSKEW2, then FFO deassertion may be delayed one extra WCLK cycle. (See Table 6 - tSKEW measurement).
2. OE0 = LOW, WCS = LOW, RCS = LOW, WDDR = LOW, RDDR = HIGH, tS[1:0] = 00, and OS[1:0] = 00.
3. WCLK must be free running for FFO to update.

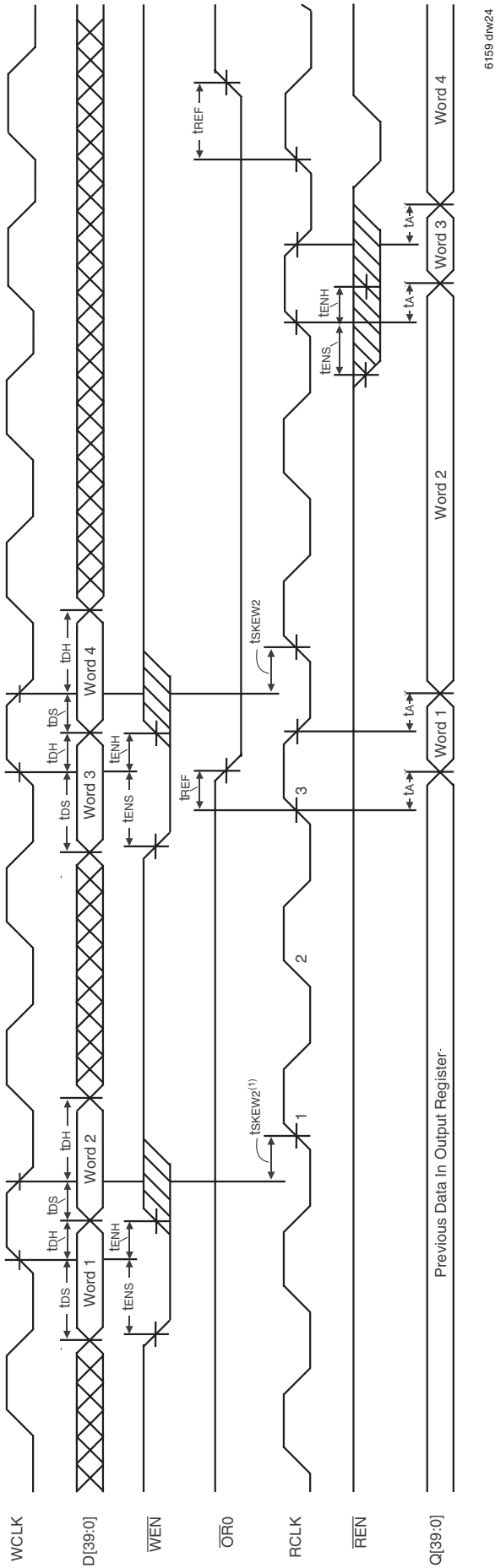
Figure 15. Write Cycle and Full Flag Timing with rate matching (IDT Standard mode, SDR to DDR, x40 In to x40 Out)



NOTES:

1. tSKEW1 is the minimum time between a rising RCLK edge and a rising WCLK edge to guarantee that FF0 will go HIGH (after one WCLK cycle plus tWFF). If the time between the rising edge of RCLK and the rising edge of WCLK is less than tSKEW1, then the FF0 deassertion may be delayed one extra WCLK cycle. (See Table 6 - tSKEW measurement).
2. WCS = LOW, OE = LOW, WDDR = LOW, RDDR = LOW, OS[1:0] = 00, OS[1:0] = 0, and RCS = LOW.
3. WCLK must be free running for FF0 to update.

Figure 16. Write Timing in FWFT mode (FWFT mode, SDR to SDR, x40 In to x40 Out)

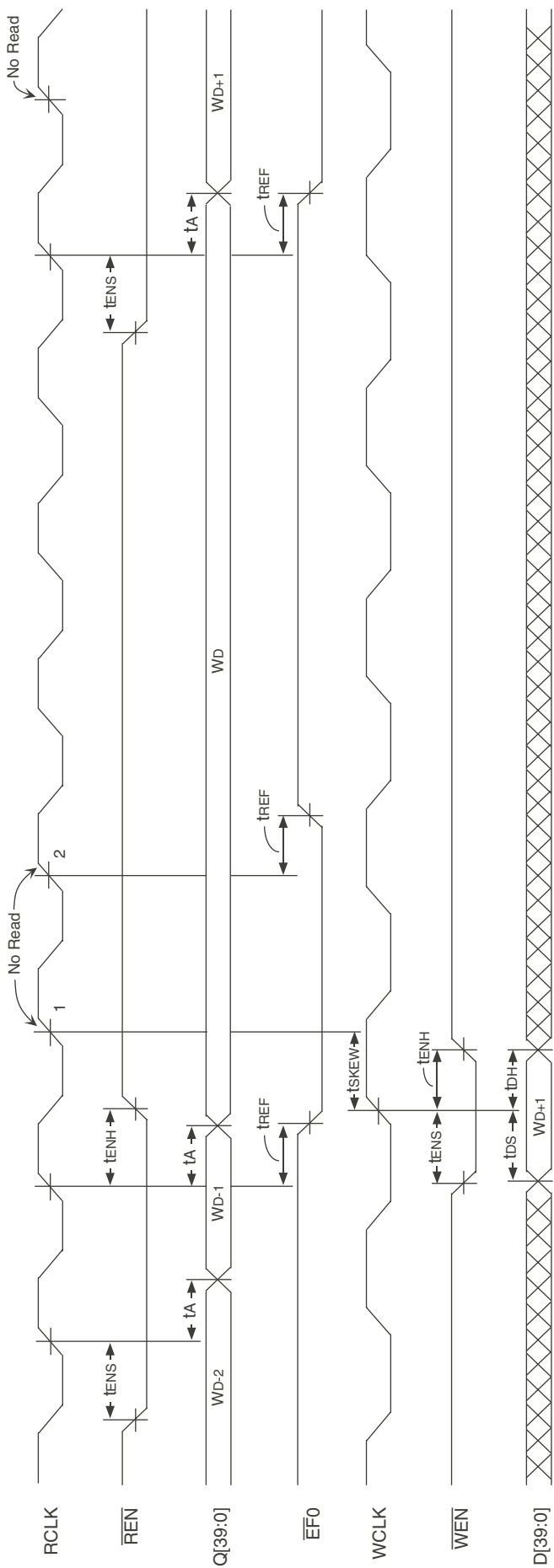


6159 dw24

NOTES:

1. t_{SKEW2} is the minimum time between a falling WCLK edge and a rising RCLK edge to guarantee that $\overline{OR0}$ will go LOW after two RCLK cycle plus t_{REF}. If the time between the falling edge of WCLK and the rising edge of RCLK is less than t_{SKEW2}, then $\overline{OR0}$ assertion may be delayed one extra RCLK cycle. (See Table 6 - t_{SKEW} measurement).
2. \overline{OE} = LOW, \overline{RCS} = LOW, \overline{WCS} = LOW, \overline{WDDR} = HIGH, \overline{RDDR} = HIGH, $\overline{IS}[1:0]$ = 00, and $\overline{OS}[1:0]$ = 00.
3. First data word latency = t_{SKEW2} + RCLK full period + t_{REF}.
4. RCLK must be free running for $\overline{OR0}$ to update.

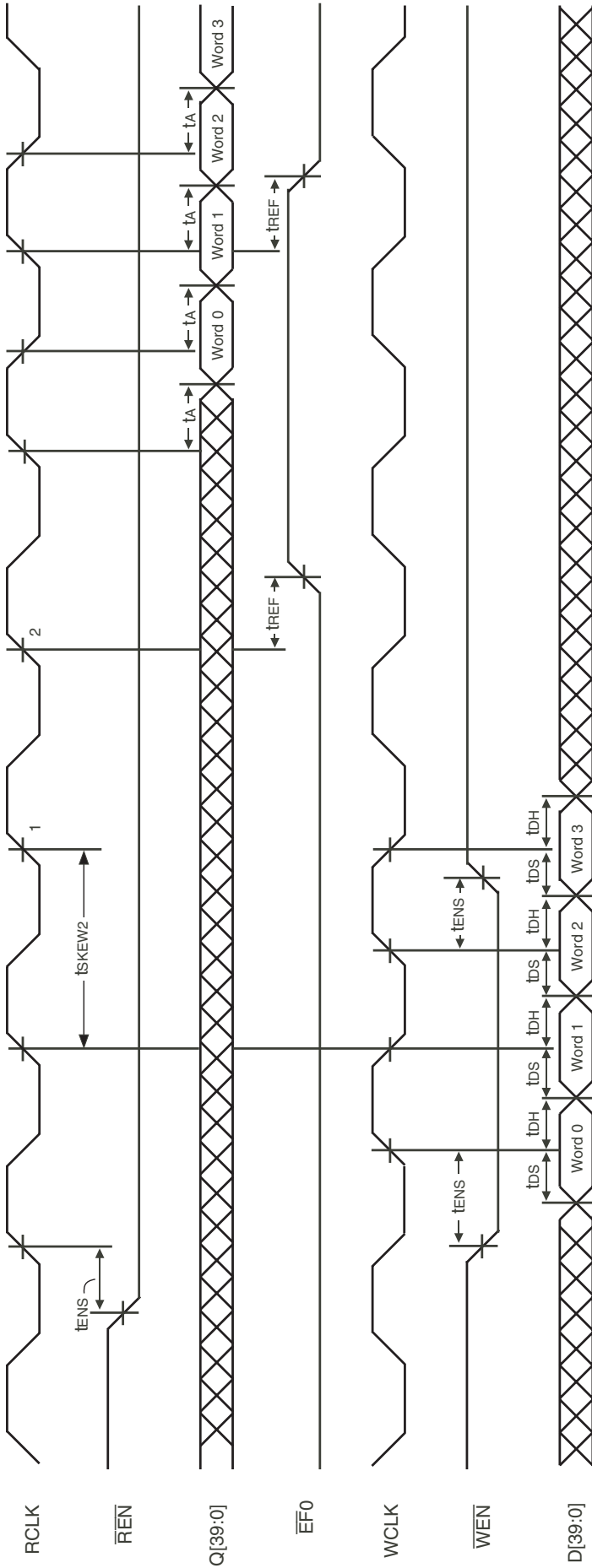
Figure 17. Write Cycle and First Word Latency Timing in DDR mode (FWFT mode, DDR to DDR, x40 In to x40 Out)



6159 d/nv25

- NOTES:**
1. OE = LOW, RCS = LOW, WCS = LOW, WDDR = LOW, RDDR = LOW, IS[1:0] = 00, and OS[1:0] = 00.
 2. First data word latency = tskeww1 + RCLK full period + tREF.
 3. RCLK must be free running for EF0 to update.

Figure 18. Read Cycle, Empty Flag and First Word Latency (IDT Standard mode, SDR to SDR, x40 In to x40 Out)

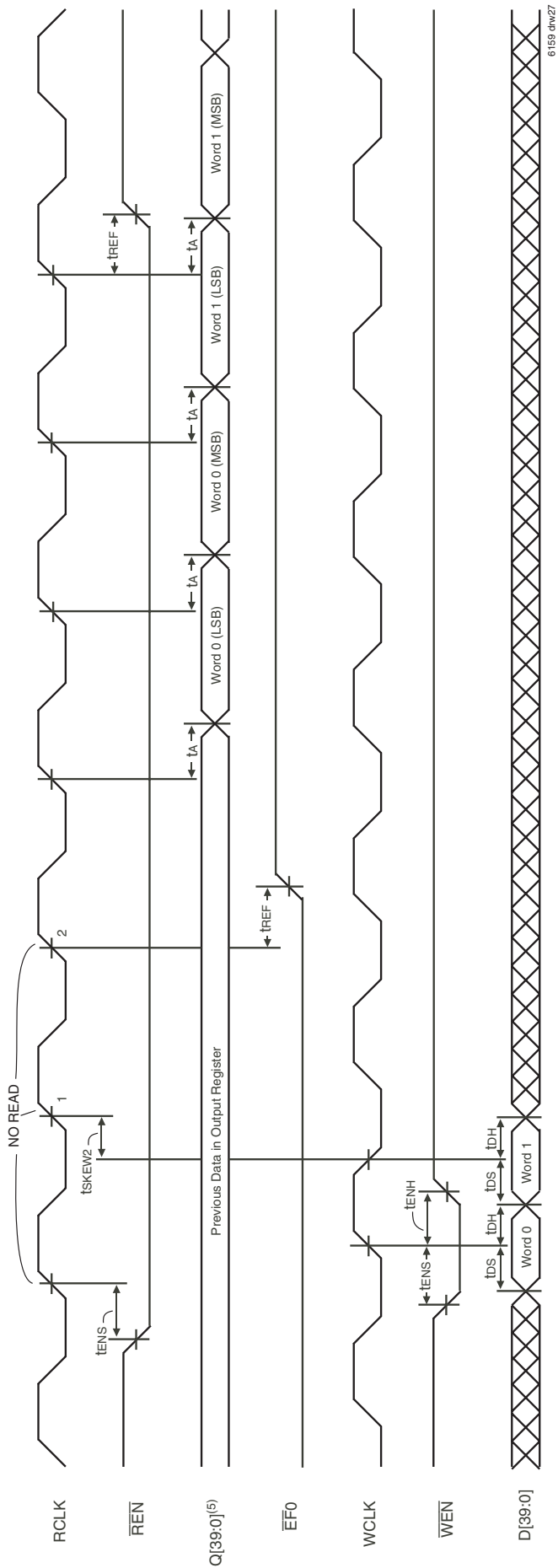


6159 drw26

NOTES:

1. t_{SKEW2} is the minimum time between a falling RCLK edge and a rising WCLK edge to guarantee that $\overline{FF0}$ will go HIGH (after one WCLK cycle plus t_{WFF}). If the time between the falling edge of the RCLK and the rising edge of WCLK is less than t_{SKEW2} , then $\overline{FF0}$ deassertion may be delayed one extra WCLK cycle. (See Table 6 - t_{SKEW} measurement).
2. $\overline{OE0}$ = LOW, \overline{WCS} = LOW, RCS = LOW, $WDDR$ = HIGH, $RDDR$ = HIGH, $IS[1:0]$ = 00, and $OS[1:0]$ = 00.
3. First data word latency = t_{SKEW2} + RCLK full period + t_{REF} .
4. RCLK must be free running for $\overline{EF0}$ to update.

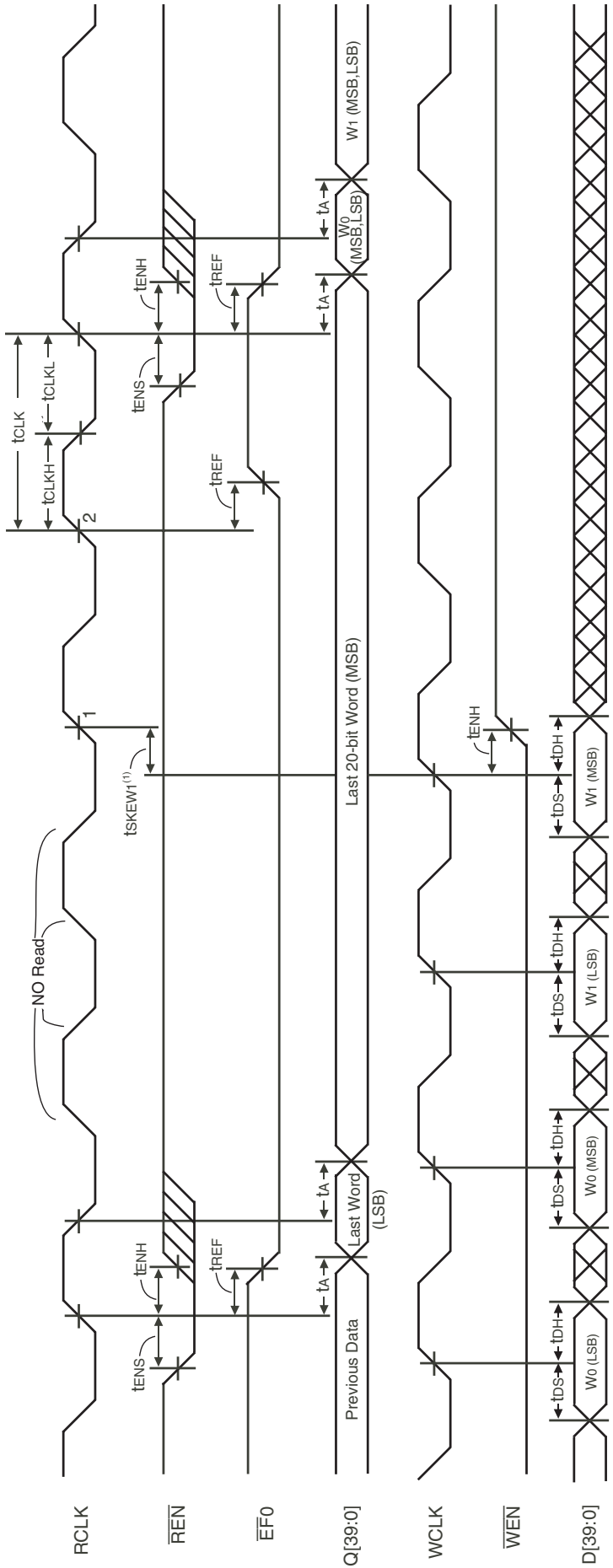
Figure 19. Read Cycle, Empty Flag and First Word Latency in DDR mode (IDT Standard mode, DDR to DDR, x40 In to x40 Out)



NOTES:

1. tskew2 is the minimum time between a falling RCLK edge and a rising WCLK edge to guarantee that FF0 will go HIGH (after one WCLK cycle plus twff). If the time between the falling edge of the RCLK and the rising edge of WCLK is less than tskew2, then FF0 deassertion may be delayed one extra WCLK cycle. (See Table 6 - Tskew measurement).
2. OE = LOW, WCS = LOW, RCS = LOW, WDDR = HIGH, RDDR = HIGH, IW = 10, OW = 01, IS[1:0] = 00, and OS[1:0] = 00.
3. First data word latency = tskew2 + RCLK full period + tREF.
4. RCLK must be free running for EF0 to update.
5. Word X LSB = D[19:0], Word X MSB = D[39:20], Q[39:20] will be high-impedanced.
6. Q[39:20] are not used and must be left open.

Figure 20. Read Cycle, Empty Flag and First Word Latency with bus-matching and rate-matching (IDT Standard mode, DDR to SDR, x40 In to x20 Out)

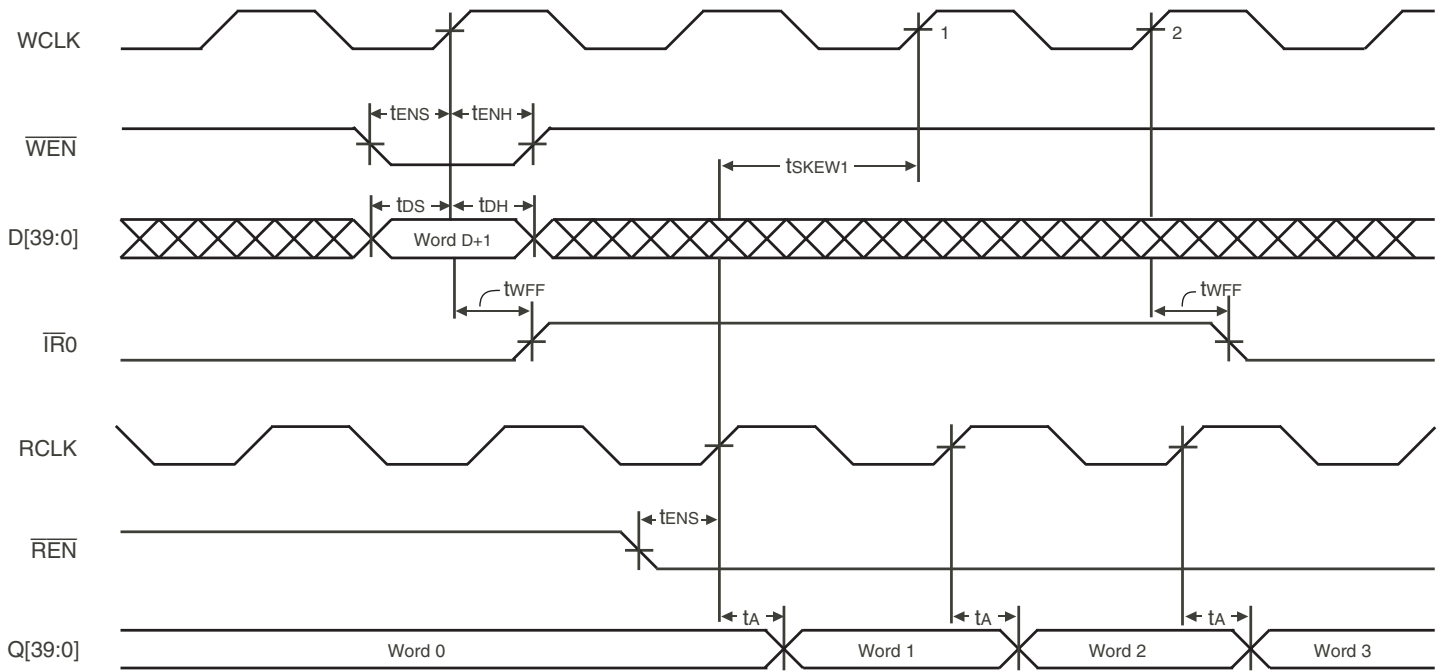


6159 drw28

NOTES:

1. t_{SKEW1} is the minimum time between a rising WCLK edge and a rising RCLK edge to guarantee that $\overline{EF0}$ will go HIGH (after one RCLK cycle plus t_{REF}). If the time between the rising edge of WCLK and the rising edge of RCLK is less than t_{SKEW1} , then $\overline{EF0}$ deassertion may be delayed one extra RCLK cycle. (See Table 6 - t_{SKEW} measurement).
2. $\overline{OE0}$ = LOW, RCS = LOW, WCS = LOW, $WDDR$ = LOW, $RDDR$ = HIGH, IW = 00, and OW = 01.
3. First data word latency = t_{SKEW1} + RCLK full period + t_{REF} .
4. RCLK must be free running for $\overline{EF0}$ to update.
5. Word WX LSB = D[9:0], Word WX MSB = D[19:10].
6. D[39:10] are not used and should be tied to GND. Q[39:20] are not used and must be left open.

Figure 21. Read Cycle and Empty Flag Timing with bus-matching and rate-matching (IDT Standard mode, SDR to DDR, x10 In to x20 Out)

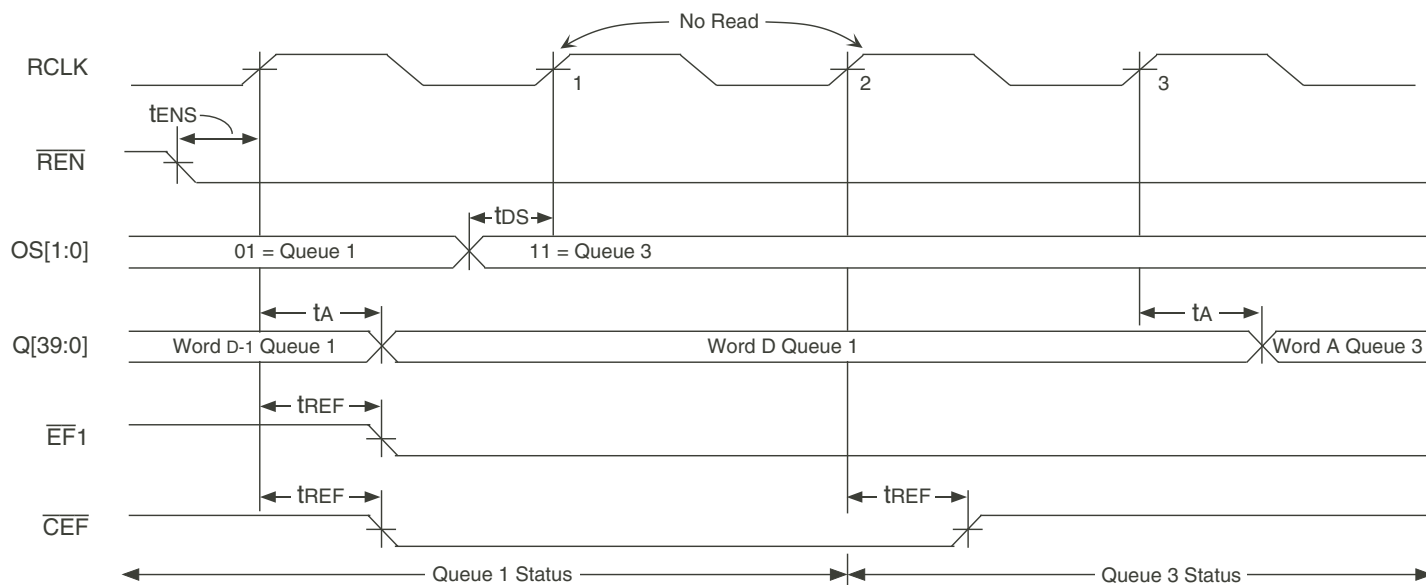


6159 drw29

NOTES:

1. t_{SKEW1} is the minimum time between a rising RCLK edge and a rising WCLK edge to guarantee that $\overline{IR0}$ will go HIGH (after one WCLK cycle plus t_{WFF}). If the time between the rising edge of RCLK and the rising edge of WCLK is less than t_{SKEW1} , then the $\overline{IR0}$ deassertion may be delayed one extra WCLK cycle. (See Table 6 - t_{SKEW} measurement).
2. WCLK must be free running for $\overline{IR0}$ to update.
3. $\overline{OE} = \text{LOW}$, $\overline{RCS} = \text{LOW}$, $\overline{WCS} = \text{LOW}$, $\overline{WDDR} = \text{LOW}$, $\overline{RDDR} = \text{LOW}$, $IW = 10$, and $OW = 10$.

Figure 22. Read Timing at Full Boundary (FWFT mode, SDR to SDR, x40 In to x40 Out)

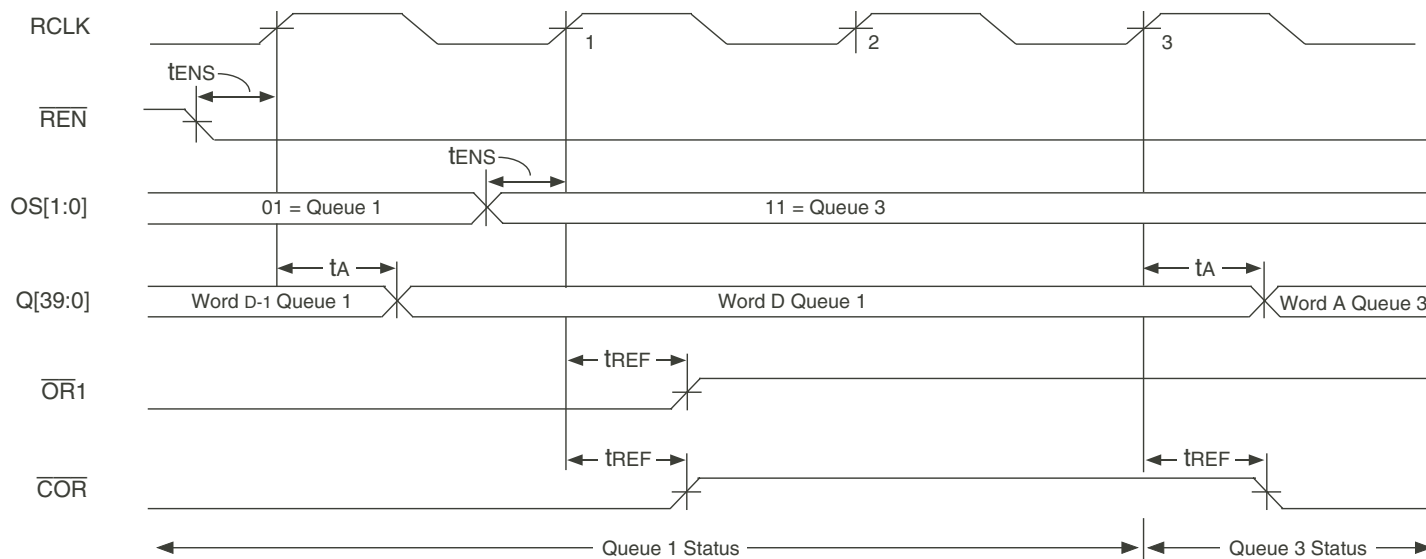


6159 drw30

NOTES:

1. \overline{RCS} = LOW, and \overline{OE} = LOW.
2. $\overline{EF3}$ is HIGH.
3. Word D-1 is the second to last word in Queue 1. Word D is the last word in Queue 1.
4. Word A is the next available word in Queue 3.
5. The composite empty flag will update to the newly selected Queue after one RCLK cycle once a new Queue has been selected using OS[1:0].

Figure 23. Composite Empty Flag (IDT Standard mode, SDR to SDR, x40 In to x40 Out)

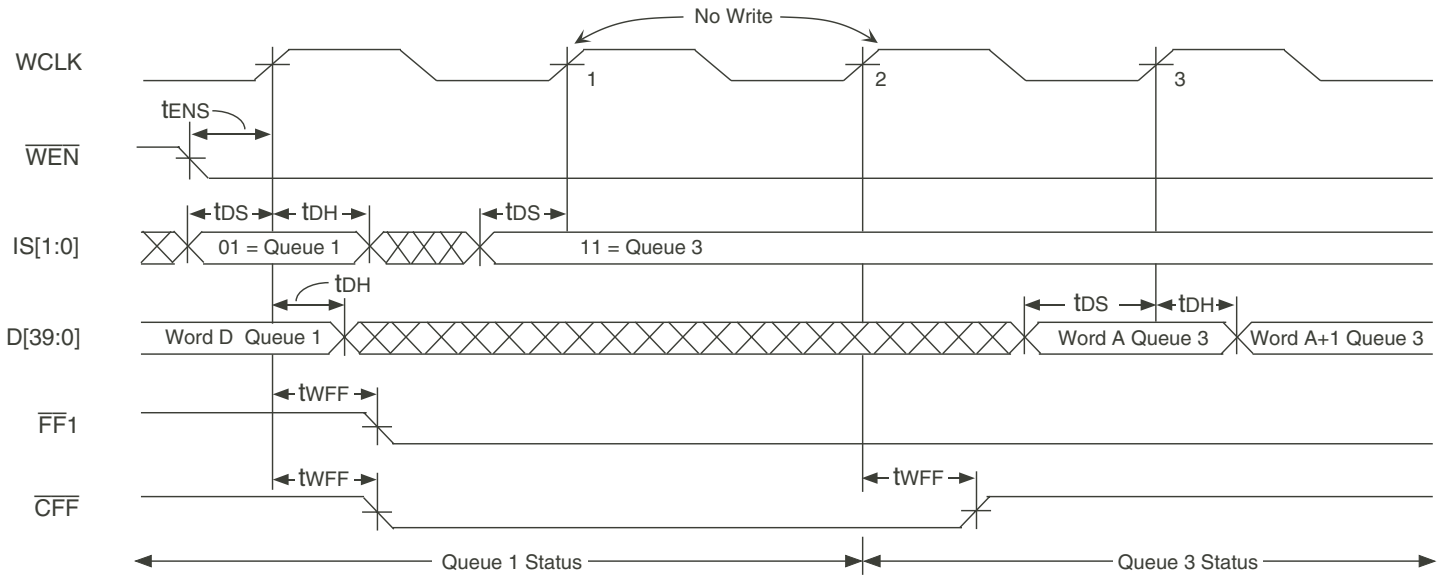


6159 drw31

NOTES:

1. \overline{RCS} = LOW, and \overline{OE} = LOW.
2. $\overline{OR3}$ is LOW.
3. Word D-1 is the second to last word in Queue 1. Word D is the last word in Queue 1.
4. Word A is the next available word in Queue 3.
5. The composite output ready flag will update to the newly selected Queue after two RCLK cycles once a new Queue has been selected using OS[1:0].

Figure 24. Composite Output Ready Flag (FWFT mode, SDR to SDR, x40 In to x40 Out)

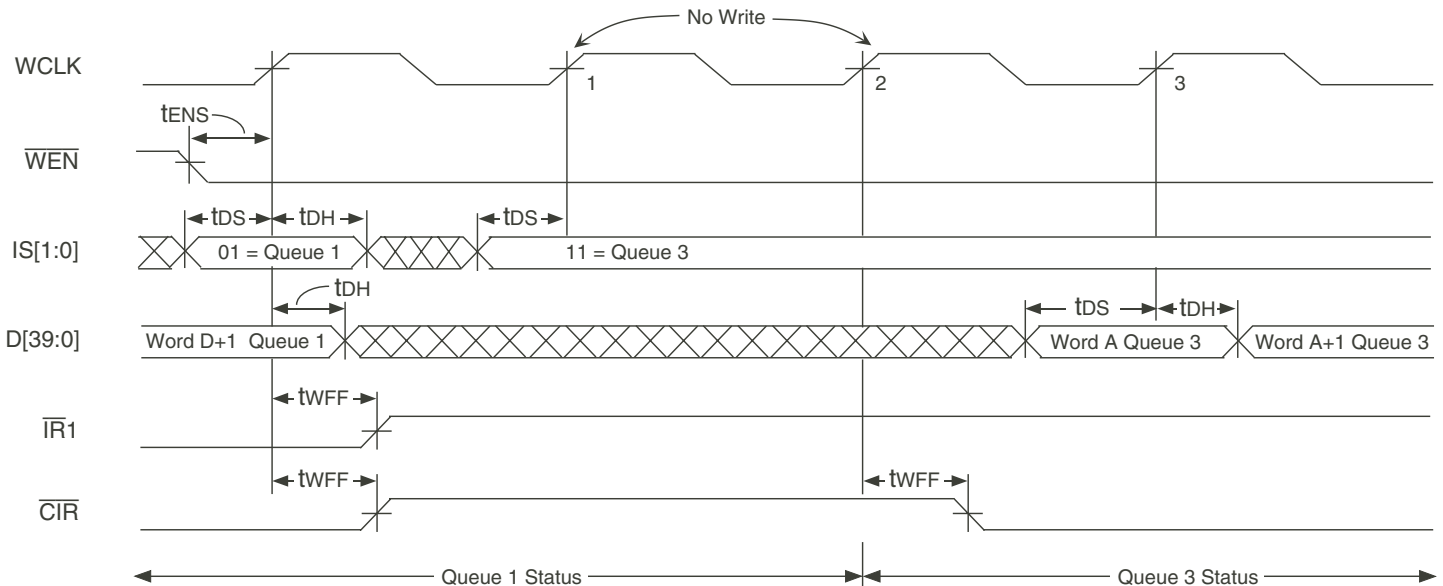


6159 drw32

NOTES:

1. \overline{WCS} = LOW.
2. $\overline{FF3}$ is HIGH.
3. Word D is the last word written that causes Queue 1 to be full.
4. Word A is the next word written to Queue 3.
5. The composite full flag will update to the newly selected Queue after one WCLK cycle once a new Queue has been selected using IS[1:0].

Figure 25. Composite Full Flag (IDT Standard mode, SDR to SDR, x40 In to x40 Out)

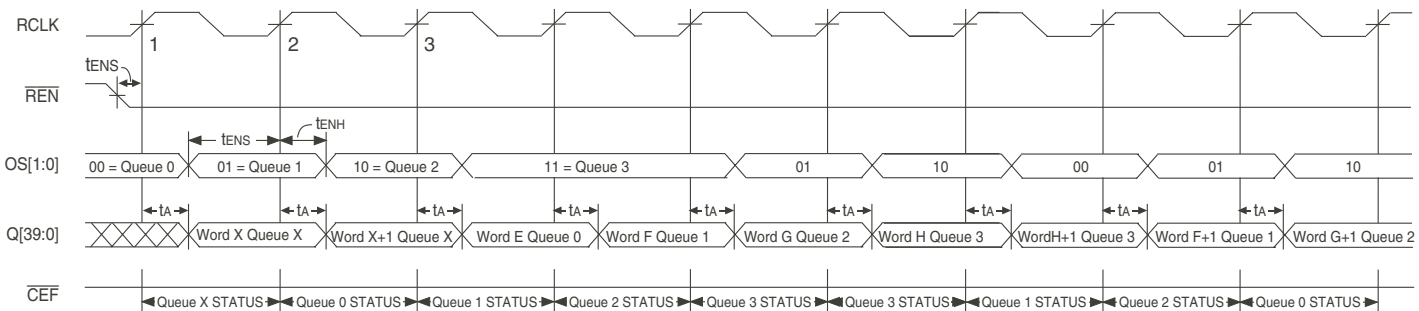
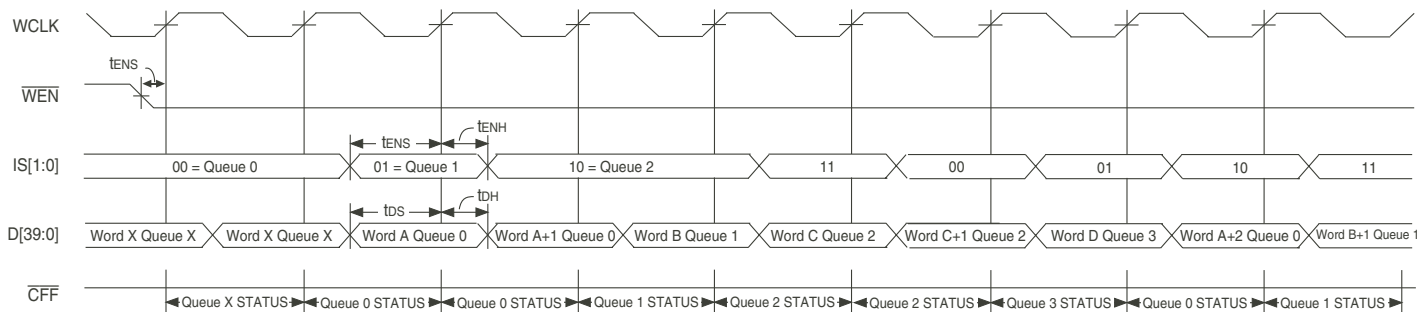


6159 drw33

NOTES:

1. \overline{WCS} = LOW.
2. $\overline{IR3}$ = LOW.
3. Word D+1 is the last word written that causes Queue 1 to be full. Word D fell through to the output.
4. Word A is the next word written to Queue 3.
5. The composite full flag will update to the newly selected Queue after one WCLK cycle once a new Queue has been selected using IS[1:0].

Figure 26. Composite Input Ready Flag (FWFT mode, SDR to SDR, x40 In to x40 Out)

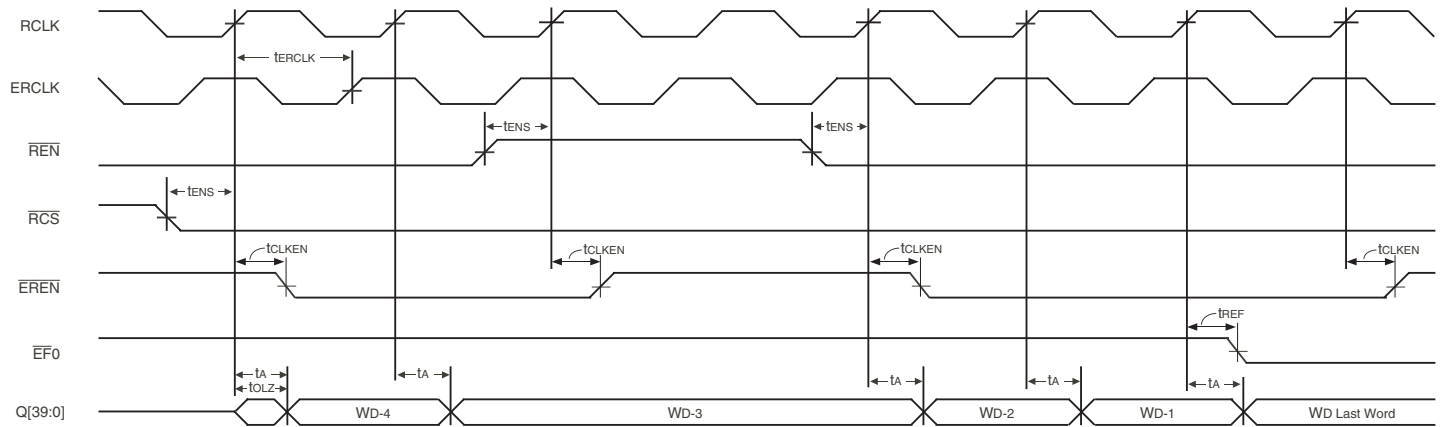


6159 drw34

NOTES:

1. The reading and writing to different Queues can occur at every clock cycle. There is a two cycle latency pipeline when switching from one Queue to another.
2. Word group A is written into Queue 0. Word group B Queue 1. Word group C Queue 2. Word group D Queue 3.
3. The composite empty and full flags will update the status of the newly selected Queue one cycle clock after the Queue has been selected.
4. \overline{OE} = LOW, WDDR = HIGH, and RDDR = HIGH.
5. If FWFT mode is selected, the composite input ready flag (\overline{CIR}) timing is the same as \overline{CEF} . The composite output ready (\overline{COR}) will update after two clock cycles instead of one.

Figure 27. Queue Switch at Every Clock Cycle (IDT Standard mode, SDR to SDR, x40 In to x40 Out)



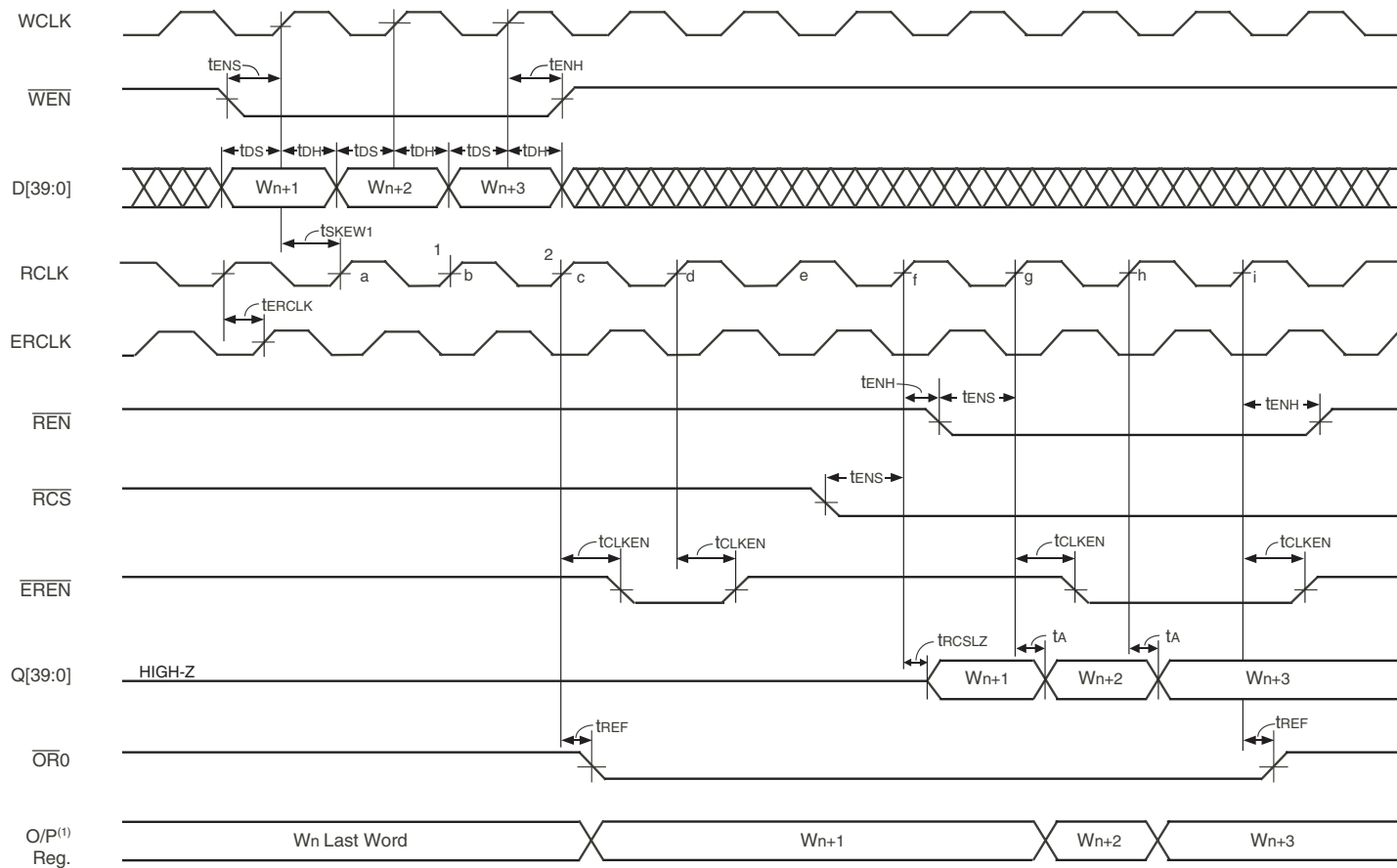
6159 drw35

NOTES:

1. The \overline{EREN} output is "or gated" to \overline{RCS} and \overline{REN} and will follow these inputs provided that the Queue is not empty. If the Queue is empty, \overline{EREN} will go HIGH to indicate that there is no new word available.
2. The \overline{EREN} output is synchronous to RCLK.
3. $\overline{OE} = \text{LOW}$, $\text{WDDR} = \text{HIGH}$, $\text{RDDR} = \text{HIGH}$, $\text{IS}[1:0] = 00$, and $\text{OS}[1:0] = 00$.
4. The truth table for \overline{EREN} is shown below:

RCLK	\overline{EF}	\overline{RCS}	\overline{REN}	\overline{EREN}
↑	1	0	0	0
↑	1	0	1	1
↑	1	1	0	1
↑	1	1	1	1
↑	0	X	X	1

Figure 28. Echo Read Clock and Read Enable Operation (IDT Standard mode, SDR to SDR, x40 In to x40 Out)



6159 drw06

NOTES:

1. The O/P Register is the internal output register. Its contents are available on the Qn output bus only when \overline{RCS} and \overline{OE} are both active, LOW, that is the bus is not in High-Impedance state.

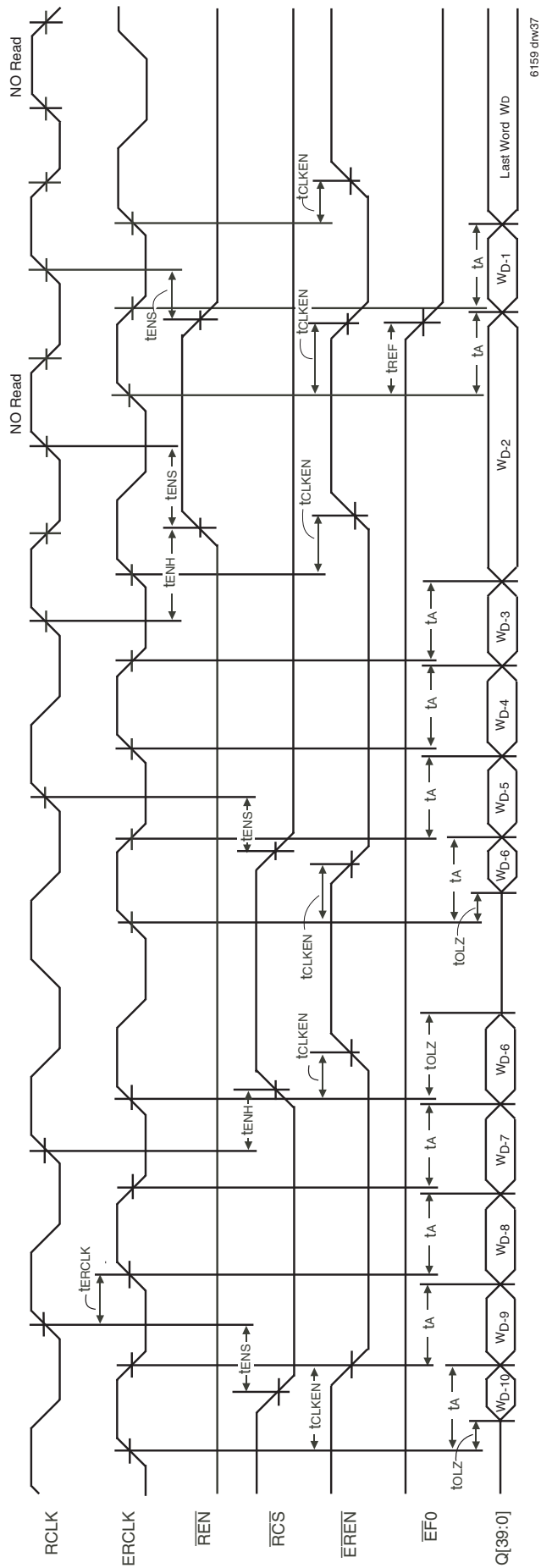
2. \overline{OE} is LOW.

Cycle:

- a&b. At this point the Queue is empty, $\overline{OR0}$ is HIGH.
 \overline{RCS} and \overline{REN} are both disabled, the output bus is High-Impedance.
 - c. Word W_{n+1} falls through to the output register, $\overline{OR0}$ goes active, LOW.
 \overline{RCS} is HIGH, therefore the Qn outputs are High-Impedance. \overline{EREN} goes LOW to indicate that a new word has been placed into the output register.
 - d. \overline{EREN} goes HIGH, no new word has been placed into the output register on this cycle.
 - e. No Operation.
 - f. \overline{RCS} is LOW on this cycle, therefore the Qn outputs go to Low-Impedance and the contents of the output register (W_{n+1}) are made available.
NOTE: In FWFT mode it's important to take \overline{RCS} active LOW at least one cycle ahead of \overline{REN} , this ensures the word (W_{n+1}) currently in the output register is made available for at least one cycle, otherwise W_{n+1} will not be overwritten by W_{n+2} .
 - g. \overline{REN} goes active LOW, this reads out the second word, W_{n+2} .
 \overline{EREN} goes active LOW to indicate a new word has been placed into the output register.
 - h. Word W_{n+3} is read out, \overline{EREN} remains active, LOW indicating a new word has been read out.
NOTE: W_{n+3} is the last word in the Queue.
 - i. This is the next enabled read after the last word, W_{n+3} has been read out. $\overline{OR0}$ flag goes HIGH and \overline{EREN} goes HIGH to indicate that there is no new word available.
4. $\overline{OE} = \text{LOW}$, $WDDR = \text{LOW}$, $RDDR = \text{LOW}$, $IS[1:0] = 00$, and $OS[1:0] = 00$.
5. The truth table for \overline{EREN} is shown below:

RCLK	\overline{OR}	\overline{RCS}	\overline{REN}	\overline{EREN}
↑	0	0	0	0
↑	0	0	1	1
↑	0	1	0	1
↑	0	1	1	1
↑	1	X	X	1

Figure 29. Echo RCLK and Echo Read Enable Operation (FWFT mode, SDR to SDR, x40 In to x40 Out)



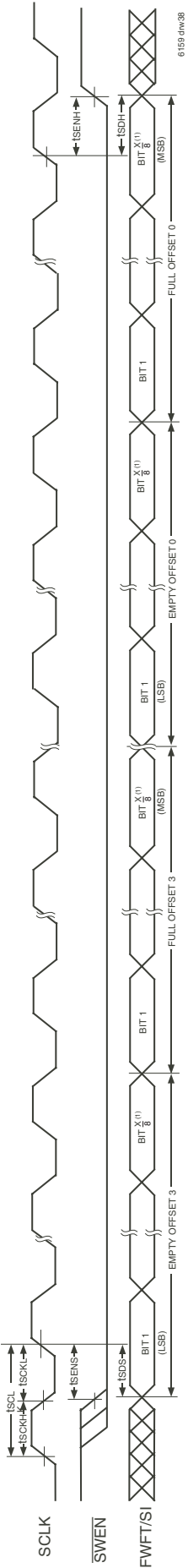
6159 dnv37

NOTES:

1. The \overline{EREN} output is "or gated" to \overline{RCS} and \overline{REN} and will follow these inputs provided that the Queue is not empty. If the Queue is empty, \overline{EREN} will go HIGH to indicate that there is no new word available.
2. The \overline{EREN} output is synchronous to RCLK.
3. OE = LOW, WDDR = HIGH, RDDR = HIGH, IS[1:0] = 00, and OS[1:0] = 00.
4. The truth table for \overline{EREN} is shown below:

RCLK	EF	RCS	REN	EREN
↑	1	0	0	0
↑	1	0	1	1
↑	1	1	0	1
↑	1	1	1	1
↑	0	X	X	1

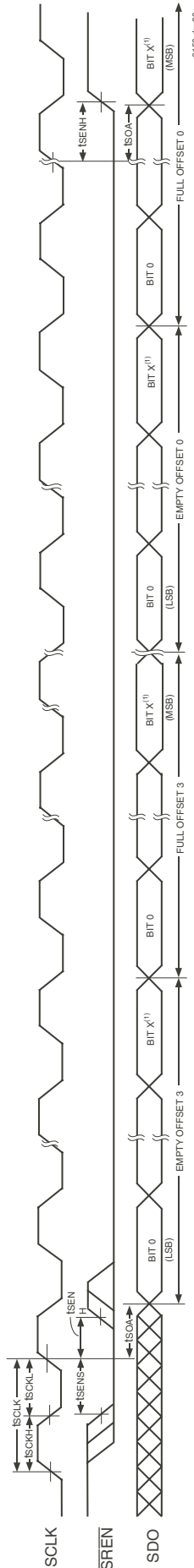
Figure 30. Echo Read Clock and Read Enable Operation (IDT Standard mode, DDR to DDR, x10 In to x10 Out)



NOTE:

1. If IW/OW = x40, X = 104 for the IDT72T51248, X = 112 for the IDT72T51258, X = 120 for the IDT72T51268.
 If IW/OW = x20, X = 112 for the IDT72T51248, X = 120 for the IDT72T51258, X = 128 for the IDT72T51268.
 If IW/OW = x10, X = 120 for the IDT72T51248, X = 128 for the IDT72T51258, X = 136 for the IDT72T51268.

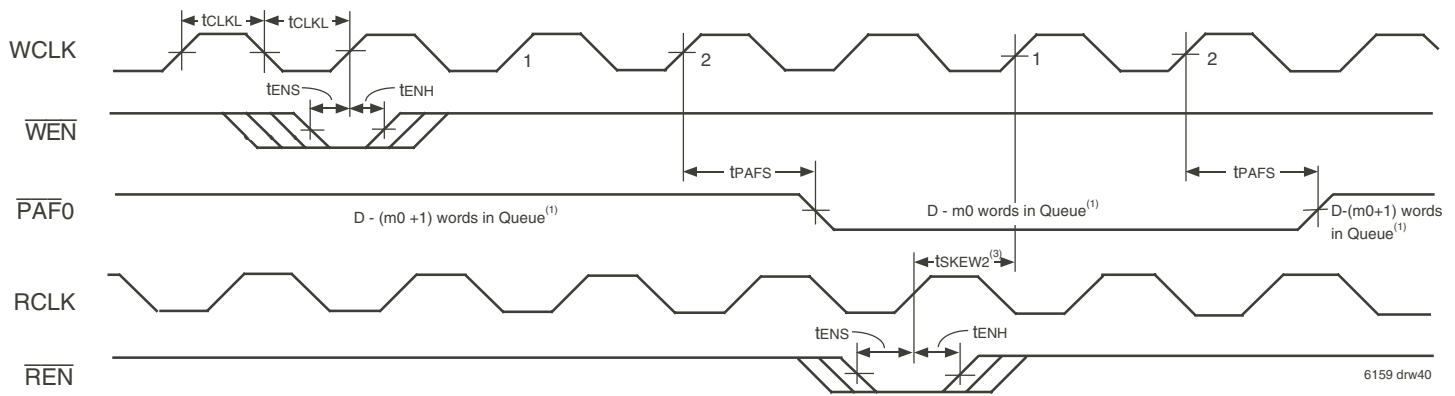
Figure 31. Loading of Programmable Flag Registers (IDT Standard and FWFT modes)



NOTE:

1. If IW/OW = x40, X = 104 for the IDT72T51248, X = 112 for the IDT72T51258, X = 120 for the IDT72T51268.
 If IW/OW = x20, X = 112 for the IDT72T51248, X = 120 for the IDT72T51258, X = 128 for the IDT72T51268.
 If IW/OW = x10, X = 120 for the IDT72T51248, X = 128 for the IDT72T51258, X = 136 for the IDT72T51268.

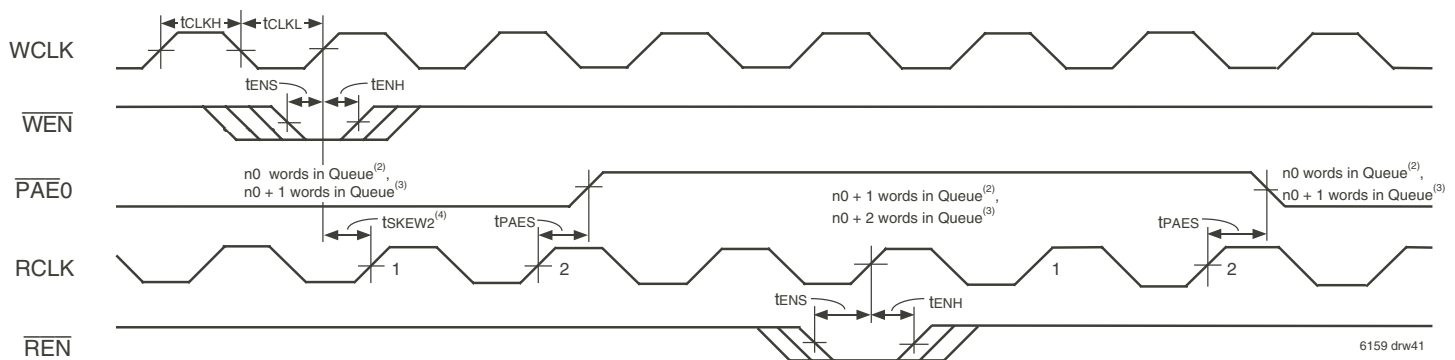
Figure 32. Reading of Programmable Flag Registers (IDT Standard and FWFT modes)



NOTES:

1. $m0 = \overline{PAF0}$ offset .
2. D = maximum Queue depth. For density of Queue with bus-matching, refer to the bus-matching section pages 17-20.
3. $tskew2$ is the minimum time between a rising RCLK edge and a rising WCLK edge to guarantee that $\overline{PAF0}$ will go HIGH (after one WCLK cycle plus $tPAFS$). If the time between the rising edge of RCLK and the rising edge of WCLK is less than $tskew2$, then the $\overline{PAF0}$ deassertion time may be delayed one extra WCLK cycle.
4. $\overline{PAF0}$ is asserted and updated on the rising edge of WCLK only.
5. $\overline{RCS} = \text{LOW}$, $\overline{WCS} = \text{LOW}$, $\overline{WDDR} = \text{LOW}$, $\overline{RDDR} = \text{LOW}$, $IS[1:0] = 00$, and $OS[1:0] = 00$.

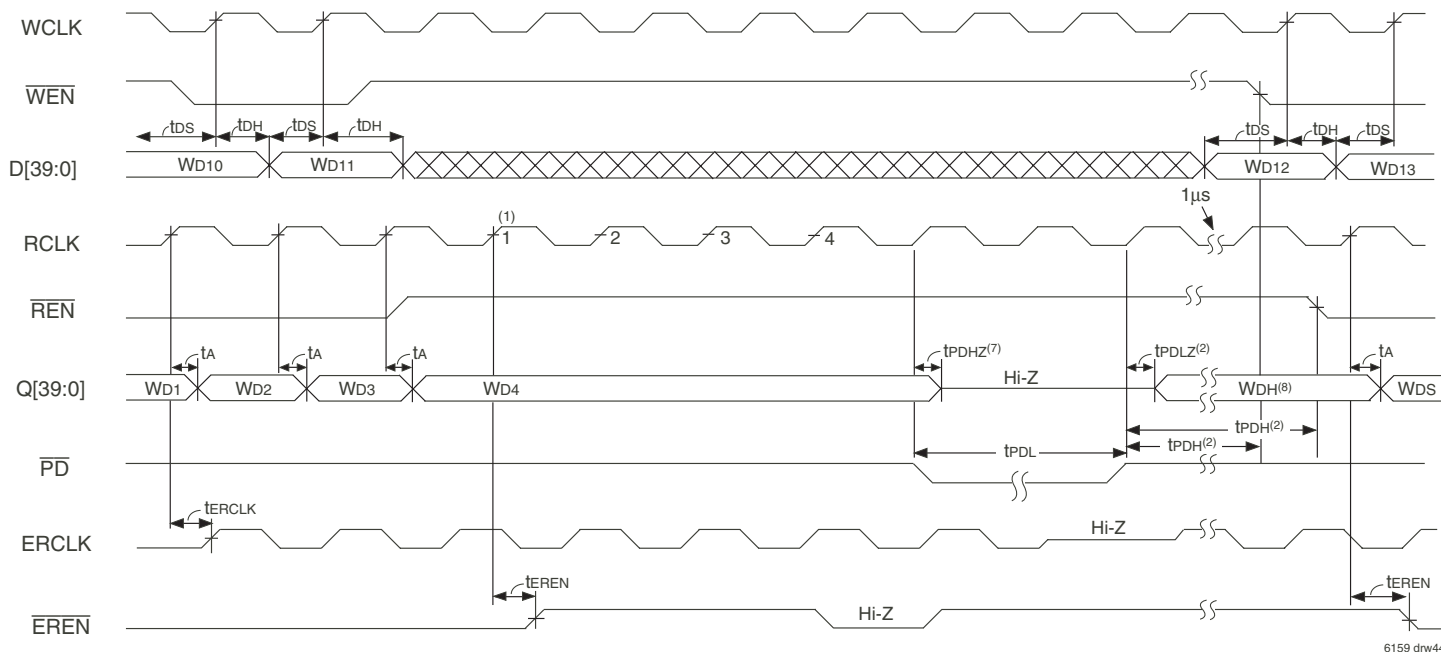
Figure 33. Synchronous Programmable Almost-Full Flag Timing (IDT Standard and FWFT mode, SDR to SDR, x40 In to x40 Out)



NOTES:

1. $n0 = \overline{PAE0}$ offset.
2. For IDT Standard mode
3. For FWFT mode.
4. $tskew2$ is the minimum time between a rising WCLK edge and a rising RCLK edge to guarantee that \overline{PAE} will go HIGH (after one RCLK cycle plus $tPAES$). If the time between the rising edge of WCLK and the rising edge of RCLK is less than $tskew2$, then the $\overline{PAE0}$ deassertion may be delayed one extra RCLK cycle.
5. $\overline{PAE0}$ is asserted and updated on the rising edge of WCLK only.
6. $\overline{RCS} = \text{LOW}$, $\overline{WCS} = \text{LOW}$, $\overline{WDDR} = \text{LOW}$, $\overline{RDDR} = \text{LOW}$, $IS[1:0] = 00$, and $OS[1:0] = 00$.

Figure 34. Synchronous Programmable Almost-Empty Flag Timing (IDT Standard and FWFT mode, SDR to SDR, x40 In to x40 Out)

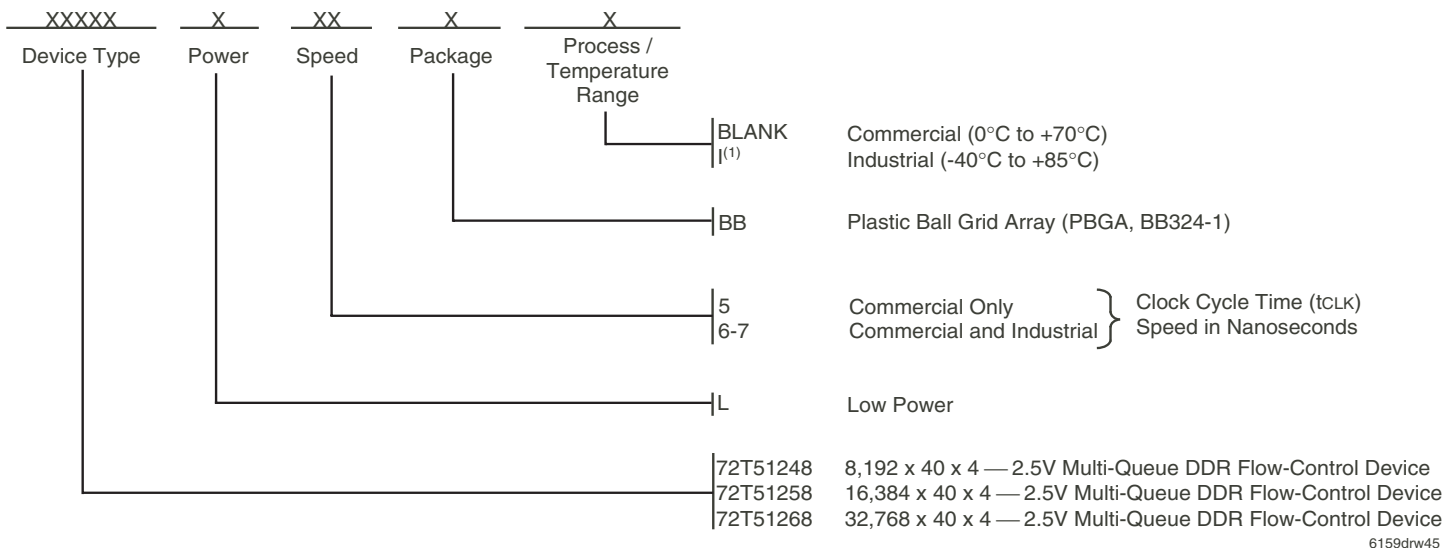


NOTES:

1. All read and write operations must have ceased a minimum of 4 WCLK and 4 RCLK cycles before power down is asserted.
2. When the PD input becomes deasserted, there will be a 1 μ s waiting period before read and write operations can resume.
 All input and output signals will also resume after this time period.
3. Set-up and configuration static inputs are not affected during power down.
4. Serial programming and JTAG programming port are inactive during power down.
5. $\overline{RCS} = 0$, $\overline{WCS} = 0$ and $\overline{OE} = 0$. These signals can toggle during and after power down.
6. All flags remain active and maintain their current states.
7. During power down, all outputs will be in high-impedance.
8. $WDH = WD4$ before power down.

Figure 35. Power Down Operation

ORDERING INFORMATION



NOTE:

1. Industrial temperature range product for the 6-7ns speed grade is available as a standard device. All other speed grades are available by special order.

DATASHEET DOCUMENT HISTORY

12/01/2003	pgs. 1, 5, 11, and 29.
03/22/2005	pgs. 1, 3, 6, 10-12, and 56.
02/20/2009	pg. 56.



CORPORATE HEADQUARTERS
6024 Silver Creek Valley Road
San Jose, CA 95138

for SALES:
800-345-7015 or 408-284-8200
fax: 408-284-2775
www.idt.com

for Tech Support:
408-360-1533
email: Flow-Controlhelp@idt.com