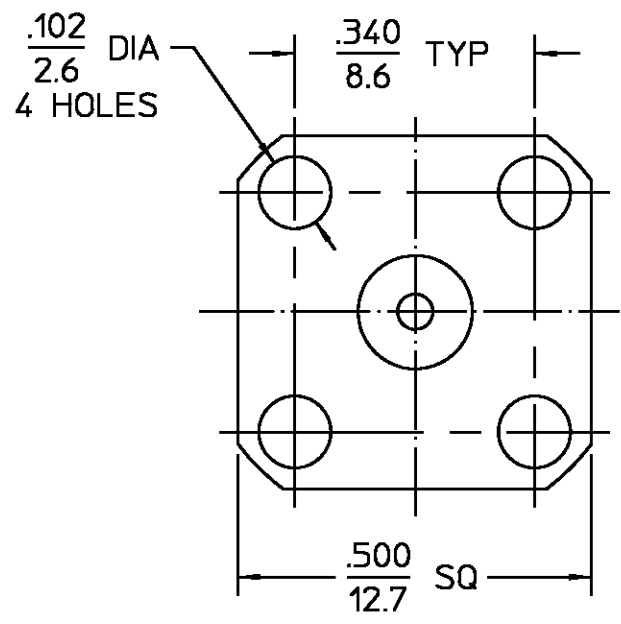


REVISIONS			
REV	DESCRIPTION	DATE	APPROVED
01 ₀	RELEASED	3/7/97	S. Morby



ELECTRICAL	MECHANICAL	ENVIRONMENTAL	HOUSING	DIELECTRIC	CENTER CONTACT	COMPONENT	MATERIAL	FINISH
Nominal Impedance (Ohms) <u>50</u>	Interface Dimensions MIL-STD-348A, Fig. 310.2	Temperature Rating <u>-65°C to +125°C</u>	BRASS, PER ASTM-B-16 HALF HARD OR CZ121 PER BS2874	TFE FLUOROCARBON PER ASTM-D-1457	BERYLLIUM COPPER PER ASTM-B-196 OR ASTM-B-197 ALLOY C17300, CONDITION H			WHITE BRONZE PLATE
Frequency Range (GHz) <u>DC to 6</u>	Recommended Mating Torque <u>3-5 in-lbs (0.34-0.57 Nm)</u>	Vibration MIL-STD-202, Method 204, Condition D						N/A
Volt Rating (VRMS MAX) @ Sea Level <u>335</u>	Mating Characteristics: Insertion (MAX Lbs) <u>3.0 (1.36 Kg)</u>	Shock MIL-STD-202, Method 213, Condition I						GOLD PLATE
VSWR <u>1.40:1</u>	Withdrawal (MIN Oz) <u>1.0 (28.35 g)</u>	Thermal Shock MIL-STD-202, Method 107, Condition A						
Insertion Loss (dB MAX) <u>.07√f(GHz)</u>	Force to Engage and Disengage (in-Lbs MAX) <u>2.0 (0.23 Nm)</u>	Moisture Resistance MIL-STD-202, Method 106, except step 7b is omitted. No measurement at high humidity. Insulation resistance shall be at least 200 Megohms within 5 minutes after removal from humidity.						
RF Leakage (dB MIN) <u>-90 @ 2 to 3 GHz</u>	Center Contact Captivation Axial (Lbs) <u>6.0 (2.7 Kg) MIN FROM INTERFACE</u>							
Corona, 70,000 Ft (VRMS MIN) <u>250</u>	Axial (Lbs) <u>4.0 (1.8 Kg) MIN FROM FLANGE</u>							
Dielectric Withstanding Voltage (VRMS MIN) @ Sea Level <u>1000</u>	Radial (In-Oz) <u>4.0 (0.028 Nm)</u>							
Contact Resistance (Milliohms MAX) Center Contact <u>3.0</u>								
Outer Contact <u>2.0</u>								
Cable to Housing <u>N/A</u>								
RF High Potential @ Sea Level (VRMS MIN @ 5 MHz) <u>670</u>								
I.R.(Megohms MIN) <u>5,000</u>	Weight (Grams) <u>TBD</u>							

UNLESS OTHERWISE SPECIFIED DIMENSIONS ARE IN INCHES TOLERANCE ON

FRAC.	DEC.	ANGLES
$\pm 1/64$	$\pm .005$	$\pm 1^\circ$

DRAWN BY S. Morby DATE 01/13/97
CHECKED BY
APP'D BY

AMP Incorporated
140 Fourth Avenue
Waltham, MA 02451-7599

AMP

These drawings and specifications are the property of M/A-COM Interconnect Division and shall not be reproduced or copied or used in whole or in part as the basis for the manufacture or sale of item(s) without written permission.

USE ASS'Y PROCEDURE
NO. AP. N/A

TITLE SMA.com 4 HOLE FLANGE MOUNT JACK RECEPTACLE, STRAIGHT TERMINAL

SIZE <u>B</u>	CODE IDENT NO. <u>26805</u>	<u>2252-1901-36</u>	REV <u>01₀</u>
SCALE <u>4:1</u>		SHEET <u>1</u> OF <u>1</u>	