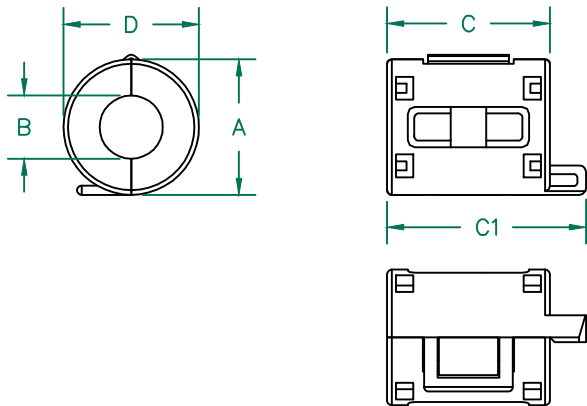


**CORE DIMENSIONS:**

|   |              |               |
|---|--------------|---------------|
| A | 12.00 [.472] | + 0.33 [.013] |
| B | 7.00 [.276]  | + 0.13 [.005] |
| C | 15.00 [.591] | + 0.25 [.010] |
| D | 5.54 [.218]  | + 0.20 [.008] |
| E | 4.62 [.182]  | + 0.30 [.012] |

Weight/1000 5.11 kgs 11.26 lbs.  
(Per Pair)



**CASE DIMENSIONS:**

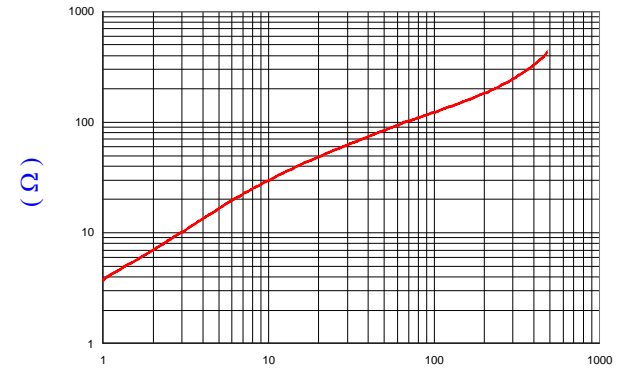
|    |              |               |
|----|--------------|---------------|
| A  | 15.00 [.591] | + 0.30 [.012] |
| B  | 7.00 [.276]  | + 0.20 [.008] |
| C  | 18.00 [.709] | + 0.30 [.012] |
| C1 | 22.00 [.866] | + 0.38 [.015] |
| D  | 15.00 [.591] | + 0.38 [.015] |

**UNCONTROLLED DOCUMENT**



| IMPEDANCE ( Z ) |        |         |         |
|-----------------|--------|---------|---------|
| Frequency       | 25 MHz | 100 MHz | 300 MHz |
| Nominal (REF)   | 56 Ω   | 123 Ω   | 246 Ω   |
| Minimum         | - Ω    | 98 Ω    | - Ω     |

**Z vs. FREQUENCY**  
(REF. ONLY)



**FREQUENCY (MHz)**

AGILENT E4991A Impedance/Material Analyzer  
HP 16092A-Test Fixture

**NOTES:**

1. CASE FLAMMABILITY RATING: UL94 V-0
2. CASE MATERIAL: HALOGEN FREE NYLON
3. ASSEMBLED PART #: 28A1507-0A2
4. CORE PART #: 28A1507-000
5. CASE COLOR: BLACK - "0A2"
6. COSMETIC SPECIFICATION REFER TO WI-QA-038.

| DIMENSIONS ARE IN mm [INCHES]. |                                 |          |     | This print is the property of Laird Tech. and is loaned in confidence subject to return upon request and with the understanding that no copies shall be made without the written consent of Laird Tech. All rights to design or invention are reserved. |        | <b>Laird</b>    |           |
|--------------------------------|---------------------------------|----------|-----|---|--------|-----------------|-----------|
|                                |                                 |          |     | PROJECT/PART NUMBER:  | REV    | PART TYPE:      | DRAWN BY: |
|                                |                                 |          |     | 28A1507-0A2   | B      | FERRITE SNAP-ON | TMB       |
| B                              | UPDATE COMPANY LOGO ,ADD NOTE 6 | 08/23/14 | QIU | DATE:   | SCALE: | NTS             | MATERIAL: |
| A                              | ORIGINAL DRAFT                  | 10/21/08 | TMB | 10/21/08  |        |                 | Ferrite   |
| REV                            | DESCRIPTION                     | DATE     | INT | CAD #   | TOOL # | -               |           |
|                                |                                 |          |     | 28A1507-0A2-B   |        |                 |           |