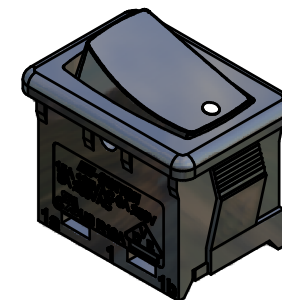
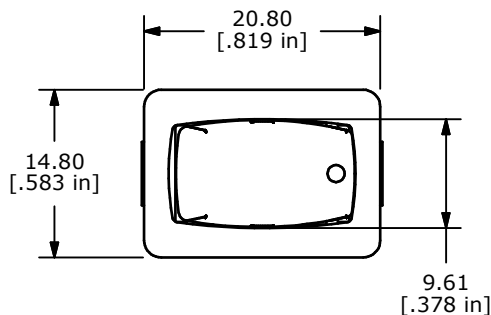


RECOMMENDED PANEL MOUNTING

PANEL THICKNESS	X
0.75-1.25	19.2-19.3
1.25-2.00	19.3-19.4
2.00-3.00	19.5-19.6



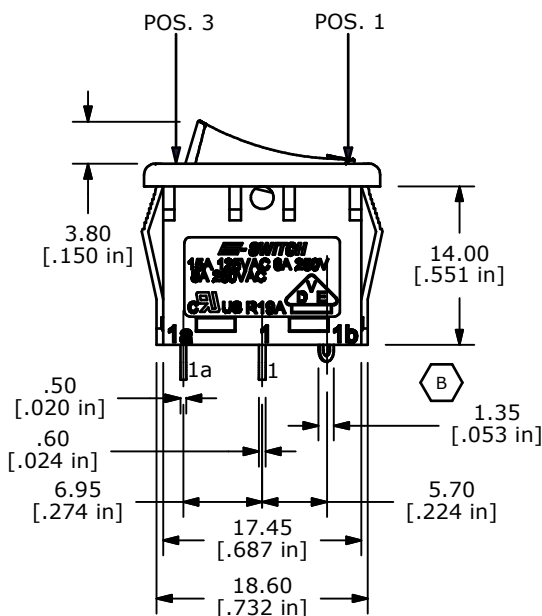
SWITCH FUNCTION		
POS. 1	POS. 2	POS. 3
ON	NONE	OFF
1-1a	N/A	OPEN



CIRCUIT: SPST

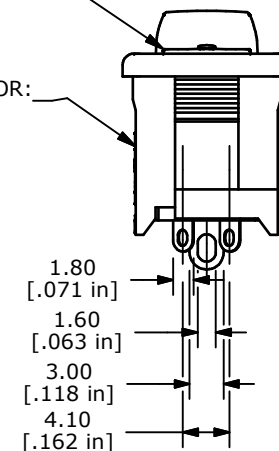
NOTES:

- ALL DIMENSIONS IN MM [INCH]
- GENERAL TOLERANCE: X.X=±0.4
X.XX=±0.25
- TERM. NOS. FOR REF. ONLY
- RATING: 8A @ 250VAC
15A @ 125VAC
- CONTACT MATERIAL: SILVER
- ELECTRICAL LIFE: 10,000 CYCLES MIN.
- CONTACT RESISTANCE: <20 MILLI-OHMS INITIAL
- DIELECTRIC STRENGTH: >1,500VAC FOR 1 MIN.
- ▲ DENOTES CRITICAL PARAMETER.
- 2002/95/EC (ROHS) COMPLIANT



▲ ACTUATOR COLOR:
BLACK

▲ HOUSING COLOR:
BLACK



B	19359	UPDATE HOUSING	11/02/10	BMA
A	16413	RELEASED FOR PRODUCTION	9/7/06	BO
REV	PCR NO	DESCRIPTION	DATE	BY

TITLE R1966ABLKBLKAS				
SCALE	DATE	DR	DWG	REV
1.5:1	9/7/2006	BO	M300011	B

THE INFORMATION CONTAINED IN THIS DOCUMENT IS PROPRIETARY TO E-SWITCH AND IS NOT TO BE COPIED OR TRANSFERRED