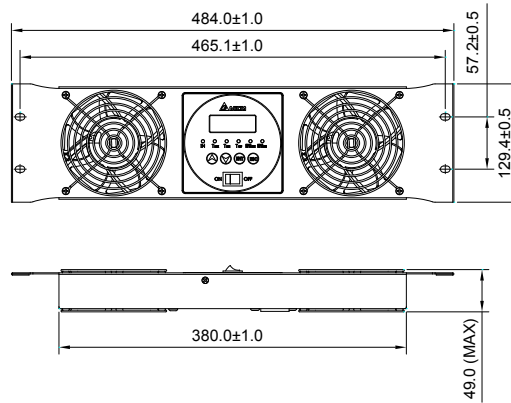


New



FTA 484 x 49 x 130 MM SERIES

■ DIMENSIONS DRAWING

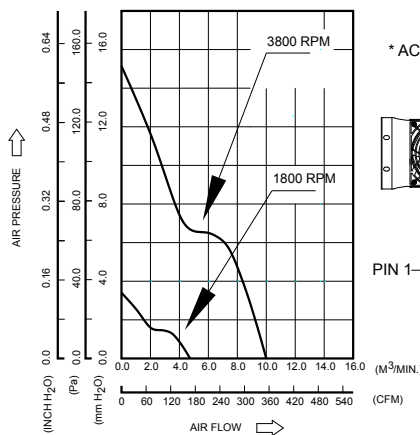


UNIT: $\frac{\text{mm}}{\text{(INCH)}}$

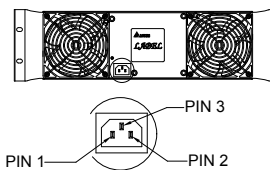
- * Bearing Type
Ball Bearings
- * FAN Material
Impeller & Frame : Plactic (UL 94V-0)
- * FAN TRAY CASE Material : SPCC
- * Weight : 1500g (53.95 OZ)
- * Vertical Mount for front Back Cooling
- * Real-Time Temperature Display
- * FAN Fault & Over Temperature Alarm
- * Air Flow Redundancy
- * Temperature / Fan Speed Setting

■ P & Q CURVE (AT RATED VOLTAGE)

■ MOUNTING PANEL CUTOUT



* AC POWER INPUT :



FTA0302AA PIN ASSIGNMENT	
BACKPLANE SOCKET C14 SK-1015	
PIN 1	LINE(L)
PIN 2	NATURE(N)
PIN 3	GROUND(±)

MODEL		Rated Voltage	Operating Voltage Range	Rated Current	Rated Input Power	Speed	Maximum Air Flow		Maximum Air Pressure		Noise
PART NO.	REV.	AC	AC	Amp	Watt	R.P.M.	m ³ /min	CFM	mmH ₂ O	IN H ₂ O	dB-A
FTA0302AA		110 or 220	100 to 240	0.65	65	1800/3800	9.84	335	14.2	0.056	63

- * Function type is optional.
- * The max. air flow and the speed are measured in free air ; max. air pressure is measured at zero air flow.
- * Noise is measured in anechoic chamber in free air, one meter from intake side.
- * All readings are typical values at rated voltage.
- * Specifications are subject to change without notice.