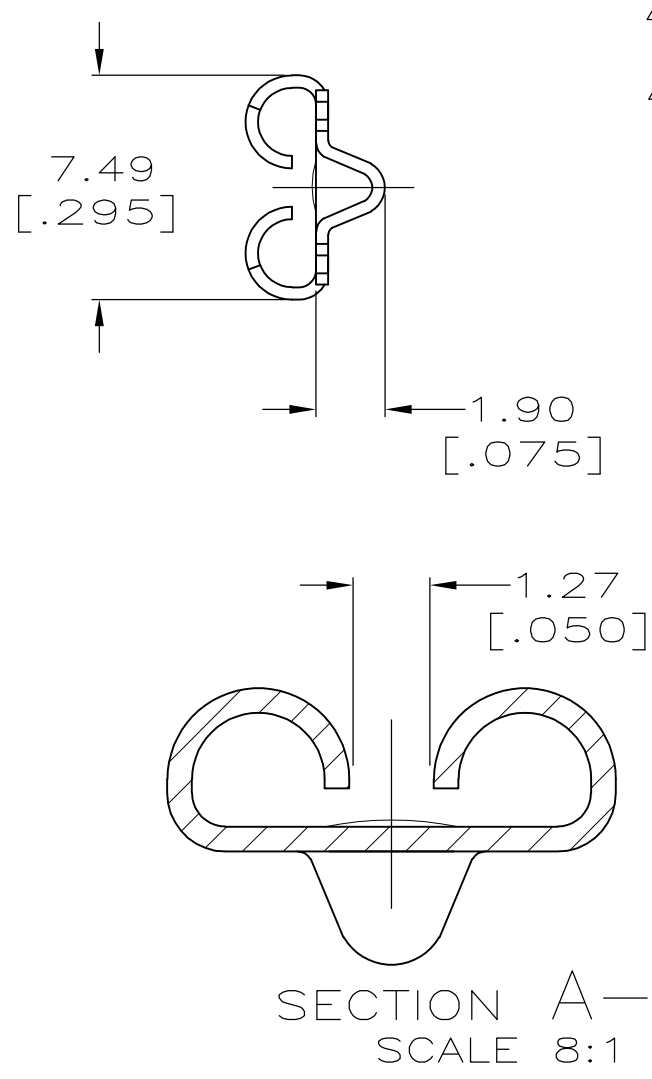
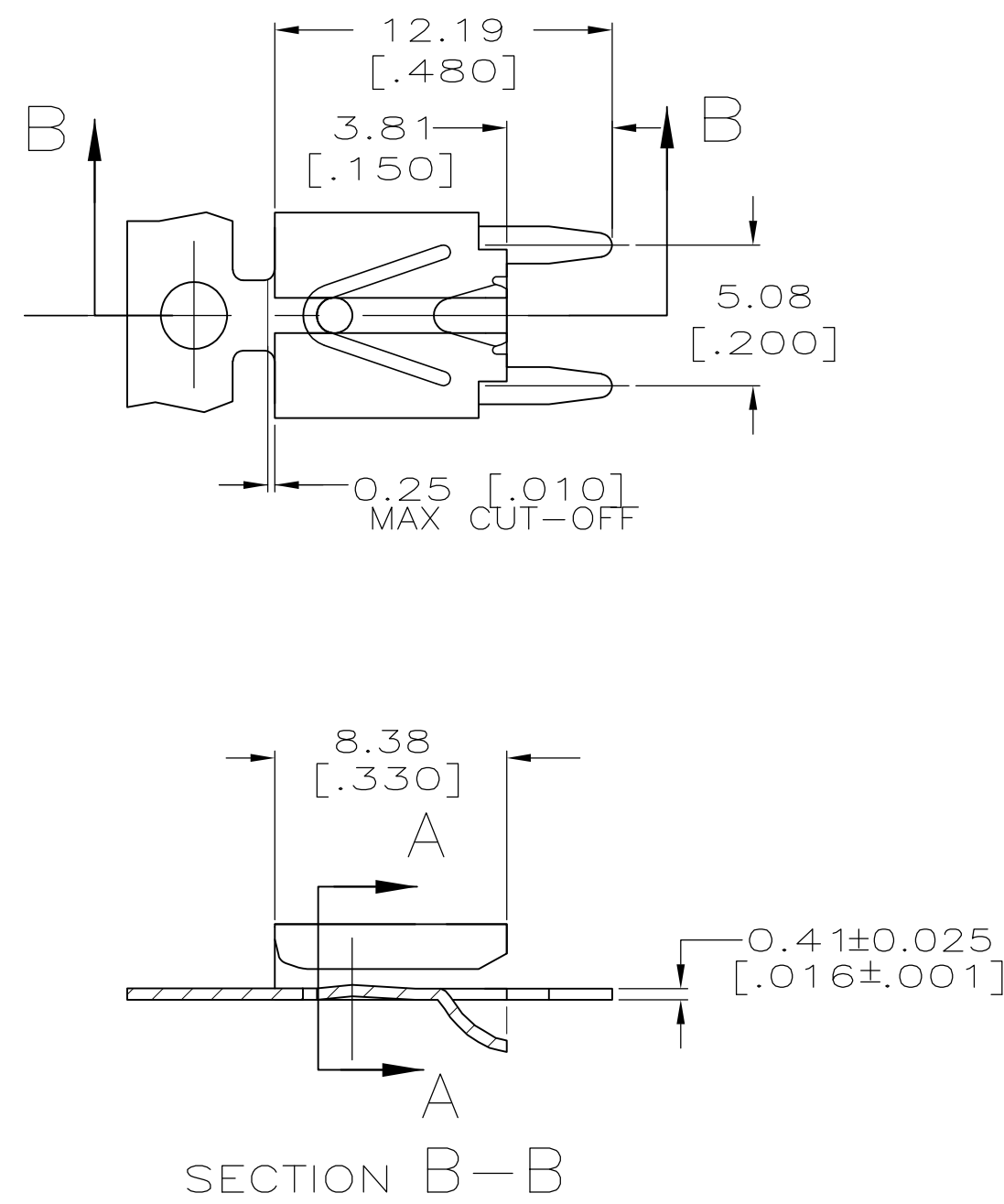
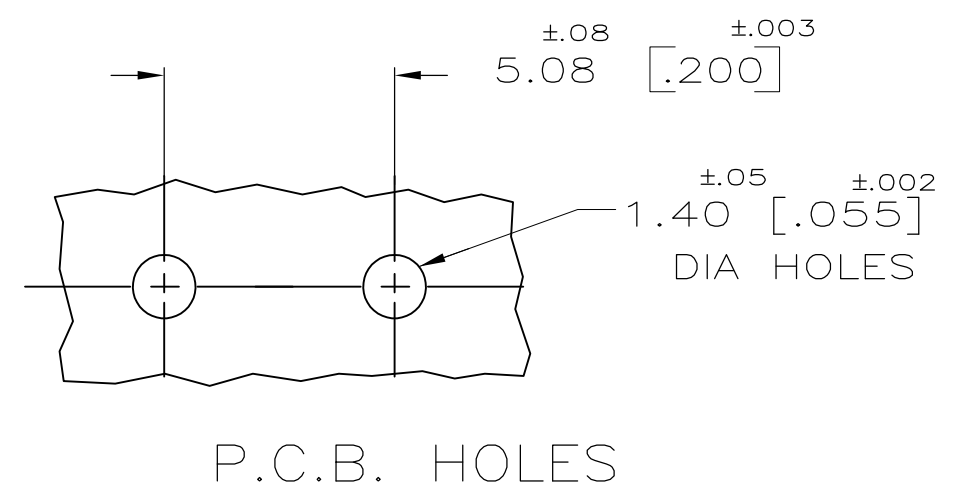


THIS DRAWING IS UNPUBLISHED. RELEASED FOR PUBLICATION  
 © COPYRIGHT - By - ALL RIGHTS RESERVED.

LOC	DIST	REVISIONS			
P	LTR	DESCRIPTION	DATE	DWN	APVD
AF	50	D1	REV PER ECO 12-020692	27NOV12	JR PD



- 1 CONTINUOUS STRIP ON REELS.
- 2 0.00254 [.000100] MIN THK TIN OVER 0.00127 [.000050] MIN NICKEL
- 3 MATING TAB THK IS 0.635±0.025 [.025±.001].
- 4 REELED WITH INTERLEAVING
- 5 PRELIMINARY - NOT FOR PRODUCTION



4	5	63994-2
		63994-1
		PART NO.

THIS DRAWING IS A CONTROLLED DOCUMENT.		DWN	JR RUTH	3/12/97	<b>STE</b> TE Connectivity		
DIMENSIONS: MM [ INCHES ]		CHK	MS FEHER	3/12/97			
TOLERANCES UNLESS OTHERWISE SPECIFIED:		APVD	DAVE BRATINA	3/12/97	NAME		
0 PLC	± -	PRODUCT SPEC		RECEPTACLE, FASTON, 6.35/5.21 [.250/.205] SERIES, PC BOARD MOUNTED			
1 PLC	± -	APPLICATION SPEC		-			
2 PLC	± 0.25 [.010]	SIZE	A3	CAGE CODE	00779	DRAWING NO	C-63994
3 PLC	± -	WEIGHT		RESTRICTED TO			
4 PLC	± -	MATERIAL		-			
ANGLES	± -	FINISH		-			
H04 BRASS		TIN OVER NICKEL 2		CUSTOMER DRAWING		SCALE	4:1
						SHEET	1 OF 1
						REV	D1