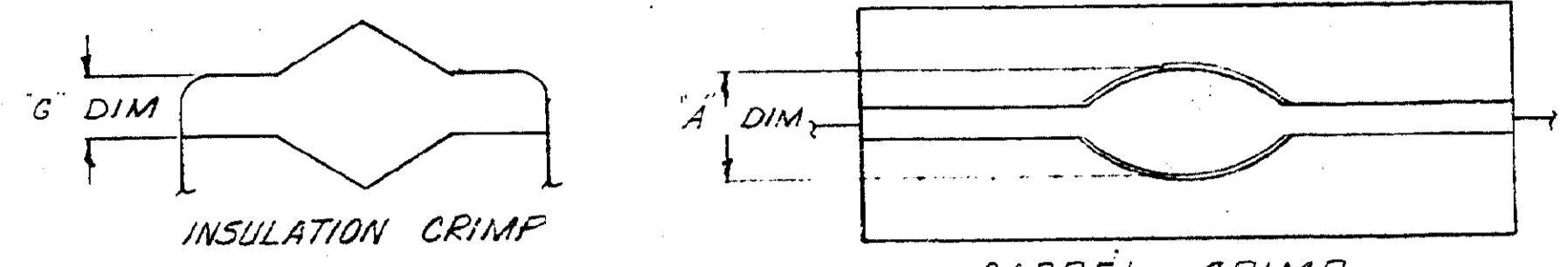


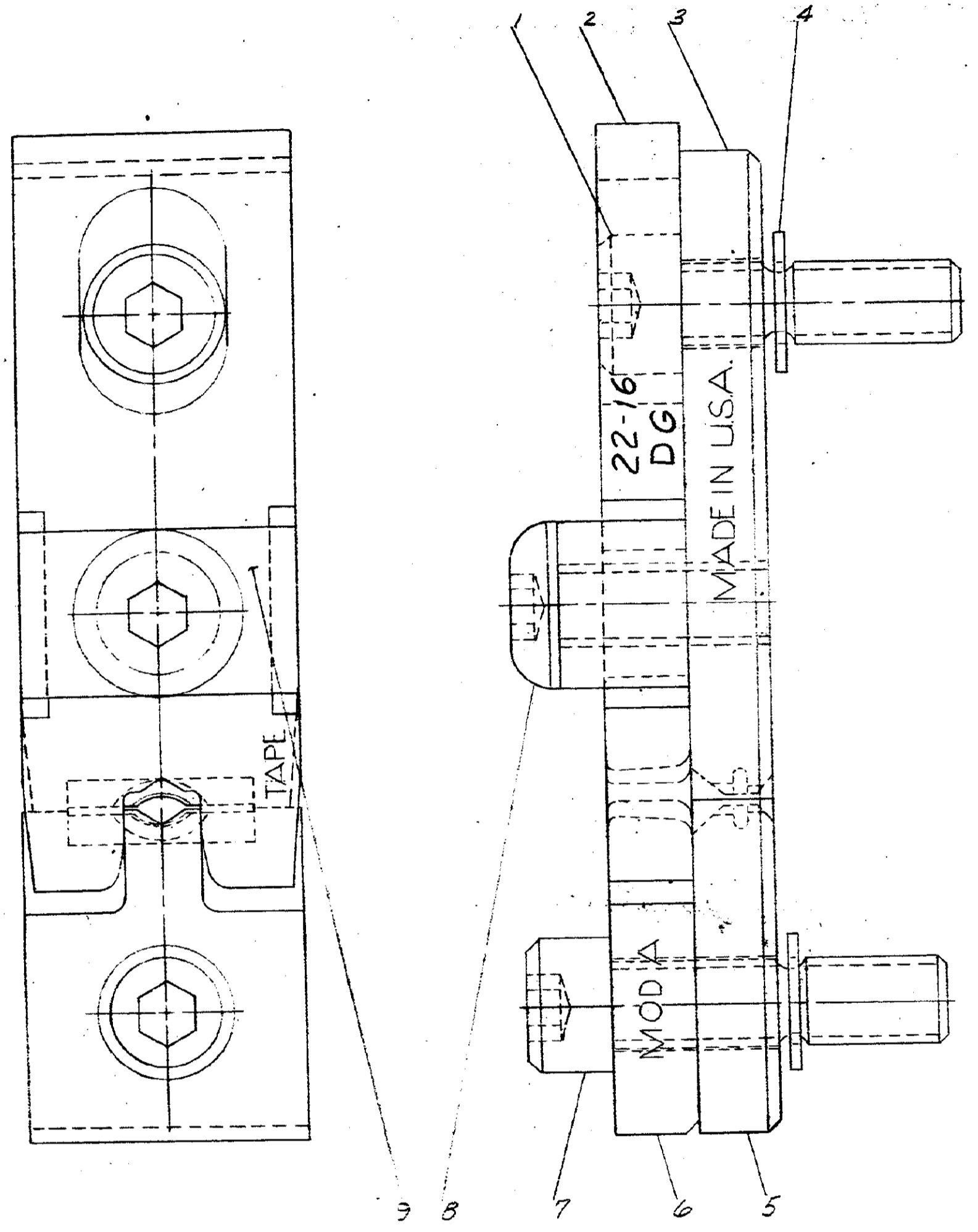
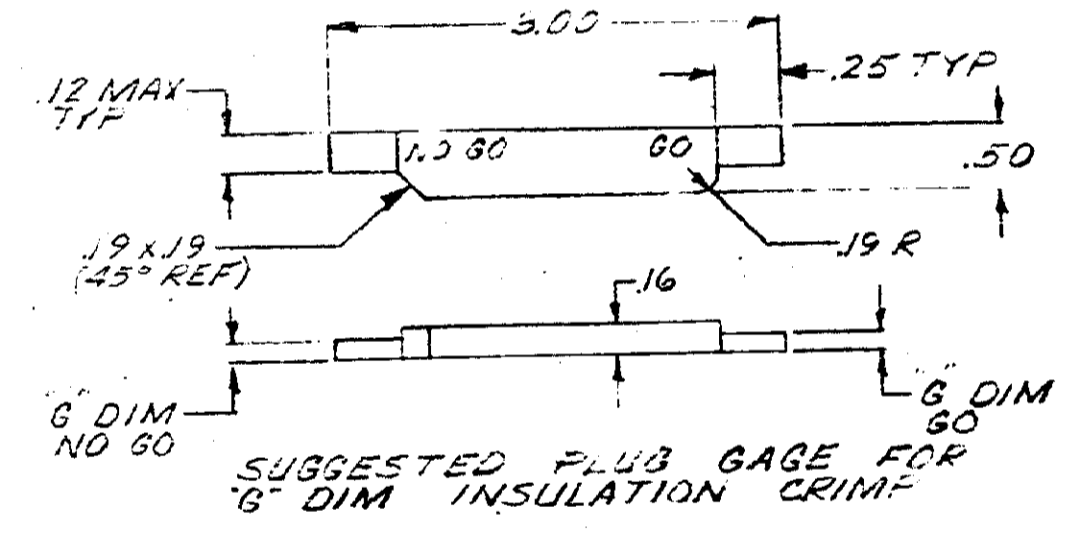
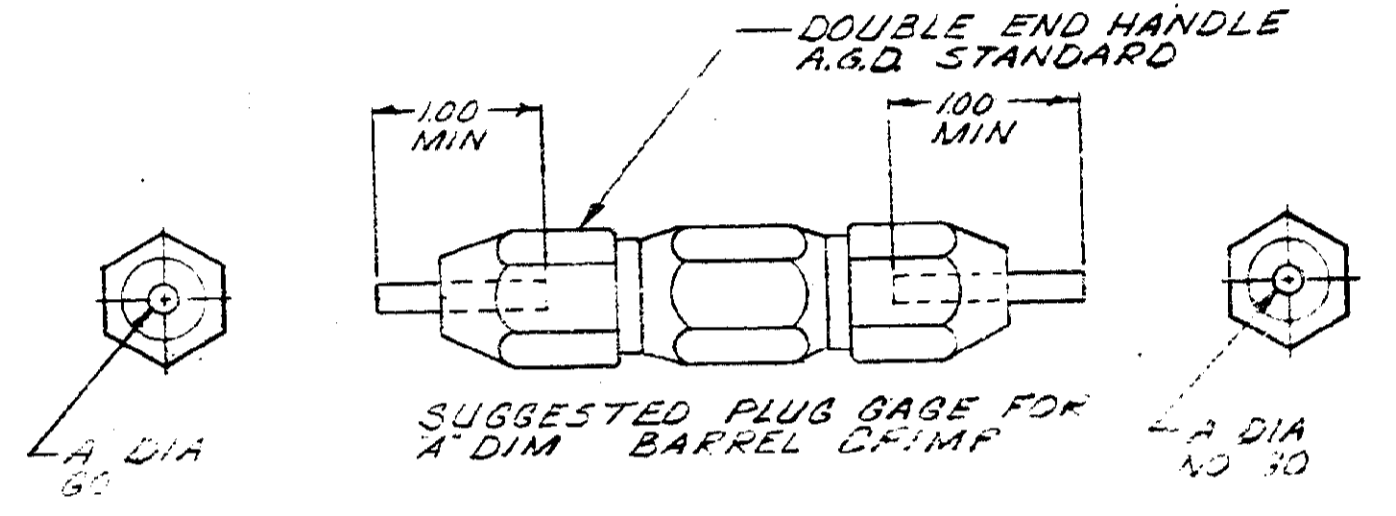
NUMBER 69903

PLUG GAGE DIMENSIONS APPLY WHEN TOOL IS  
BOTTOMED BUT NOT UNDER PRESSURE.



ENLARGED VIEW OF CRIMPS

G DIM AT POS #1		A DIM	
GO	NO GO	GO	NO GO
.030	.050	.069	.075



SUPERSEDED BY IS-2423

ITEM NO.	NUMBER	NAME	REMARKS
9	307275-1	SADDLE	
8	2-59577-9	SCREW (10-32 UNF-3A X .470 LONG)	
7	59781-6	SCREW-SPECIAL	
6	3-59619-3	ANVIL-INSULATION	
5	307213-3	INSERT-BARREL LOWER	
4	21-21046-3	RING-RETAINING	
3	307212-3	INSERT-BARREL-UPPER	
2	1-307285-1	INDENTER-INSULATION	
1	59781-2	SCREW	

REQUIRED PER ASSEMBLY	NUMBER	NAME	REMARKS	ITEM NO.
© 1969 BY AMP INCORPORATED. ALL RIGHTS RESERVED. AMP PRODUCTS COVERED BY PATENTS AND/OR PATENTS PENDING.				
DR B. Shenfeld 12-16-69 CHK J. J. [Signature] 12-16-69 DE [Signature]		MATERIAL AND FINISH + +		CUSTOMER COPY REFERENCE ONLY <b>AMP</b> AMP INCORPORATED HARRISBURG, PENNA.
WIRE - RANGE - INSULATION 22-16 + +		TYPE CROSS CRIMP D.G.		USED ON 69A75
TOLERANCE EXCEPT AS NOTED = .015 = 1" 0'		SCALE 4-1	LOC M C	NO. 69903
NAME [Signature]		DIE ASSEMBLY MOD A		

REVISION	DATE	BY	CHKD
1	12-16-69	B. Shenfeld	J. J. [Signature]
2	12-16-69	J. J. [Signature]	[Signature]

DIMENSIONS IN INCHES. DO NOT SCALE PRINT.