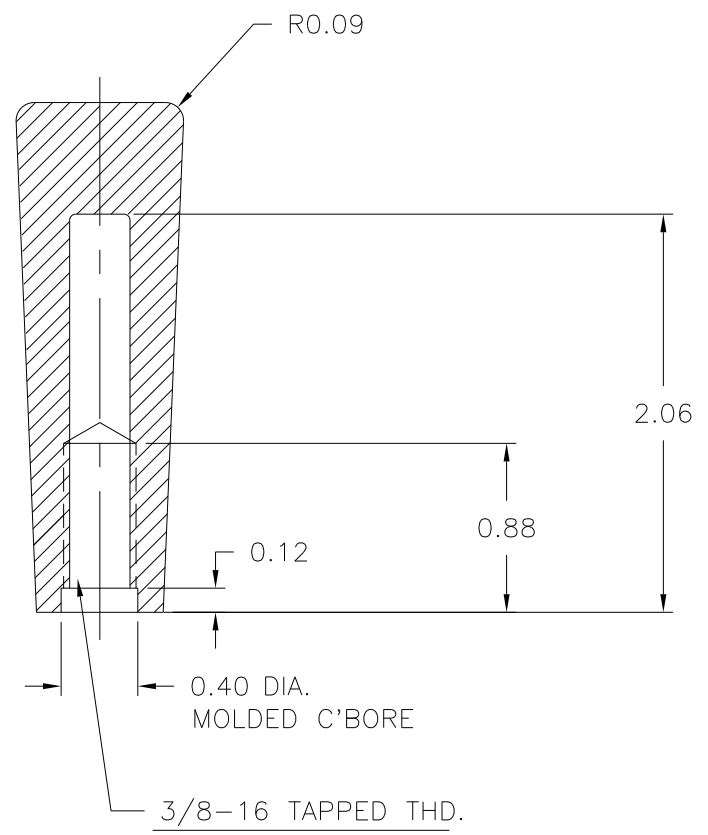
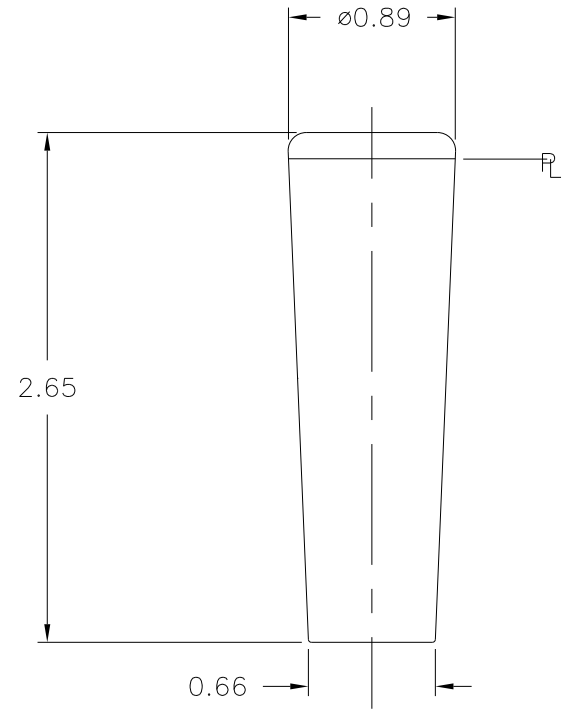


CAD/REDRAWN : 6/22/93 : HD

NOTE: DURING TAPPING OPERATION  
STD.THREAD SCREW FIT REQ'D.  
FOR, PROPER FIT



MATERIAL: G.P. PHENOLIC (B11)  
COLOR: BLACK

TOLERANCES: UNLESS OTHERWISE SPECIFIED	DO NOT SCALE DRAWING			
DECIMALS: X.XXX ± .005 X.XX  ± .015	MM: X.XX ± 0.15MM X.X  ± 0.4MM	-	UPDATED TOOLBOX	JAM 1/17/03
FRACTIONS ± 1/64	ANG. ± 1°	CHANGES		