

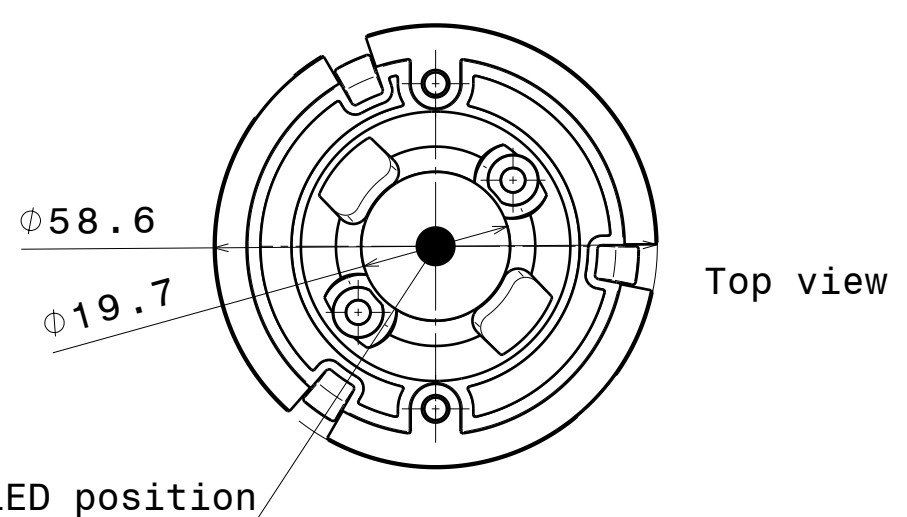
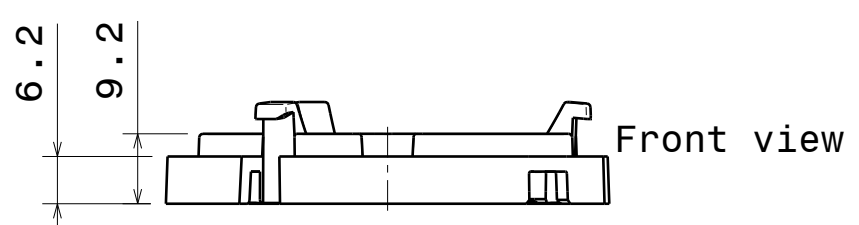
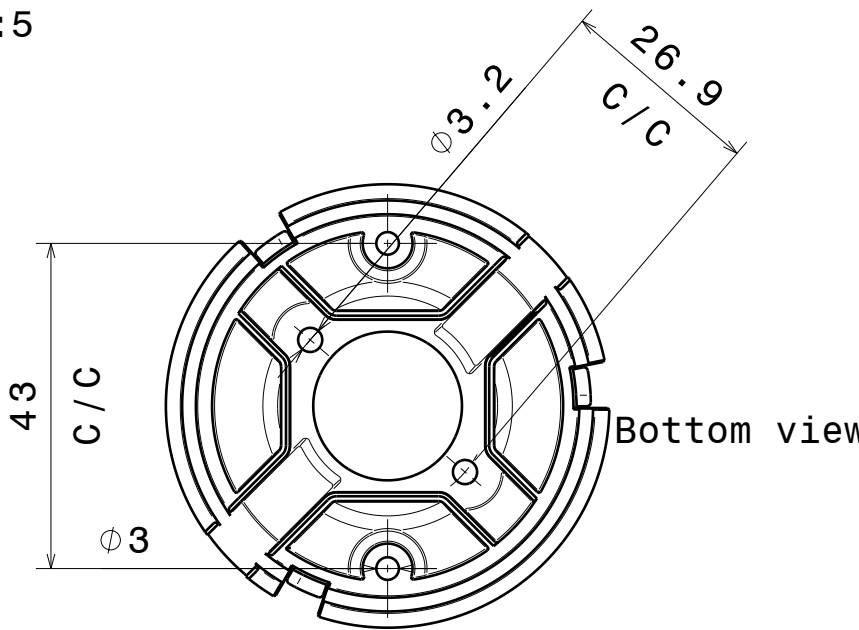
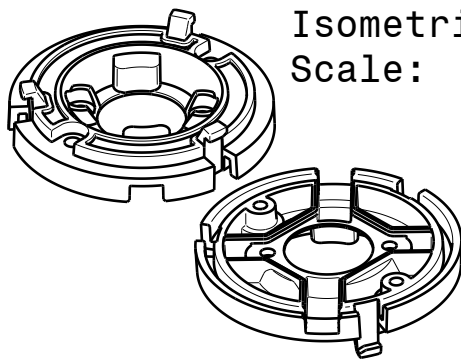
D

C

B

A

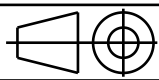
Isometric view  
Scale: 3:5



Tolerances if not otherwise shown  
According to DIN ISO 2768-1  
Linear measures:  
Up to 30mm class M, otherwise class C.  
According to DIN ISO 2768-2  
Form and position: class L

**LEDiL** LediL Oy  
Salorankatu 10  
FIN 24240 SALO  
Finland

THIRD ANGLE PROJECTION:



DRAWING TITLE  
**C12153\_LENA-STD-BASE\_BXRA**

This drawing is the property  
of LEDiL Oy. It may not be  
reproduced, copied or  
communicated without a written  
agreement with LEDiL Oy."

SIZE PART NUMBER  
**A4 C12153**

SCALE 1:1 WEIGHT - SHEET 1/1

D

A

4

4

3

3

2

2

1

1