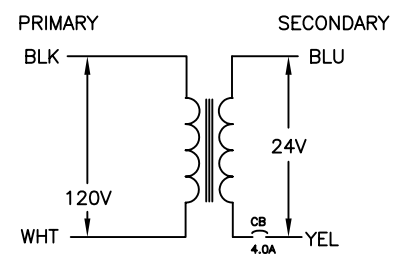
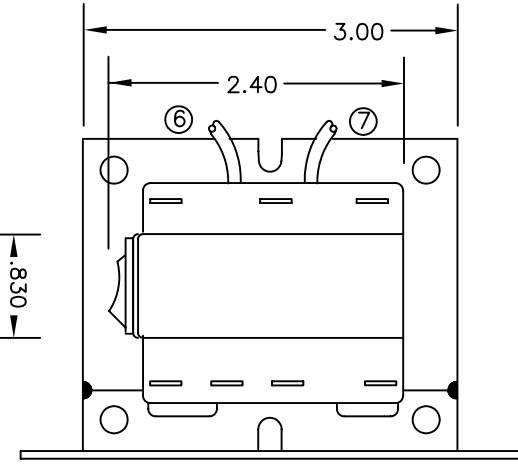
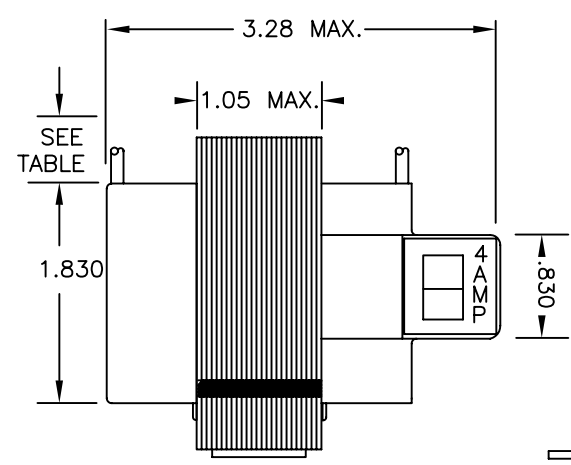
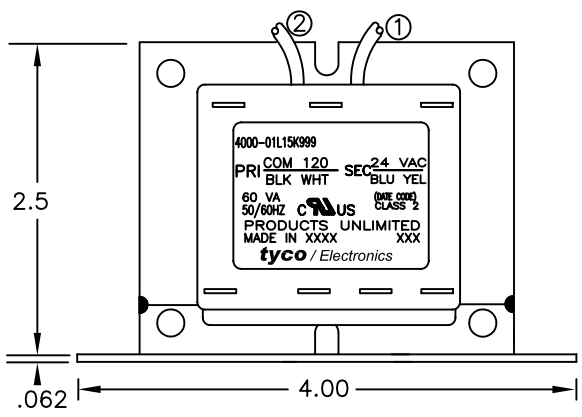


ALL LEADS 18AWG--UNLESS OTHERWISE SPECIFIED						NOTES		CERTIFICATION:UL/CUL FILE NO E87824				
PRIMARY						1. DIMENSIONS FOR REFERENCE ONLY.		SECONDARY				
LEAD NO.	1	2	3	4	5	2. WINDING PROTECTION--INHERENTLY LIMITING		LEAD NO.	6	7	8	9
VOLTAGE	COM	120						VOLTAGE	24	VAC		
COLOR	BLK	WHT						COLOR	BLU	YEL		
LENGTH	12.0	12.0						LENGTH	12.0	12.0		
STRIP LENGTH	.50	.50						STRIP LENGTH	.50	.50		



SCHEMATIC

4000-01L15K999
 PRI COM 120 SEC 24 VAC
 BLK WHT BLU YEL
 80 VA 50/60HZ CLASS 2
 PRODUCTS UNLIMITED
 MADE IN XXXX
 tyco / Electronics

TYCO PART NUMBER
 4-1672103-1

THIS DRAWING IS A CONTROLLED DOCUMENT.		DWN	K.H.	17JUN03	Tyco Electronics Corporation Harrisburg, PA 17105-3608
DIMENSIONS: INCHES		CHK	DH	17JUN03	
TOLERANCES UNLESS OTHERWISE SPECIFIED:		APVD	HT	17JUN03	
0 PLC ±- 1 PLC ±- 2 PLC ±- 3 PLC ±- 4 PLC ±- ANGLES ±-		PRODUCT SPEC		NAME	
MATERIAL	FINISH	APPLICATION SPEC		TRANSFORMER OUTLINE P.U. STOCK	
		WEIGHT	SIZE		CAGE CODE
			A3		00779
CUSTOMER DRAWING			DRAWING NO		RESTRICTED TO
			C=4000-01L15K999		
			SCALE	1:1	SHEET 1 OF 1
					REV 0