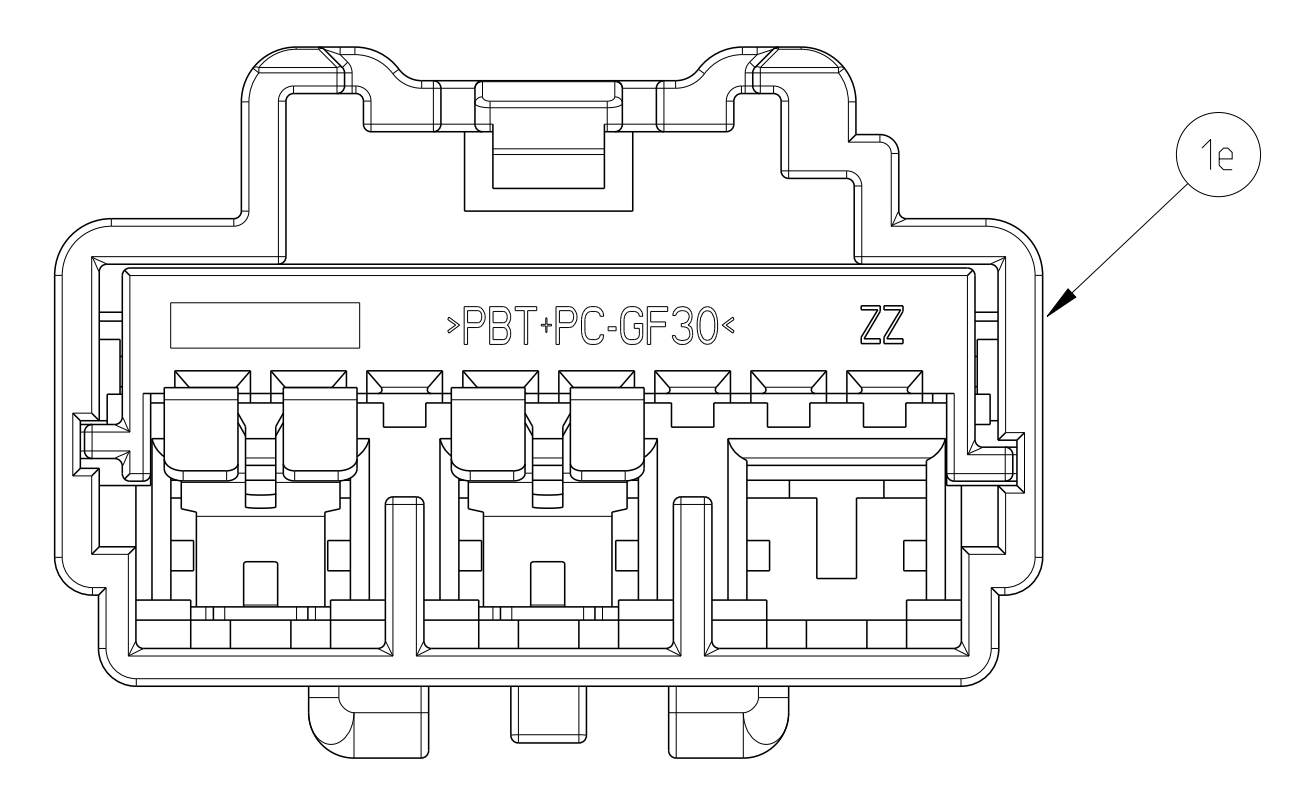
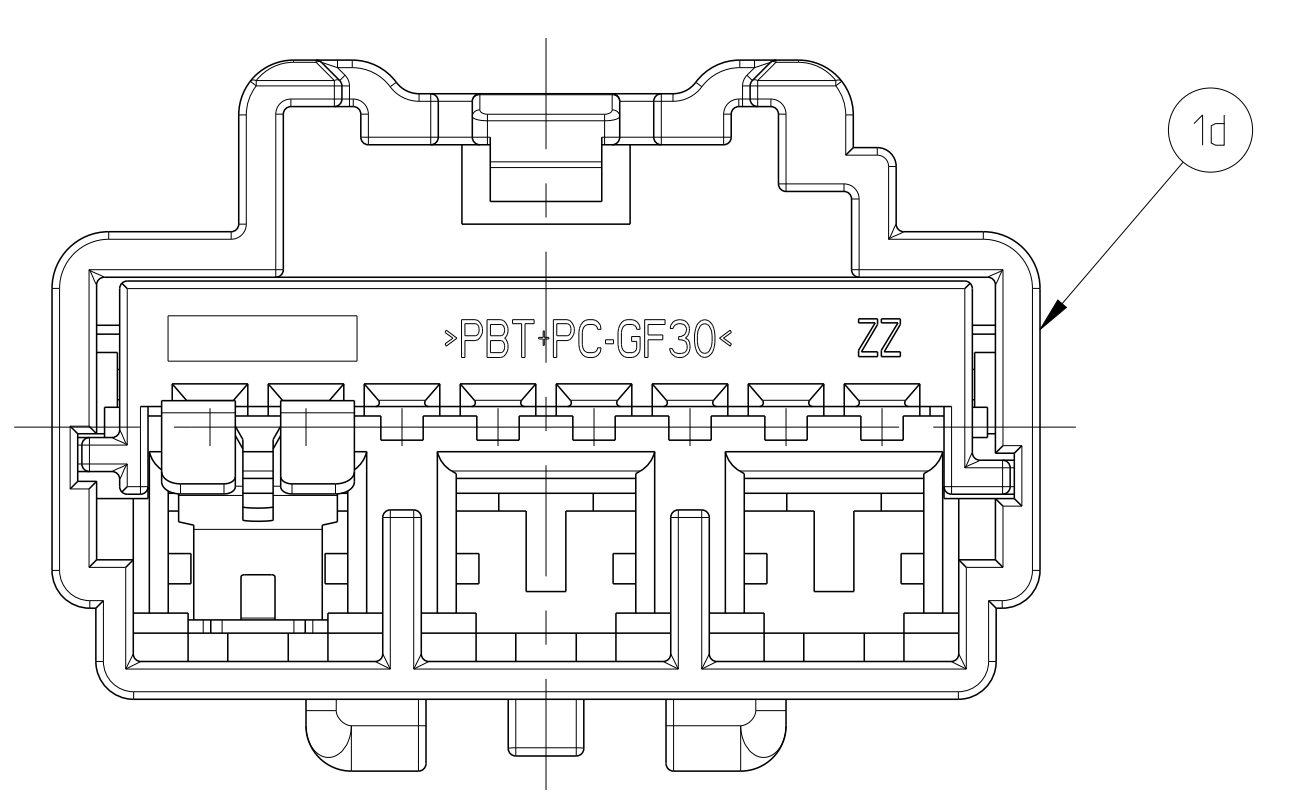


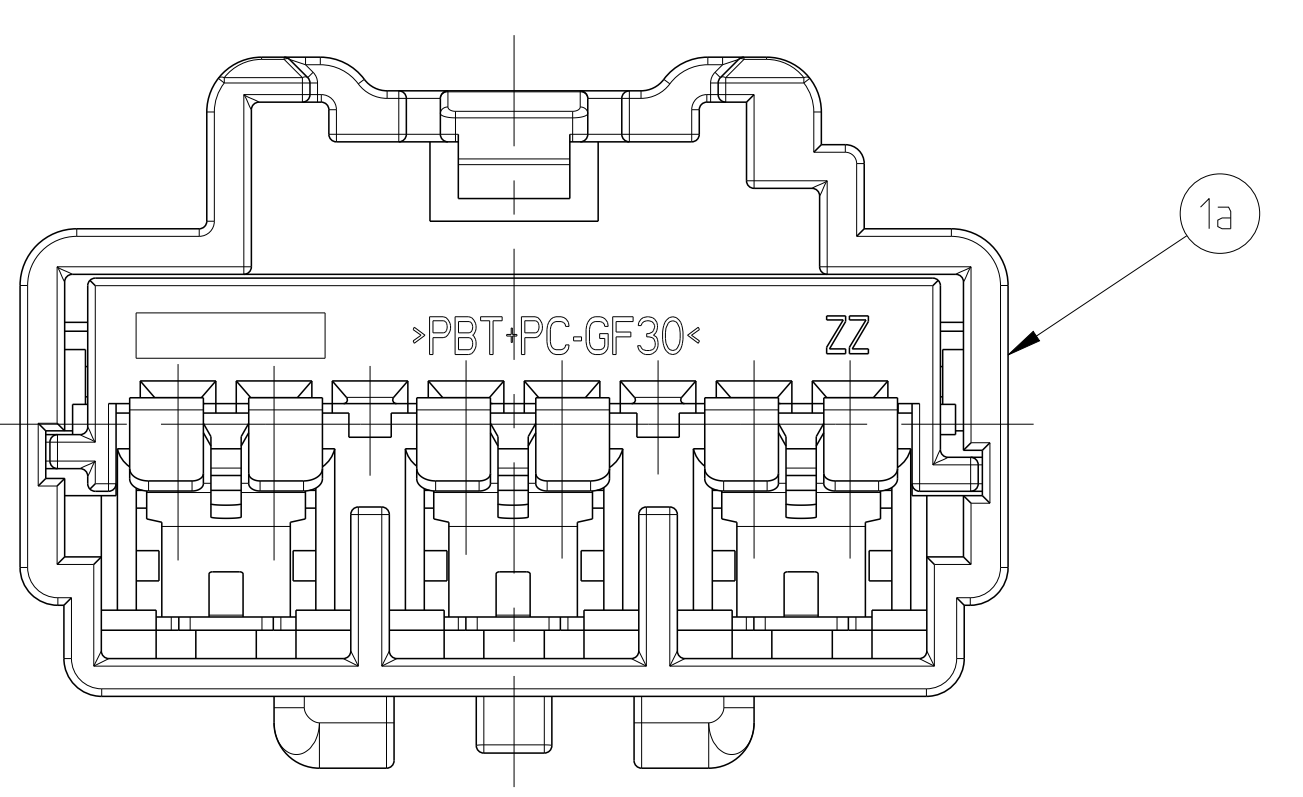
REV	DATE	DESCRIPTION	DATE	BY	APPD
B	SEE ECR-05-012572		1005/2005	CW	GS
B1	SEE ECR-13-002515		20MAR2013	SH	KR
B2	ECR-16-013268		16SEP2016	SH	GS



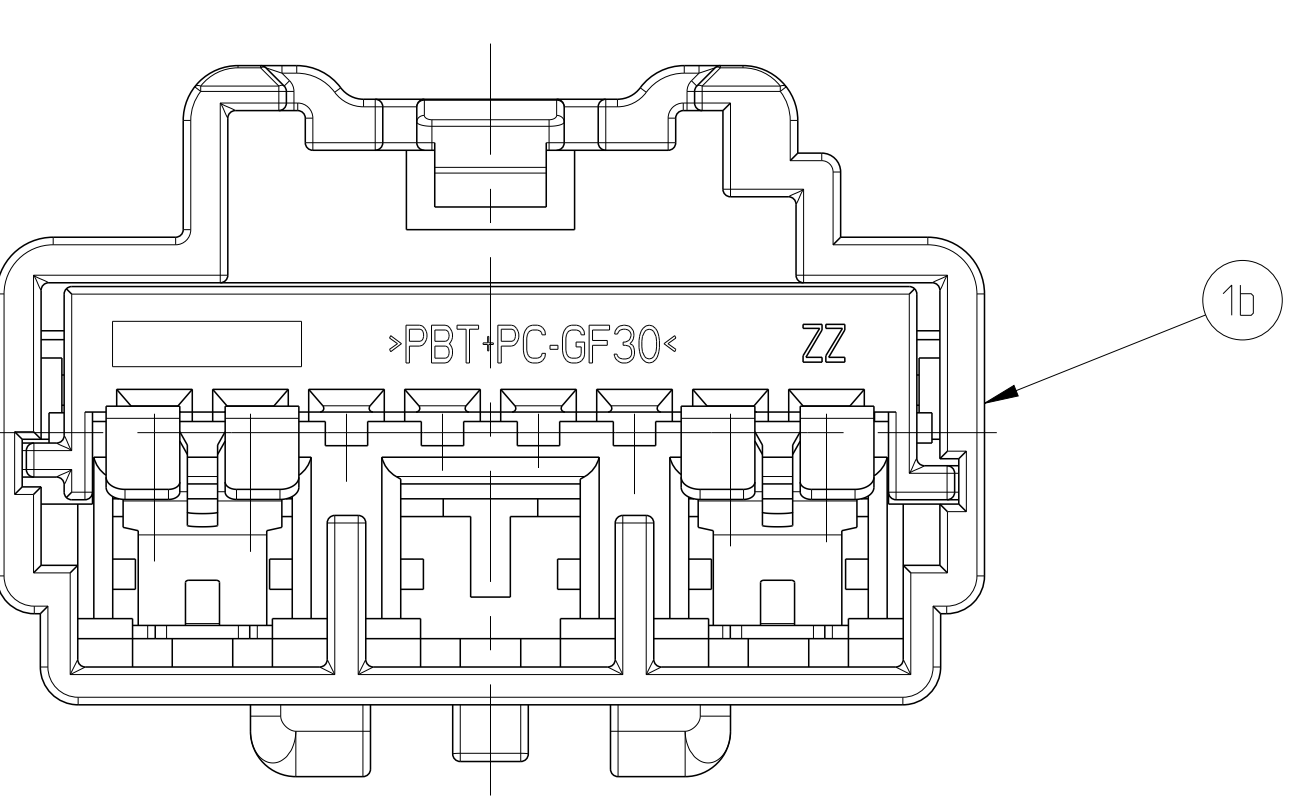
(B2)  
 CODING X  
 PN 3-1719040-1



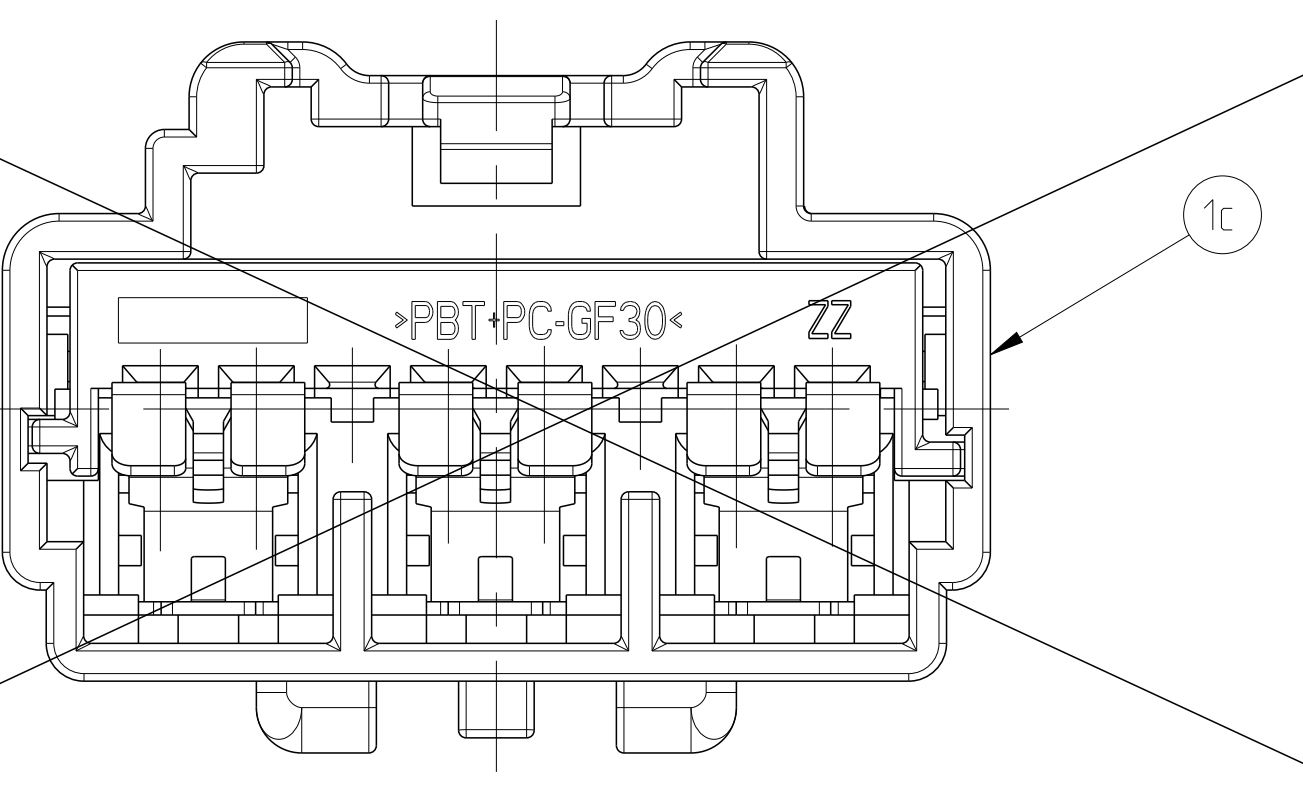
CODING X  
 PN 2-1719040-1



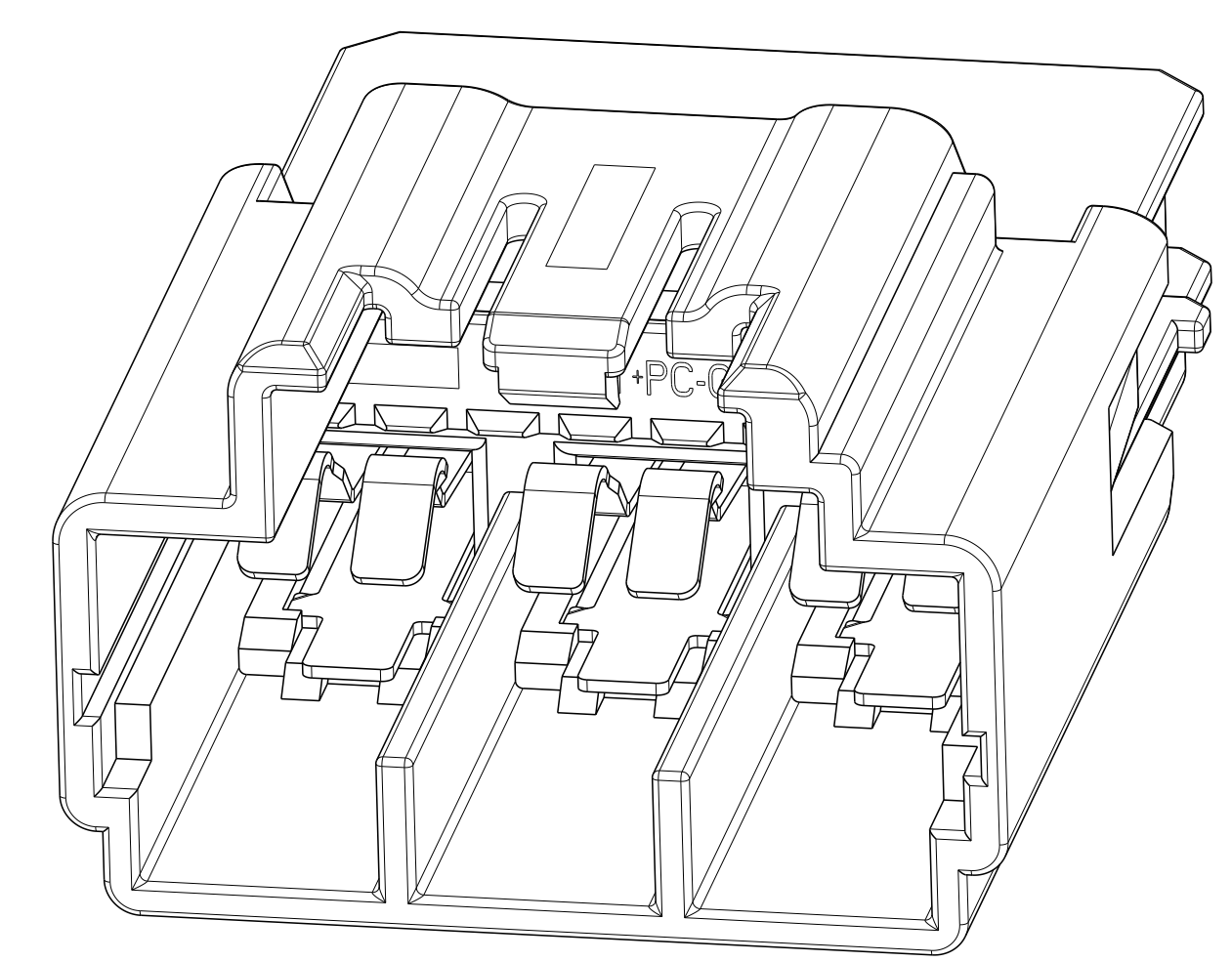
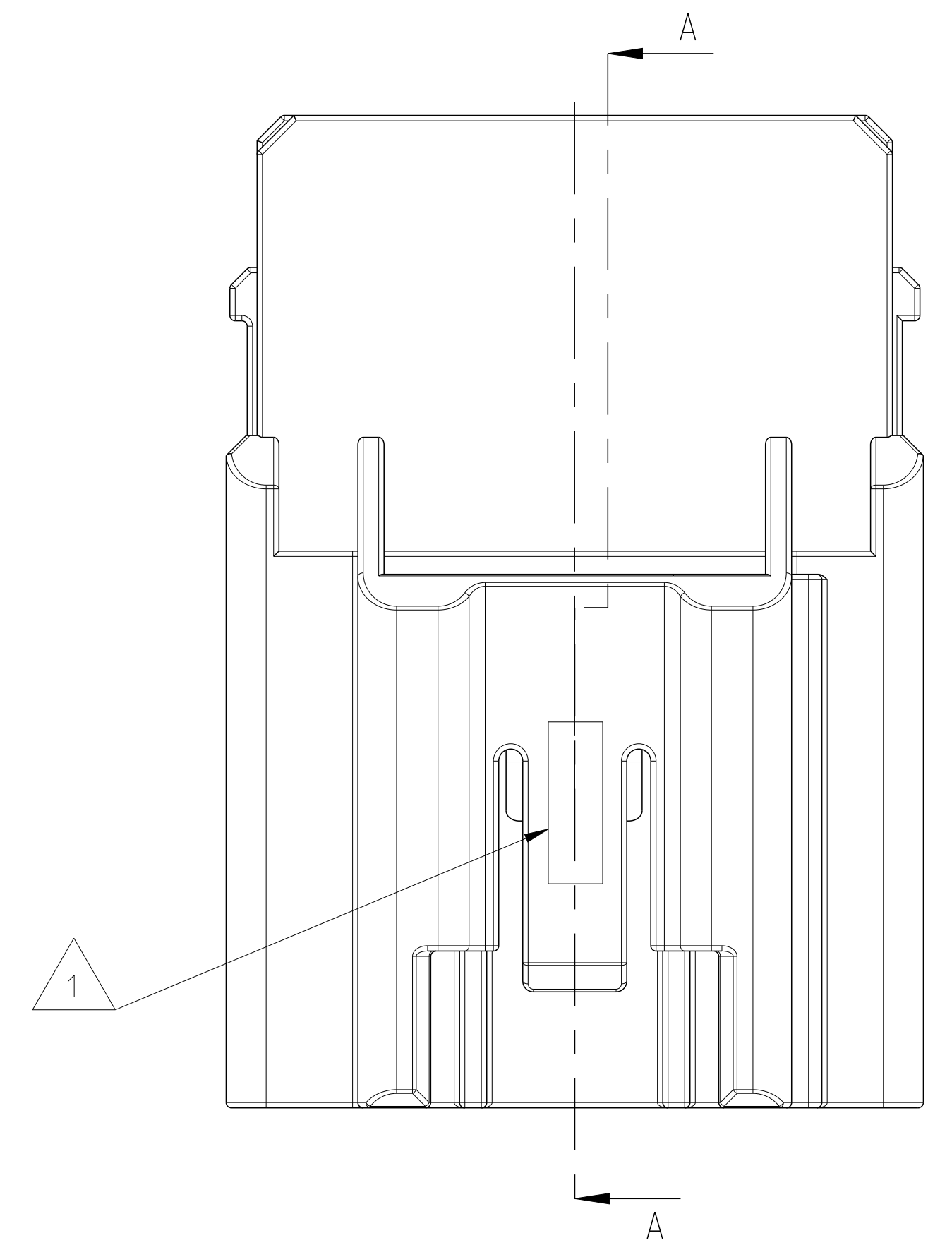
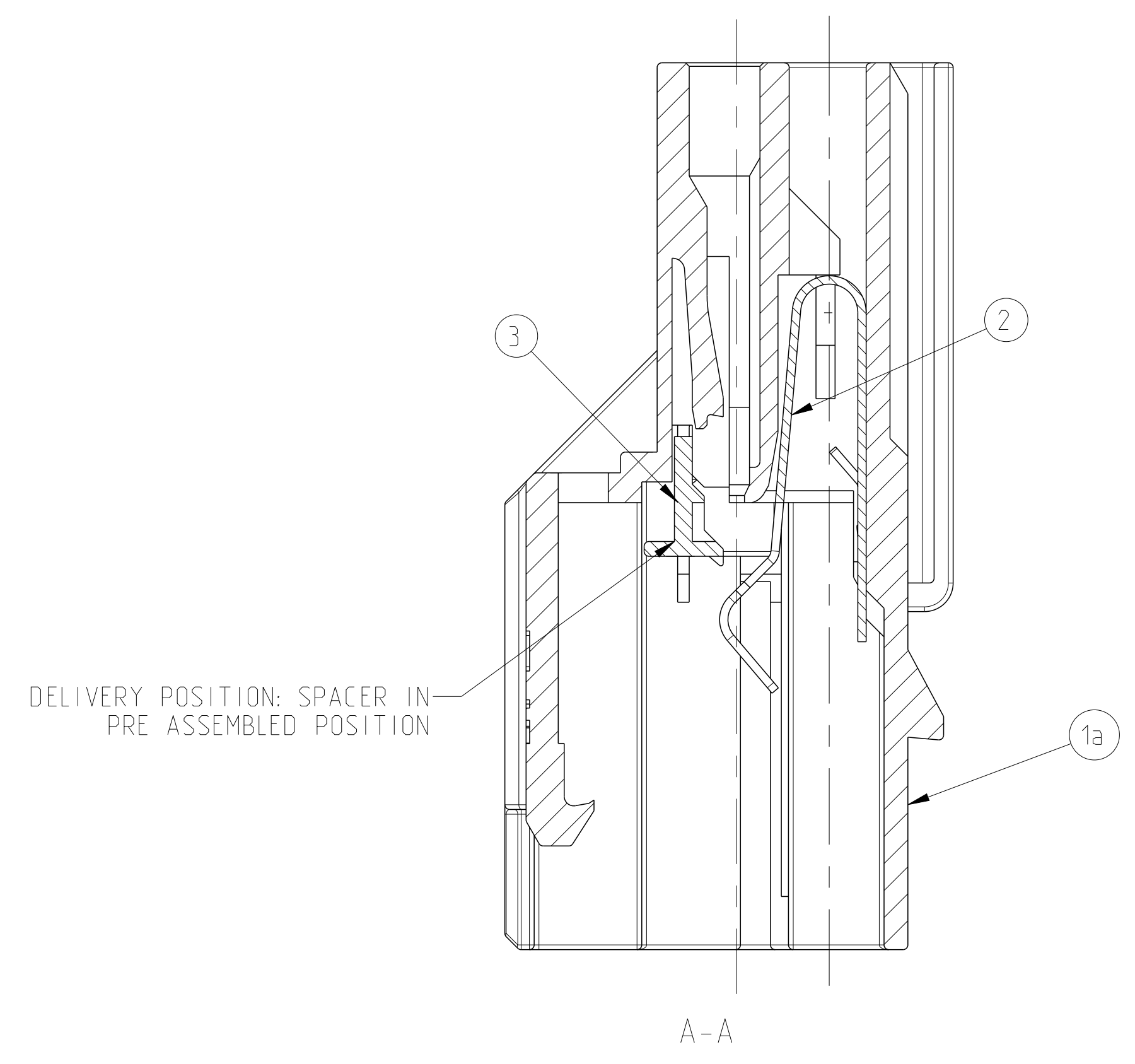
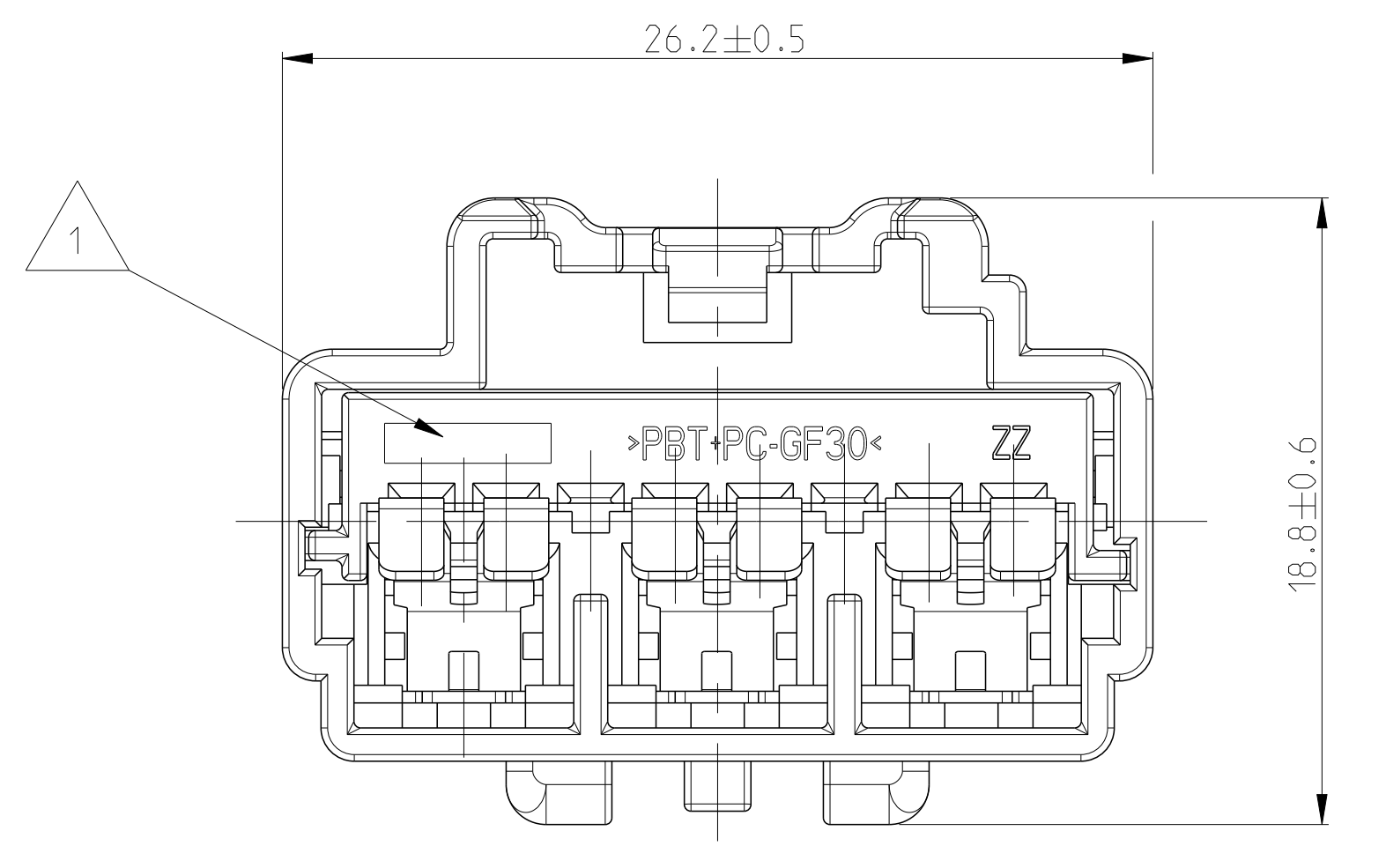
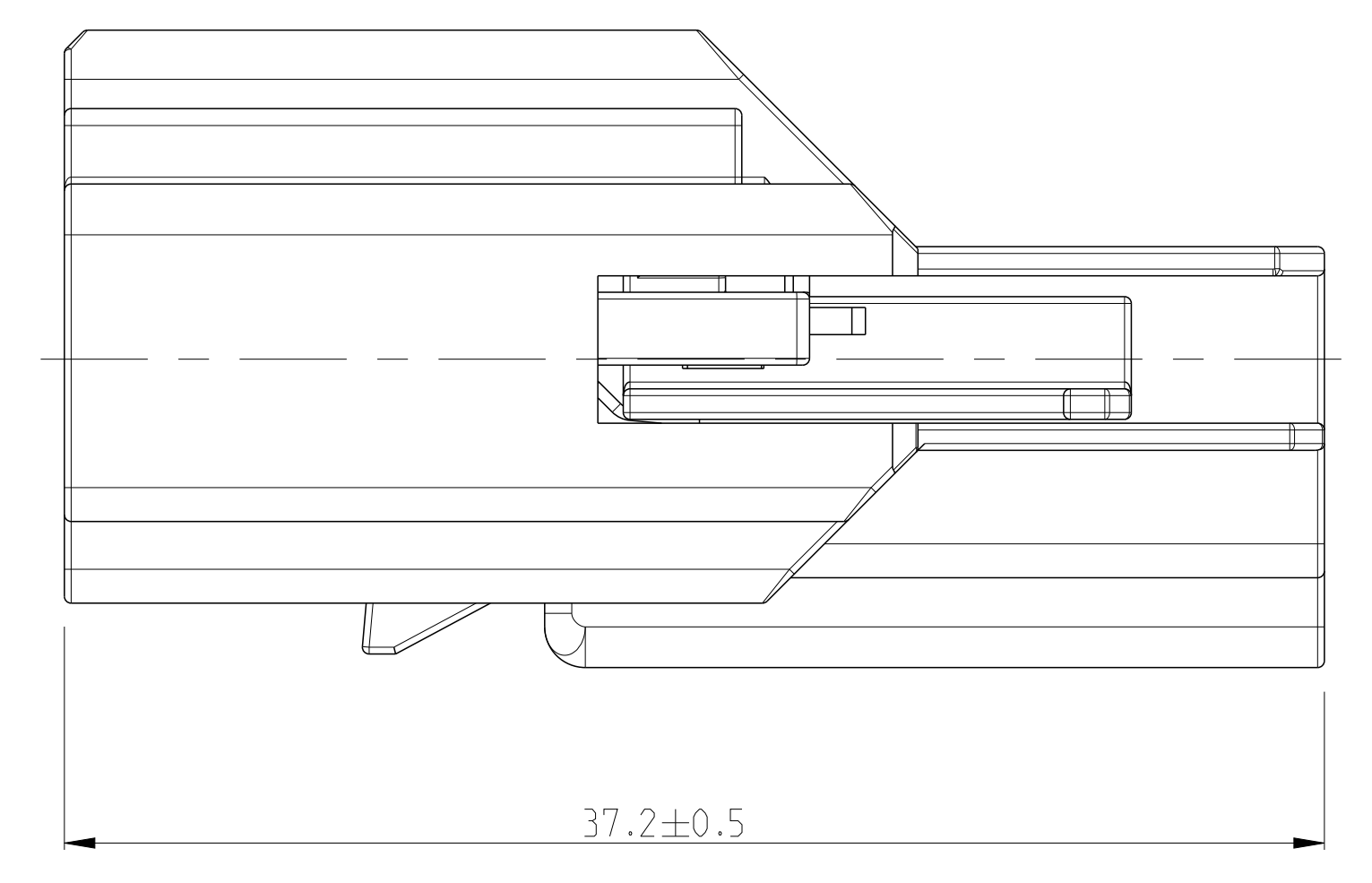
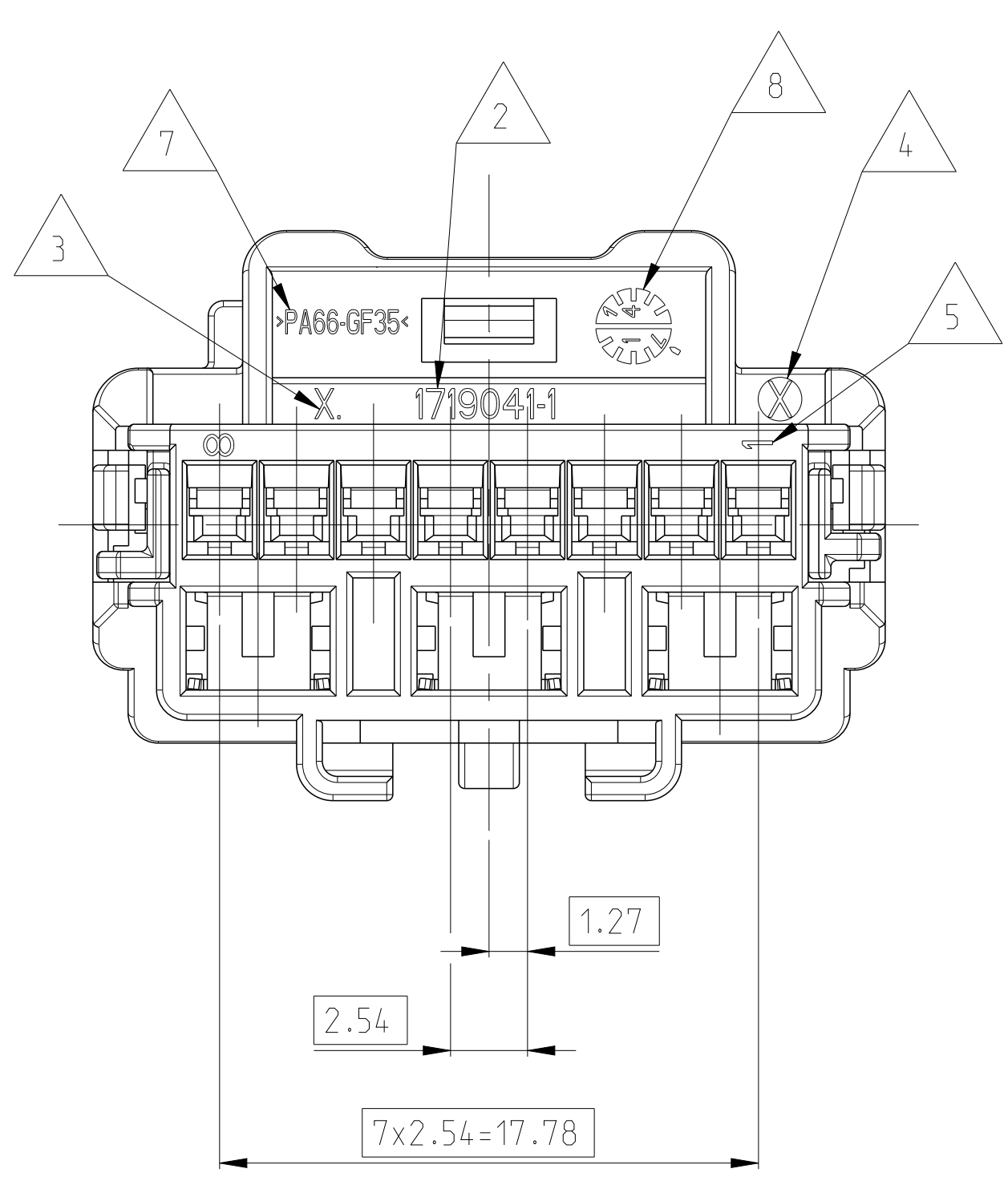
CODING X  
 PN 1719040-1



CODING X  
 PN 1-1719040-1



CODING Z  
 PN 1719040-2



- NOTES:  
 Bemerkungen:
- 1 TE-LOGO (OPTIONAL)  
TE-Logo (optional)
  - 2 TE-HOUSING PART NUMBER  
TE-Gehäuseartikelnummer
  - 3 HOUSING REVISION-NUMBER  
Gehäuse-Werkzeugaenderungsindex
  - 4 TOOL CAVITY MARKING  
Nestmarkierung
  - 5 CAVITY MARKING  
Kammernummerierung
  - 6 PACKAGING: CORRUGATED LAYER PAD IN SHIPPING BOX  
Verpackung: Lagenverpackung
  - 7 MATERIAL MARKING  
Werkstoffkennzeichnung
  - 8 PRODUCTION DATE  
Produktionsdatum
  - 9 TOLERANCES UNLESS OTHERWISE SPECIFIED ±0.3  
Toleranzen wenn nicht anders spezifiziert ±0.3
  - 10 MATING PART: 1x8POS. GET FEMALE HOUSING  
TE-PN: 9-1419169-7
  - 11 SUITABLE GET MALE TERMINALS: TE-PN: 3-1419158-1 (GOLD) FORD-PN: 112T-14421-DA 0.22/0.35mm<sup>2</sup>  
TE-PN: 2-1419158-3 (GOLD) FORD-PN: 112T-14421-EA 0.5/0.75mm<sup>2</sup>
  - 12 1719040-1 IS SHOWN  
1719040-1 wird gezeigt
- DENOTES BASIC DIMENSIONS HAVE ZERO TOLERANCE AND DESCRIBE THE THEORETICAL, EXACT LOCATION (TRUE POSITION) OF A FEATURE OR CONTOUR.  
 Theoretische Funktionsmasse, sie haben keine Toleranz und geben eine genaue Lage, Funktion oder Kontur an.

ASSY PART-NO.	ASSY REV.	DESCRIPTION	MATERIAL	COLOR	ITEM NO.
3-1719040-1	B	SPACER	PBT-PC-GF30	RED	3
	Zx	SHORT-CIRCUIT-SPRING	X12C-N1177	-	2
	1x	MALE HOUSING	PA66-GF35	CORRY YELLOW	1a
2-1719040-1	B	SPACER	PBT-PC-GF30	RED	3
	Zx	SHORT-CIRCUIT-SPRING	X12C-N1177	-	2
	1x	MALE HOUSING	PA66-GF35	Bordbruecke violett	1d
1719040-2	B	SPACER	PBT-PC-GF30	RED	3
	Zx	SHORT-CIRCUIT-SPRING	X12C-N1177	-	2
	1x	MALE HOUSING	PA66-GF35	YELLOW	1c
1-1719040-1	B	SPACER	PBT-PC-GF30	RED	3
	Zx	SHORT-CIRCUIT-SPRING	X12C-N1177	-	2
	1x	MALE HOUSING	PA66-GF35	ORANGE	1b
1719040-1	B	SPACER	PBT-PC-GF30	RED	3
	Zx	SHORT-CIRCUIT-SPRING	X12C-N1177	-	2
	1x	MALE HOUSING	PA66-GF35	YELLOW	1a

THIS DRAWING IS A CONTROLLED DOCUMENT.

DATE: 03MAY2005  
 BY: St. Meinhard  
 CHECKED: 02MAY2005  
 G. Steinbach  
 G. Number: 02MAY2005

SCALE: 5:1

STE TE Connectivity

8POS. GET MALE HOUSING WITH SHORTING BARS UNSEALED

SCALE: 5:1 SHEET 1 OF 1 REV B2