

THIS INFORMATION IS CONFIDENTIAL AND PROPRIETARY TO CW INDUSTRIES INCORPORATED AND ITS AFFILIATES. IT MAY NOT BE DISCLOSED TO ANYONE, OTHER THAN CW INDUSTRIES PERSONNEL, WITHOUT WRITTEN AUTHORIZATION FROM CW INDUSTRIES INCORPORATED, SOUTHAMPTON, PENNSYLVANIA USA.

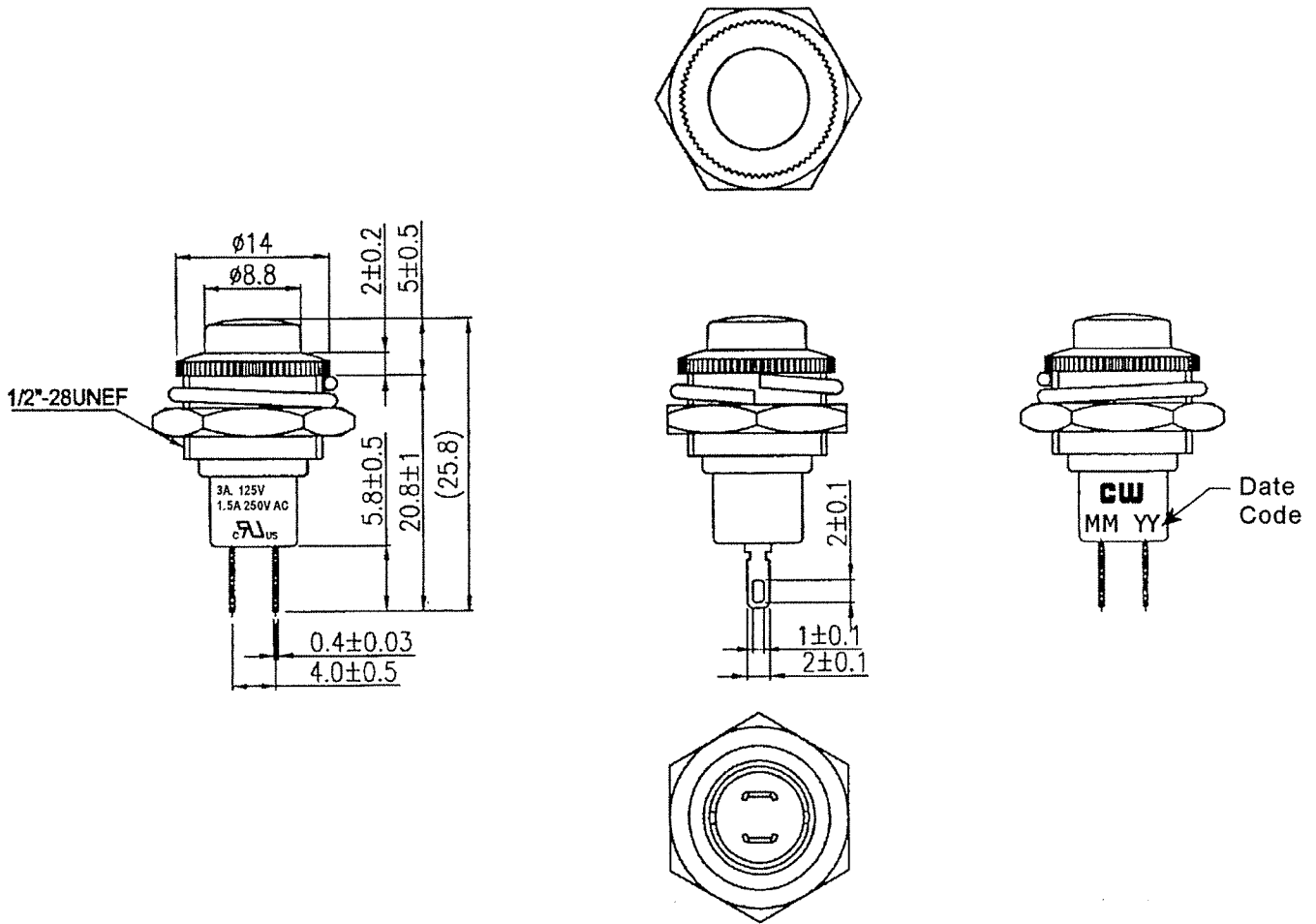
Rating	3A. 125V , 1. 5A 250V AC		Mounting Hole		
Contact Resistance	50m ohm max.				
Insulation Resistance	DC 500V 100M ohm min.				
Dielectric Strength	AC 1000V 1 minute				
Operating Temperature	0° C ~ 85° C				
Switch Function	2P SPST OFF - (ON)				

Cut-Out 3mm thk. max.

() = Momentary

Material:

Housing: Brass Alloy, Cr-Plating
 Button: Nylon #66, Black
 Bottom Cover: PBT+30%GF, Black
 Terminals: Copper Alloy



Tolerances Unless Otherwise Specified +/-0.3.

RoHS Compliant

1 Redrawn. Updated views, Materials & Tolerances. 4-03-13.

CW INDUSTRIES
 Southampton, Pa. 18966
 Tel 215.355.7080/www.cwind.com

Date Drawn: 12/25/09

Rev. 1

Unit: mm

Checked By: *G. Gold*

Title: **PUSH BUTTON SWITCH**

CW P/N: **GPB502MA05BB**