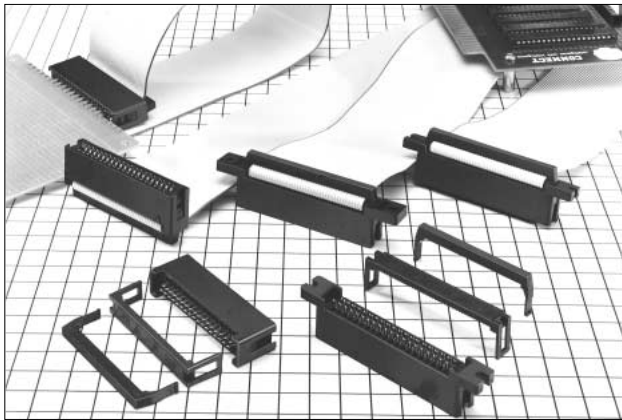


Card Edge Type Ribbon Cable Connector

HIF5 Series



■ Features

1. Product Variation

The area to install the connector body is classified into three types according to full hole mounting area, semi-mounting area and non-mounting area.

2. Mounting Density Enhancement

This connector is designed so that the ribbon cable can turn back within the connector molding range. The connector can be installed without coming out of the insulator.

3. Applicable Cable

The applicable cable is a <UL2651>AWG#28 flat cable (7 pcs./0.127mm, jacket dia.: 0.8~1.0mm).

■ Applications

Computers, FDD, various kinds of electronic equipment.

■ Product Specifications

| | | | |
|--------|---|---|--|
| Rating | Current rating: 1A Voltage rating: 200V AC | Operating Temperature Range: -55 to +85°C (Note 1) Operating Moisture Range: 40 to 80% | Storage Temperature Range: -10 to +60°C (Note 2) Storage Humidity Range: 40 to 70% (Note 2) |
|--------|---|---|--|

| Item | Specification | Condition |
|---------------------------------|---|---|
| 1. Insulation Resistance | 1000M ohms min. | 500V DC |
| 2. Withstanding voltage | No flashover or insulation breakdown. | 650V AC/1 minute |
| 3. Contact Resistance | 15m ohms max. | 0.1A |
| 4. Vibration | No electrical discontinuity of 1μs or more | Frequency: 10 to 55 Hz, single amplitude of 0.75 mm, 2 hours in each of the 3 directions. |
| 5. Humidity (Steady state) | Insulation resistance: 1000M ohms min. | 96 hours at temperature of 40°C and humidity of 90% to 95% |
| 6. Temperature Cycle | No damage, cracks, or parts looseness. | (-55°C: 30 minutes → 15 to 35°C: 5 minutes max. 125°C: 30 minutes → 15 to 35°C: 5 minutes max.) 5 cycles |
| 7. Operating Life | Contact resistance 15m ohms max. | 500 cycles |
| 8. Resistance to Soldering heat | No deformation of components affecting performance. | Flow: 260°C for 10 seconds Manual soldering: 300°C for 3 seconds |

Note 1: Includes temperature rise caused by current flow.

Note 2: The term "storage" refers to products stored for long period of time prior to mounting and use. Operating Temperature Range and Humidity range covers non conducting condition of installed connectors in storage, shipment or during transportation.

■ Material

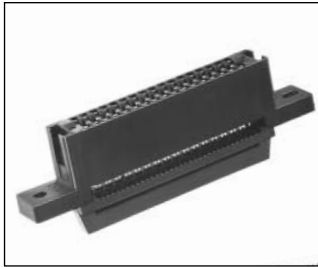
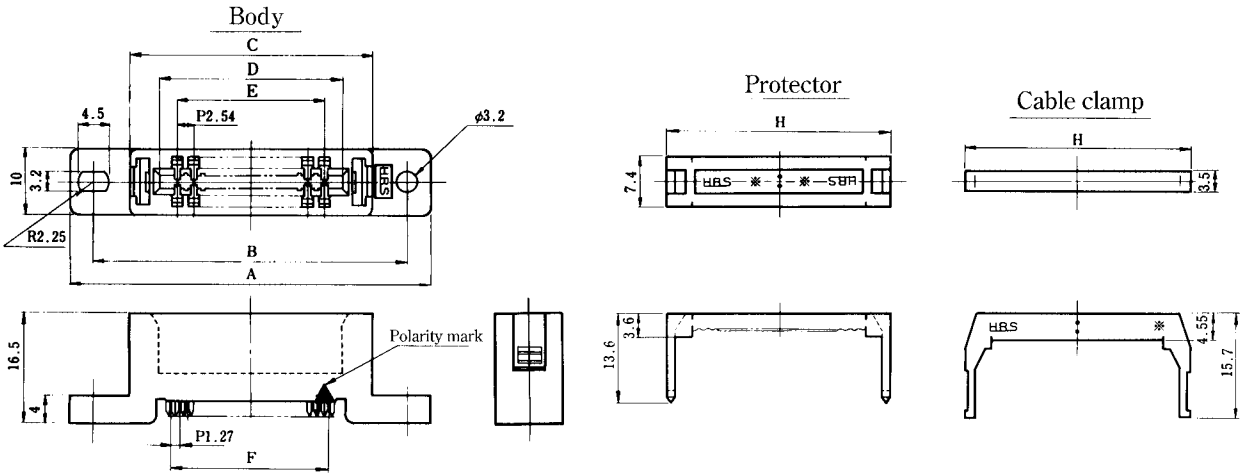
| Part | Material | Finish | Remarks |
|--------------|--------------|-----------------|----------------|
| Insulator | PBT | Black | UL94V-0 |
| Structure of | Copper alloy | Contact area | gold plating |
| | | Connection area | solder plating |

■ Ordering Information

HIF5 **B** - ***** **D** **A** - **2.54** **R**
① ② ③ ④ ⑤ ⑥ ⑦

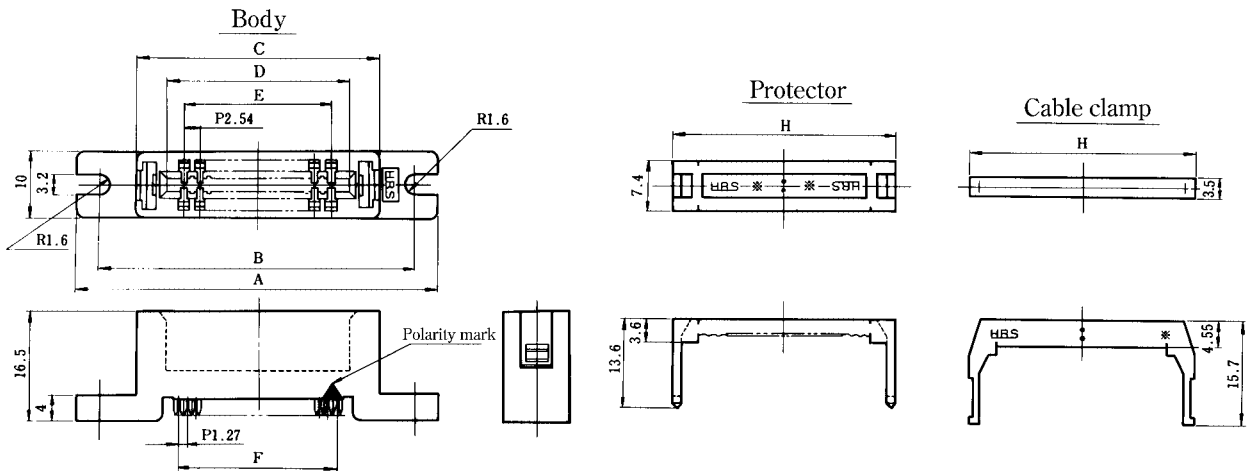
| | |
|--|--|
| ① Series Name: HIF 5 | ④ Contact alignment: D : Double |
| ② Mold type B: With full mounting hole C: With half mounting hole D: Without mounting hole | ⑤ Plating type: A : Selective gold plating |
| | ⑥ Contact Pitch: 2.54mm |
| ③ Number of contacts: 20, 26, 34, 40, 50, 60 | ⑦ Connection type: R : Ribbon cable |

■ With Mounting Full Hole



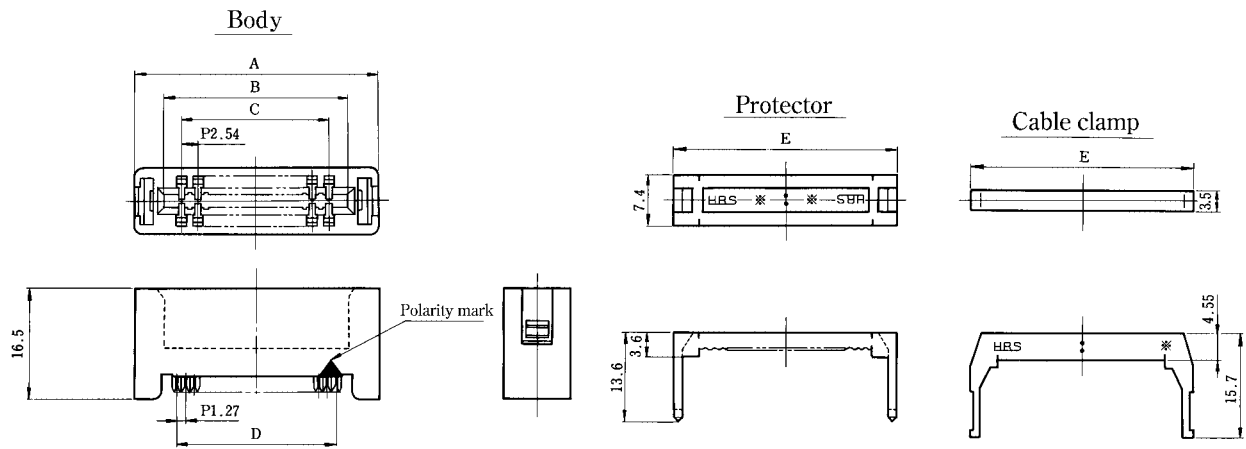
| Part Number | CL No. | Number of Contacts | A | B | C | D | E | F | H |
|------------------|------------|--------------------|-------|-------|-------|-------|-------|-------|-------|
| HIF5B-20DA-2.54R | 564-0014-5 | 20 | 56 | 48.26 | 36.04 | 28.04 | 22.86 | 24.13 | 33.54 |
| HIF5B-26DA-2.54R | 564-0015-8 | 26 | 63.62 | 55.88 | 43.66 | 35.66 | 30.48 | 31.75 | 41.16 |
| HIF5B-34DA-2.54R | 564-0016-0 | 34 | 73.78 | 66.04 | 53.82 | 45.82 | 40.64 | 41.91 | 51.32 |
| HIF5B-40DA-2.54R | 564-0017-3 | 40 | 81.4 | 73.66 | 61.44 | 53.44 | 48.26 | 49.53 | 58.94 |
| HIF5B-50DA-2.54R | 564-0018-6 | 50 | 94.1 | 86.36 | 74.14 | 66.14 | 60.96 | 62.23 | 71.64 |
| HIF5B-60DA-2.54R | 564-0019-9 | 60 | 106.8 | 99.06 | 86.84 | 78.84 | 73.66 | 74.93 | 84.34 |

■ With Mounting Half hole



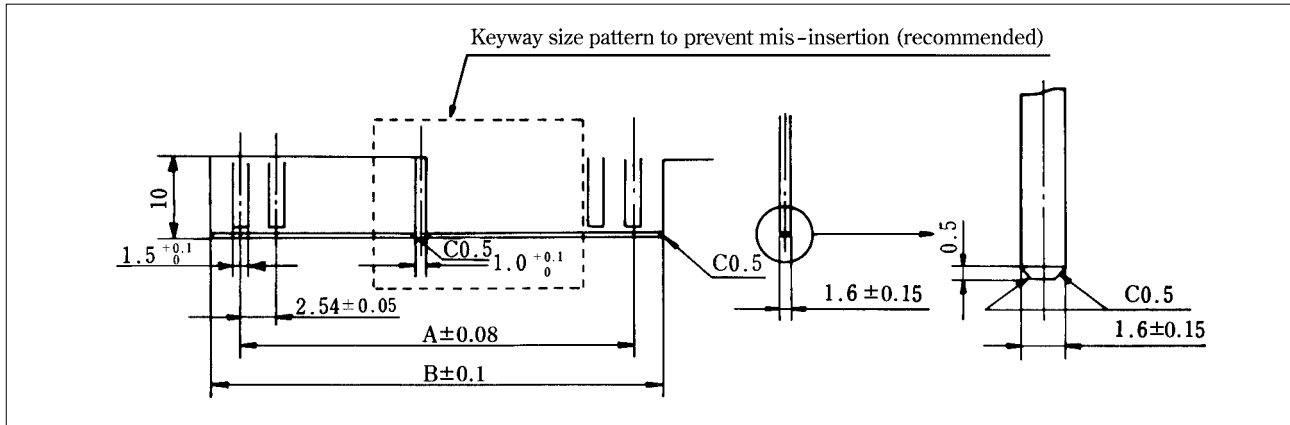
| Part Number | CL No. | Number of Contacts | A | B | C | D | E | F | H |
|------------------|------------|--------------------|-------|-------|-------|-------|-------|-------|-------|
| HIF5C-20DA-2.54R | 564-0020-8 | 20 | 50.8 | 45.72 | 36.04 | 28.04 | 22.86 | 24.13 | 33.54 |
| HIF5C-26DA-2.54R | 564-0021-0 | 26 | 58.42 | 53.34 | 43.66 | 35.66 | 30.48 | 31.75 | 41.16 |
| HIF5C-34DA-2.54R | 564-0022-3 | 34 | 68.58 | 63.5 | 53.82 | 45.82 | 40.64 | 41.91 | 51.32 |
| HIF5C-40DA-2.54R | 564-0023-6 | 40 | 76.2 | 71.12 | 61.44 | 53.44 | 48.26 | 49.53 | 58.94 |
| HIF5C-50DA-2.54R | 564-0024-9 | 50 | 88.9 | 83.82 | 74.14 | 66.14 | 60.96 | 62.23 | 71.64 |
| HIF5C-60DA-2.54R | 564-0025-1 | 60 | 101.6 | 96.52 | 86.84 | 78.84 | 73.66 | 74.93 | 84.34 |

■ Without Mounting Hole



| Part Number | CL No. | Number of Contacts | A | B | C | D | E |
|------------------|------------|--------------------|-------|-------|-------|-------|-------|
| HIF5D-20DA-2.54R | 564-0026-4 | 20 | 36.04 | 28.04 | 22.86 | 24.13 | 33.54 |
| HIF5D-26DA-2.54R | 564-0027-7 | 26 | 43.66 | 35.66 | 30.48 | 31.75 | 41.16 |
| HIF5D-34DA-2.54R | 564-0028-0 | 34 | 53.82 | 45.82 | 40.64 | 41.91 | 51.32 |
| HIF5D-40DA-2.54R | 564-0029-2 | 40 | 61.44 | 53.44 | 48.26 | 49.53 | 58.94 |
| HIF5D-50DA-2.54R | 564-0030-1 | 50 | 74.14 | 66.14 | 60.96 | 62.23 | 71.64 |
| HIF5D-60DA-2.54R | 564-0031-4 | 60 | 86.84 | 78.84 | 73.66 | 74.93 | 84.34 |

◆PCB mounting pattern

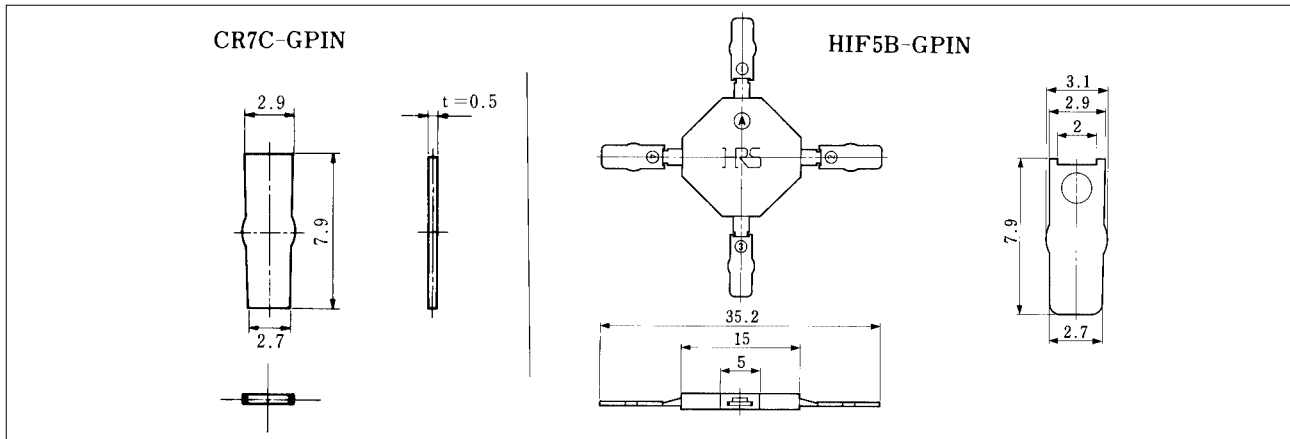


| Number of Contacts | 20 | 26 | 34 | 40 | 50 | 60 |
|--------------------|-------|-------|-------|-------|-------|-------|
| A | 22.86 | 30.48 | 40.64 | 48.26 | 60.96 | 73.66 |
| B | 27.84 | 35.46 | 45.62 | 53.24 | 65.94 | 78.64 |

Note. Using the polarizing key prevents mis-insertion in the printed board.

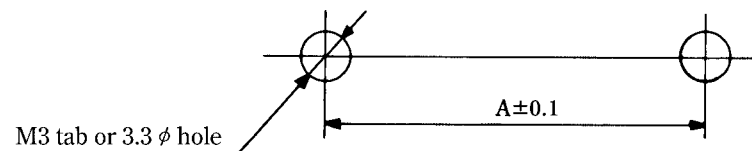
For use, insert the polarizing key so as to hit the mold bottom.

◆Polarizing Key



| Part Number | CL No. | Material |
|-------------|------------|--------------------------|
| CR7C-GPIN | 507-0055-8 | Poly acetal resin, white |
| HIF5B-GPIN | 564-0052-4 | PBT, beige |

◆Panel Cutouts



Unit: mm

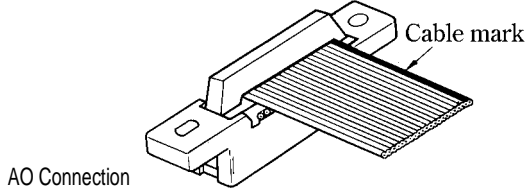
| | Number of Contacts | 20 | 26 | 34 | 40 | 50 | 60 |
|--------------------|--------------------|-------|-------|-------|-------|-------|-------|
| mounting Half hole | size A | 45.72 | 53.34 | 63.50 | 71.12 | 83.82 | 96.52 |
| mounting Full hole | size A | 48.26 | 55.88 | 66.04 | 73.66 | 86.36 | 99.06 |

◆ Connection Procedures

Note 1. Cable length tolerance
 Less than 500 $^{+10}_0$ (mm)
 More than 500 pcs. $^{+3}_0$ %

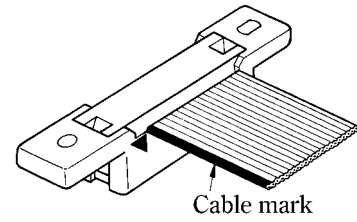
Note 2. When a cable such as a twist cable or a slit (like a roller screen) cable is used, the cable pitch will slightly change according to cable manufacturers. If connection failure has occurred, consult HRS Sales Department.

HIF5B Type

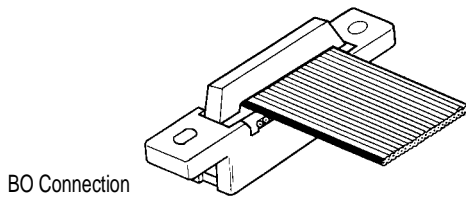


HIF5B Type

(No cable clamp)

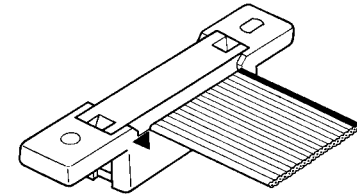


HIF5B Type

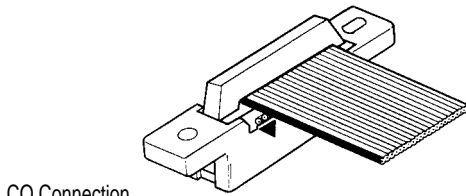


HIF5B Type

(No cable clamp)

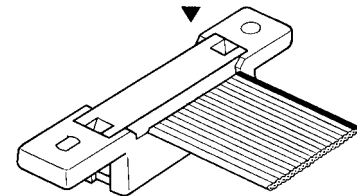


HIF5B Type

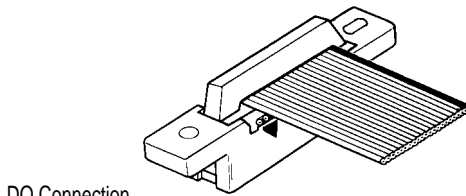


HIF5B Type

(No cable clamp)

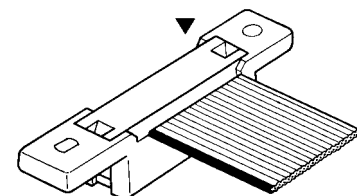


HIF5B Type

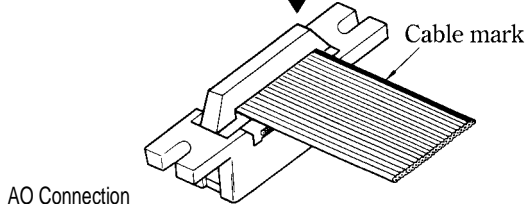


HIF5B Type

(No cable clamp)

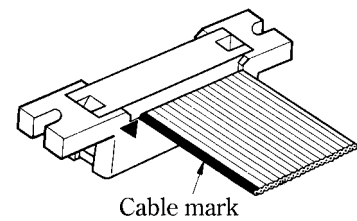


HIF5C Type

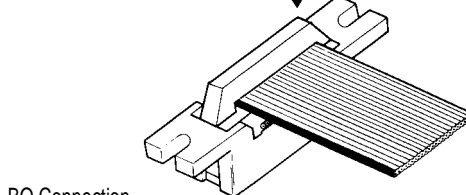


HIF5C Type

(No cable clamp)

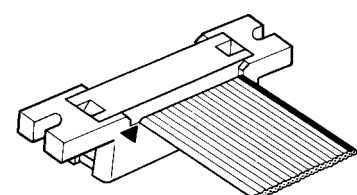


HIF5C Type

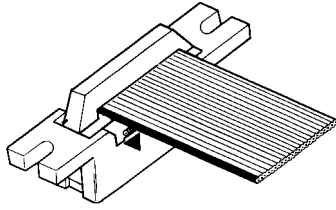


HIF5C Type

(No cable clamp)

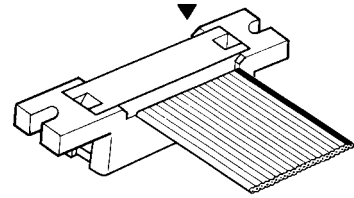


HIF5C Type



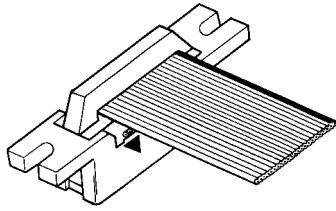
CO Connection

HIF5C Type
(No cable clamp)



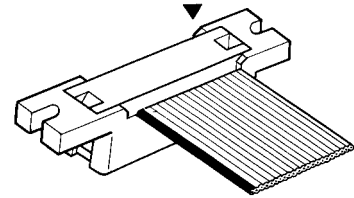
CO Connection

HIF5C Type



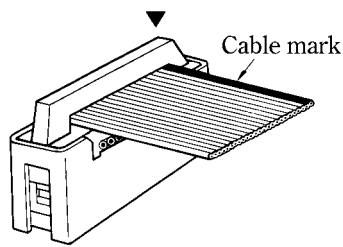
DO Connection

HIF5C Type
(No cable clamp)



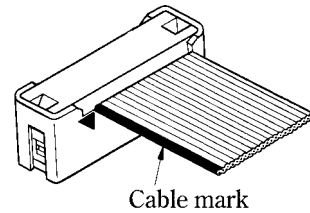
DO Connection

HIF5D Type



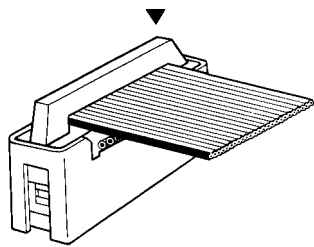
AO Connection

HIF5D Type
(No cable clamp)



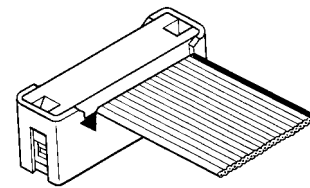
AO Connection

HIF5D Type



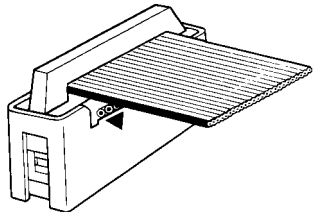
BO Connection

HIF5D Type
(No cable clamp)



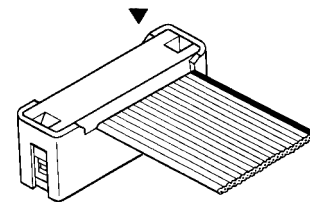
BO Connection

HIF5D Type



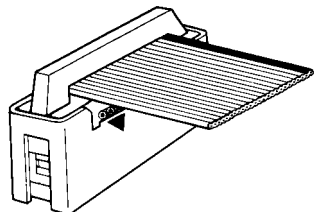
CO Connection

HIF5D Type
(No cable clamp)



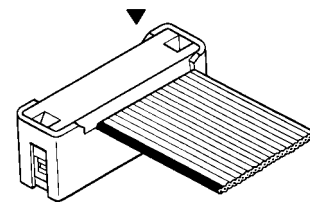
CO Connection

HIF5D Type



DO Connection

HIF5D Type
(No cable clamp)



DO Connection