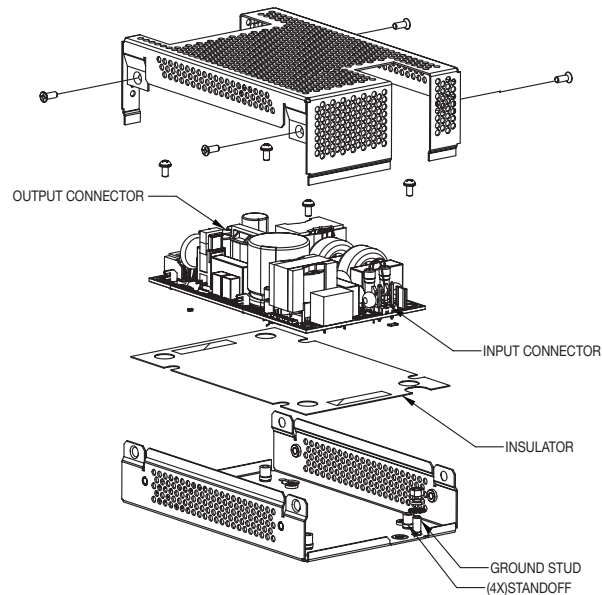


LPX100 Enclosure

Installation Notes LPX100 • Cover Enclosure Kit
 LPX100 will fit the LPX5X, LPX10X-M, NPX4X-M, NPX2X-M
 and NPX6X-M power supplies.

MATERIALS

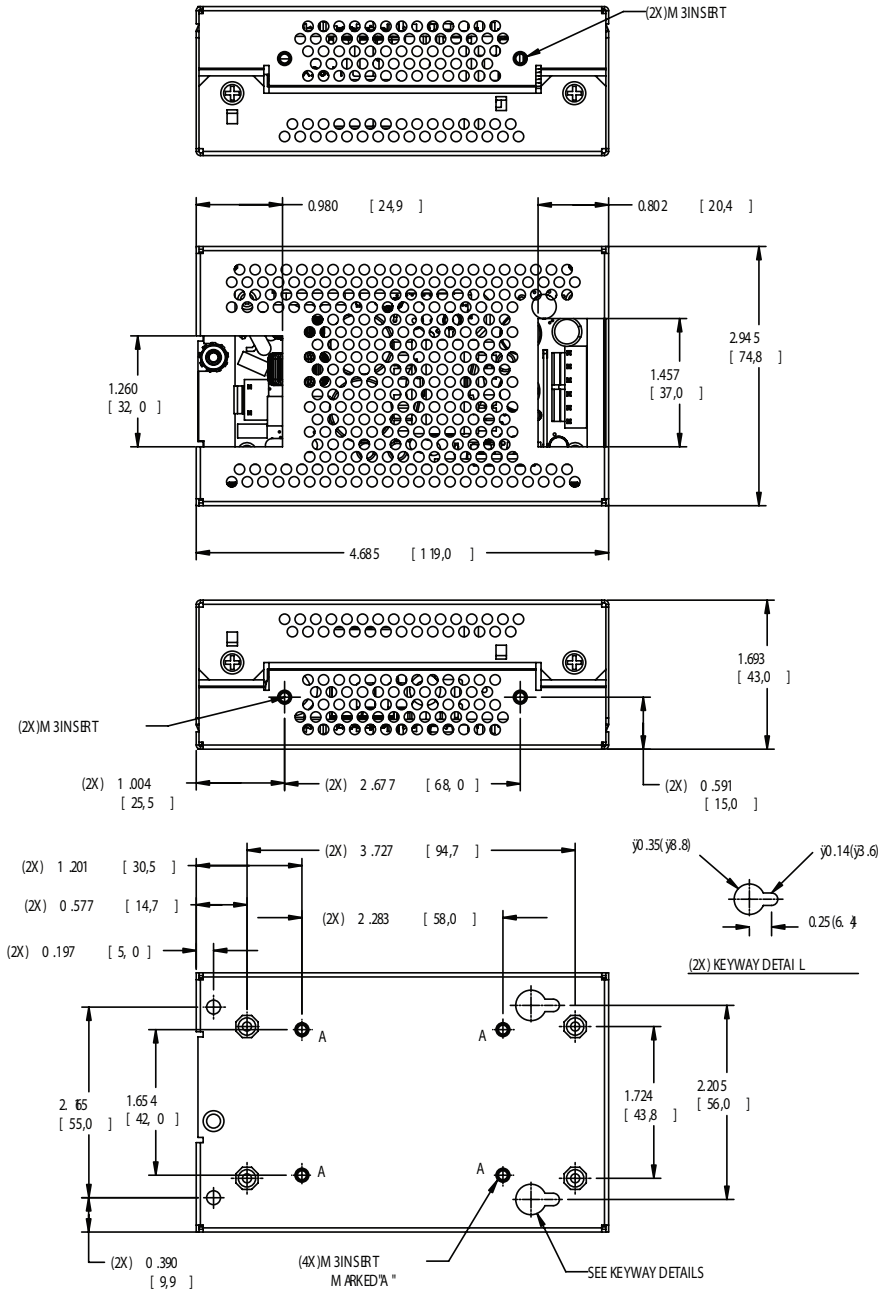
- 1 Base
- 1 Cover
- 4 M3x6mm Pan head screws with spring washer
- 4 M3x6mm countersunk screws
- 1 M4 nut
- 1 M4 star washer
- 1 M4 spring washer
- 1 Plastic insulator sheet



Installation Instructions and Notes

1	Place the insulator over the chassis as shown.
2	Place the power supply over the insulator as shown.
3	Align the 4x power supply to the chassis standoff.
4	Secure 4 pan head screws with washer provided with in kit as shown.
5	Place the cover over the power supply as shown.
6	Align the 4x cover to the U-bracket countersink holes.
7	Secure 4 countersink screws provided with in kit as shown.
8	Overall dimensions: 4.685 (119.0) x 2.945 (74.8) x 1.693 (43.0).
9	Base plate has three sets of customer mountings: <ul style="list-style-type: none"> a. Bottom mounting (4X) M3 inserts. Max. screw penetration 0.0787 (2mm) b. Side mounting (2X) 4mm clear holes plus 2 keyways. (See keyway detail) c. Side mounting (4X) M3 inserts. Max. screw penetration 0.236 (6mm)
10	Ensure insulator is correctly fitted in base under PCB to maintain safety creepage and clearances.
11	Ensure base is firmly connected to supply earth via the earth stud marked.
12	When using this enclosure, ensure that relevant safety standards (e.g. EN60950) are complied with, in respect to creepage and clearance distances, and distances through insulation.
13	All dimensions are in inches (mm).

Mechanical Drawing



WORLDWIDE OFFICES

Americas

2900 S.Diablo Way
 Tempe, AZ 85282
 USA
 +1 888 412 7832

Europe (UK)

Waterfront Business Park
 Merry Hill, Dudley
 West Midlands, DY5 1LX
 United Kingdom
 +44 (0) 1384 842 211

Asia (HK)

14/F, Lu Plaza
 2 Wing Yip Street
 Kwun Tong, Kowloon
 Hong Kong
 +852 2176 3333



www.artesyn.com

While every precaution has been taken to ensure accuracy and completeness in this literature, Artesyn Embedded Technologies assumes no responsibility, and disclaims all liability for damages resulting from use of this information or for any errors or omissions. Artesyn Embedded Technologies, Artesyn and the Artesyn Embedded Technologies logo are trademarks and service marks of Artesyn Embedded Technologies, Inc. All other names and logos referred to are trade names, trademarks, or registered trademarks of their respective owners. © 2014 Artesyn Embedded Technologies, Inc.

For more information: www.artesyn.com/power
 For support: productsupport.ep@artesyn.com