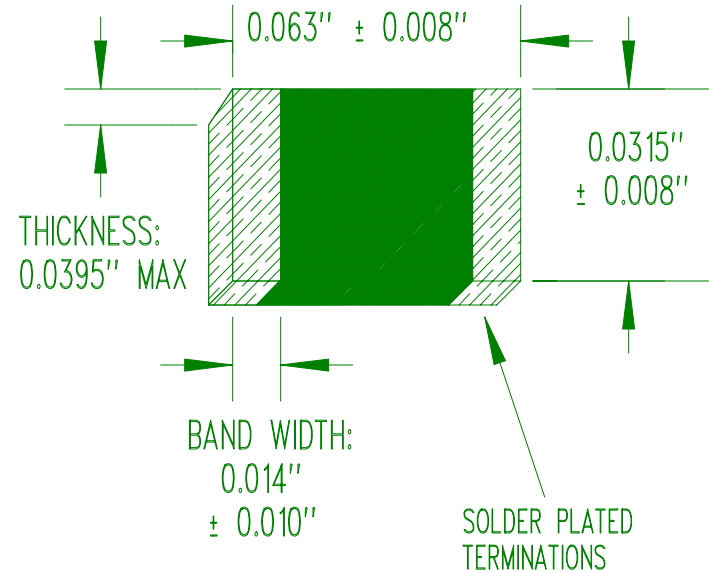


RESISTANCE/TEMPERATURE TABLE			
TEMP (°C)	RESIS (Ω)	TEMP (°C)	RESIS (Ω)
-40	308,118	45	4,333
-35	226,660	50	3,569
-30	168,174	55	2,956
-25	125,800	60	2,461
-20	94,834	65	2,059
-15	72,018	70	1,731
-10	55,076	75	1,462
-5	42,402	80	1,240
0	32,854	85	1,057
5	25,611	90	904.6
10	20,081	95	777.7
15	15,834	100	671.2
20	12,551	105	581.5
25	10,000	110	505.6
30	8,036	115	441.2
35	6,500	120	386.2
40	5,291	125	339.2



RESISTANCE @ +25°C = 10,000 Ω ± 5%
 BETA "β" (+25 TO +85°C) = 4,000°K NOMINAL
 POWER RATING = 150 mW
 OPERATING TEMPERATURE RANGE = -40 TO +125°C

SEE MANUFACTURING SPECIFICATION (LAYER 1)

NONE	RELEASE TO PRODUCTION	12/12/03	DD
REV	REVISION RECORD	DATE	APP

SCALE	NONE	U.S. SENSOR CORP. 1832 W. COLLINS AVE. ORANGE, CA. 92867 714-639-1000 www.ussensor.com
DRAWN BY	DAN DANKERT	
DATE	12/12/03	
REV.	NONE	
LAYER	0 OF 2	
		THERMISTOR, NTC CHIP
		P/N RB103K0J