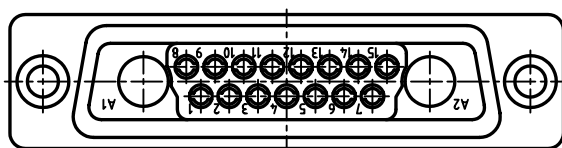
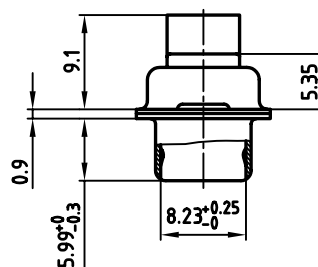
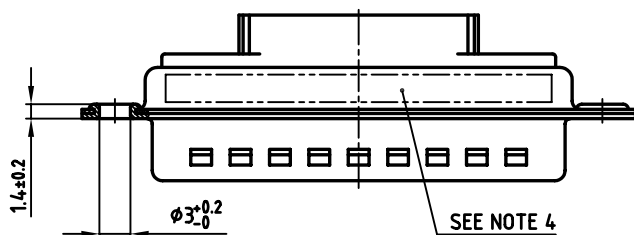
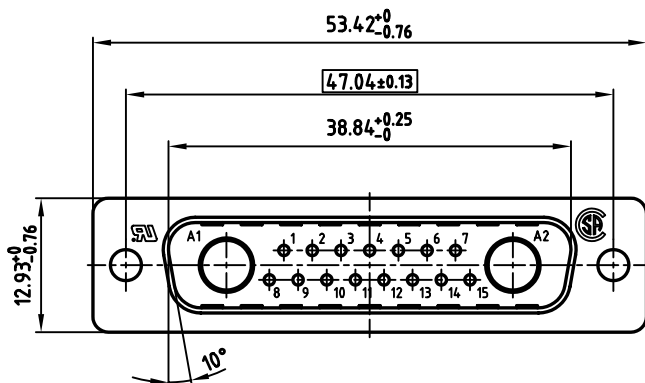


used for: D-SUB COMBINATION CRIMP



NOTES:

1. METAL SHELLS: STEEL; TIN PLATED
2. INSULATORS: PBT GF UL 94 V-0; BLACK
3. = CRITICAL DIMENSION: SPC
4. CONNECTOR IS PART MARKED: PART NO: CONEC Y/WW



THIS DRAWING MAY NOT BE COPIED OR REPRODUCED IN ANY WAY, AND MAY NOT BE PASSED ON TO A THIRD PARTY, WITHOUT WRITTEN PERMISSION. OWNERSHIP AND COPYRIGHT OF CONEC GMBH DO NOT ALTER CAD DRAWING BY HAND

rev.	description	date	name

tolerance			scale: 2:1
material: SEE NOTES			material: SEE NOTES
1999	date	name	D-SUB COMBINATION MALE CRIMP STYLE 17W2P
drawn	06.05.	Barcinski	
appd.	06.05.	Mickenbecker	
norm	DIN 41652		
d-old			dwg no: AutoCAD/REL.14 DIN-A 13K11P7A sh: 1/1
			part no: 3017W2PXK99A10X

title:		DIN-A	
dwg no:		AutoCAD/REL.14	DIN-A
part no:		3	sh: 1/1