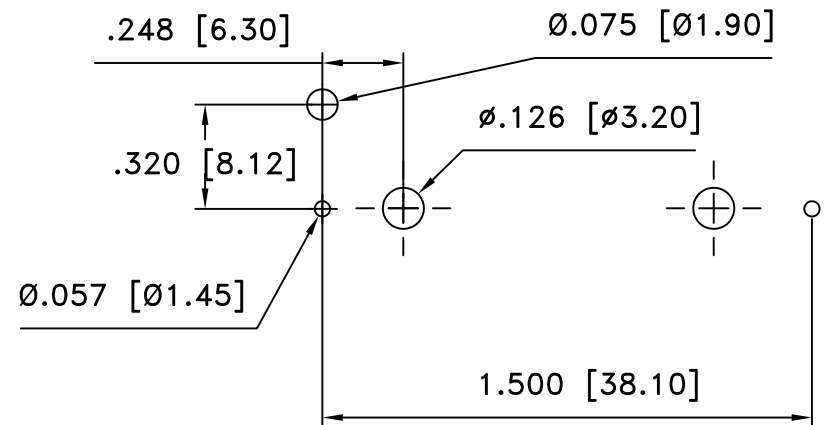
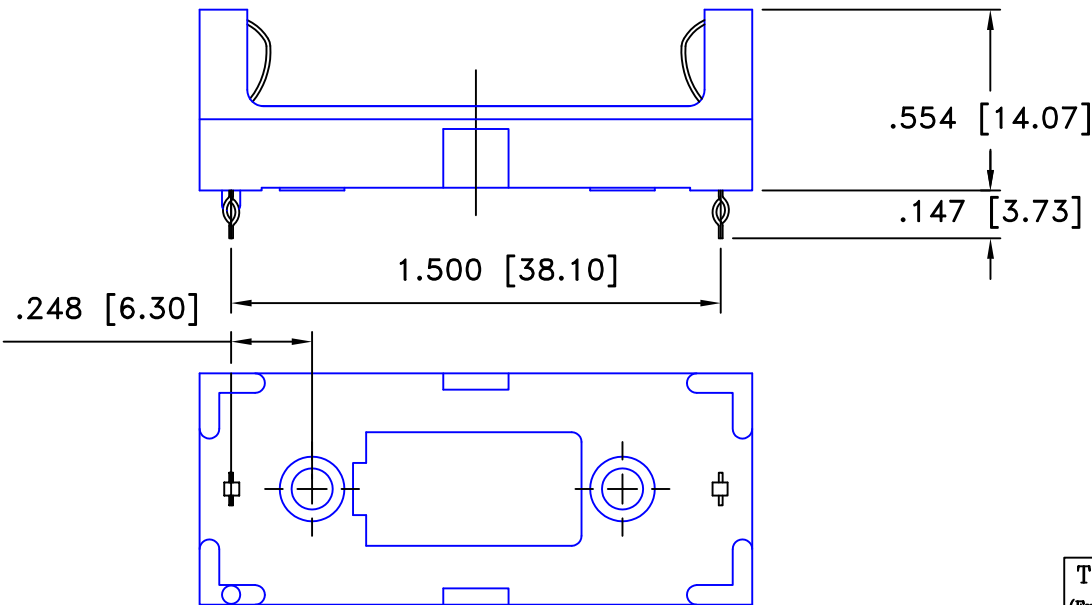
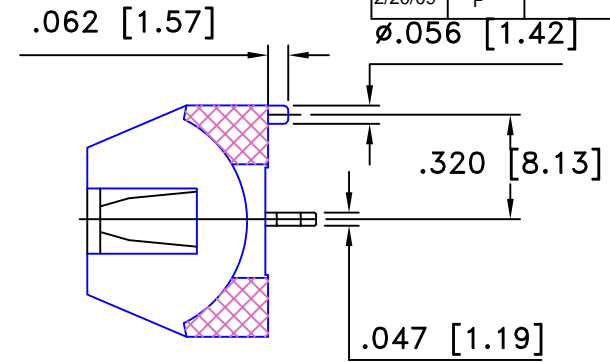
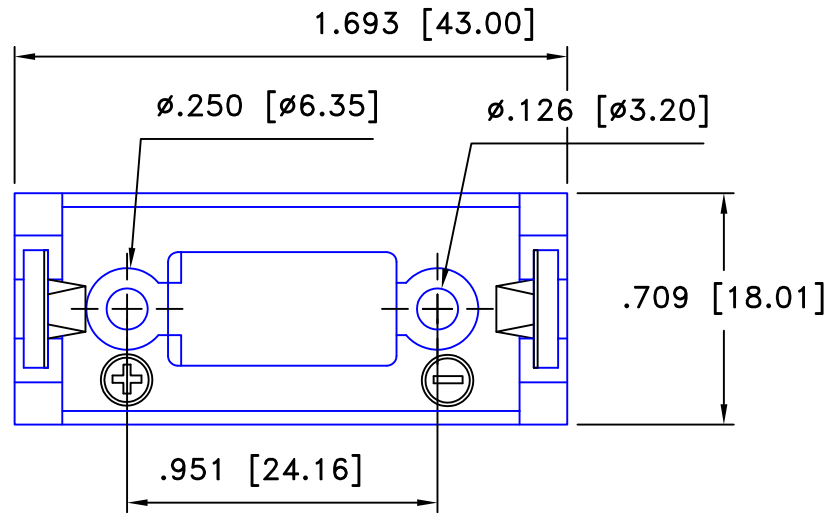



Date	SYM	REVISION RECORD	AUTH	DR.	CK.
8/11/06	D	DELETED DIM. 1.254	T.B.	B.S.	
7/14/07	E	DIM. .047 WAS .039. DIM. .057 WAS .047. DIM. .075 WAS .094	T.B.	B.S.	
2/20/09	F	ADDED "+", "-" SIGNS	T.B.	B.S.	



PC BOARD LAYOUT

ROHS COMPLIANT

Tolerance (Except as noted)	 Memory Protection Devices, Inc 200 Broad Hollow Road, Farmingdale, New York 11735	Scale	Drawn By T.S.
decimal ±.020 (.5)		2=1	Approved By T.B.
Fractional ± .030 (.8)	Title 2/3A BATTERY HOLDER		
Angular ± 3°	Date 2/20/09	Drawing Number BC2/3AE ASSEMBLY	

TYP. EYELET	STIMPSON #A1737 .122 O.D. x .230 FLANGE
CONTACT	TYPE 301 STAINLESS STEEL .03 MM THICK .0005" THICK NICKEL PLATED
HOLDER	NYLON 66 25% G/F, FLAMMABILITY RATING, UL94V-0 (BLACK), FILE # E44716, TEMPERATURE RANGE: -40°C TO 200°C, HDT PER ISO 75-2: 250°C
PART	MATERIAL