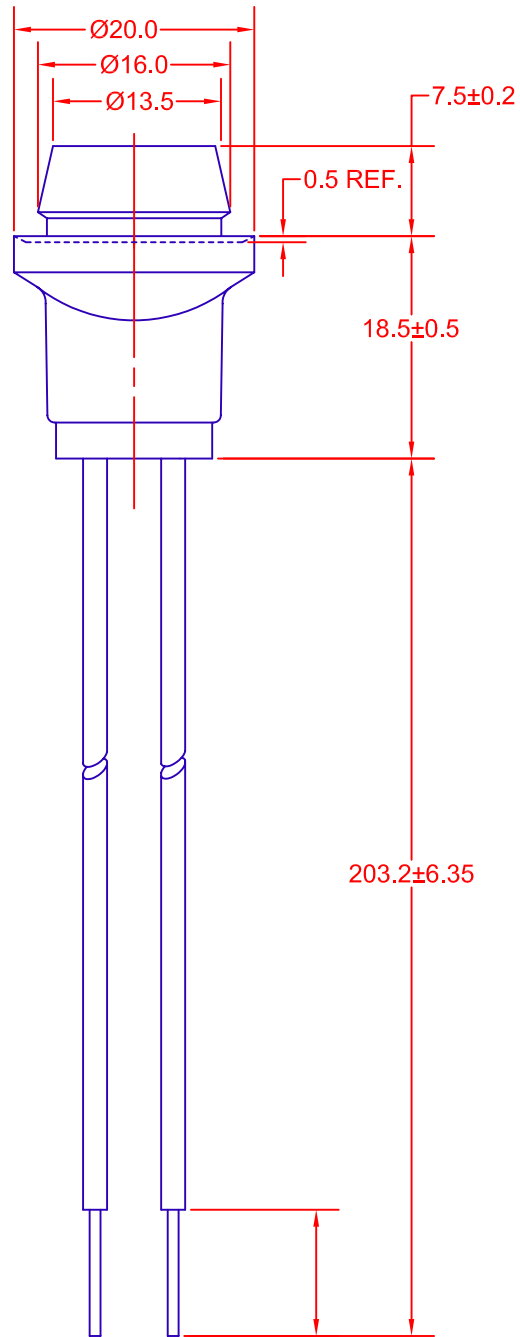
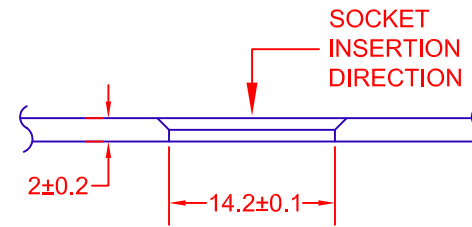


REV.	DESCRIPTION/ECO NO.	DATE
	RELEASED AS CAD	9/12/02
A	ADD SOCKET DIMENSIONS	1/10/06

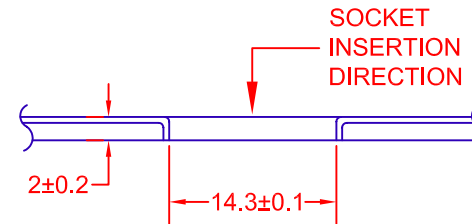


10.2±3.18
STRIPPED & TINNED

PLASTIC PANEL

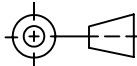


METAL PANEL



JKL PART NUMBER: 2964-8B

BASE COLOR: GRAY
LEAD COLORS: BLACK

METRIC  THIRD ANGLE PROJECTION	DIMENSIONS ARE IN MILLIMETERS TOLERANCE UNLESS OTHERWISE SPECIFIED 1 PL +/- 0.2 2 PL +/- 0.20 ANGLE +/- 0	JKL COMPONENTS CORPORATION			
		TITLE T-3 1/4 PUSH-IN TYPE SOCKET			
DRAWN BY L. WENGSTROM	APPV'D BY S.C.	DATE 1/10/06	SIZE A	FSCM NO. 55335	DRAWING NO. SOCKET 2964-8B
- CAD DRAWING - MANUAL REVISIONS NOT PERMITTED			SCALE NONE	RELEASED DATE 9/12/02	REVISION DATE 1/10/06
				REV. NO. A	SHEET 1 OF 1