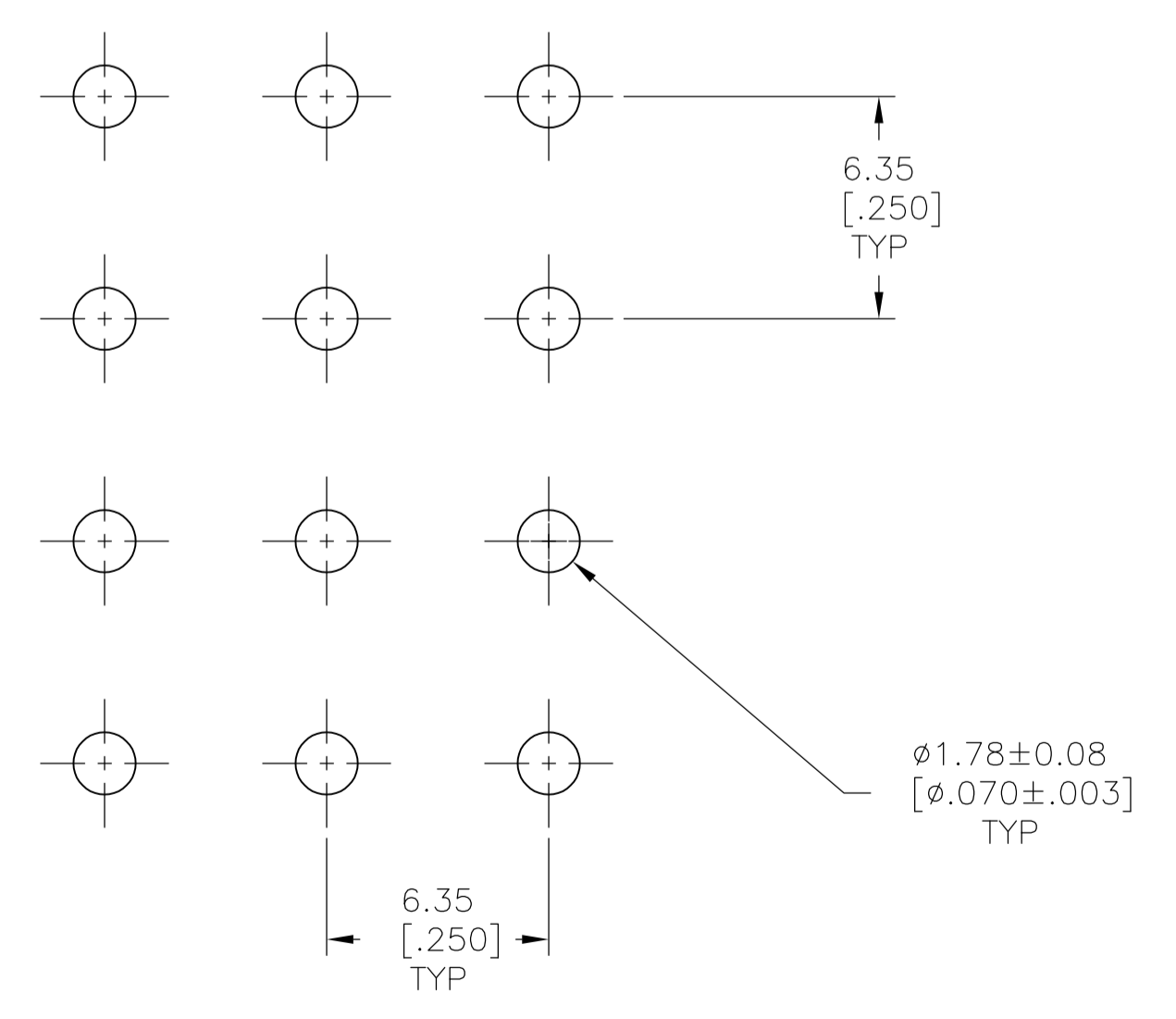
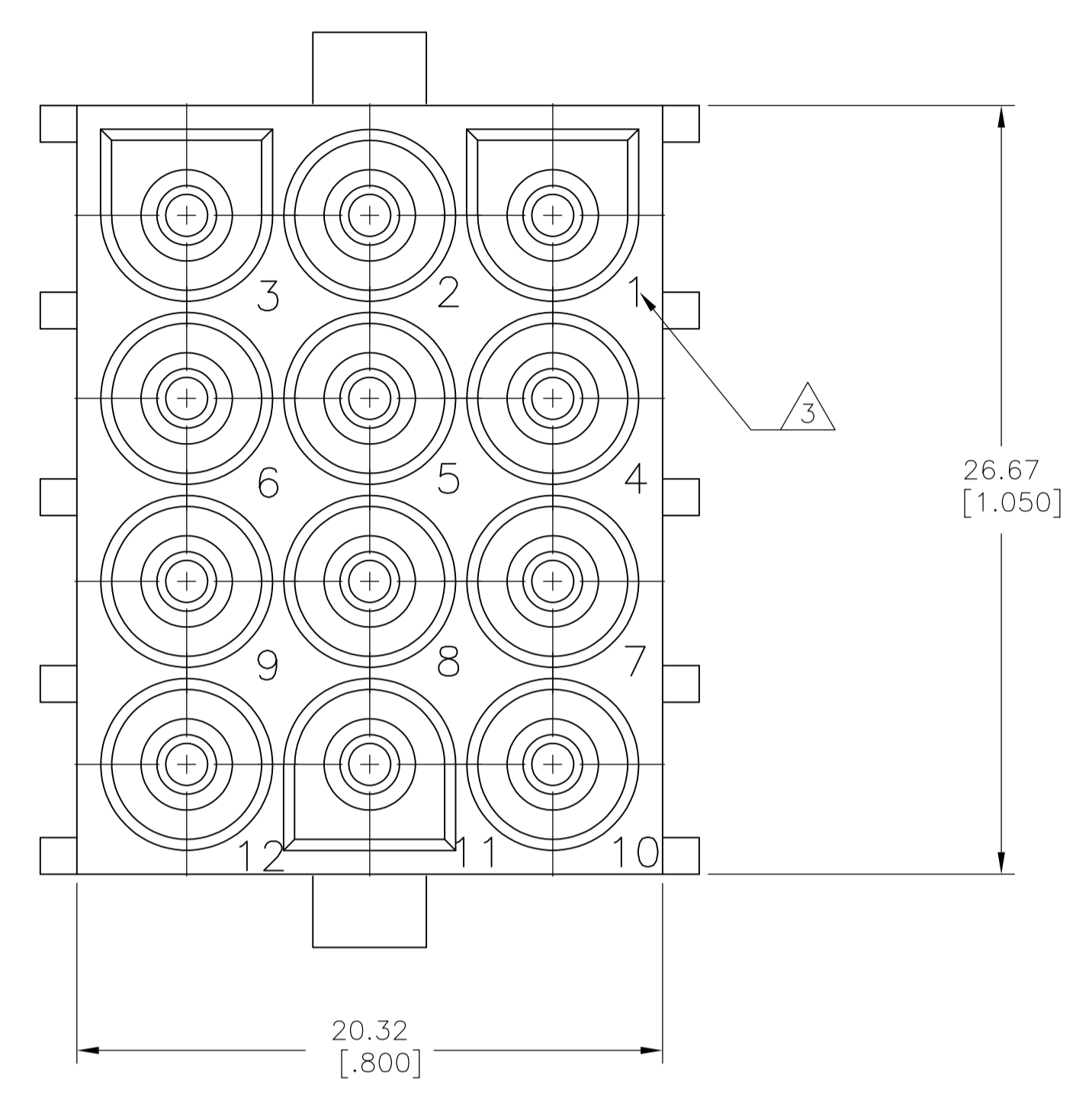
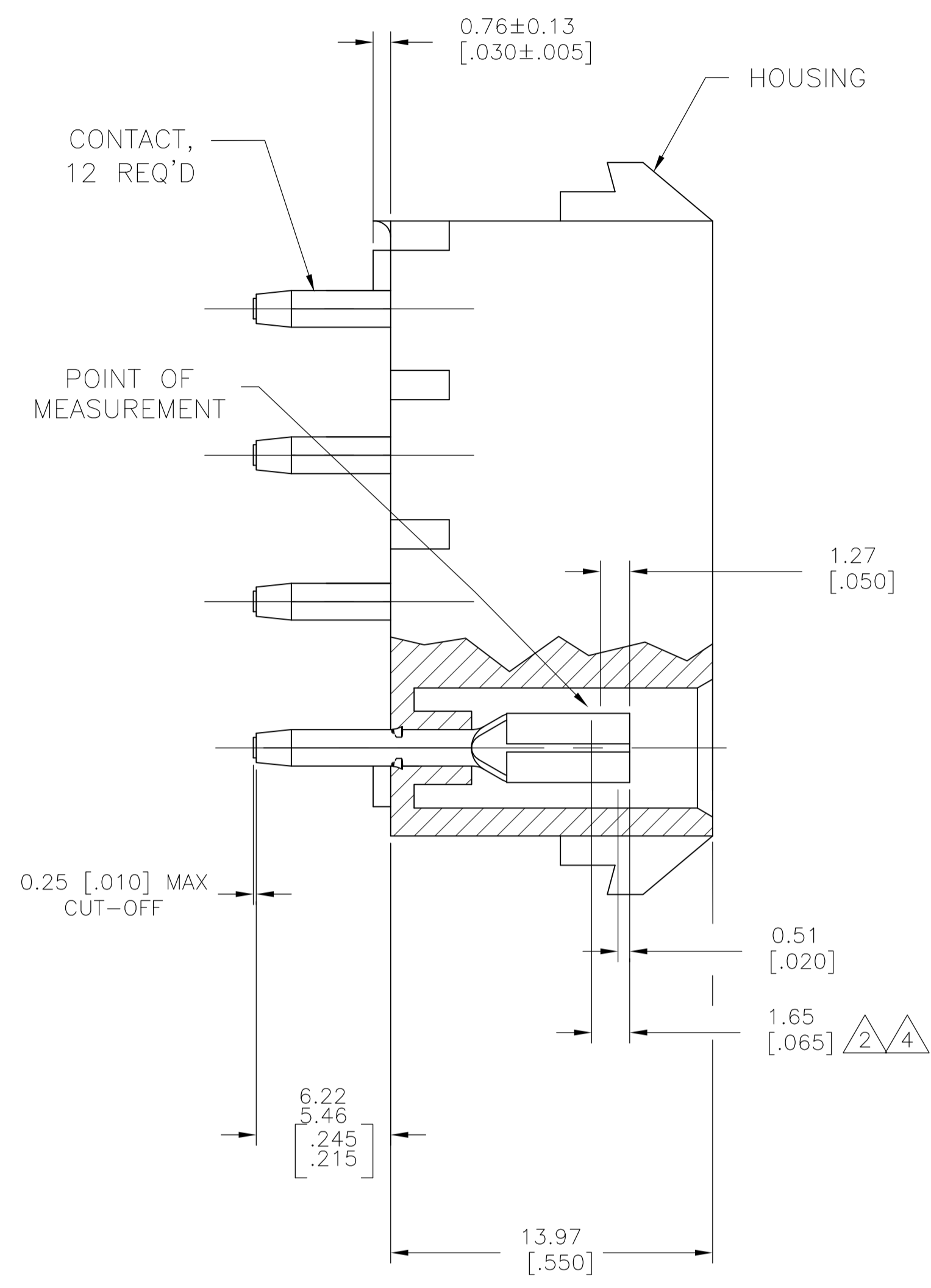
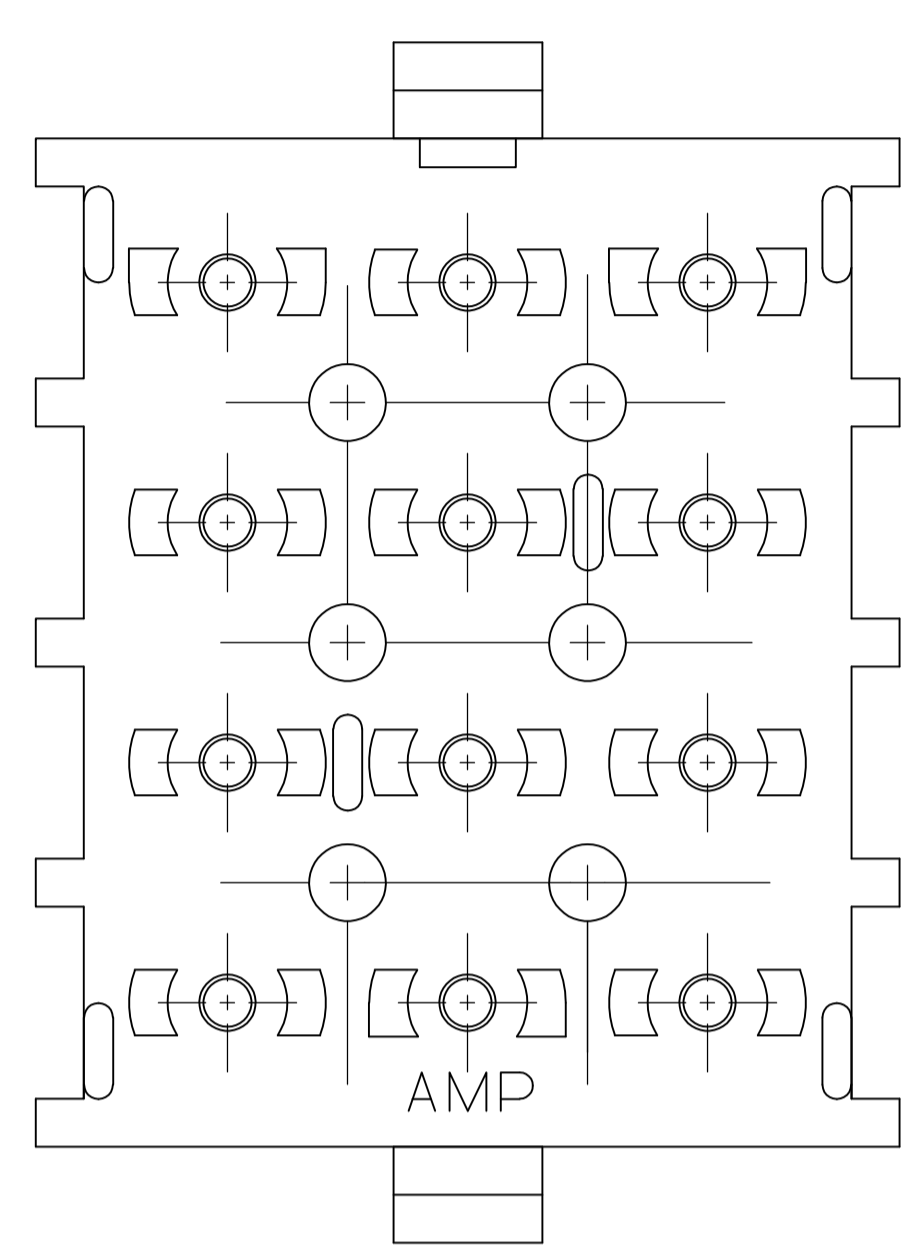


LOC		DIST		REVISIONS			
CM	00	REV	DATE	BY	CHK	APPV	
M2		REVISED PER ECR-12-011660	28JAN13	KH		TM	

- 1 PARTS MUST COMPLY WITH AMP SOLDERABILITY SPEC 109-11-3.
- 2 CONTACT IS STAMPED FROM PRE-PLATED STOCK WHICH IS PLATED OVERALL WITH 0.00127 [.000050] NICKEL, THEN STRIPED WITH 0.00076 [.000030] GOLD IN CONTACT AREA INDICATED AND TIN-LEAD ON SOLDER TAIL END.
- 3 CIRCUIT IDENTIFICATION CHARACTERS ARE ADJACENT TO THE INDICATED CAVITIES, BUT LOCATION AND ORIENTATION MAY DIFFER FROM PRINT.
- 4 CONTACT IS PLATED OVERALL WITH 0.00127 [.000050] NICKEL, THEN 0.00076 [.000030] GOLD OVER CONTACT LENGTH INDICATED AND MATTE TIN ON SOLDER TAIL END.
- 5 SUPERSEDED BY 350836-4



RECOMMENDED LAYOUT FOR 3.18 [.125] THICK PC BOARD

CONTACT	HOUSING	PART NO
PH BRZ GOLD (with texture symbol 4)	NYLON,94V-0	350836-4
PH BRZ GOLD (with texture symbol 2)	NYLON,94V-0	350836-2
PH BRZ TIN	NYLON,94V-0	350836-1

THIS DRAWING IS A CONTROLLED DOCUMENT.		DIN K. WHITAKER 11OCT2005		TE Connectivity	
DIMENSIONS: mm [INCHES]		TOLERANCES UNLESS OTHERWISE SPECIFIED:			
0 PLC ± 1 PLC ± 2 PLC ± 3 PLC ± 0.13 [.005] 4 PLC ± ANGLES ±		CHK S. RIDGILL 11OCT2005 APPV S. RIDGILL 11OCT2005 PRODUCT SPEC		NAME 12 CIRCUIT UNIVERSAL MATE-N-LOK (TM) P.C. BOARD SOCKET HEADER ASSEMBLY	
MATERIAL SEE TABLE		FINISH SEE TABLE		APPLICATION SPEC SIZE CAGE CODE DRAWING NO. RESTRICTED TO A1 00779 C=350836	
CUSTOMER DRAWING		SCALE 5:1		SHEET 1 OF 1 REV M2	