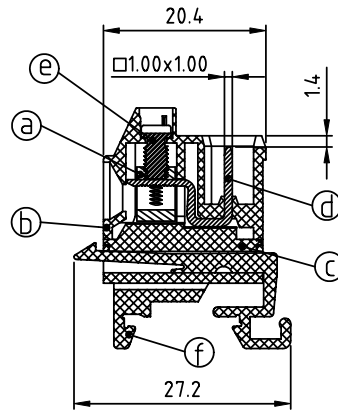
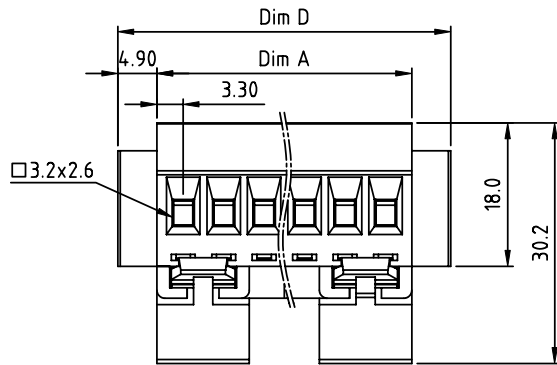
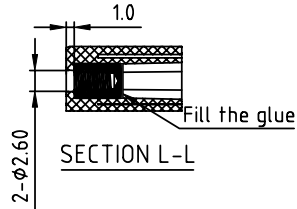
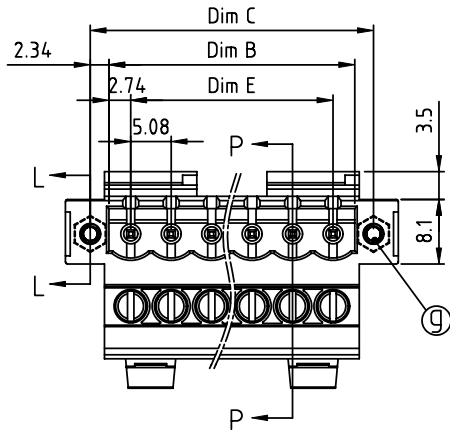


PRODUCT NUMBER	PITCH
V5xx51x300J0G	5.08 mm



SECTION P-P

Material:

- Item ⑨ Clamp: Brass Ni plated
- Item ⑤ Terminal(housing): Thermoplastic (UL94V-0)
- Item ③ Terminal(cover): Thermoplastic (UL94V-0)
- Item ④ Pin: Brass, Tin plated.
- Item ⑥ Terminal screw: Steel Zinc plating salt "-type M3
- Item ⑦ Terminal(track): Thermoplastic (UL94V-0)
- Item ⑧ With flange nut: Brass M2.5

Electrical: cULus

- Voltage rating:300V
- Current rating: 12A
- Wire range:
- Solid wire(AWG):12-30
- Stranded wire(AWG):12-30
- Torque(Lb-In): 4.4
- Screw:M3
- Wire strip length: 6-7 mm
- Withstanding Voltage: 1.6KV
- Operating temperature: -40°C to +115°C
- Safety Approval:

PART NO.: V5 xx 51 x 3 00J0 G

DIMENSION

Dim A	Nx5.08+1.52
Dim B	(N-1)x5.08+5.48
Dim C	(N-1)x5.08+10.16
Dim D	Nx5.08+11.32
Dim E	(N-1)x5.08

N=Number of poles

Poles	Tolerance
2P-6P	±0.20
7P-12P	±0.25
13P-18P	±0.30
19P-24P	±0.40

Solid block	No. of poles	Color	RoHS compliant (lead<4%) In copper Alloy
0	2	Black (RAL9005)	
02	2 poles	Red (RAL3001/D)	
03	3 poles	Orange(RAL2011/P)	
...	...	4 Yellow(RAL1018/A)	
...	...	5 Green(RAL6018/T)	
24	24 poles	6 Blue (RAL5015/A)	
		8 Grey(RAL7035/D)	
		9 White(RAL1102)	
		C Green(RAL6018/U)	

mat'l. code		surface ASME Y14.5	tolerance ASME Y14.5	projection	product family
ltr	ecn no	dr	date		TERMINAL BLOCK
				tolerances unless otherwise specified	title
				angles	TERMINAL BLOCK
				X±0.5	PLUGGABLE PLUG, WITH FLANGE
				X.X±0.3	DIN RAIL MOUNTING, A TYPE
				X'±1"	scale
				dr	EVIN ZHONG 050414
				enr	EVIN ZHONG 050414
				chr	HANKE FENG 050414
				appd	SHI JUN 050414
sheet index		revision	A		dwg no
		sheet	1		V5xx51x300J0G
					sheet 1 of 1
					size A4
					type CUSTOMER Drawing