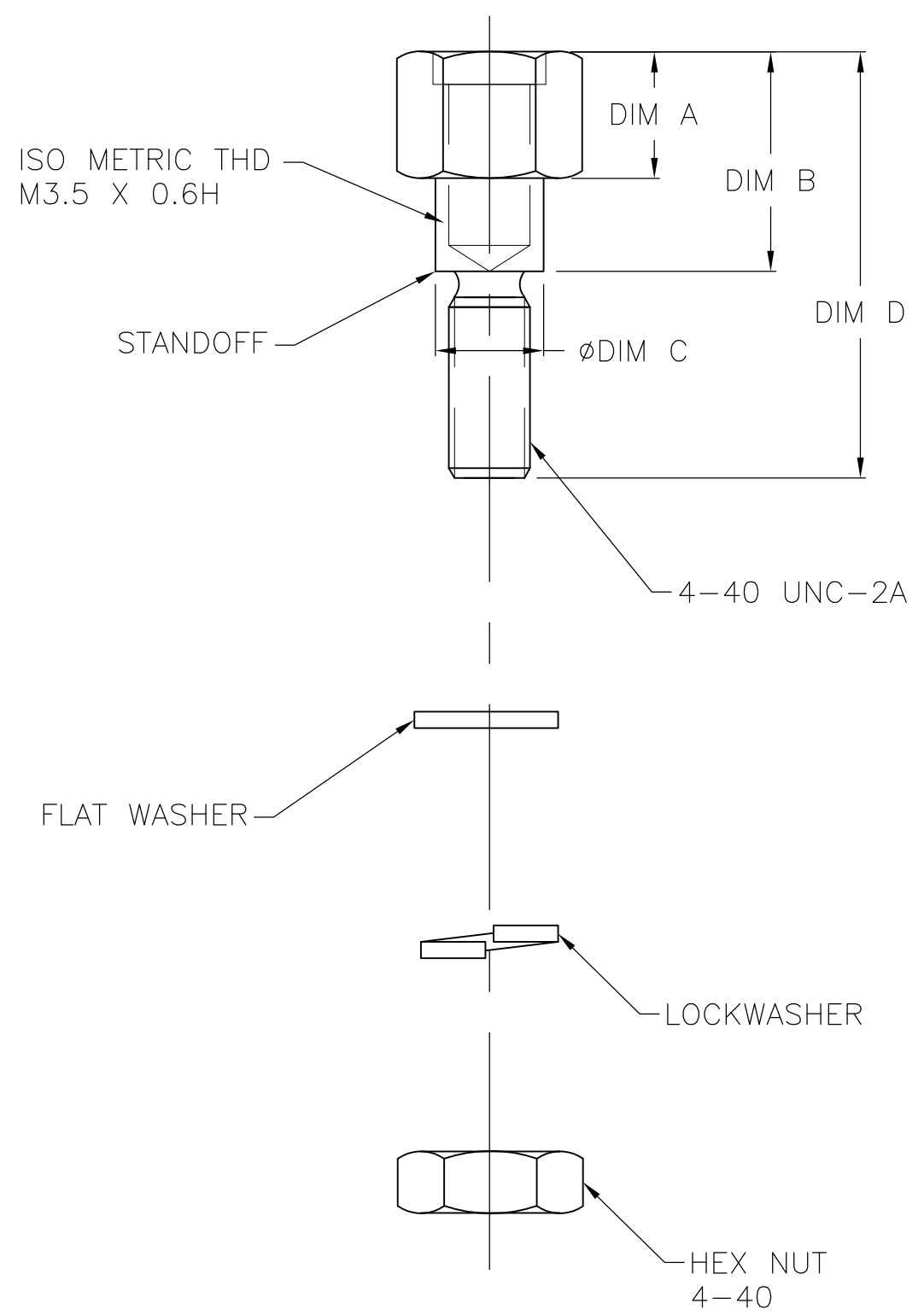


THIS DRAWING IS UNPUBLISHED. RELEASED FOR PUBLICATION
 © COPYRIGHT - By - ALL RIGHTS RESERVED.

LOC	DIST	REVISIONS					
GP	00	P	LTR	DESCRIPTION	DATE	DWN	APVD
		P		REVISED PER ECO-11-004835	11MAR11	RK	HMR



1. ALL DIMENSIONS SHOWN ARE FOR REFERENCE ONLY.
 2. 2 REQUIRED OF EACH COMPONENT PER KIT.
- △3 MATERIAL:
 STANDOFF: BLACK ZINC PLATED CARBON STEEL.
 NUT, FLAT WASHER & LOCKWASHER: ZINC PLATED CARBON STEEL.

16.51[.650]	4.7[.185]	8.5[.335]	4.9[.193]	5552633-4
16.51[.650]	4.2[.165]	8.6[.339]	6.5[.256]	5552633-3
DIM D	DIM C	DIM B	DIM A	PART NUMBER

THIS DRAWING IS A CONTROLLED DOCUMENT.		DWN B. MCMASTER 030CT05	STE TE Connectivity	
DIMENSIONS: mm [INCHES]		CHK W. MILLHIMES 030CT05		
TOLERANCES UNLESS OTHERWISE SPECIFIED:		APVD W. MILLHIMES 030CT05	NAME	
0 PLC ± -		PRODUCT SPEC	HARDWARE KIT, STANDOFF, STUD MOUNT, METRIC	
1 PLC ± -		APPLICATION SPEC	SIZE	CAGE CODE
2 PLC ± -		WEIGHT	A3	00779
3 PLC ± -		CUSTOMER DRAWING	DRAWING NO	C-5552633
4 PLC ± -		SCALE	4:1	SHEET 1 OF 1
ANGLES ± -		RESTRICTED TO	REV P	
FINISH				
△3				