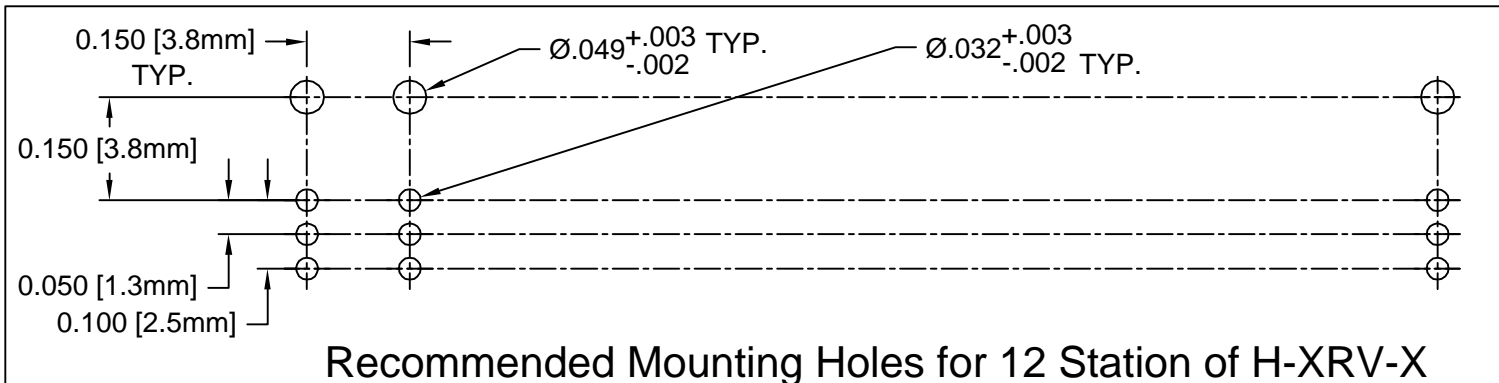
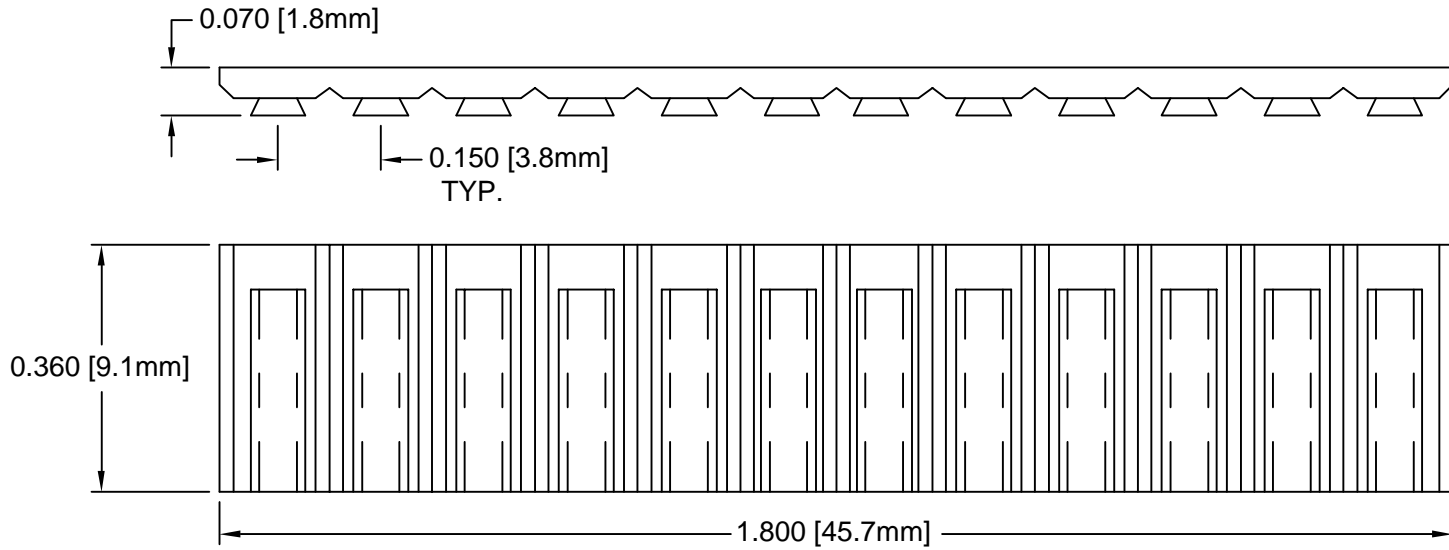


REV.	DESCRIPTION	DATE	APPROVED
B	Engineering Update w/o Changes	02/27/04	M. C.



2. MATERIAL: NYLON 6/6, 94V-0, BLACK. BIVAR MATERIAL CODE 22-BK.  
RTP POLYAMIDE NYLON 6/6, 0200 FR, BLACK OR MODIFIED PLASTICS MN6/6-SE BK.
1. GENERAL SPECIFICATIONS: BIVAR MOLDED COMPONENT SPECIFICATION BV00-E101.

STANDARD TOLERANCE (UNLESS OTHERWISE SPECIFIED)		 <b>BIVAR</b> <sup>®</sup> 4 THOMAS, IRVINE, CA. 92618 TEL: (949) 951-8808 FAX: (949) 951-3974			
DECIMALS	ANGULAR				
.X ± .1	X° ± 1°		<b>TITLE:</b> H-3RV SERIES 12 STATION COUPLING BAR		
.XX ± .01				<b>PART NO:</b> H-3RVC	<b>REVISION:</b> B
.XXX ± .005		<b>DESIGNED:</b> Shane Irving	<b>DATE:</b> 05/05/99	<b>CAGE CODE :</b> 32559	<b>SHEET #</b> 1 OF 1
		<b>CHECKED:</b> Shane Irving	<b>DATE:</b> 02/27/04	CAD GENERATED DOCUMENT. DO NOT MEASURE DRAWING.	