

MODEL NUMBER
ADT-2826-FF-TNC-02

NOTES:

1.0 MATERIALS:

- 1.1 HOUSING: STAINLESS STEEL PER ASTM-A582, TYPE 303.
- 1.2 CENTER CONTACT: BERYLLIUM COPPER ROD ALLOY C172, PER ASTM-B196.
- 1.3 DIELECTRIC: PTFE FLUOROCARBON PER ASTM-D1457.

2.0 PLATING:

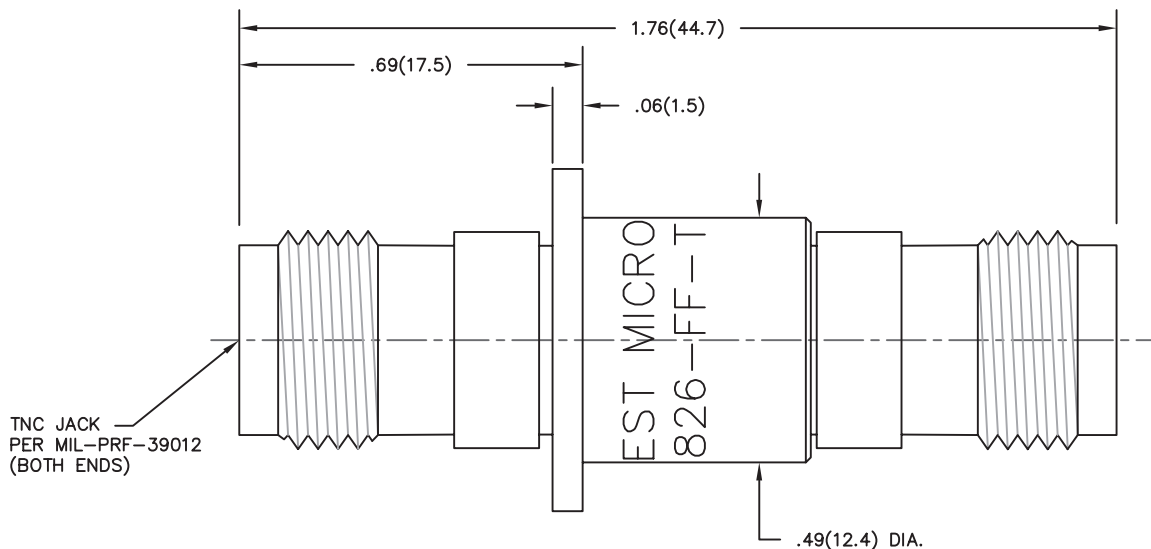
- 2.1 HOUSING: PASSIVATED PER MIL-F-14072 AND QQ-P-35
- 2.2 CENTER CONTACT: GOLD PER MIL-G-45204, TYPE II, CLASS 2

3.0 ELECTRICAL SPECIFICATIONS:

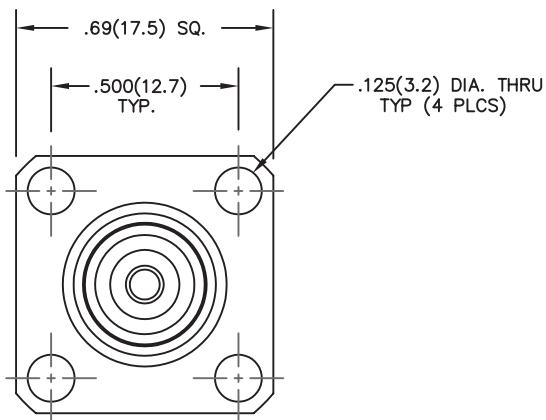
- 3.1 FREQUENCY RANGE: DC to 18.0 GHz
- 3.2 VSWR (MAX):
 - DC to 4.0 GHz: 1.05:1
 - 4.0 to 8.0 GHz: 1.10:1
 - 8.0 to 18.0 GHz: 1.15:1
- 3.3 IMPEDANCE: 50 OHMS

4.0 MARKING:

MARK UNIT AS SHOWN
(REF.: INK-02638-27-12)




TNC JACK
PER MIL-PRF-39012
(BOTH ENDS)



END VIEW
NOT TO SCALE

NOTICE: The information contained in this drawing is proprietary and must not be used without the permission of Cinch Connectivity Solutions.

UNLESS OTHERWISE NOTED DIMENSIONS ARE IN INCHES AND TOLERANCES ARE:
3 PLACE DECIMALS ±.005
2 PLACE DECIMALS ±.02
FRACTIONS ±1/64
PARALLELITY: T.I.R. _____
FLATNESS: T.I.R. _____
CONCENTRICITY: T.I.R. _____
ANGLES AND PERPENDICULARITY: ±1'

CAGE CODE 34078		MIDWEST MICROWAVE	
		TITLE ADAPTER TNC JACK TO TNC JACK FLANGE MOUNT OUTLINE DRAWING	
		DRAWN/DATE A.BEATTY 2/27/95	ENG./DATE A.OSGA 3/8/95
CHECKED/DATE P.GOODMAN 3/2/95		APPROVED/DATE	
SCALE: 5=1		SHEET 1 of 1	

REV.	DESCRIPTION	DATE
-	RELEASED	3/8/95
-1	ADDED TITLEBLOCK	3/17/05