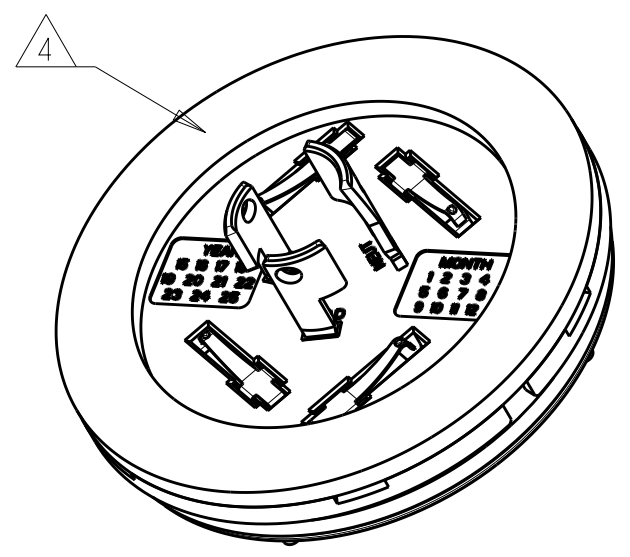
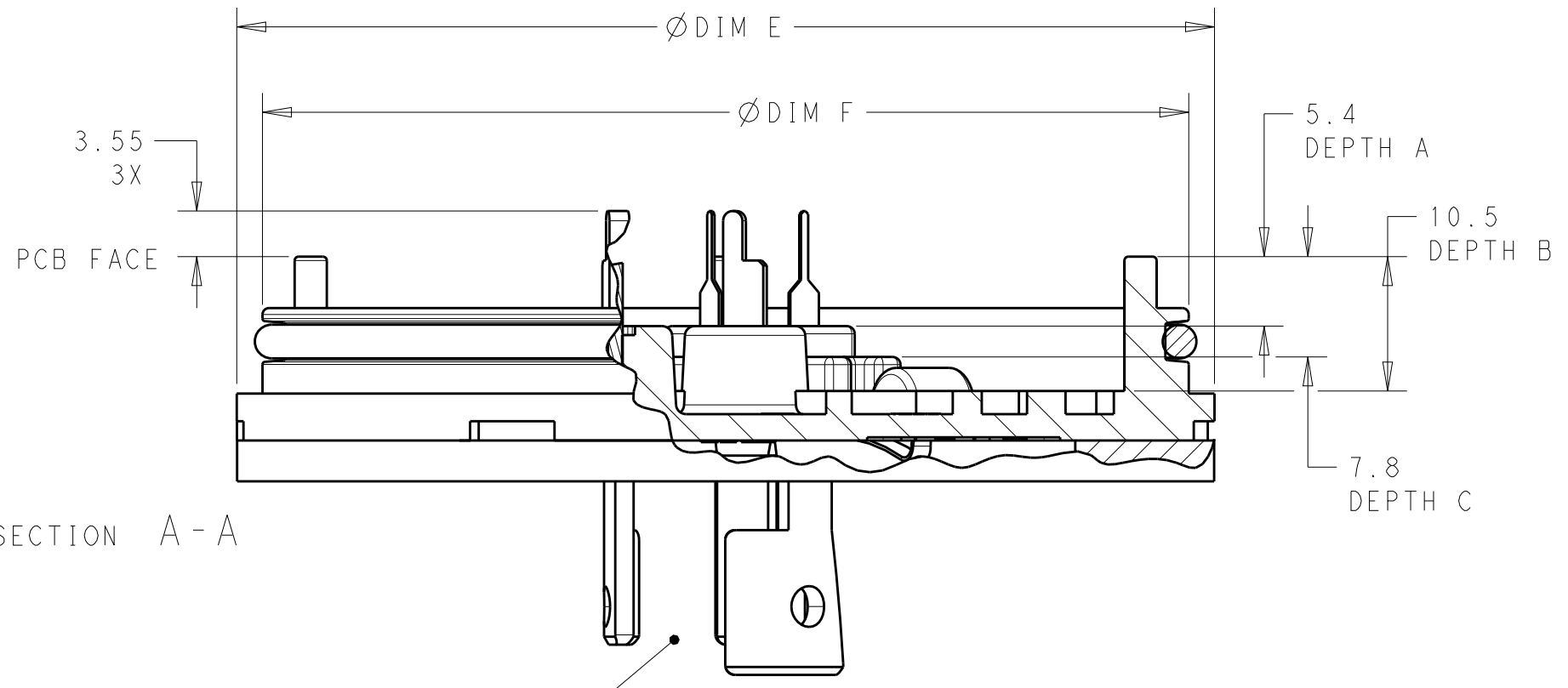


THIS DRAWING IS UNPUBLISHED. RELEASED FOR PUBLICATION 20
 © COPYRIGHT 20 BY - ALL RIGHTS RESERVED.

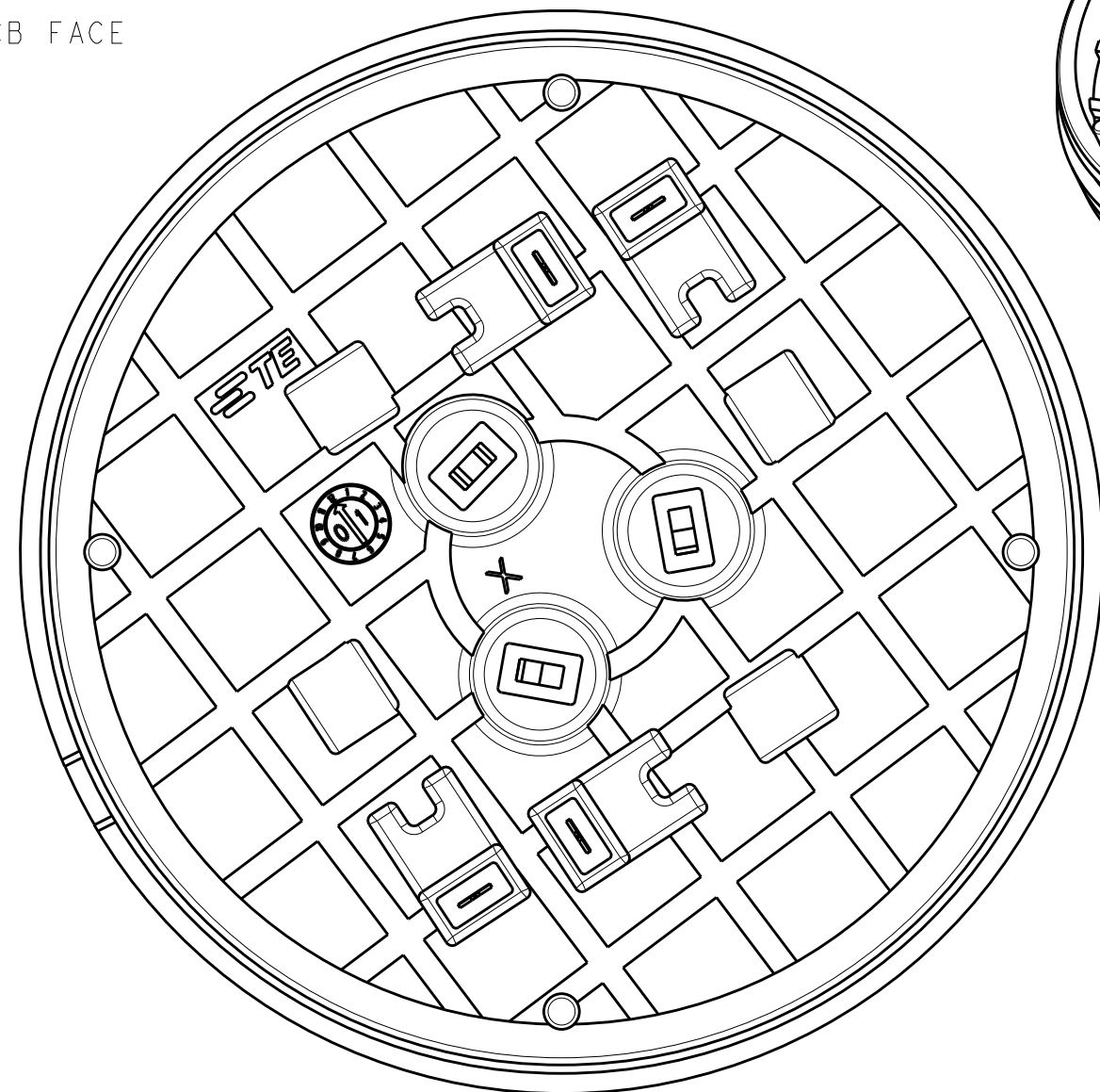
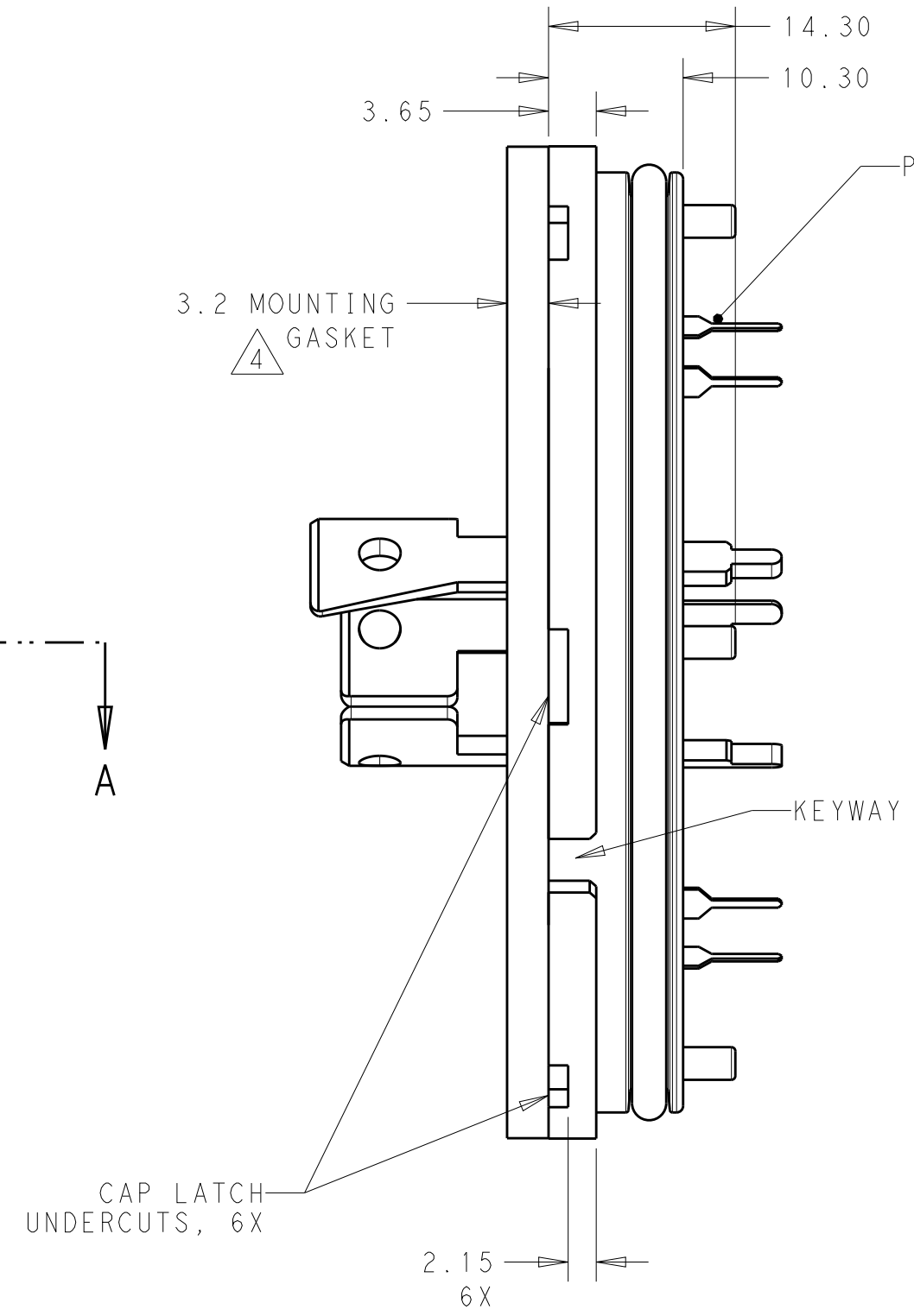
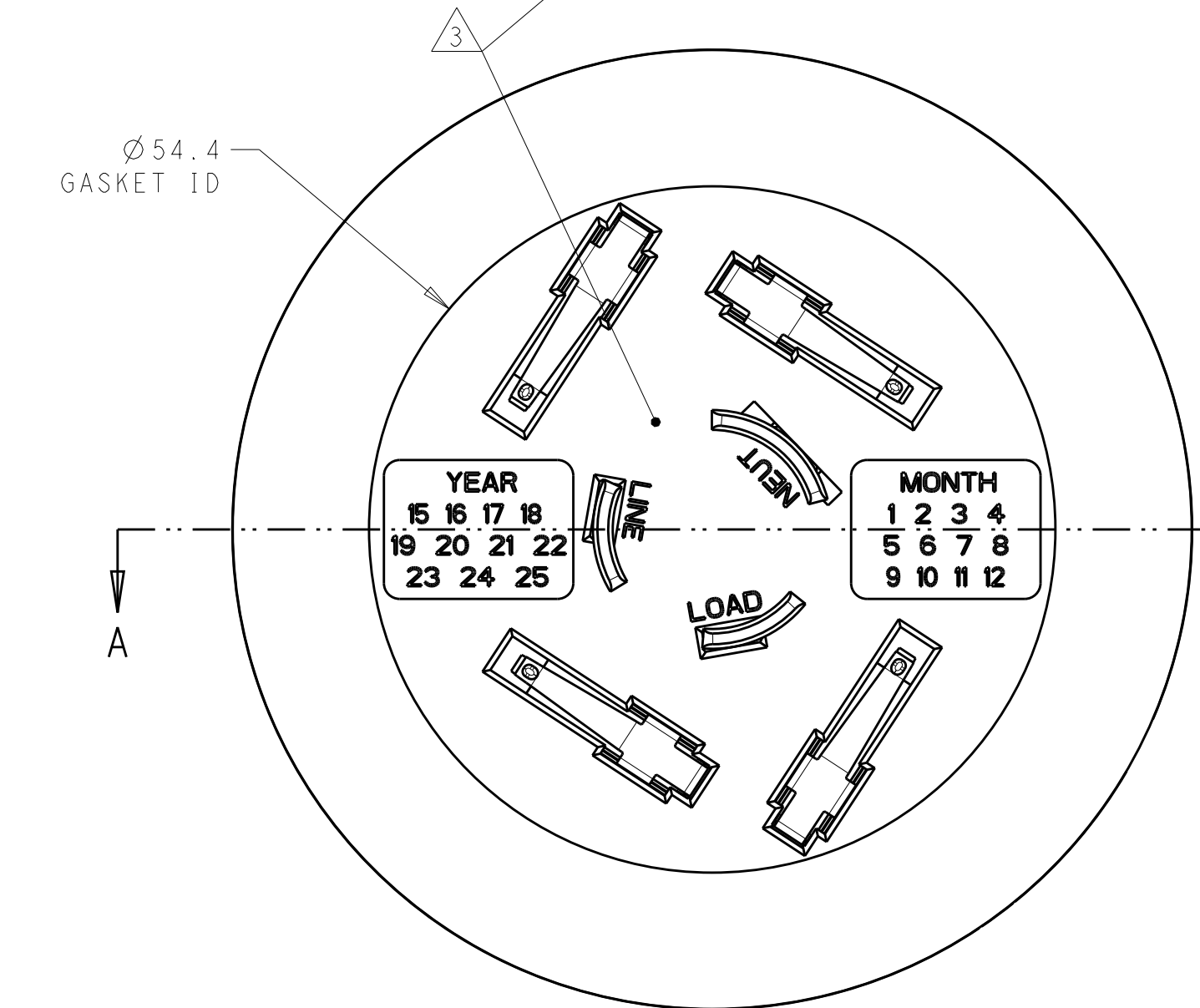
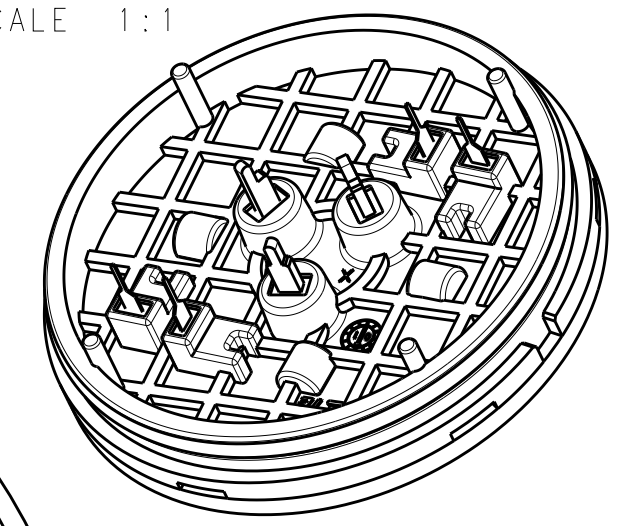
REVISONS		DATE	DWN	APVD
P	LTR	DESCRIPTION		
A1		REVISED PER ECR-16-008842	RS	DD
A2		REVISED PER ECR-16-010573	RS	DD
A3		REVISED PER ECR-16-012776	RS	PO
A4		REVISED PER ECR-16-016318	RS	PO

NOTES:

- 1 MATERIALS:
 HOUSING: PBT
 DIMMING CONTACTS (QTY. 4): COPPER ALLOY
 LINE VOLTAGE CONTACTS (QTY. 3): COPPER ALLOY
 GASKET: VINYL/NITRILE FOAM
 O-RING: SILICONE RUBBER
- 2 FINISH:
 DIMMING CONTACTS: NICKEL UNDERPLATE ENTIRE
 CONTACT 0.127 µm MIN THICK. SELECTIVE GOLD PLATE CONTACT
 MATING AREA (MATING FACE SIDE ONLY) 0.76 µm MIN THICK.
 MATTE TIN PLATE TAB ON BOTH SIDES 0.30 µm MIN THICK.
 LINE VOLTAGE CONTACTS: MATTE TIN PLATE
- 3 MATING INTERFACE PER ANSI C136.41-2013.
- 4 ADHESIVE BACKED GASKET SUPPLIED BUT NOT INSTALLED
- 5 MATING CAP TE P/N: 2213748-X
- 6 NOTE DELETED.
- 7. THIS PRODUCT HAS NOT COMPLETED VALIDATION TESTING.



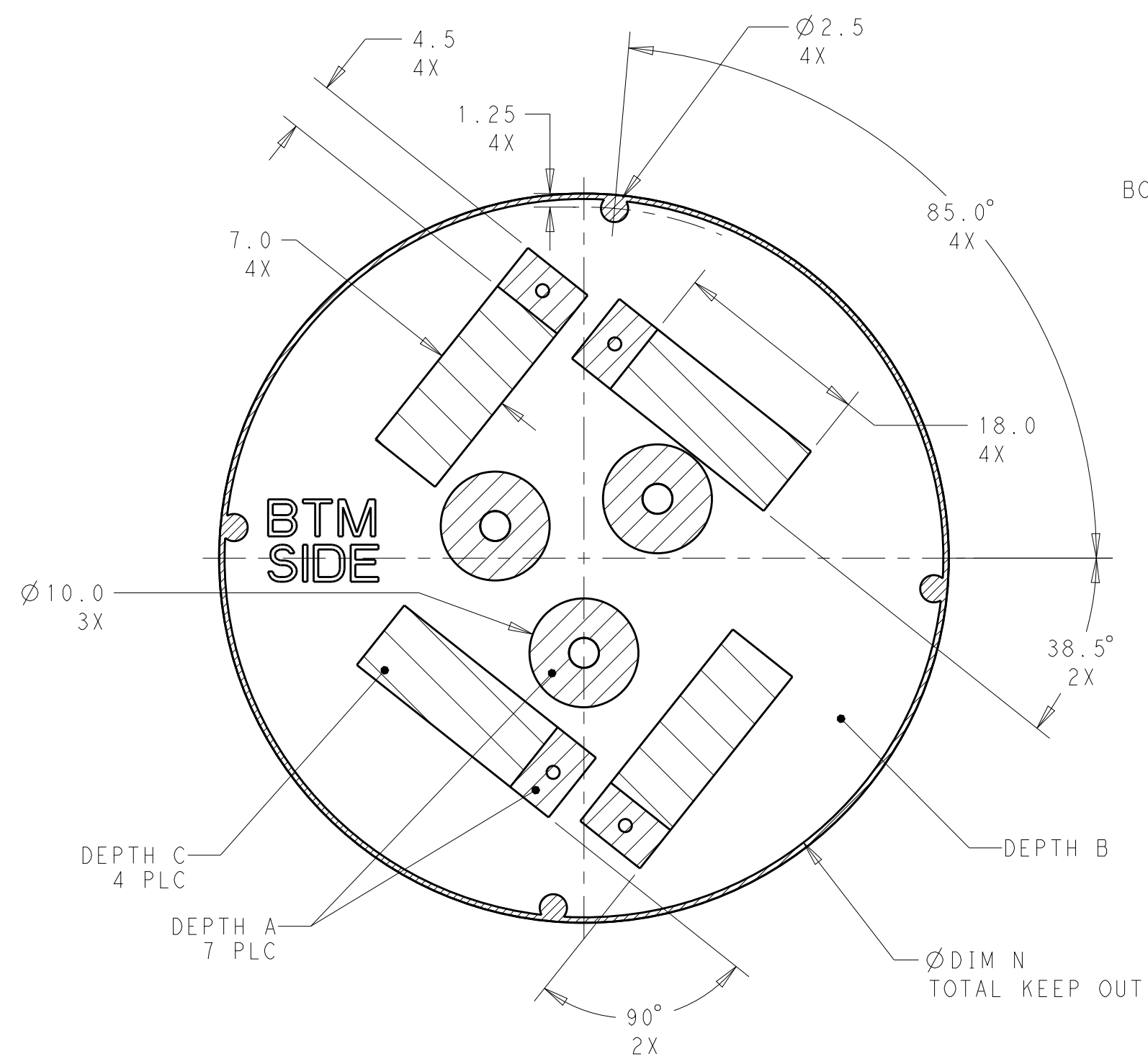
SCALE 1:1



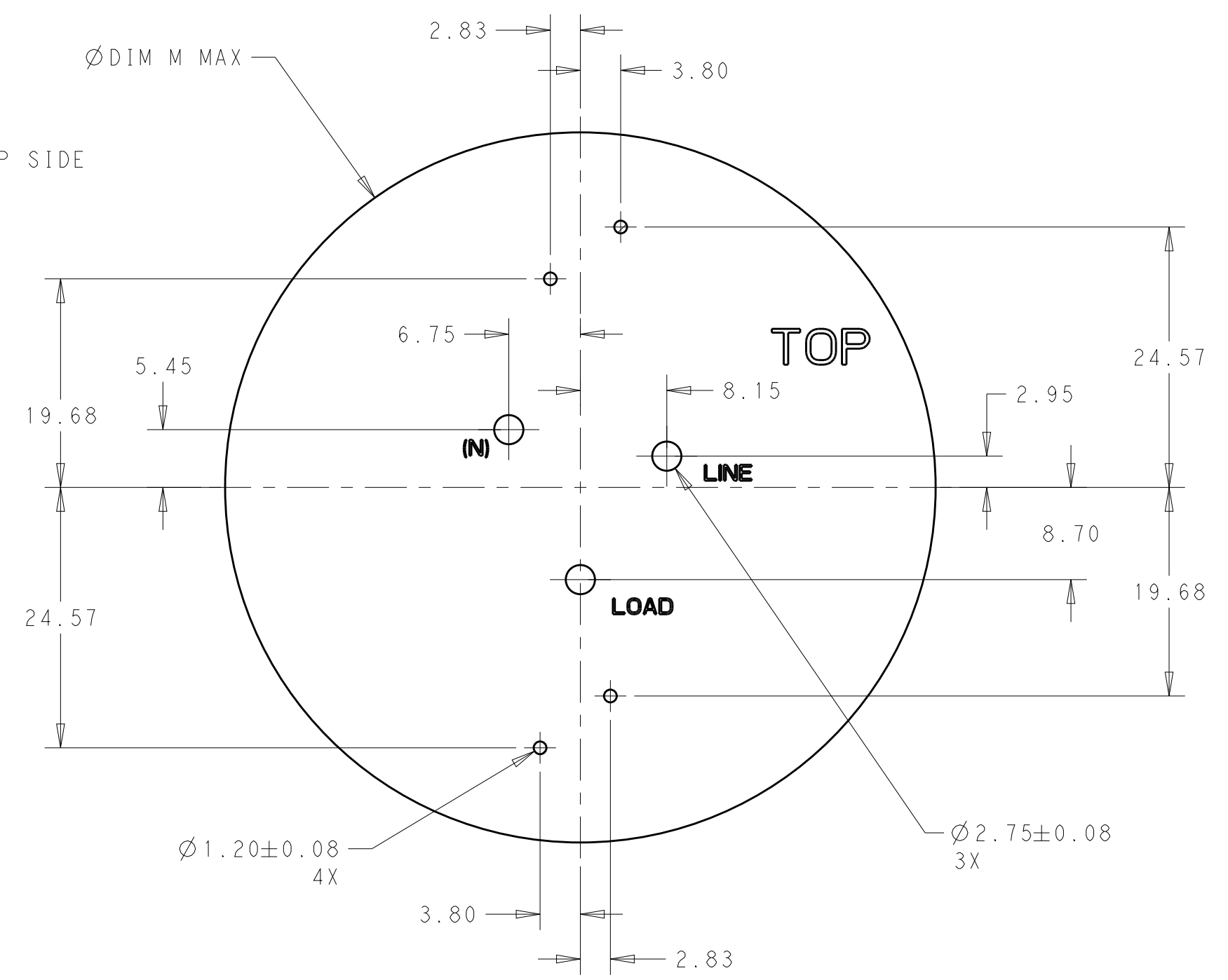
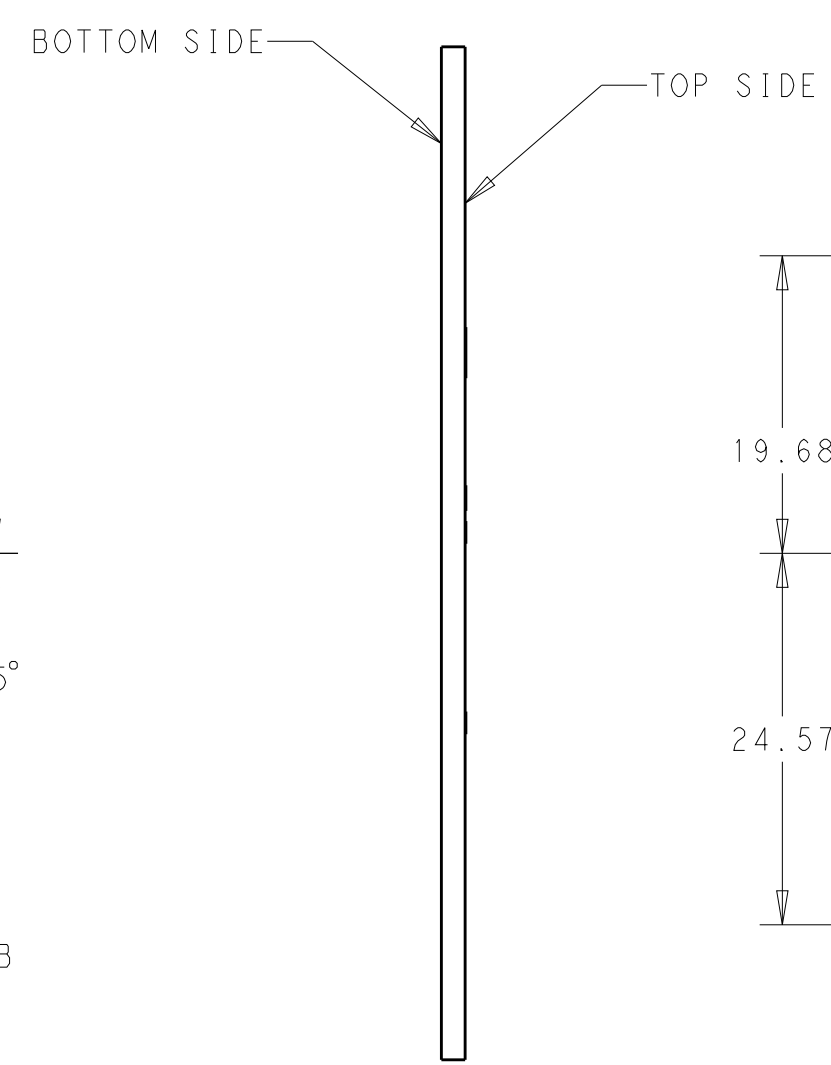
Ø77.00	Ø73.00	Ø66.00	Ø69.00	Ø72.00	Ø76.00	2213730-1
DIM Y	DIM X	DIM N	DIM M	DIM F	DIM E	PART NO.
THIS DRAWING IS A CONTROLLED DOCUMENT.		DWN C. DAILY 28SEP2015	TE Connectivity NAME BASE ASSEMBLY, LIGHT CONTROLLER			
DIMENSIONS: mm		CHK E. HOWARD 28SEP2015				
TOLERANCES UNLESS OTHERWISE SPECIFIED:		APVD -	PRODUCT SPEC 108-32125	SIZE A2	CAGE CODE -	DRAWING NO. G-2213730
0 PLC ±		APVD -	APPLICATION SPEC 114-32159	RESTRICTED TO -	SCALE 2:1 SHEET 1 OF 3 REV A4	
1 PLC ±0.2		MATERIAL 1 -	WEIGHT -	CUSTOMER DRAWING		
2 PLC ±0.13		FINISH 2 -				
3 PLC ±		ANGLES ±3°				
4 PLC ±						

THIS DRAWING IS UNPUBLISHED. RELEASED FOR PUBLICATION 20
 © COPYRIGHT 20 BY - ALL RIGHTS RESERVED.

LOC		DIST		REVISIONS			
P	LTR	DESCRIPTION	DATE	DWN	APVD		
-	-	SEE SHEET 1	-	-	-		



COMPONENT KEEP OUT AREAS

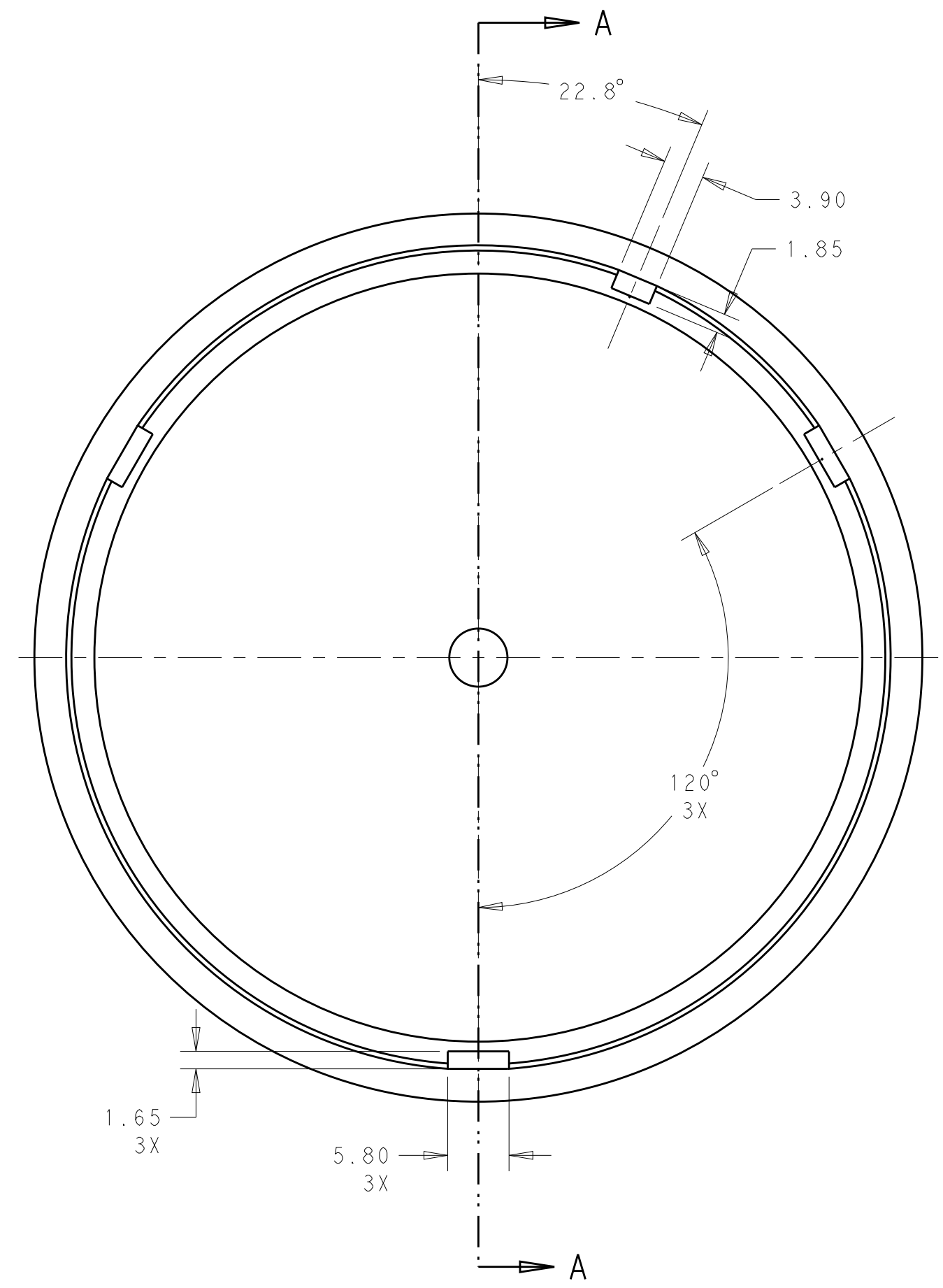
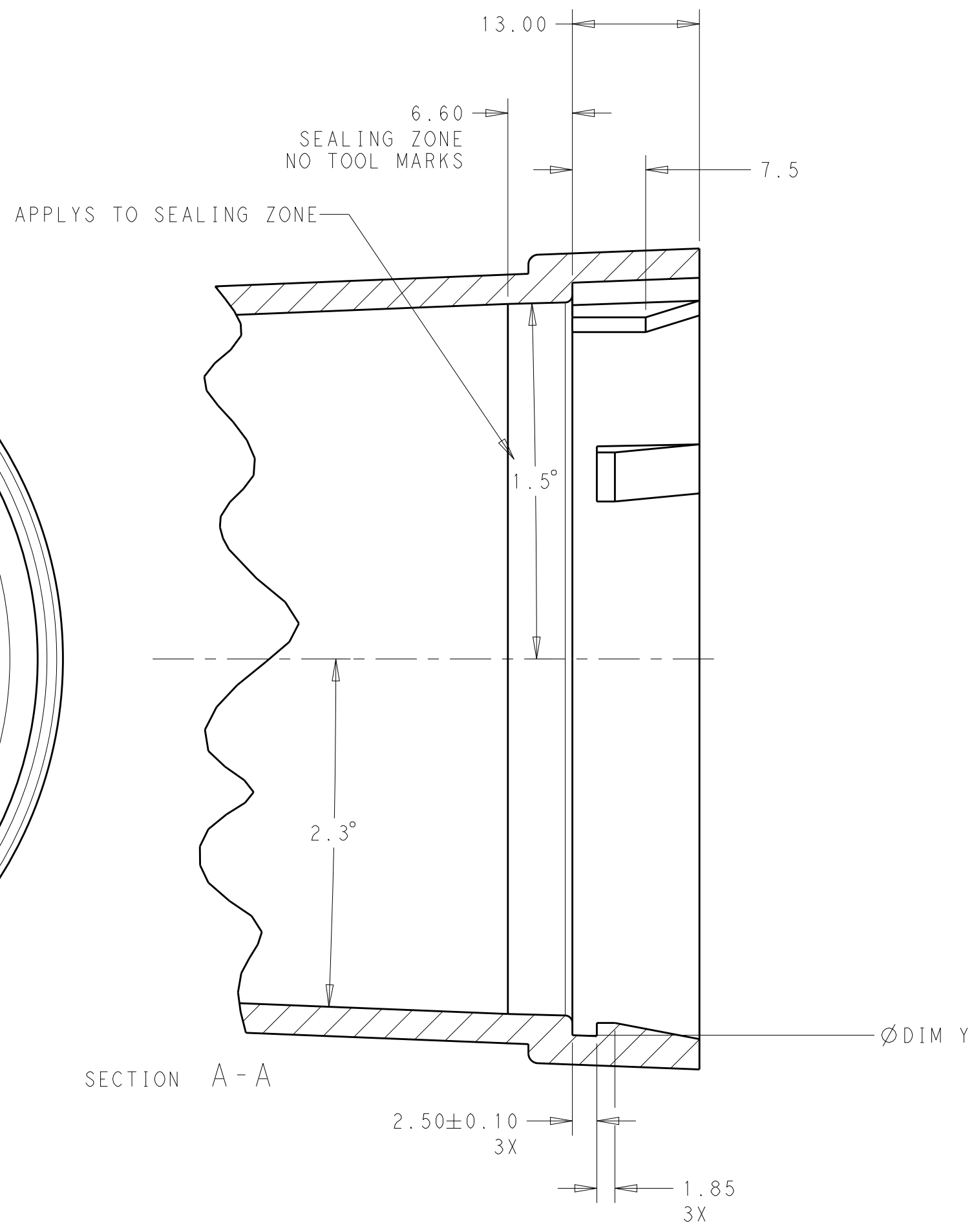
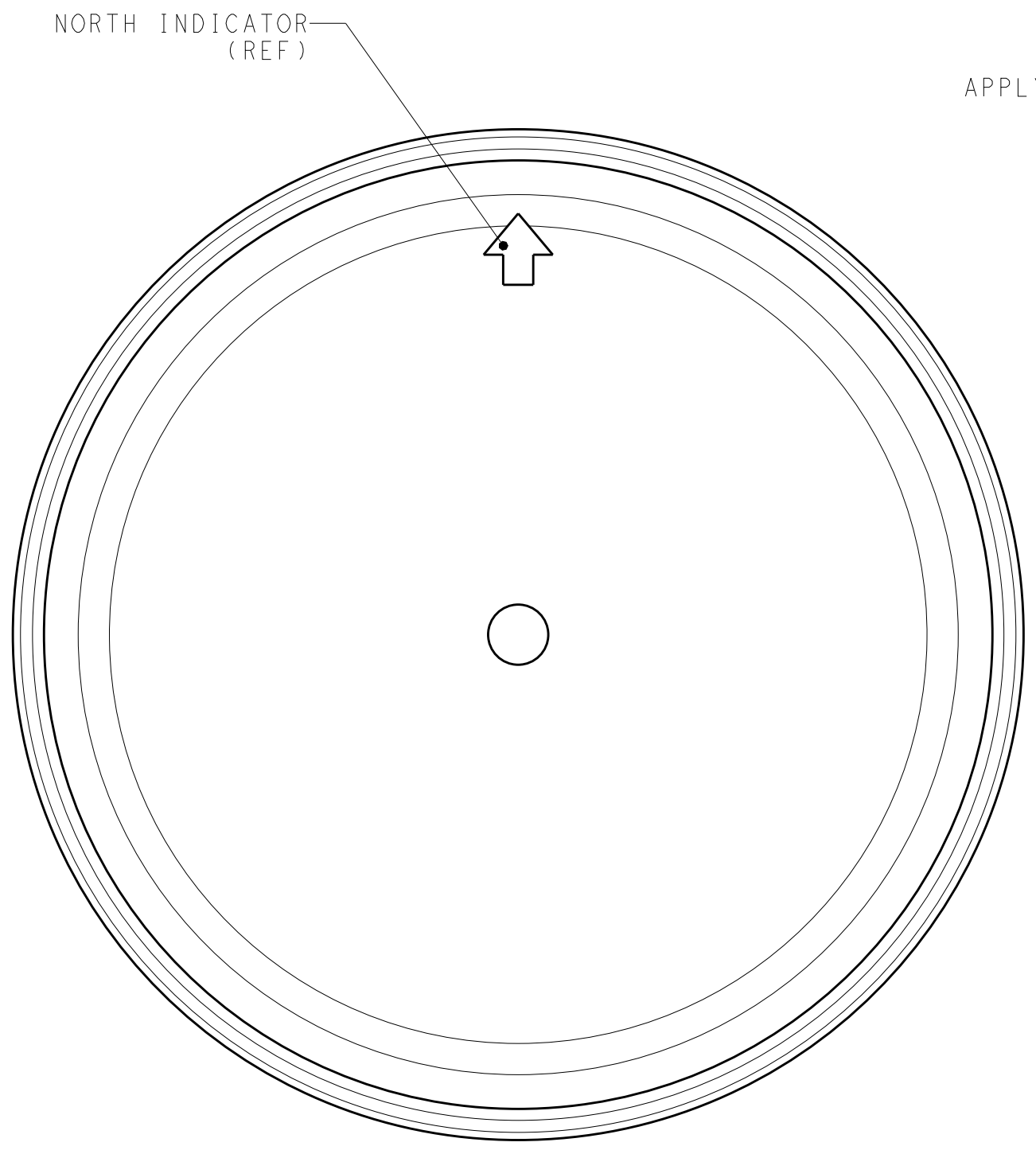


RECOMMENDED PCB SCALE 2:1

THIS DRAWING IS A CONTROLLED DOCUMENT.		DWN C. DAILY 28SEP2015	TE Connectivity															
		CHK E. HOWARD 28SEP2015																
DIMENSIONS: mm		TOLERANCES UNLESS OTHERWISE SPECIFIED:		NAME BASE ASSEMBLY, LIGHT CONTROLLER														
<table border="1"> <tr><td>0 PLC</td><td>±</td></tr> <tr><td>1 PLC</td><td>±0.2</td></tr> <tr><td>2 PLC</td><td>±0.13</td></tr> <tr><td>3 PLC</td><td>±</td></tr> <tr><td>4 PLC</td><td>±</td></tr> <tr><td>ANGLES</td><td>±3°</td></tr> <tr><td>FINISH</td><td>-</td></tr> </table>		0 PLC	±	1 PLC	±0.2	2 PLC	±0.13	3 PLC	±	4 PLC	±	ANGLES	±3°	FINISH	-	PRODUCT SPEC 108-32125	SIZE A2	CAGE CODE -
0 PLC	±																	
1 PLC	±0.2																	
2 PLC	±0.13																	
3 PLC	±																	
4 PLC	±																	
ANGLES	±3°																	
FINISH	-																	
MATERIAL -		APPLICATION SPEC 114-32159	DRAWING NO C-2213730	RESTRICTED TO -														
		WEIGHT -	SCALE 1:1	SHEET 2 OF 3														
		CUSTOMER DRAWING	REV A4															

THIS DRAWING IS UNPUBLISHED. RELEASED FOR PUBLICATION 20
 © COPYRIGHT 20 BY - ALL RIGHTS RESERVED.

LOC		DIST		REVISIONS			
P	LTR	DESCRIPTION		DATE	DWN	APVD	
-	-	SEE SHEET 1		-	-	-	



MATING CAP DIMENSIONS $\nabla 5$

THIS DRAWING IS A CONTROLLED DOCUMENT.		DWN C. DAILY 28SEP2015	STE TE Connectivity	
		CHK E. HOWARD 28SEP2015		
DIMENSIONS:		APVD -	NAME BASE ASSEMBLY, LIGHT CONTROLLER	
mm	TOLERANCES UNLESS OTHERWISE SPECIFIED:	PRODUCT SPEC 108-32125	SIZE A2	
0 PLC	±	APPLICATION SPEC 114-32159	CAGE CODE -	DRAWING NO C-2213730
1 PLC	±0.2	WEIGHT -	RESTRICTED TO -	SCALE 2:1
2 PLC	±0.13	CUSTOMER DRAWING	SHEET 3 OF 3	REV A4
3 PLC	±			
4 PLC	±			
ANGLES	±3°			
FINISH	-			