



PRODUCT DATASHEET

Lenina series

last update 31/10/2016

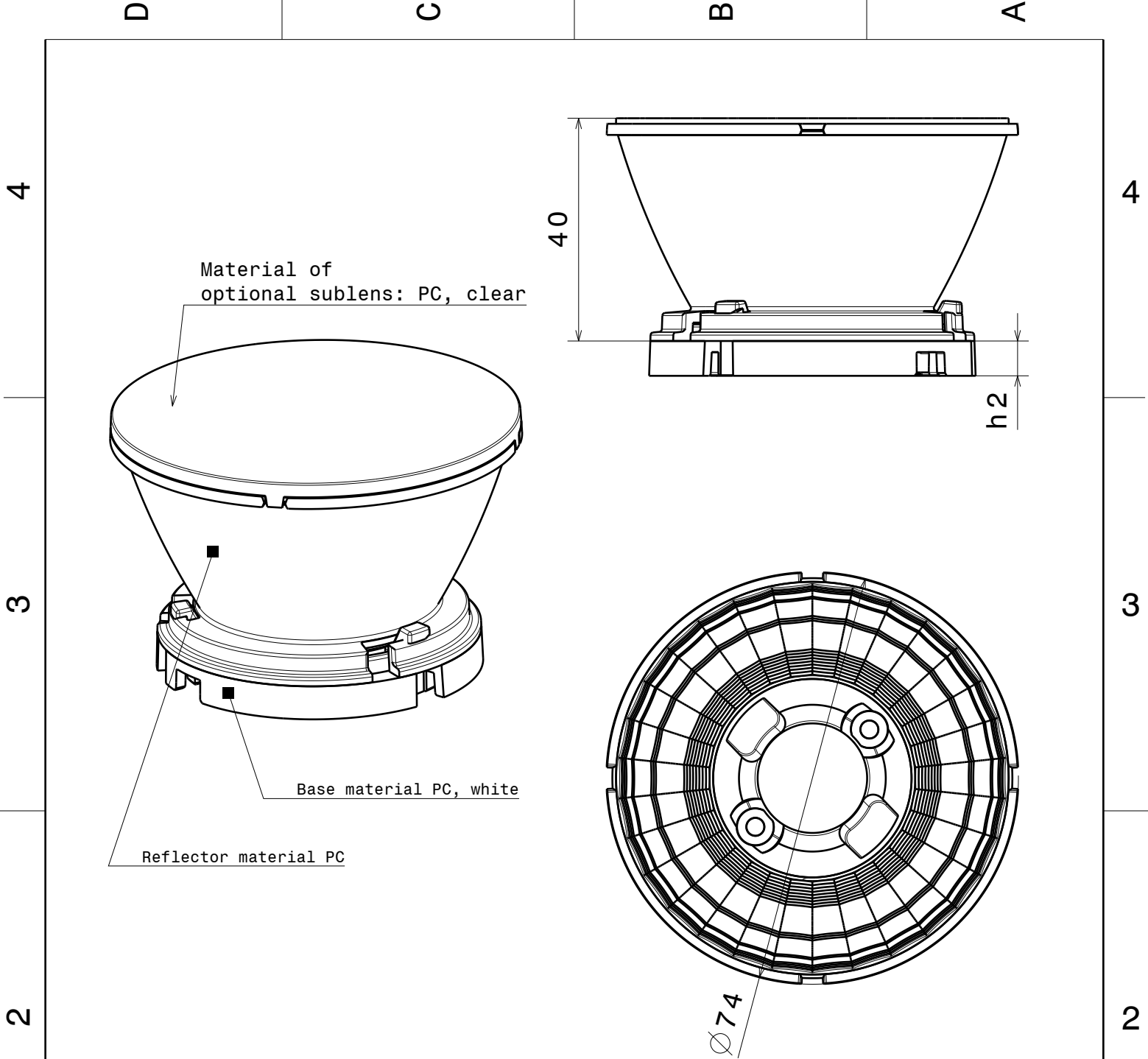
DETAILS

Product Number	CN13196_LENINA-S
Family	Lenina
Type	RefPack
Color	metal
Diameter	74 mm
Height	46,95 mm
Style	round
Optic Material	
Holder Material	
Fastening	screw, socket
Status	production ready
ROHS Compliant	Yes
Date Updated	31/10/2016

OPTICAL PROPERTIES

LED	Viewing Angle	Light Beam	Efficiency	cd/lm	Connector
CXA/B 15xx	10 deg	Spot	91 %	12.050	-






NOTE:

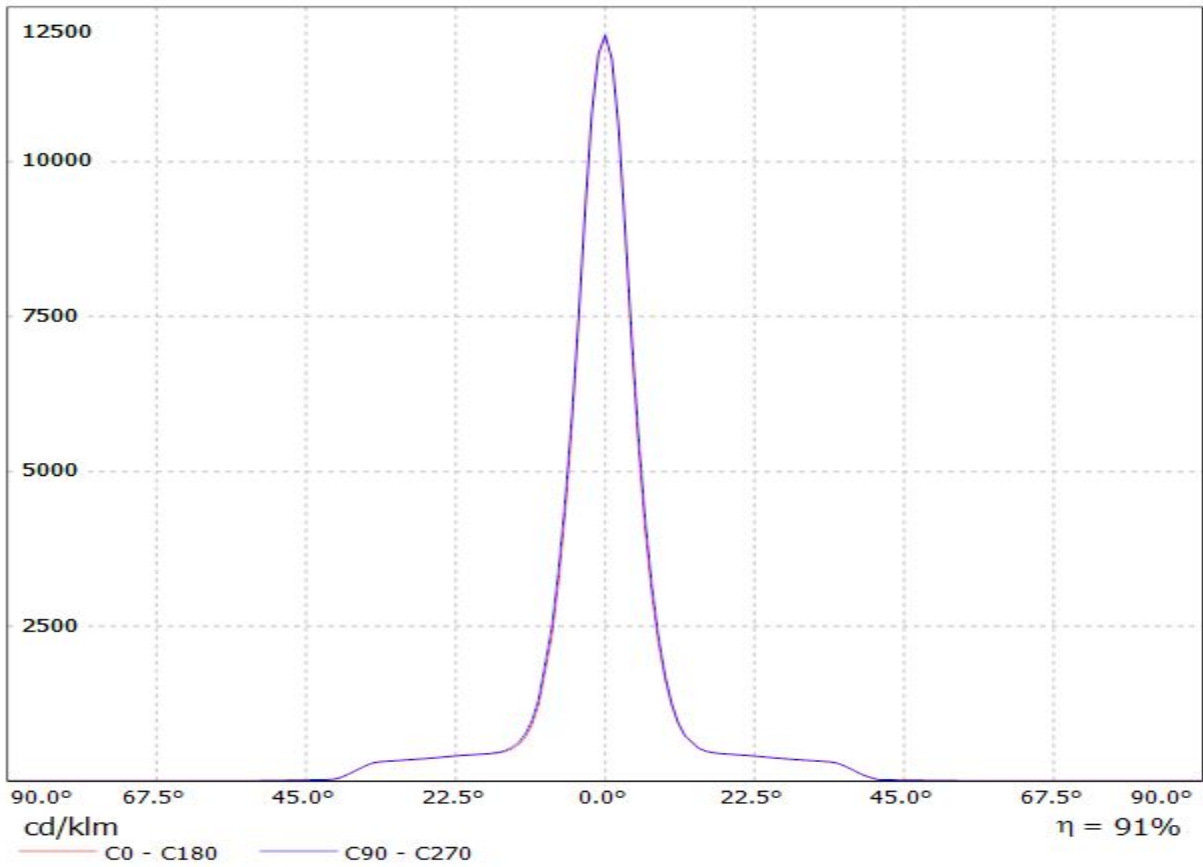
Using optional sublens, add 2.1mm to the system height

Dimension 'h2' varies from 4.5mm to 7mm depending on the LED specific base part

This drawing is our property. It can't be reproduced or communicated without our written agreement.		 Ledil Oy Salorankatu 10 FIN-24240 SALO Finland		
				DRAWING TITLE
DRAWN BY	DATE	Datasheet Lenina series		
ks	23.04.2014			
CHECKED BY	DATE	SIZE	DRAWING NUMBER	REV
		A4	--	1
DESIGNED BY	DATE	SCALE	WEIGHT (g)	SHEET
p1	08.03.2012	1:1		1/1

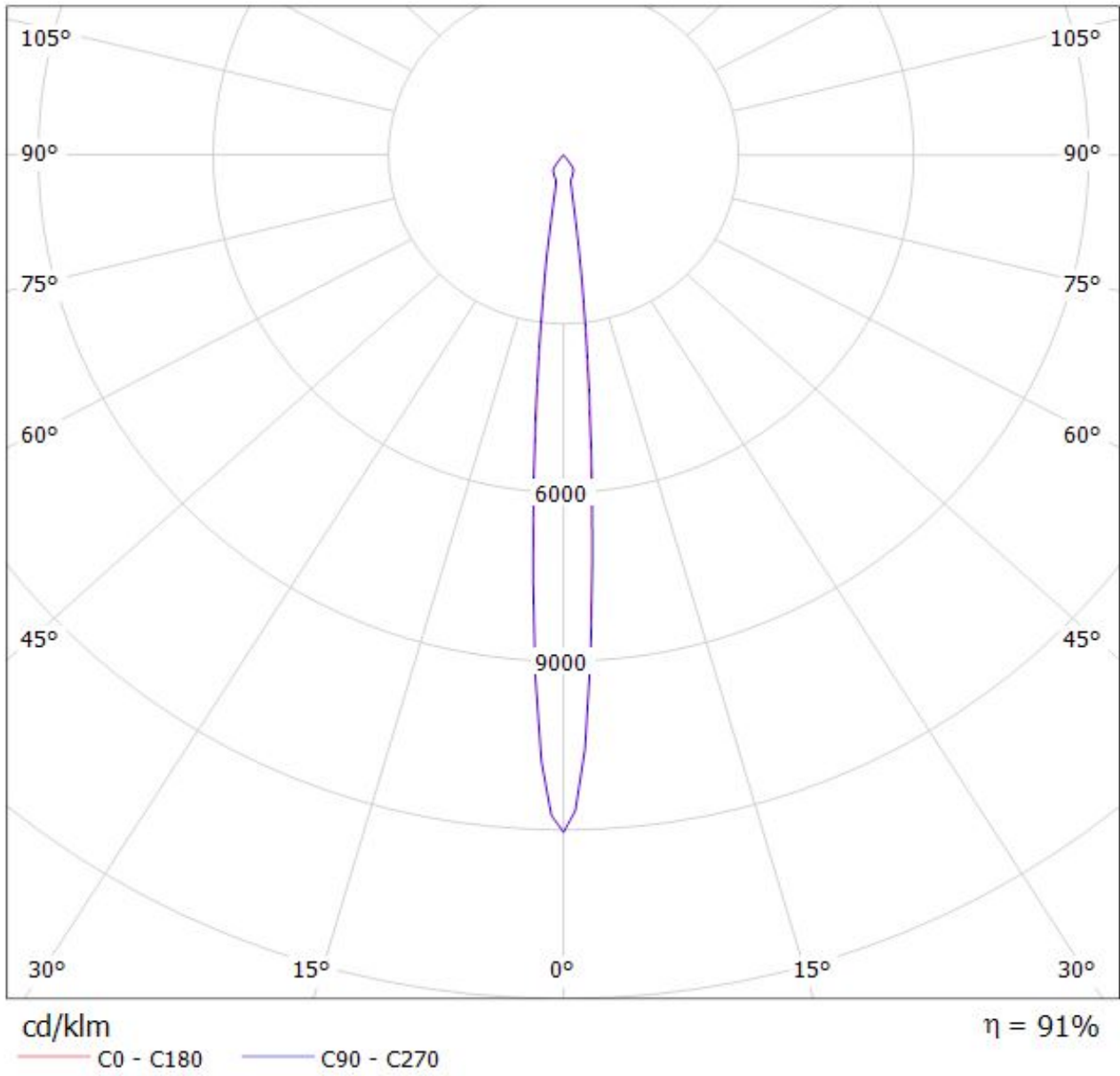
Luminaire: LEDiL Oy CN13196_LENINA-S_(CXA1520)

Lamps: 1 x CREE_CXA1520_(CXA1520-30F-N4-N0H-0001)_972.29@250mA_CCT=3000K_P=8.22841W_I=249.8mA



Luminaire: LEDiL Oy CN13196_LENINA-S_(CXA1520)

Lamps: 1 x CREE_CXA1520_(CXA1520-30F-N4-N0H-0001)_972.29@250mA_CCT=3000K_P=8.22841W_I=249.8mv



NOTE: The typical divergence will be changed by different color, chip size and chip position tolerance. The typical total divergence is the full angle measured where the luminous intensity is half of the peak value.

GENERAL INFORMATION

- Product series especially designed & optimized for series of LEDs.
- Special care taken to make light distribution as uniform as possible.

Note! Due to use of high power COB's with this product, special attention to proper thermal design is highly recommended. LEDiL has no liability for direct, indirect or consecutive damages arising from the LEDiL products being used outside of the recommended temperature range.