

Model No: BC25SC06-04
 Product Line: Tymphany

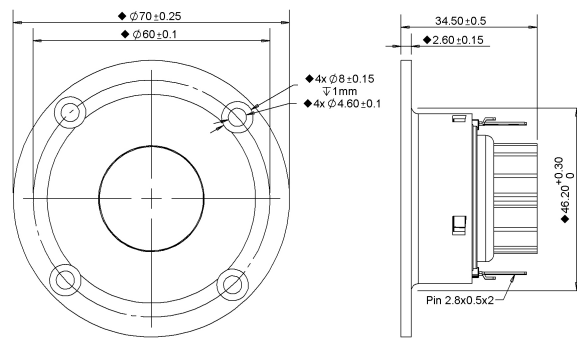
Rev: 1
 Last Update: 2017-04-21 12:39:42

Product Description

The BC family of tweeters features a damped fabric dome for smooth frequency response performance and ferrofluid in the gap of the NdFeB magnet motor, providing enhanced cooling of the voice coil. BC tweeters come with a compact faceplate with recessed mounting holes, and for this driver a finned heat sink has been added to improve power handling.



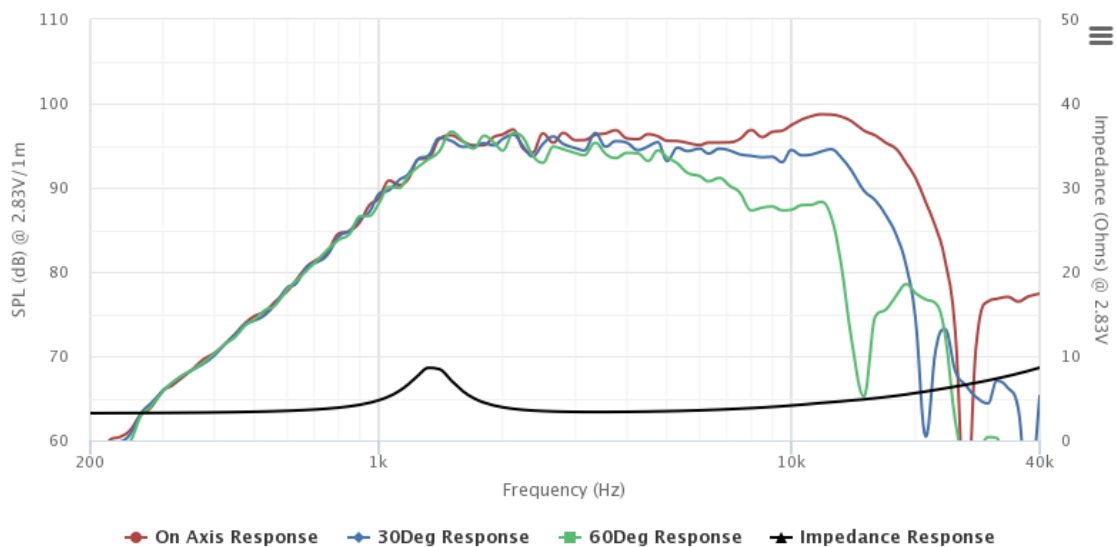
Mechanical Drawing



Specifications

DC Resistance	Revc	Ohms	2.76	5.0%	Energy Bandwidth Product	EBP	(1/Qes)*fs	789.77
Minimum Impedance	Zmin	Ohms	3.37	7.5%	Moving Mass	Mms	g	0.3
Voice Coil Inductance	Le	mH	0.02		Suspension Compliance	Cms	um/N	42.5
Resonant Frequency	Fs	Hz	1394.91	15%	Effective Cone diameter	D	cm	2.5
Mechanical Q Factor	Qms		3.45		Effective Piston Area	Sd	cm ²	4.9
Electrical Q Factor	Qes		1.76		Effective Volume	Vas	L	0
Total Q Factor	Qts		1.17		Motor Force Factor	BL	Tm	2.05
Ratio Fs/Qts	F	Fs/Qts	1197.35		Motor Efficiency Factor	β	(T*M ²)/Ohms	1.5
Half Space Sensitivity @2.83V	db@2.83V/1M	dB	96.17	+/- 1.0db	Voice coil former Material	VCfm		ASV
Half Space Sensitivity @1W/1M	db@1W/1M	dB	92.4	+/- 1.0db	Voice coil inner diameter	VCd	mm	25.4
Gap Height	Gh	mm	2		Rated Noise Power	P	W	25
Maximum Linear Excursion	Xmax	mm	0		Test Spectrum Bandwidth			1300Hz - 20kHz
Ferrofluid Type	FF		APG027		Driver Size	Inch		25 mm
Driver Mass	Kg		0.08					

Frequency and Impedance Response



Highcharts.com