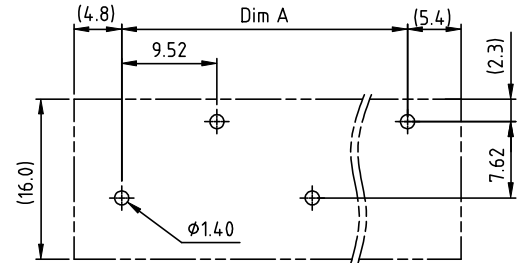
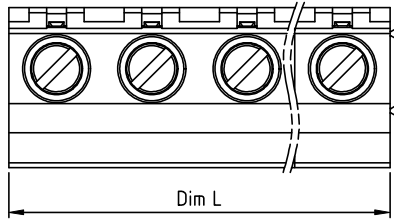
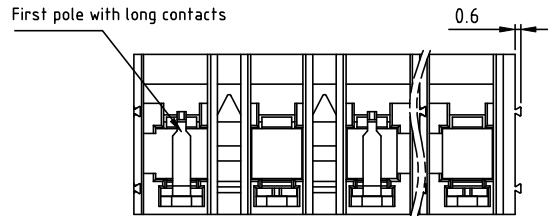
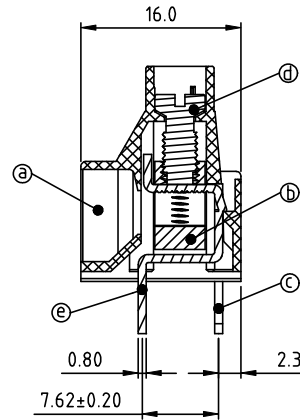
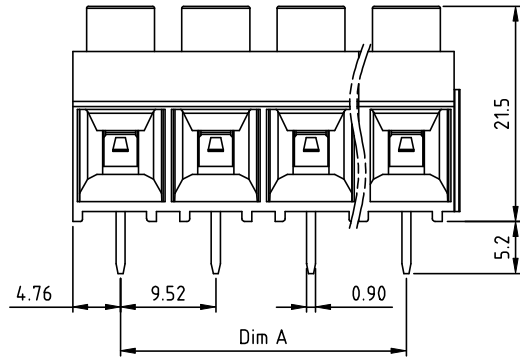




PRODUCT NUMBER	PITCH
KOxx21x100J0G	9.52 mm



RECOMMENDED P.C.B LAYOUT
TOP VIEW



- Material:
- Item a Terminal housing : Thermoplastic (UL94V-0)
 - Item b Clamp : Brass, Ni plated
 - Item c Short pin : Copper , Tin plated (Side Contacts)
 - Item d Terminal screw: Steel Zinc plating "-" slot type
 - Item e Long pin : Copper , Tin plated (Center Contacts)

- Electrical: cULus
- Voltage rating: 600 V
 - Current rating: 30 A
 - Wire range:
 - Solid wire(AWG): 10-24
 - Stranded wire(AWG): 10-24
 - Torque: 5.5 Lb-In
 - Screw: M3.5
 - Wire strip length: 7-8 mm
 - Withstanding Voltage: 2.2KV
 - Operating temperature: -40°C to +115°C
 - Soldering temperature: 260°C±5°C/5 Sec
 - Safety Approval:

PART NO.: KO xx 2 1 x 1 00J0 G

DIMENSION

Dim L	Nx9.52
Dim A	(N-1)x9.52

N=Number of poles

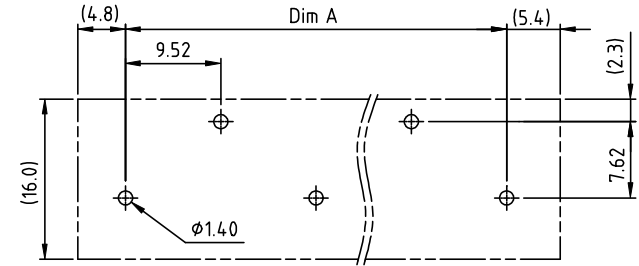
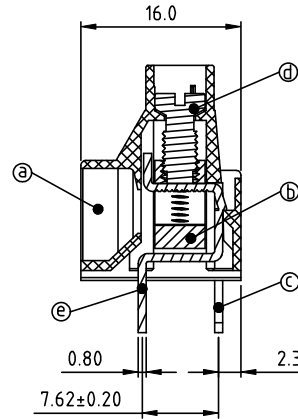
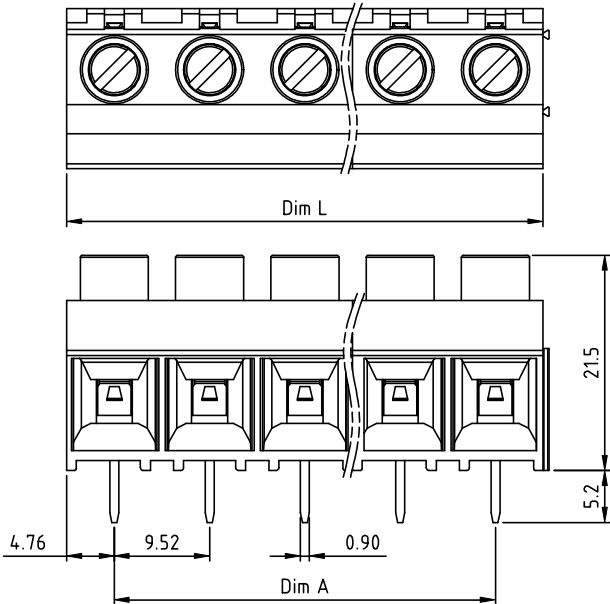
Poles	Tolerance
2p/4p/6p	±0.15
8p/10p/12p	±0.25
14p/16p	±0.35

End Stackable	0	Body Color	Black (RAL9005)	RoHS compliant	(lead<4%)
No. of poles	2		Red (RAL3001/D)	In copper Alloy	
02 2 poles	3		Orange(RAL2011/P)		
04 4 poles	4		Yellow(RAL1018/A)		
...	...		5 Green(RAL6018/T)		
16 16 poles	6		6 Blue (RAL5015/A)		
	8		8 Grey(RAL7035/D)		
	9		9 White(RAL1102)		
	C		Green(RAL6018/U)		

mat'l. code				surface	tolerance	projection	product family	
				ASME Y14.5	ASME Y14.5		TERMINAL BLOCK	
itr ecn no dr date				tolerances unless otherwise specified			title	
				angles			TERMINAL BLOCK	
				X±1°			RISING CLAMP,180D WIRE INLET,INTERLACE TAIL,EVEN POLES	
				X.XX±0.1			scale	
				dr EVIN ZHONG 041414			dwg no sheet 1 of 2 size	
				enr EVIN ZHONG 041414			K0xx21x100J0G A4	
				chr HANKE FENG 041414			type	
				appd SHI JUN 041414			CUSTOMER Drawing	
sheet index	revision sheet	A	1					



PRODUCT NUMBER	PITCH
KOxx21x100J0G	9.52 mm



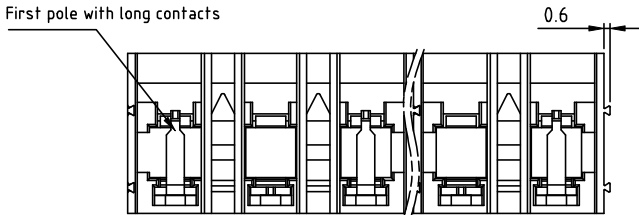
RECOMMENDED P.C.B LAYOUT
TOP VIEW

Material:

- Item a Terminal housing : Thermoplastic (UL94V-0)
- Item b Clamp : Brass, Ni plated
- Item c Short pin : Copper , Tin plated (Side Contacts)
- Item d Terminal screw: Steel Zinc plating "-" slot type
- Item e Long pin : Copper , Tin plated (Center Contacts)

Electrical:

- Voltage rating: 600 V
- Current rating: 30 A
- Wire range:
- Solid wire(AWG): 10-24
- Stranded wire(AWG): 10-24
- Torque: 5.5 Lb-In
- Screw: M3.5
- Wire strip length: 7-8 mm
- Withstanding Voltage: 2.2KV
- Operating temperature: -40°C to +115°C
- Soldering temperature: 260°C±5°C/5 Sec
- Safety Approval:



PART NO.: KO xx 2 1 x 1 00J0 G

DIMENSION

Dim L	N×9.52
Dim A	(N-1)×9.52

N=Number of poles

Poles	Tolerance
3p/5p	±0.15
7p/9p/11p	±0.25
13p/15p	±0.35

End Stackable	0	Body Color	Black (RAL9005)	RoHS compliant	(lead<4%)
No. of poles	2		Red (RAL3001/D)	In copper Alloy	
	03		Orange(RAL2011/P)		
	05		Yellow(RAL1018/A)		
	...		Green(RAL6018/T)		
	...		Blue (RAL5015/A)		
	15		Grey(RAL7035/D)		
			White(RAL1102)		
			Green(RAL6018/U)		

mat'l. code				surface	tolerance	projection	product family		
				ASME Y14.5	ASME Y14.5		TERMINAL BLOCK		
itr				tolerances unless otherwise specified		title			
ecn	no	dr	date			TERMINAL BLOCK			
				angles	X.±0.5	RISING CLAMP,180D WIRE INLET,INTERLACE TAIL,ODD POLES			
				X'±1"	X.X±0.3	scale			
					X.XX±0.1	dwg no			
				dr	EVIN ZHONG	041414	sheet 2 of 2 size		
				enr	EVIN ZHONG	041414	A4		
				chr	HANKE FENG	041414	K0xx21x100J0G		
				appd	SHI JUN	041414	type		
sheet		revision	A			CUSTOMER Drawing			
index	sheet	2							