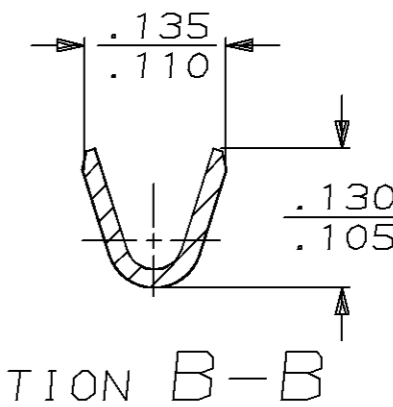
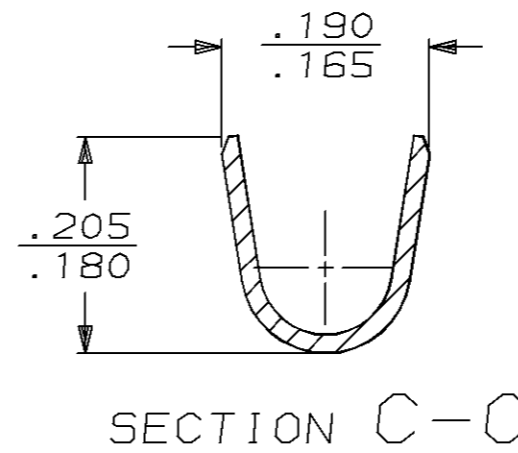
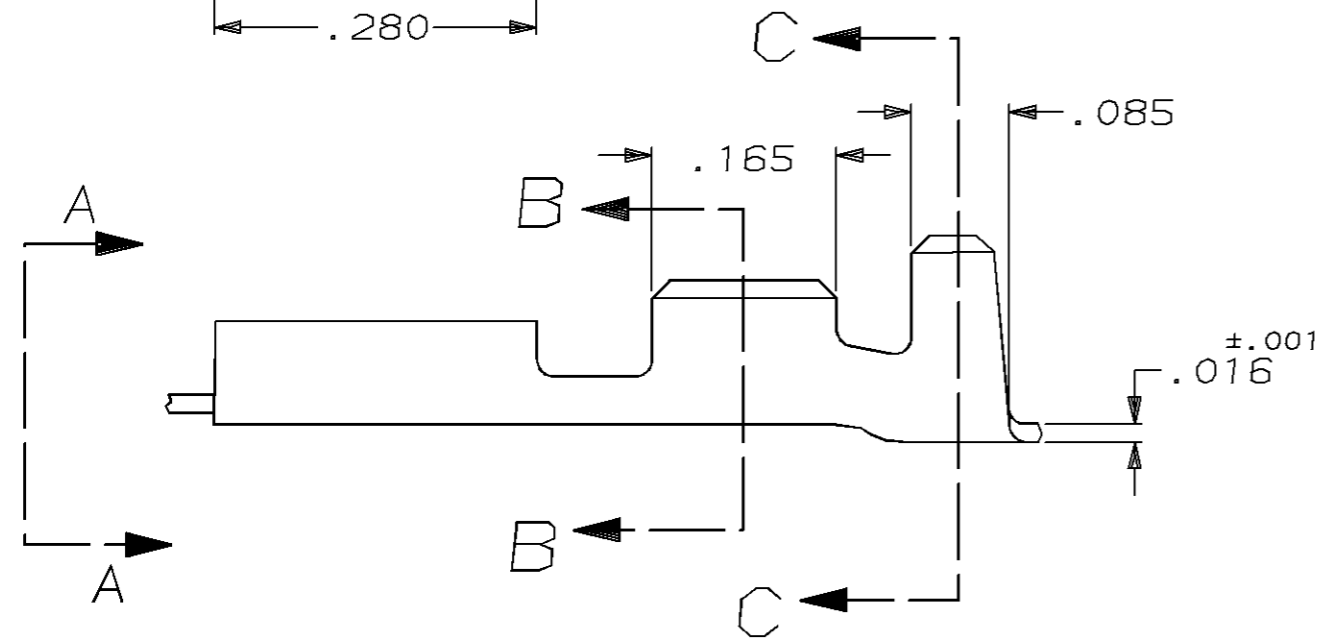
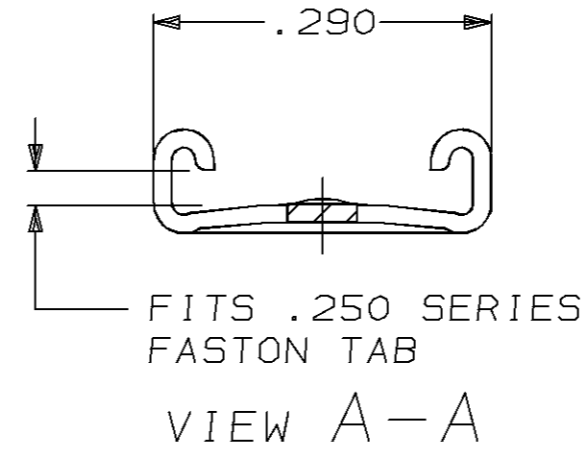
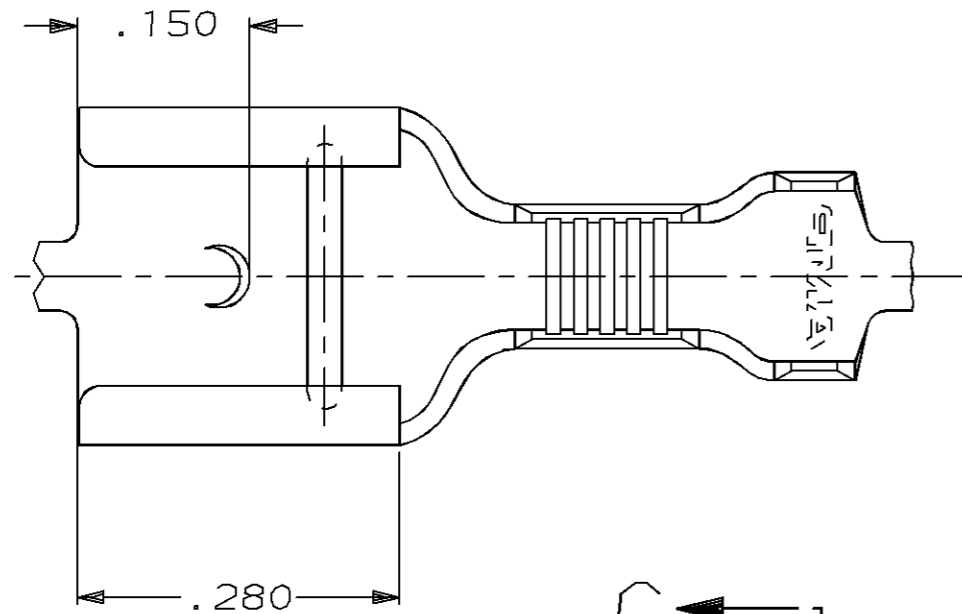


THIS DRAWING IS UNPUBLISHED. RELEASED FOR PUBLICATION, 19
 © COPYRIGHT 19 BY AMP INCORPORATED. ALL INTERNATIONAL RIGHTS RESERVED.

LOC	DIST	P	F	REVISIONS				
AF	50			ZONE	LTR	DESCRIPTION	DATE	APPD
					C	REDRAWN PER 0710-0383-95	JR/PD	8/28/95

1 CONTINUOUS STRIP ON REELS.



.100-.140	1000-3000	23-20	20-16	.020	62080-1
INSULATION RANGE	CMA	2 MAGNET	1 MAGNET	MATING TAB THK ±.001	PART NO
DO NOT SCALE PRINT. UNLESS SPECIFIED DIMENSIONS ARE IN INCHES TOLERANCES ON: 2 PLC DEC ± - 3 PLC DEC ± .015 ANGLES ± -		DR 8/28/95 JR RUTH CHK 8/28/95 MS FEHER APPD 8/28/95 P DESANTIS APPD 8/28/95 R REINER PRODUCT SPEC -		AMP AMP Incorporated Harrisburg, PA 17105-3608	
MATERIAL	H04 BRASS		NAME RECEPTACLE, FASTON, AMPLIVAR, .250 SERIES		
FINISH	-	APPLICATION SPEC 114-2144	WEIGHT -	SIZE B	CAGE CODE 00779
				DRAWING NO 62080	SHEET 1 OF 1
				SCALE 6:1	